

PART #	DESCRIPTION	QTY	REMARKS
AUD0003-2	Shaft, Main, steel, hollow	1	
AUD0006-2	Swashplate Link Assembly		
	Swashplate Link	1	
	Elevator Arm Pin	1	
	Ball Link, Short (AUD2004)	1	
AUD0021L	Canopy Standoff, Long	2	Mounts on AUD3014SS
AUD0021S	Canopy Standoff, Short	2	Mounts on AUD3014SS
AUD0027-2	Elevator Control Assembly		Combines AUD0006-2, AUD0058 and AUD0059
	Swashplate Link	1	
	Elevator Arm Pin	1	
	Ball Link, Short (AUD2004)	1	
	Elevator Link	1	
	Bushing, Nylon	2	
	Elevator Lever	1	
	Screw, Set (AUD3006SS)	2	
	Bolt, Allen Head (AUD2620AH)	1	
	Nut, Nylon Locking (AUD26NL)	1	
	Joint Ball (AUD2002)	1	
	Screw, Phillips Head (AUD2008PH)	1	
	Nut, Hex (AUD20HN)	1	
AUD0029-2	Main Frame Set	1	
AUD0030-2	Radio Platform, Long	1	AUD0030, Short (for aft CG - 3D flight)
AUD0031-1	Main Gear 1, Lower	1	
AUD0031-2	Main Gear 2, Upper	1	
AUD0032	Autorotation Assembly		
	Snap Ring, M11	1	
	Washer, Flat	2	
	Clutch, One-Way, Autorotation	1	
	Housing	1	
	Autorotation Shaft	1	
	Bolt, Allen Head (AUD3022AH)	1	
	Nut, Nylon Locking (AUD30NL)	1	
AUD0052-2	Gyroscope Platform Assembly		
	Gyroscope Platform	1	
	Swashplate Anti-Rotation Guide	1	
AUD0056	Bearing Block (all 4 are the same)	1	Mounts with 4 ea. AUD3010AH
AUD0057	Bearing Block, Offset	1	Mounts with 4 ea. AUD3010AH
AUD0058	Elevator Link Assembly		
	Elevator Link	1	
	Bushing *	2	* Option: AUD3078 Bearing
AUD0059	Elevator Lever Assembly		
	Elevator Lever	1	
	Screw, Set (AUD3006SS)	2	
	Bolt, Allen Head (AUD2620AH)	1	
	Nut, Nylon Locking (AUD26NL)	1	
	Joint Ball (AUD2002)	1	
	Screw, Phillips Head (AUD2008PH)	1	
	Nut, Hex (AUD20HN)	1	
AUD0060	Servo Shaft Stabilizer Assembly		
	Servo Shaft Stabilizer, plastic	3	
	Stud, Servo, Self-Tapping* (AUD3068ST)	3	* Option: Stud, Servo, Machine-Thread AUD3068MT-25 - M2.5mm AUD3068MT-30 - M3.0mm
	Bearing (AUD3073)	3	
	Bolt, Allen Head (AUD2015AH)	6	
AUD1003	Rubber Grommet, Switch	2	
AUD1012-2	Servo Support Boss Assembly		
	Servo Support Boss, aluminum	1	
	Screw, Set (AUD3014SS)	1	
AUD1013	Main Shaft Collar Assembly		
	Main Shaft Collar	1	
	Screw, Set (AUD4004SS)	3	
AUD3068ST	Stud, Servo, Self-Tapping*	3	* Option: Stud, Servo, Machine-Thread



AUD4004SS

AUD0001

AUD3006BH

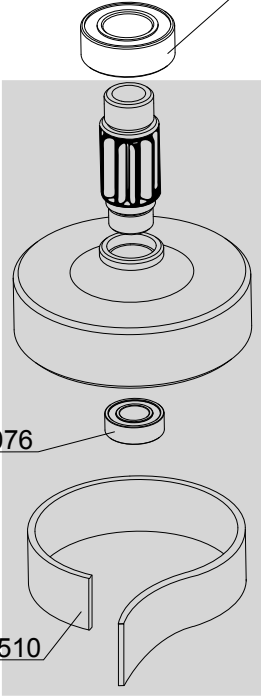
AUD30FW

AUD3077

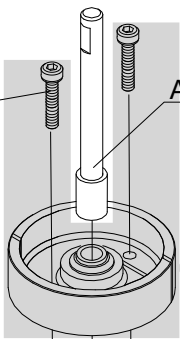
AUD0002

AUD3008

AUD0035-2

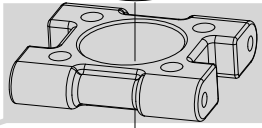


AUD0026-2



AUD0038

AUD3081



AUD0056

AUD3076

AUD0037-2

AUD0061

AUD1011-2

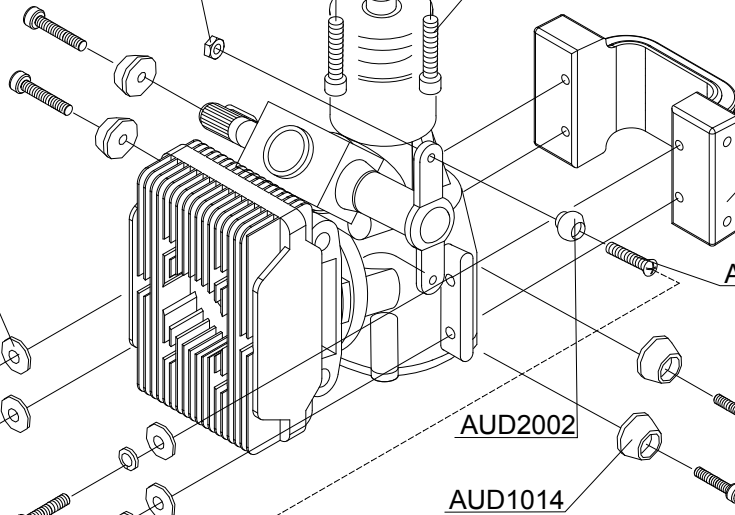
AUD1510

AUD0036-2

AUD3080

AUD20HN

AUD3008



AUD0034

AUD30FW

AUD2008PH

AUD30LW

AUD2002

AUD3015

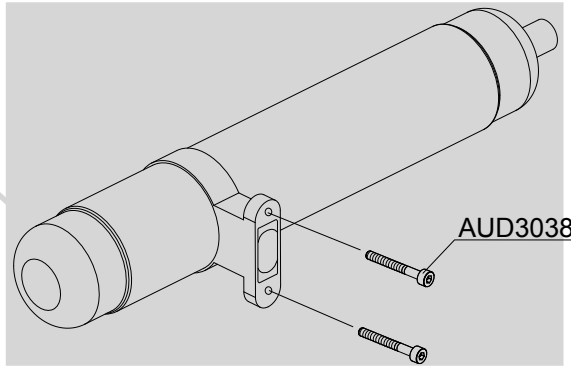
AUD3012

AUD1014

AUD2350R

PDR0053

AUD2003

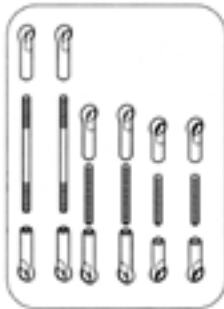


AUD3038



<i>PART #</i>	<i>DESCRIPTION</i>	<i>QTY</i>	<i>REMARKS</i>
AUD0001	Hex Start Adapter Assembly		
	Hex Start Adapter	1	
	Screw, Set (AUD4004SS)	1	
AUD0002	Front Tail Belt Pulley Assembly		
	Pulley, Front	1	
	Bolt, Button Head (AUD3006BH)	1	
	Washer, Flat (AUD30FW)	1	
AUD0026-2	Clutch Bell Assembly		
	Clutch Bell	1	
	Gear, Tail Pinion	1	
	Bearing (AUD3076)	1	
	Clutch Lining (AUD1510)	1	
AUD0034	Engine Mount, OS 50SX bolt pattern	1	
AUD0035-2	Shaft, Start	1	
AUD0036-2	Fan, Cooling	1	
AUD0037-2	Fan Hub	1	
AUD0038	Clutch Assembly		
	Clutch	1	
	Bolt, Allen Head (AUD3008AH)	2	
AUD0056	Bearing Block	1	Mounts with 4 ea. AUD3010AH
AUD0061	Engine to Fan Hub Mounting Kit		
	Nut, Tapered, Engine - 1/4-28"	1	
	Collet, Split, brass	1	
AUD1011-2	Gear, Counter	1	
AUD1014	Washer, Dress	4	
AUD1510	Clutch Lining	1	
AUD3072	Bearing	1	





AUD0025U-2

AUD3066

AUD3015

AUD1015-2K

AUD3069

AUD1015-2

AUD2002

AUD3071

AUD2010PH

AUD0004-2

AUD2003

AUD3068ST

AUD2340R

AUD3064

AUD1001

AUD0039

AUD2010PH

AUD2013PH

AUD2002

AUD2010PH

AUD2330R

AUD3068ST

AUD2003

AUD0003-2

AUD2003

AUD2360R

AUD3068ST\*

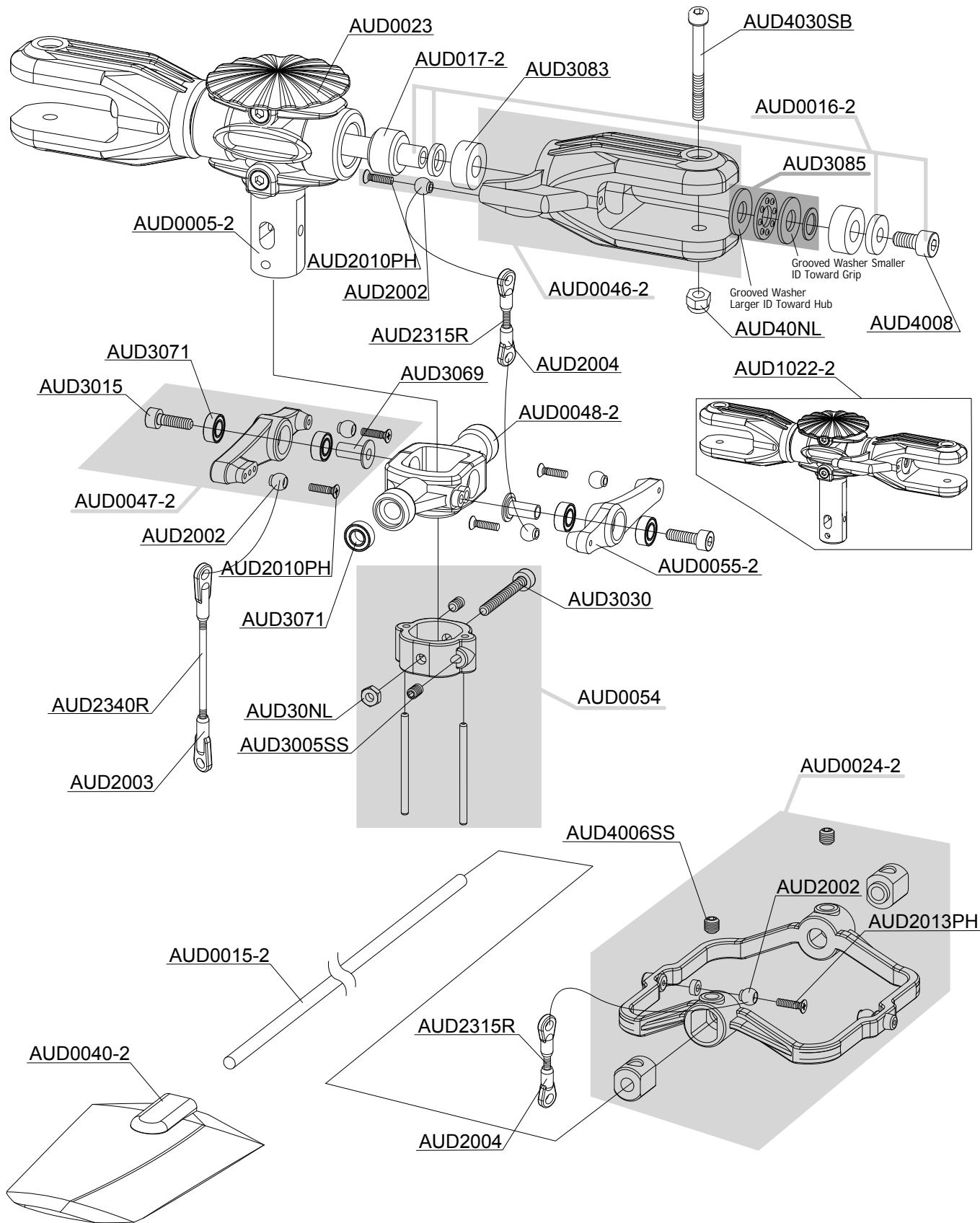
AUD2012PH

\* Option: Machine-thread studs  
 AUD3068MT-25 - 2.5mm  
 AUD3068MT-30 - 3.0mm



PART #	DESCRIPTION	QTY	REMARKS
AUD0003-2	Shaft, Main, steel, hollow	1	
AUD0004-2	Washout Base	1	
AUD0025U-2	Upper Linkage Set		
	Ball Link, Long	8	
	Ball Link, Short	4	
	Threaded Rod (AUD2330TR)	2	
	Threaded Rod (AUD2340TR)	2	
	Threaded Rod (AUD2360TR)	2	
AUD0039	120° Swashplate Assembly		
	Swashplate	1	
	Ball Arm	3	
	Joint Ball (AUD2002)	4	
	Screw, Phillips Head (AUD2010PH)	2	
	Screw, Phillips Head (AUD2013PH)	2	
AUD1001	Washout Link Assembly		
	Washout Link	2	
	Spring Pin (AUD3066)	2	
	Nut, Push (AUD3064PN)	4	
AUD1015-2	Washout Arm	2	
AUD1015-2K	Washout Arm Assembly		
	Washout Arm (AUD1015-2)	2	
	Bearing (AUD3071)	4	
	Arm Shaft (AUD3069)	2	
	Bolt, Allen Head (AUD3015AH)	2	
	Joint Ball (AUD2002)	2	
	Screw, Phillips Head (AUD2010PH)	2	
AUD3068ST	Stud, Servo, Self-Tapping*	3	* Option: Stud, Servo, Machine-Thread AUD3068MT-25 - M2.5mm AUD3068MT-30 - M3.0mm



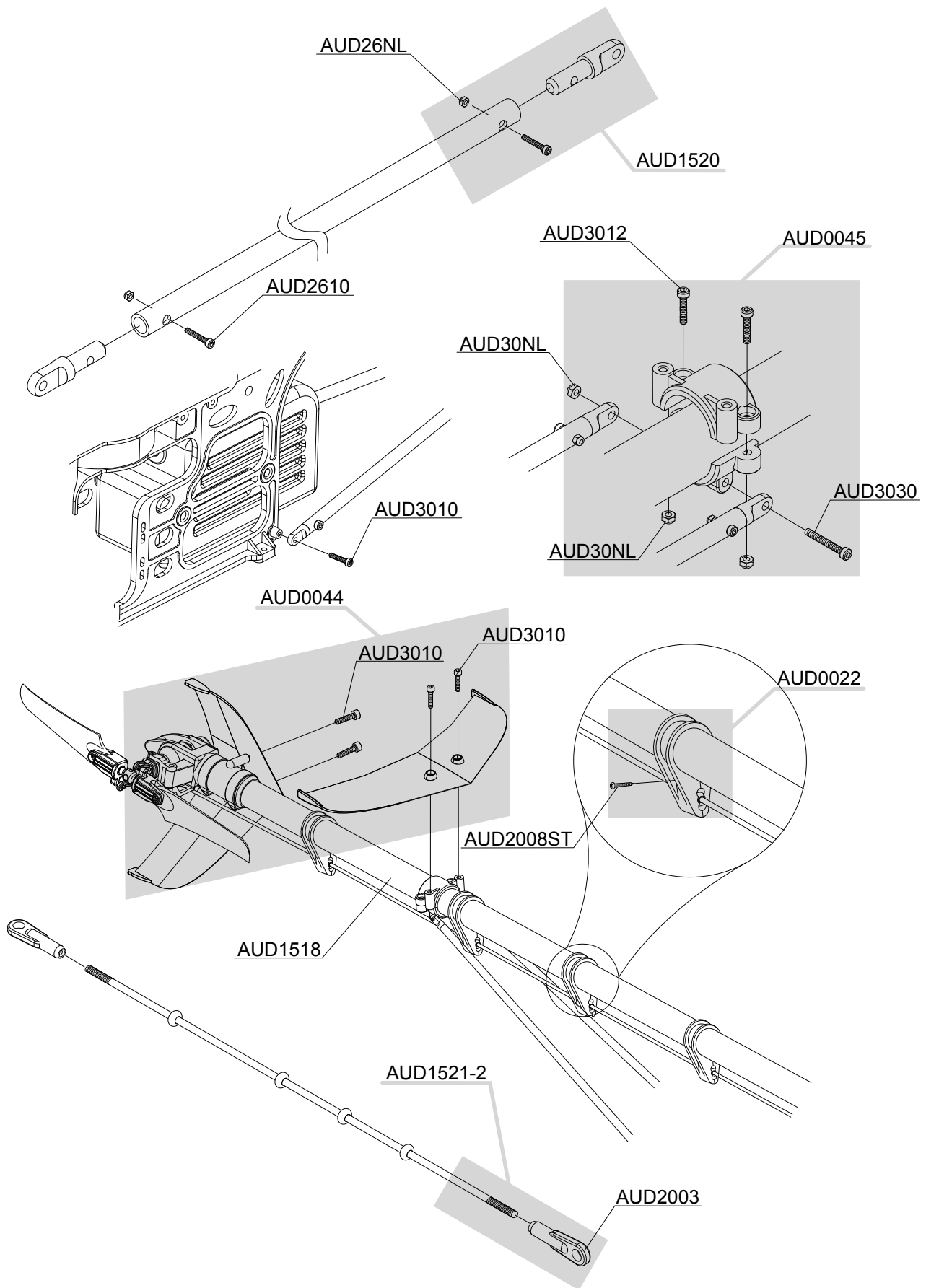




PART #	DESCRIPTION	QTY	REMARKS
AUD0005-2	Center Hub, aluminum	1	
AUD0015-2	Flybar, 4mm	1	Option: PDR0066-2 3D Flybar
AUD0016-2	Spindle Shaft Assembly		
	Shaft, Spindle	1	
	Spacer	2	Steel, fits between grip and damper
	Washer, Spindle	2	M4x11x2, steel, high strength
	Allen Head Bolt (AUD4008AH)	2	
AUD0017-2	Damper, 6mm ID	2	Urethane, High Performance
AUD0023	Main Rotor Hub	1	
AUD0024-2	Hiller Control Lever Assembly		
	Hiller Control Lever	1	
	Flybar Stopper, aluminum (M2x4x5)	2	
	Bushing, Black* (M2x4x3)	2	* Option: Up to two per side
	Screw, Set (AUD4006SS)	2	
	Joint Ball (AUD2002)	2	
	Screw, Phillips Head (AUD2013PH)	2	
AUD0040-2	Flybar Paddle	2	3D, aft position is more aggressive
AUD0046-2	Main Blade Grip Assembly		
	Main Blade Grip	2	
	Joint Ball (AUD2002)	2	
	Screw, Phillips Head (AUD2010PH)	2	
AUD0046-2K	Grip/Spindle Kit		
	Spindle Shaft Assembly (AUD0016-2)	1	
	Main Blade Grip Assembly (AUD0046-2)	1	
	Damper (AUD0017-2)	2	
	Bearing (AUD3083)	4	
	Bearing, Thrust (AUD3085)	2	
AUD0047-2	Seesaw Arm Assembly		
	Seesaw Arm (AUD0055-2)	2	
	Joint Ball (AUD2002)	4	
	Bolt, Allen Head (AUD3015AH)	2	
	Screw, Phillips Head (AUD2010PH)	4	
	Bearing (AUD3071)	4	
	Shaft, Seesaw Arm	2	
AUD0048-2	Seesaw	1	
AUD0054	Rotor Hub Adapter Assembly		
	Rotor Hub Adapter	1	
	Washout Guide Pin	2	
	Bolt, Allen Head (AUD3020AH)	1	
	Screw, Set (AUD3005SS)	1	
	Nut, Nylon Locking (AUD30NL)	1	
AUD0055-2	Seesaw Arm	2	
AUD1022-2	Rotor Head Assembly		
	Main Rotor Hub (AUD0023)	1	
	Center Hub (AUD0005-2)	1	
	Spindle Shaft Assembly (AUD0016-2)	1	
	Main Blade Grip Assembly (AUD0046-2)	2	
	Damper (AUD0017-2)	2	
	Bearing (AUD3083)	4	
	Bearing, Thrust (AUD3085)	2	

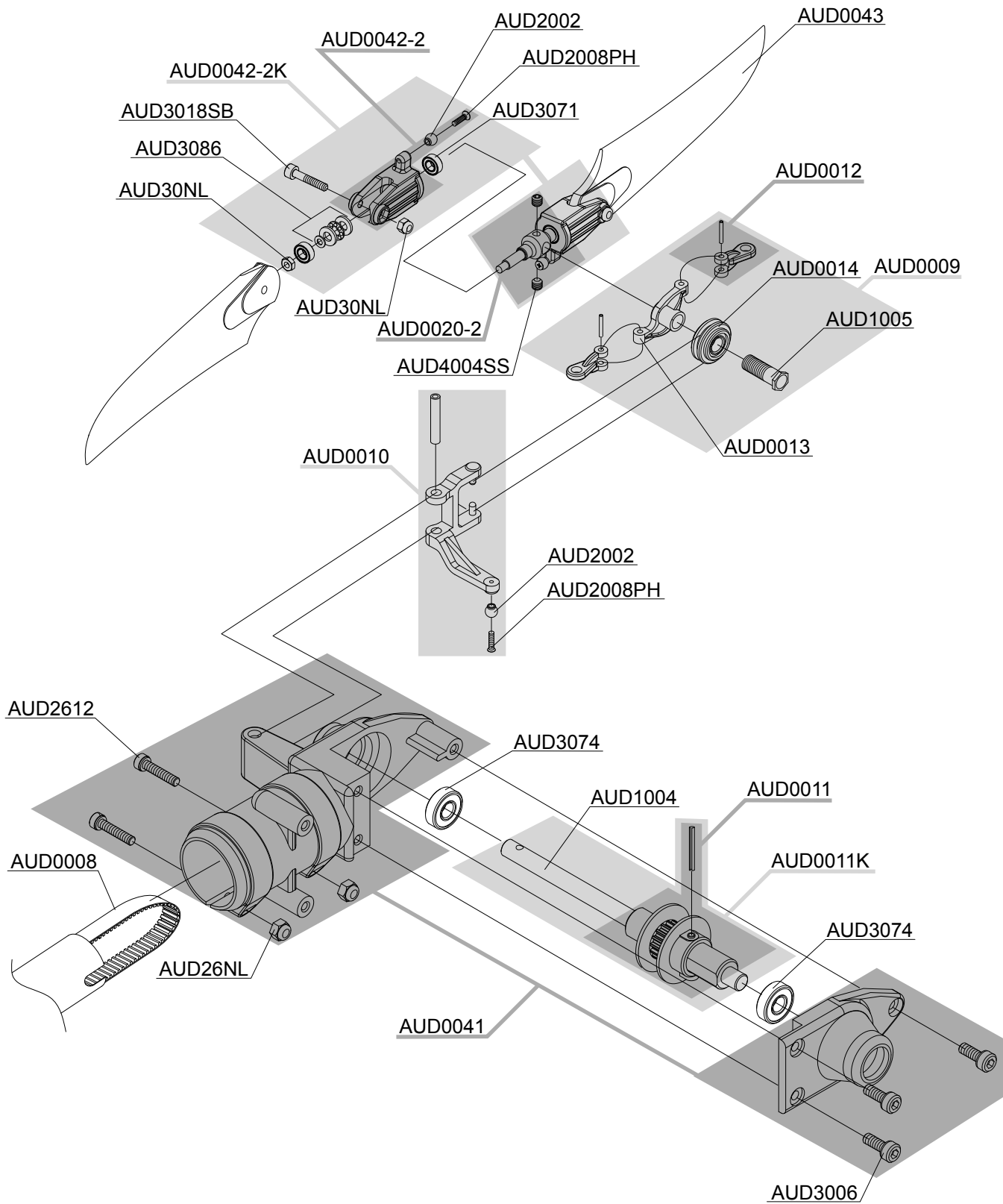






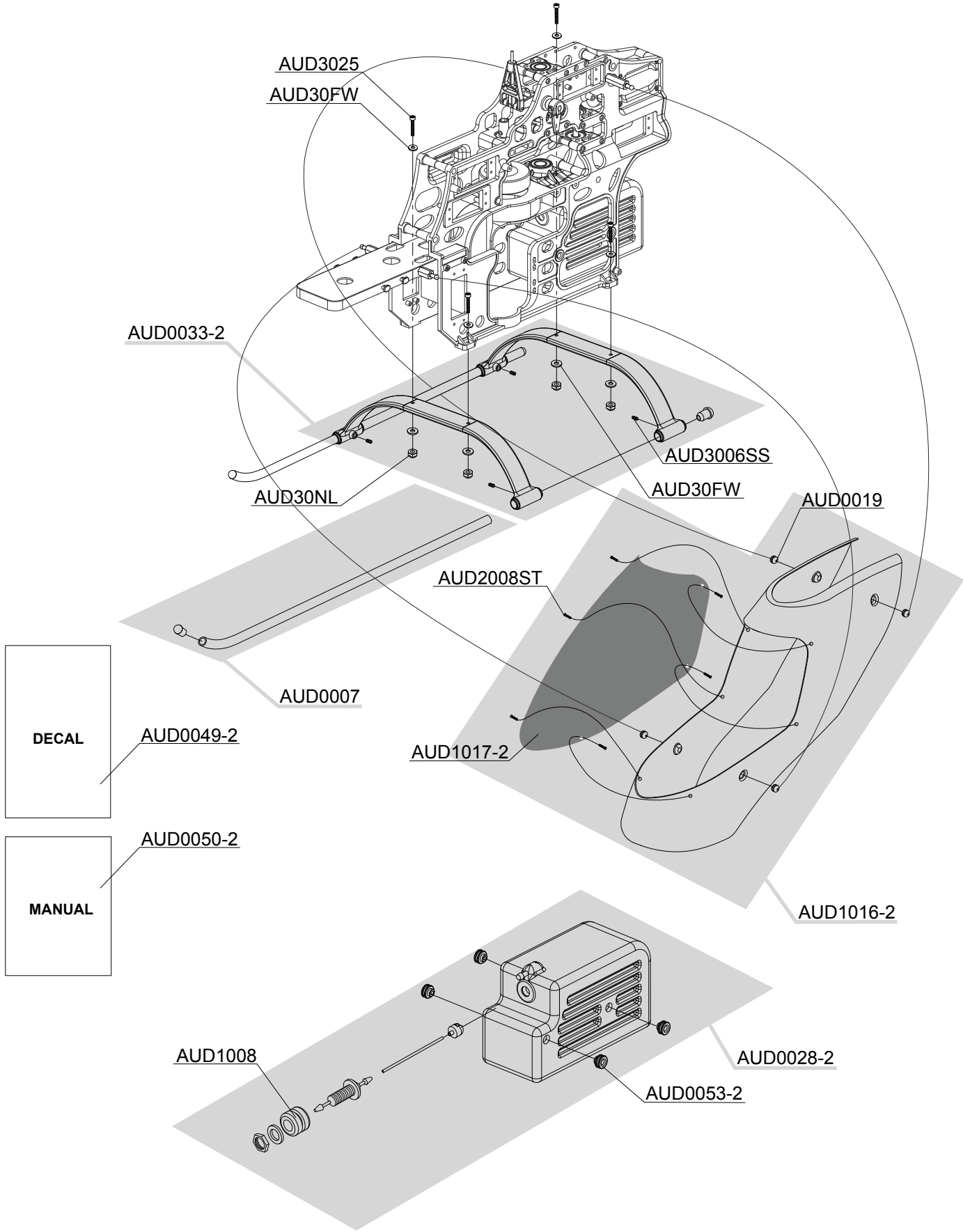
<i>PART #</i>	<i>DESCRIPTION</i>	<i>QTY</i>	<i>REMARKS</i>
AUD0022	Push Rod Guide Assembly		Red color
	Push Rod Guide	4	
	Bushing, Push Rod, nylon, red	4	
	Screw, Self Tapping (AUD2008ST)	4	
AUD0044	Tail Fin Set		
	Fin, Horizontal	1	
	Fin, Vertical	1	
AUD0045	Tail Support Clamp Assembly		
	Tail Support Clamp (Upper)	1	
	Tail Support Clamp (Lower)	1	
	Bolt, Allen Head (AUD3012AH)	2	
	Bolt, Allen Head (AUD3030AH)	1	
	Nut, Nylon Locking (AUD30NL)	3	
AUD1518	Tail Boom, aluminum	1	
AUD1520	Tail Boom Support Assembly		
	Aluminum Boom Support	2	
	Boom Support Ends	4	
	Bolt, Allen Head (AUD2610AH)	4	
	Nut, Nylon Locking (AUD26NL)	4	
AUD1521-2	Tail Rotor Push Rod Assembly		
	Tail Rotor Push Rod	1	
	Ball Link End (AUD2003)	2	





<i>PART #</i>	<i>DESCRIPTION</i>	<i>QTY</i>	<i>REMARKS</i>
AUD0008	Tail Drive Belt	1	
AUD0009	Tail Slide Ring Assembly		
	Tail Pitch Link Assembly (AUD0012)	1	
	Tail Pitch Plate (AUD0013)	1	
	Tail Slide Ring (AUD0014)	1	
	Tail Slide Ring Sleeve (AUD1004)	1	
AUD0010	Tail Pitch Control Lever Assembly		
	Tail Pitch Control Lever	1	
	Bushing	1	
	Joint Ball (AUD2002)	1	
	Phillips Head Screw (AUD2008PH)	1	
AUD0011	Tail Pulley Assembly		
	Tail Pulley	1	
	Spring Pin (AUD3066)	1	
AUD0011K	Tail Pulley/Output Shaft Kit		
	Tail Pulley Assembly (AUD0011)	1	
	Shaft, Tail Output (AUD1004)	1	
AUD0012	Tail Pitch Link Assembly		
	Tail Pitch Link	2	
	Tail Pitch Link Pin	2	
AUD0013	Tail Pitch Plate	1	
AUD0014	Tail Slide Ring	1	
AUD0020-2	Tail Rotor Center Hub Assembly		
	Tail Rotor Center Hub	1	
	Screw, Set (AUD4004SS)	2	
AUD0041	Tail Gear Case Assembly		
	Tail Gear Case (Right)	1	
	Tail Gear Case (Left)	1	
	Bolt, Allen Head (AUD2612AH)	2	
	Bolt, Allen Head (AUD3006AH)	3	
	Nut, Nylon Locking (AUD26NL)	2	
AUD0042-2	Tail Rotor Grip Assembly		
	Grip, Tail Rotor Blade	2	
	Joint Ball (AUD2002)	2	
	Screw, Phillips Head (AUD2008PH)	2	
AUD0042-2K	Tail Rotor Grip Assembly		
	Tail Blade Grip Assembly (AUD0042-2)	1	
	Tail Rotor Center Hub Assembly (AUD0020-2)	1	
	Bearing (AUD3071)	4	
	Bearing, Thrust (AUD3086)	2	
	Bolt, Shoulder (AUD3018S8)	2	
	Nut, Nylon Locking (AUD30NL)	4	
AUD0043	Tail Rotor Blades	2	High Performance, Scimitar, nylon
AUD1004	Shaft, Tail Output	1	
AUD1005	Tail Slide Ring Sleeve	1	





<i>PART #</i>	<i>DESCRIPTION</i>	<i>QTY</i>	<i>REMARKS</i>
AUD0007	Landing Skid Assembly		
	Landing Skid	2	
	Skid Cap	4	
AUD0019	Canopy Rubber Mounting Grommet	4	
AUD0028-2	Fuel Tank Assembly		
	Fuel Tank	1	
	Clunk	1	
	Silicone Fuel Tubing	1	
	Nipple	1	
	Fuel Tank Washer	1	
	Fuel Tank Rubber Bung (AUD1008)	1	
	Flat Nut (M7)	1	
	Fuel Tank Mounting Grommet (AUD0053-2)	4	
AUD0033-2	Landing Gear Strut Assembly		
	Landing Gear Strut	2	
	Set Screw (AUD3006SS)	4	
AUD0049-2	Decal Set	1	
AUD0050-2	Manual	1	
AUD0053-2	Fuel Tank Mounting Grommet	4	
AUD1008	Fuel Tank Rubber Bung	1	
AUD1016-2	Canopy Assembly		
	Canopy (Body, Plastic, White)	1	
	Windscreen (AUD1017-2)	1	
	Self-Tapping Screw (AUD2008ST)	6	
	Canopy Mounting Grommet (AUD0019)	4	
AUD1017-2	Windscreen Assembly		
	Windscreen (Smoked Plastic, Translucent)	1	
	Self-Tapping Screw (AUD2008ST)	6	



<b>BALL LINKS &amp; BALL JOINTS</b>		
PART #	DESCRIPTION	QTY
AUD2002	Ball Joint Set, Stainless Steel	
	Ball Joint	5
	Screw, Phillips Head (M2x10), AUDM2010PH	5
AUD2003	Ball Link End, Long, nylon, black	10
AUD2004	Ball Link End, Short, nylon, black	5

<b>BOLTS, ALLEN HEAD</b>		
PART #	DESCRIPTION	QTY
AUD2015AH	Bolt, Allen Head (M2x15)	2
AUD2610AH	Bolt, Allen Head (M2.6x10)	2
AUD2612AH	Bolt, Allen Head (M2.6x12)	2
AUD2620AH	Bolt, Allen Head (M2.6x20)	2
AUD3006AH	Bolt, Allen Head (M3x6)	2
AUD3008AH	Bolt, Allen Head (M3x8)	2
AUD3010AH	Bolt, Allen Head (M3x10)	2
AUD3012AH	Bolt, Allen Head (M3x12)	2
AUD3015AH	Bolt, Allen Head (M3x15)	2
AUD3022AH	Bolt, Allen Head (M3x22)	2
AUD3025AH	Bolt, Allen Head (M3x25)	2
AUD3030AH	Bolt, Allen Head (M3x30)	2
AUD3038AH	Bolt, Allen Head (M3x38)	2
AUD4008AH	Bolt, Allen Head (M4x8)	2

<b>BOLTS, ALLEN HEAD, SHOULDER</b>		
PART #	DESCRIPTION	QTY
AUD3018SB	Bolt, Allen Head, Shoulder (M3x18)	2
AUD3025SB	Bolt, Allen Head, Shoulder (M3x25)	2
AUD4030SB	Bolt, Allen Head, Shoulder (M4x30)	2

<b>BOLTS, BUTTON HEAD</b>		
PART #	DESCRIPTION	QTY
AUD3006BH	Bolt, Button Head (M3x6)	2
AUD3010BH	Bolt, Button Head (M3x10)	2

<b>SCREWS, PHILLIPS HEAD</b>		
PART #	DESCRIPTION	QTY
AUD2008PH	Screw, Phillips Head (M2x8)	5
AUD2010PH	Screw, Phillips Head (M2x10)	5
AUD2012PH	Screw, Phillips Head (M2x12)	2
AUD2013PH	Screw, Phillips Head (M2x13)	2

<b>SCREWS, SELF TAPPING</b>		
PART #	DESCRIPTION	QTY
AUD2008ST	Screw, Self Tapping (M2x8)	2

<b>SCREWS, SET</b>		
PART #	DESCRIPTION	QTY
AUD3004SS	Screw, Set (M3x4)	2
AUD3005SS	Screw, Set (M3x5)	2
AUD3006SS	Screw, Set (M3x6)	2
AUD3014SS	Screw, Set (M3x14)	2
AUD4004SS	Screw, Set (M4x4)	2
AUD4006SS	Screw, Set (M4x6)	2

<b>RODS, THREADED</b>		
PART #	DESCRIPTION	QTY
AUD2315TR	Threaded Rod (M2.3x15)	2
AUD2330TR	Threaded Rod (M2.3x30)	2
AUD2340TR	Threaded Rod (M2.3x40)	2
AUD2350TR	Threaded Rod (M2.3x50)	2
AUD2360TR	Threaded Rod (M2.3x60)	2

<b>NUTS, NYLON LOCKING</b>		
PART #	DESCRIPTION	QTY
AUD26NL	Nut, Nylon Locking (M2.6)	2
AUD30NL	Nut, Nylon Locking (M3)	2

<b>NUTS, HEX</b>		
PART #	DESCRIPTION	QTY
AUD20HN	Nut, Hex (M2)	2
AUD30HN	Nut, Hex (M3)	2

<b>NUTS, PUSH</b>		
PART #	DESCRIPTION	QTY
AUD3064PN	Nut, Push (M2)	2

<b>WASHERS, FLAT</b>		
PART #	DESCRIPTION	QTY
AUD30FW	Washer, Flat (M3)	2

<b>WASHERS, LOCK</b>		
PART #	DESCRIPTION	QTY
AUD30LW	Washer, Lock (M3)	2

<b>SPRING PINS</b>		
PART #	DESCRIPTION	QTY
AUD3066	Spring Pin	2

<b>STUDS, SERVO OUTPUT SHAFT</b>		
PART #	DESCRIPTION	QTY
AUD3068ST	Stud, Self Tapping	3
AUD3068MT-25	Stud, Machine Thread, M2.5	3
AUD3068MT-30	Stud, Machine Thread, M3	3

<b>ARM SHAFTS</b>		
PART #	DESCRIPTION	QTY
AUD3069	Arm Shaft	1

<b>BEARINGS</b>		
PART #	DESCRIPTION	QTY
AUD3071	Bearing, M4x8x3	1
AUD3072	Bearing, Oneway M6x10x12	1
AUD3073	Bearing, M3x6x2.5	1
AUD3074	Bearing, M5x13x4	1
AUD3076	Bearing, M6x12x4	1
AUD3077	Bearing, M10x19x7	1
AUD3078	Bearing, M5x8x3	1
AUD3080	Bearing, M5X19X6	1
AUD3081	Bearing, M6x19x6	1
AUD3083	Bearing, M6x13x5	1
AUD3085	Thrust Bearing, 6mm	2
AUD3086	Thrust Bearing, 4mm	2

