



Parts List

Knight 3D

Version 2.0/2009

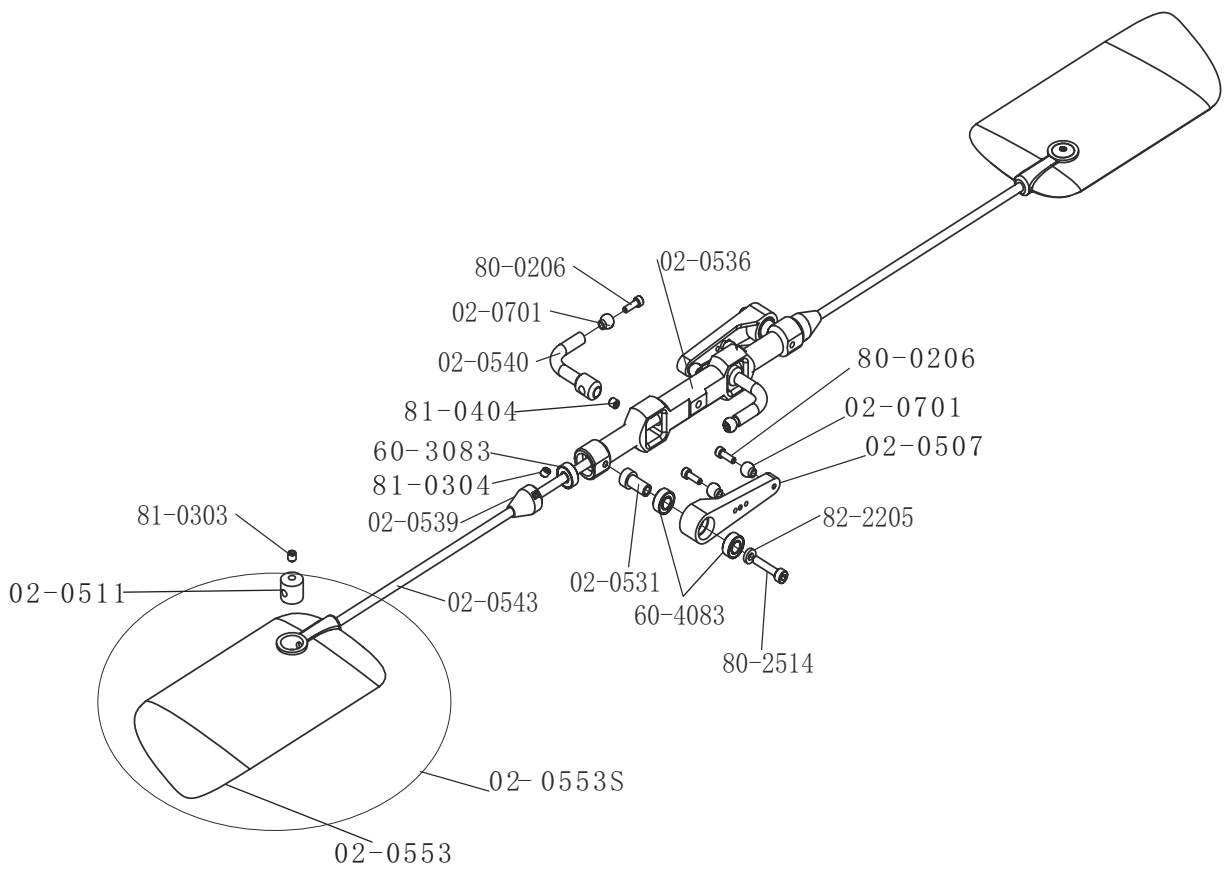
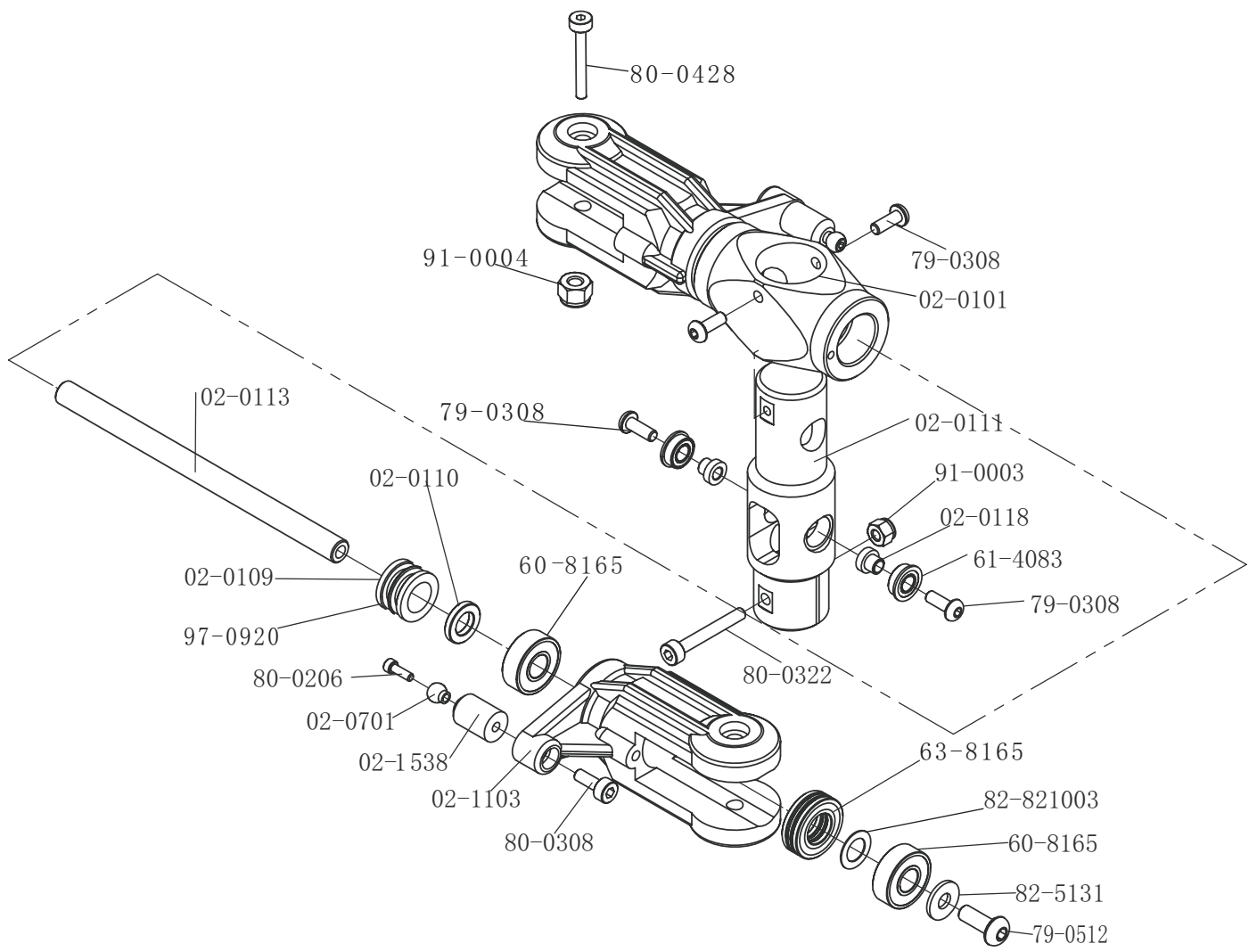


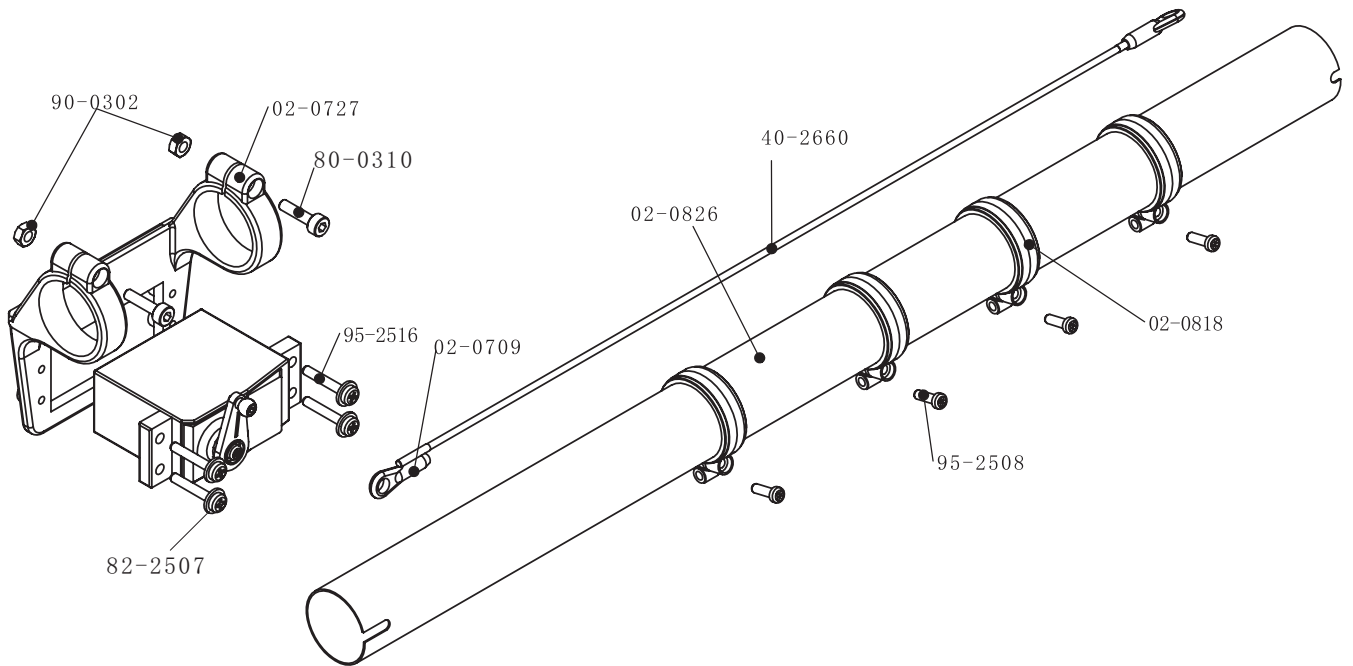
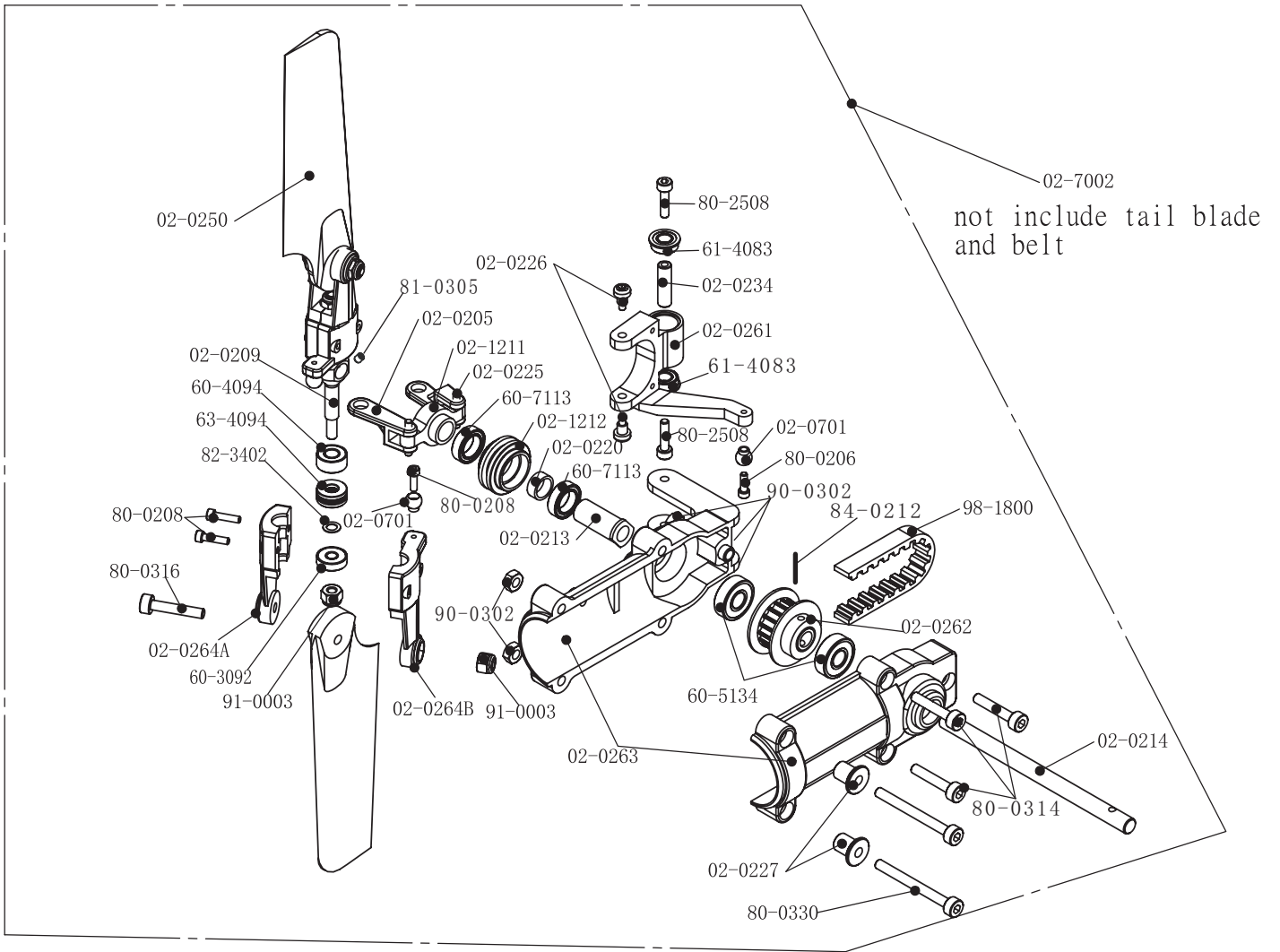
How to order your parts!

1. Check part number on the drawing
2. Use the part number to find the ORDER number on the list
3. Only use ORDER number for your parts order

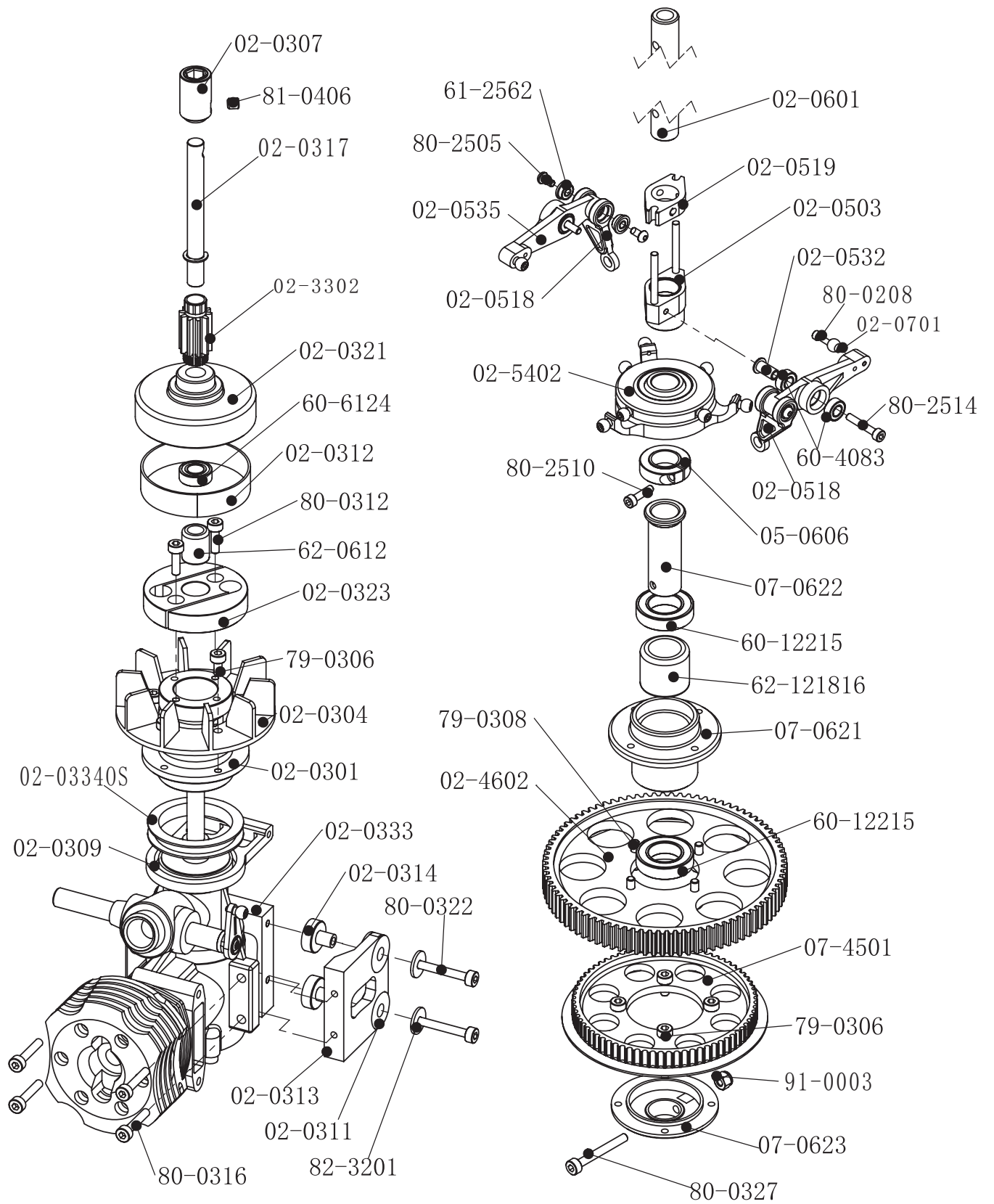
Copyright Compass Model 2008

As we continue to improve our products; this parts list may not reflect all recent product amendments.
For more information, please refer to; www.compassmodel.com

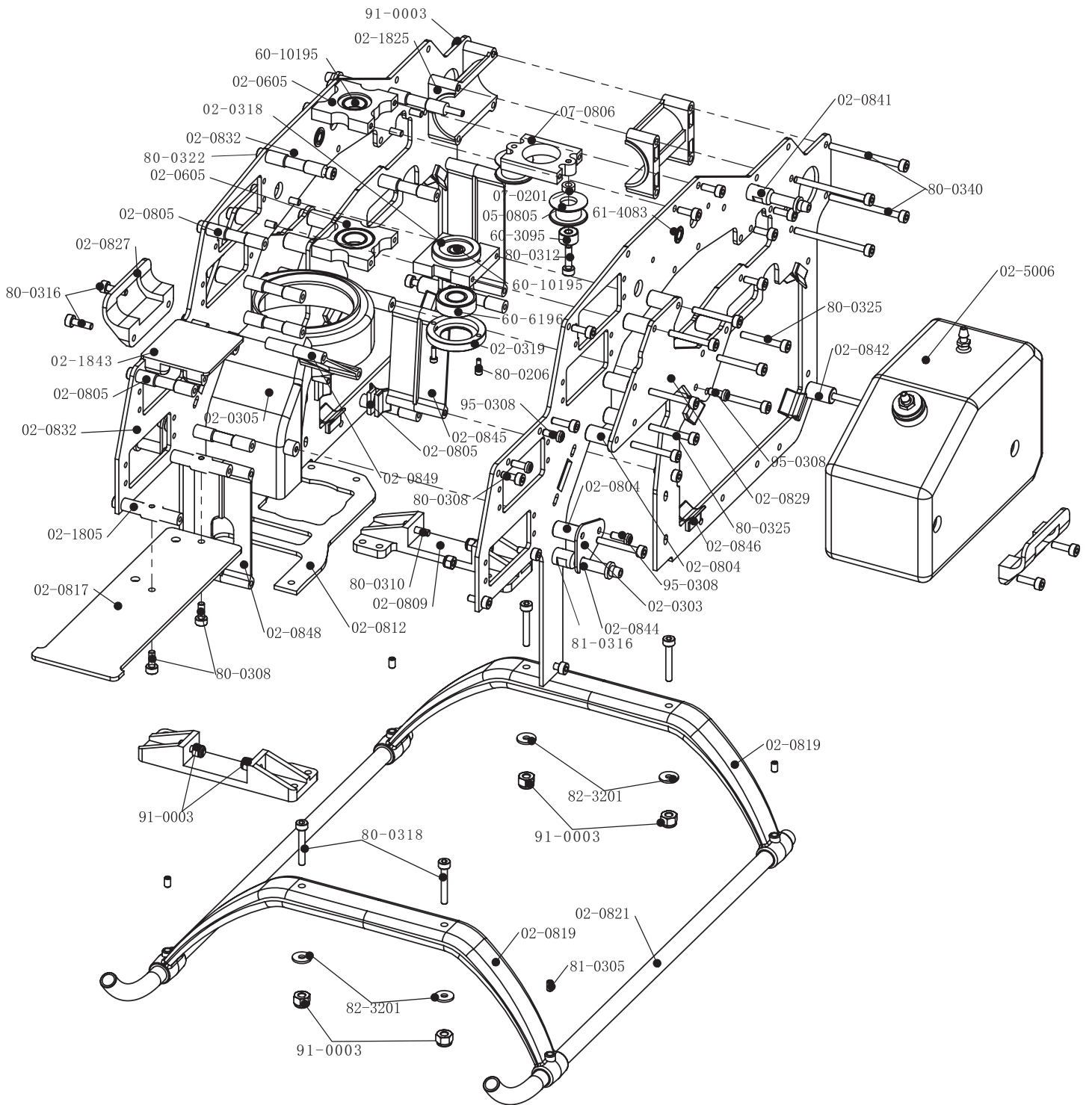




Part No.	Part Description	Order No.	内容	Order Description	Qty,
02-0205	Tail blade link	02-0205S	尾桨接头组成	Tail blade links	2 pcs/bag
02-0209	Tail rotor hub	02-0209	尾桨芯	Tail rotor hub	1 pcs/bag
02-0213	Tail slide ring sleeve	02-0213	滑套	Tail slide ring sleeve	1 pcs/bag
02-0214	Tail shaft	02-0214	尾轴	Tail shaft	2 pcs/bag
02-0220	Tail pitch plate Collar			Provided w, 02-7002	
02-0225	Grooved parallel pin			Provided w, 02-0205S	
02-0226	Guide pin bolt			Provided w, 02-0261Z	
02-0227	Fin Bushing	02-0227	垂直尾翼座环(黑)	Fin Bushing	2 pcs/bag
02-0234	Tail pitch lever collar			Provided w, 02-0261Z	
02-0250	Tail blade	02-0250	尾桨(黑)	Tail blade	2 pcs/bag
02-0261	Tail pitch lever	02-0261Z	尾螺距杆组成	Tail pitch lever set w,BB,collar& bolts	1 set/bag
02-0262	Tail rotor pulley	02-0262S	皮带轮(长) 组成	Tail rotor pulley with spring pin	1 pcs/bag
02-0263	Tail case plastic	02-0263Z	尾齿轮箱组成	Tail case plastic w, BB & bolts	1 set/bag
02-0264AB	Tail blade holder	02-0264AB	尾桨夹组成	Tail blade holder	2 pcs/bag
02-0701	Stainless link balls	02-0701	球頭	Stainless link balls	10 pcs/bag
02-0709	Ball links	02-0709	球頭接頭	Ball links	10 pcs/bag
02-0727	Tail boom servo mount	02-0727S	尾舵机架	Tail boom servo mount set plastic	1set/bag
02-0818	Tail control rod guide clamp	02-0818S	尾控制桿保持架	Tail control rod guide clamp	4pcs/bag
02-0826	Tail boom 705mm	02-0826	尾管	Tail boom 705mm	1 pcs/bag
02-1211	Tail pitch plate w, BB	02-1211	尾桨螺距杆(塑料机)	Tail pitch plate w, BB	1 pcs/bag
02-1212	Tail pitch slider	02-1212Z	尾桨螺距盘组成	Tail pitch slider assembly w, BB	1 pcs/bag
40-2660	Tail control rod 2X650	40-2660	連桿组成	Tail control rod 2X650	1 pcs/bag
60-3092	Ball bearing 3x9x2.5	60-3092	軸承	Ball bearing 3x9x2.5	4 pcs/bag
60-4094	Ball bearing 4x9x4	60-4094	軸承	Ball bearing 4x9x4	5 pcs/bag
60-5134	Ball bearing 5x13x4	60-5134	軸承	Ball bearing 5x13x4	2 pcs/bag
60-7113	Ball bearing 7x11x3	60-7113	軸承	Ball bearing 7x11x3	2 pcs/bag
61-4083	Flanged bearing 4x8x3	61-4083	有边轴承	Flanged bearing 4x8x3	5 pcs/bag
63-4094	Thrust Bearing 4x9x4	63-4094	压力轴承	Thrust Bearing 4x9x4	2 pcs/bag
80-0206	Cap Head Bolt M2x6	80-0206	特制螺丝M2*6	Cap Head Bolt M2x6	10pcs/bag
80-0208	Cap Head Bolt M2x8	80-0208	普通螺丝M2*8	Cap Head Bolt M2x8	10pcs/bag
80-0310	Cap head Bolt M3x10	80-0310	杯头螺丝M3*10	Cap head Bolt M3x10	10pcs/bag
80-0314	Cap head Bolt M3x14	80-0314	杯头螺丝M3*14	Cap head Bolt M3x14	10pcs/bag
80-0316	Cap Head Bolt M3x16	80-0316	杯头螺丝M3*16	Cap Head Bolt M3x16	10pcs/bag
80-0330	Cap Head Bolt M3x30	80-0330	杯头螺丝M3*30	Cap Head Bolt M3x30	10pcs/bag
80-2508	Cap Head Bolt M2.5x8	80-2508	杯头螺丝M2.5*8	Cap Head Bolt M2.5x8	10pcs/bag
81-0305	Set Screw	81-0305	机米3*5	Set Screw	10pcs/bag
82-2578	washer 2.7x7x0.8	82-2578	垫圈2.7*7*0.8	washer 2.7x7x0.8	10pcs/bag
82-3402	Washer 3.2x5.2x0.3	82-3402	垫圈3.3*4.1*0.2	Washer 3.2x5.2x0.3	10pcs/bag
84-0212	Spring Pin 2x12			Provided w, 02-0262S	
90-0302	Hexagonal Nut 3x2.5	90-0302	螺母套	Hexagonal Nut 3x2.5	10pcs/bag
91-0003	Nylon nut	91-0003	螺母套2	Nylon nut	10pcs/bag
95-2508	Self Tapping Bolt 2.5x8	95-2508	塑料螺丝2.5*8	Self Tapping Bolt 2.5x8	10pcs/bag
95-2516	Self Tapping Bolt 2.5x16	95-2516	塑料螺丝2.5*16	Self Tapping Bolt 2.5x16	10pcs/bag
98-1800	Tail belt 3M1800 Bando	98-1800	尾驱动带	Tail belt 3M1800 Bando	1 pcs/bag



Part No.	Part Description	Order No	内容	Order Description	Qty,
02-0301	Cooling fan hub	02-0301	飞轮	Cooling fan hub	1 pcs/bag
02-0304	Cooling fan	02-0304	风扇	Cooling fan	1 pcs/bag
02-0307	Starter coupling	02-0307S	启动杯组成	Starter coupling	1 pcs/bag
02-0309	Crank case holder	02-0309	引擎固定环	Crank case holder	1 pcs/bag
02-0311	Engine mount dampener	02-0311	引擎减震垫	Engine mount dampeners	4 pcs/bag
02-0312	Clutch Liner	02-0312	离合器摩擦片	Clutch Liner	1 pcs/bag
02-0313	Engine mount	02-0313S	减震引擎架	Engine mount set w, dampeners & bushings	2 sets/bag
02-0314	Engine Mount Bushing			Provided w, 02-0313S	
02-0317	Start Shaft	02-0317S	启动轴	Starter shaft w, E-Clip	1pcs/bag
02-0321	Clutch bell	02-0321Z	离合器钟组成	Clutch bell w, BB and liner	1set/bag
02-0323	Clutch	02-0323Z	离合器靴组成	Clutch w, one way bearing and bolts	1pcs/bag
02-0333	Engine mount base	02-0333	引擎垫块	Engine mount base	1 pcs/bag
02-0334OS	Crank case dampener OS	02-0334	减震环OS	Crank case dampener OS	1 pcs/bag
02-0503	Washout base	02-0503S	滑块组	Washout base	1pcs/bag
02-0518	Washout links	02-0518	爪形臂座	Washout links	2 pcs/bag
02-0519	Phasing control ring	02-0519S	爪块组成	Phasing control ring	1pcs/bag
02-0532	Bushings	02-0531S	黄铜套	Bushing set (includes 3 sizes)	6 pcs/bag
02-0535	Washout control arm	02-0535	水平盘控制臂	Wash out control arm	2 pcs/bag
02-0601	Main Shaft (3D)	02-0601	主轴	Main shaft (3D)	1 pcs/bag
02-0701	Stainless link balls	02-0701	球頭	Stainless link balls	10 pcs/bag
02-3302	Drive gear	02-3302	驱动齿轮	Drive gear	1 pcs/bag
02-4602	Main gear molded	02-4602	大齿轮	Main gear molded	1 pcs/bag
02-5402	Swashplate	02-5402	水平盘总成	Swashplate	1 set/bag
05-0606	Mast lock	05-0606S	主轴挡块组成	Mast lock w, set screw	1pcs/bag
07-0621	Autorotation hub	07-0621Z	自旋轴壳	Autorotation hub w, one way bearing	1pcs/bag
07-0622	Autorotation sleeve	07-0622	自旋轴	Autorotation sleeve	1 pcs/bag
07-0623	Main pulley hub	07-0623	皮带轮座	Main pulley hub	1 pcs/bag
07-4501	Main pulley	07-4501	主皮带轮	Main Pulley	1 pcs/bag
60-12215	Ball bearing 12x21x5	60-12215	轴承	Ball bearing 12x21x5	2 pcs/bag
60-4083	Ball bearing 4x8x3	60-4083	轴承	Ball bearing 4x8x3	5 pcs/bag
60-6124	Ball bearing 6x12x4	60-6124	轴承	Ball bearing 6x12x4	2 pcs/bag
61-2562	Flanged bearing 2.5x6x2.6	61-2562	有邊軸承	Flanged bearing 2.5x6x2.6	10 pcs/bag
62-0612	One way bearing 6x10x12	62-0612	单向轴承	One way bearing 6x10x12	1 pcs/bag
62-121816	One way bearing 12x18x16	62-121816	单向轴承	One way bearing 12x18x16	1 pcs/bag
79-0306	Button head Bolt M3x6	79-0306	球头螺丝M3*6	Button head Bolt M3x6	10 pcs/bag
79-0308	Button head Bolt M3X8	79-0308	螺丝套3	Button head Bolt M3X8	10 pcs/bag
80-0208	Cap Head Bolt M2x8	80-0208	普通螺丝M2*8	Cap Head Bolt M2x8	10 pcs/bag
80-0312	Cap Head Bolt M3x12	80-0312	杯头螺丝M3*12	Cap Head Bolt M3x12	10 pcs/bag
80-0316	Cap Head Bolt M3x16	80-0316	杯头螺丝M3*16	Cap Head Bolt M3x16	10 pcs/bag
80-0322	Cap Head Bolt M3x22	80-0322	杯头螺丝M3*22	Cap Head Bolt M3x22	10 pcs/bag
80-0327	Cap Head Bolt M3x27 shanked	80-0327	杯头螺丝M3*27	Cap Head Bolt M3x27 shanked	2 pcs/bag
80-2505	Button head Bolt M2.5X5	80-2505	杯头螺丝M2. 5*5	Button head Bolt M2.5X5	10 pcs/bag
80-2510	Cap head Bolt M2.5x10	80-2510	杯头螺丝M2. 5*10	Cap head Bolt M2.5x10	10 pcs/bag
80-2514	Cap Head Bolt M2.5x15	80-2514	杯头螺丝M2. 5*14	Cap Head Bolt M2.5x15	10 pcs/bag
81-0406	Set Screw	81-0406	机米4*6	Set Screw	10 pcs/bag
82-3201	Washer	82-3201	垫圈3. 2*10*1. 2	Washer	10 pcs/bag
91-0003	Nylon nut	91-0003	螺母套2	Nylon nut	10 pcs/bag



Part No.	Part Description	Order No.	内容	Order Description	Qty,
02-0303	Fan shroud mount	02-0303	支撑片	Fan shroud mount	2 pcs/bag
02-0305	Cooling fan shroud	02-0305	风扇壳	Cooling fan shroud	1 pcs/bag
02-0318	Bearing holder	02-0308Z	轴承座	Bearing holder w, BB (starter shaft)	1 set/bag
02-0319	Bearing Holder Cover	02-0308Z	轴承座	Bearing holder w, BB (starter shaft)	1 set/bag
02-0605	Bearing block	02-0605Z	轴承座组成	Bearing block w, BB (main shaft)	1 pcs/bag
02-0804	Frame spacer 13.5mm	02-0804	接柱13.5mm	Frame spacer 13.5mm	4 pcs/bag
02-0805	Cross members M3x30	02-0805	接柱M3x30	Cross members M3x30	5 pcs/bag
02-0809	Landing gear mount	02-0809	付脚架	Landing gear mount	2 pcs/bag
02-0812	Bottom frame stiffener	02-0812	引擎托架	Bottom frame stiffener	1 pcs/bag
02-0817	Radio tray	02-0817	机械架	Radio tray	1 pcs/bag
02-0819	Struts	02-0819	滑撬腿	Struts	2 pcs/bag
02-0821	Skids	02-0821	滑撬管	Skids	2 pcs/bag
02-0827	Tank Mount	02-0827	油箱架	Tank mount	2 pcs/bag
02-0829	Frame stiffener	02-0829	加强板	Frame stiffener	2 pcs/bag
02-0832	Main frame	02-0832Z	侧板(3d)	Main frame w, BB (3d)	1pcs/bag
02-0841	Canopy standoff	02-0841S	頭罩接柱	Canopy standoff set	4 pcs/bag
02-0842	Spacer	02-0842	副油箱接柱	Spacer	2 pcs/bag
02-0844	Cabin cross member M3x31	02-0841S	頭罩接柱	Canopy standoff set	4 pcs/bag
02-0845	Frame member	02-0845S	加强筋	Frame member	4 pcs/bag
02-0846	Tank dampener	02-0846	油箱减震垫	Tank dampener	8 pcs/bag
02-0847	Frame member	02-0845S	加强筋	Frame member	4 pcs/bag
02-0848	Frame member	02-0845S	加强筋	Frame member	4 pcs/bag
02-0849	Frame member	02-0845S	加强筋	Frame member	4 pcs/bag
02-1805	Cross member set M3x30	02-1805	接柱	Cross member set M3x30	2 pcs/bag
02-1825	Tail boom mount	02-1825s	尾管夹组成	Tail boom mount w, bolts	1 set/bag
02-1843	Gyro tray plastic	02-1843	陀螺架(塑料)	Gyro tray plastic	1 pcs/bag
02-5006	Fuel tank assembly	02-5006	油箱总成	Fuel tank assembly	1 set/bag
05-0805	Guide pulley set	05-0805Z	滑轮组	Guide pulley set w, BB	2 pcs/bag
07-0201	Collar			Provided w, 05-0805Z	
07-0806	Guide pulley mount	07-0806	压带轮座	Guide pulley mount	1 pcs/bag
60-10195	Ball bearing 10x19x5	60-10195	轴承	Ball bearing 10x19x5	4 pcs/bag
60-3095	Ball bearing 3x9x5	60-3095	轴承	Ball bearing 3x9x5	2 pcs/bag
60-6196	Ball bearing 6x19x6	60-6196	轴承	Ball bearing 6x19x6	2 pcs/bag
61-4083	Flanged bearing 4x8x3	61-4083	有边轴承	Flanged bearing 4x8x3	5 pcs/bag
80-0206	Cap Head Bolt M2X6	80-0206	特制螺丝M2*6	Cap Head Bolt M2X6	10 pcs/bag
80-0308	Cap Head Bolt M3x8	80-0308	杯头螺丝M3*8	Cap Head Bolt M3x8	10 pcs/bag
80-0310	Cap Head Bolt M3x10	80-0310	杯头螺丝M3*10	Cap Head Bolt M3x10	10 pcs/bag
80-0312	Cap Head Bolt M3x12	80-0312	杯头螺丝M3*12	Cap Head Bolt M3x12	10 pcs/bag
80-0318	Cap Head Bolt M3x18	80-0318	杯头螺丝M3*18	Cap Head Bolt M3x18	10 pcs/bag
80-0322	Cap head Bolt M3x22	80-0322	杯头螺丝M3*22	Cap head Bolt M3x22	10 pcs/bag
80-0325	Cap Head Bolt M3x25	80-0325	杯头螺丝M3*25	Cap Head Bolt M3x25	10 pcs/bag
80-0340	Cap Head Bolt M3x38	80-0340	杯头螺丝M3*40	Cap Head Bolt M3x38	10 pcs/bag
81-0305	Set screw M3x5	81-0305	机米3*5	Set screw M3x5	10 pcs/bag
81-0316	Set screw M3x16	81-0316	机米3*16	Set screw M3x16	10 pcs/bag
82-3201	Plain Washer 3.2x10x1.2	82-3201	垫圈3.2*10*1.2	Plain Washer 3.2x10x1.2	10 pcs/bag
90-0302	Hexagonal nut3x2.5	90-0302	螺母套	Hexagonal nut3x2.5	10 pcs/bag
91-0003	Nylon nut	91-0003	螺母套2	Nylon nut	10 pcs/bag
95-0308	Self Tapping screw 3x8	95-0308	塑料螺丝3*8	Self Tapping screw 3x8	10 pcs/bag
80-0316	Cap head screw M3x16	80-0316	杯头螺丝M3*16	Cap head screw M3x16	10 pcs/bag

