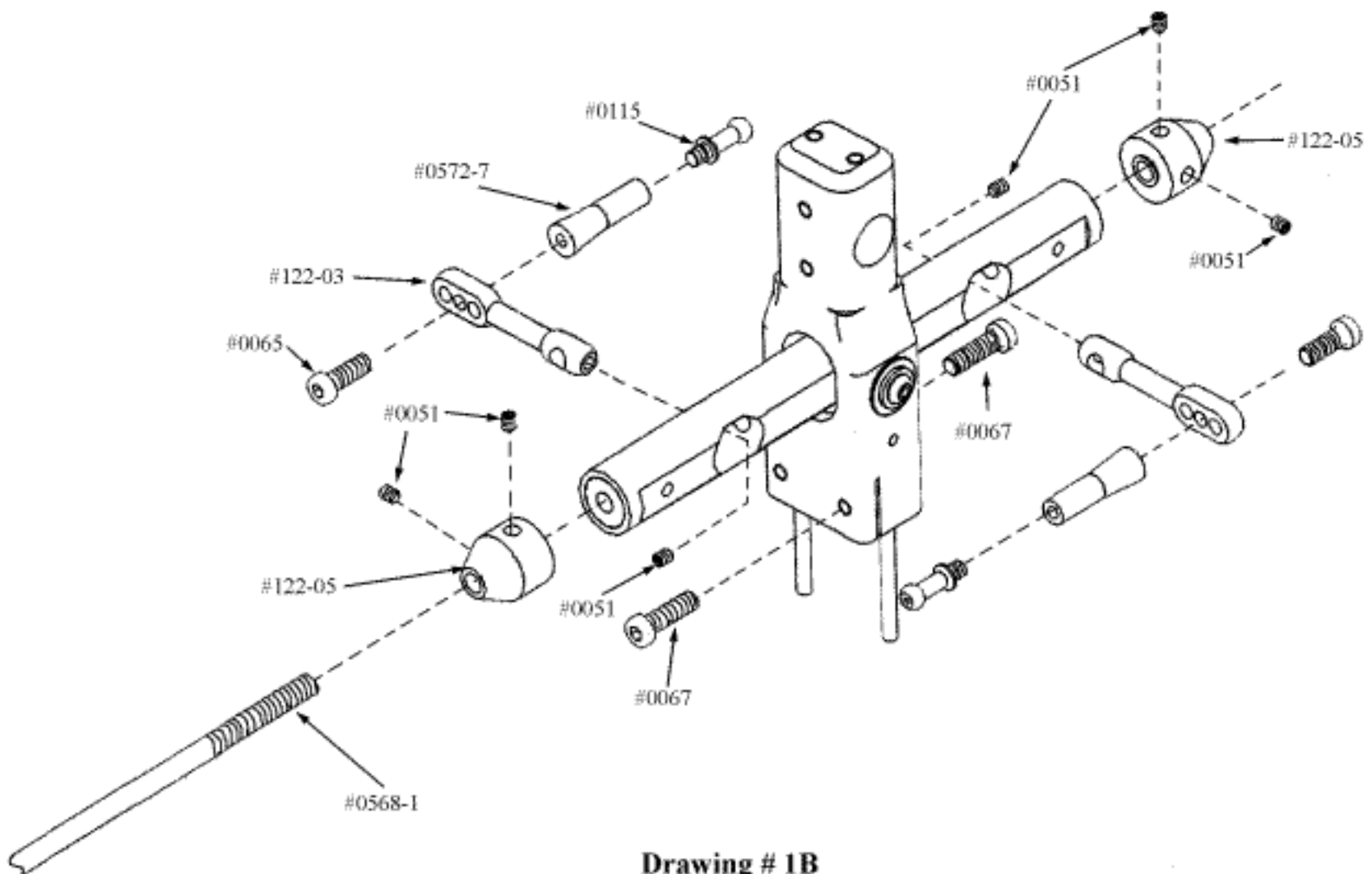
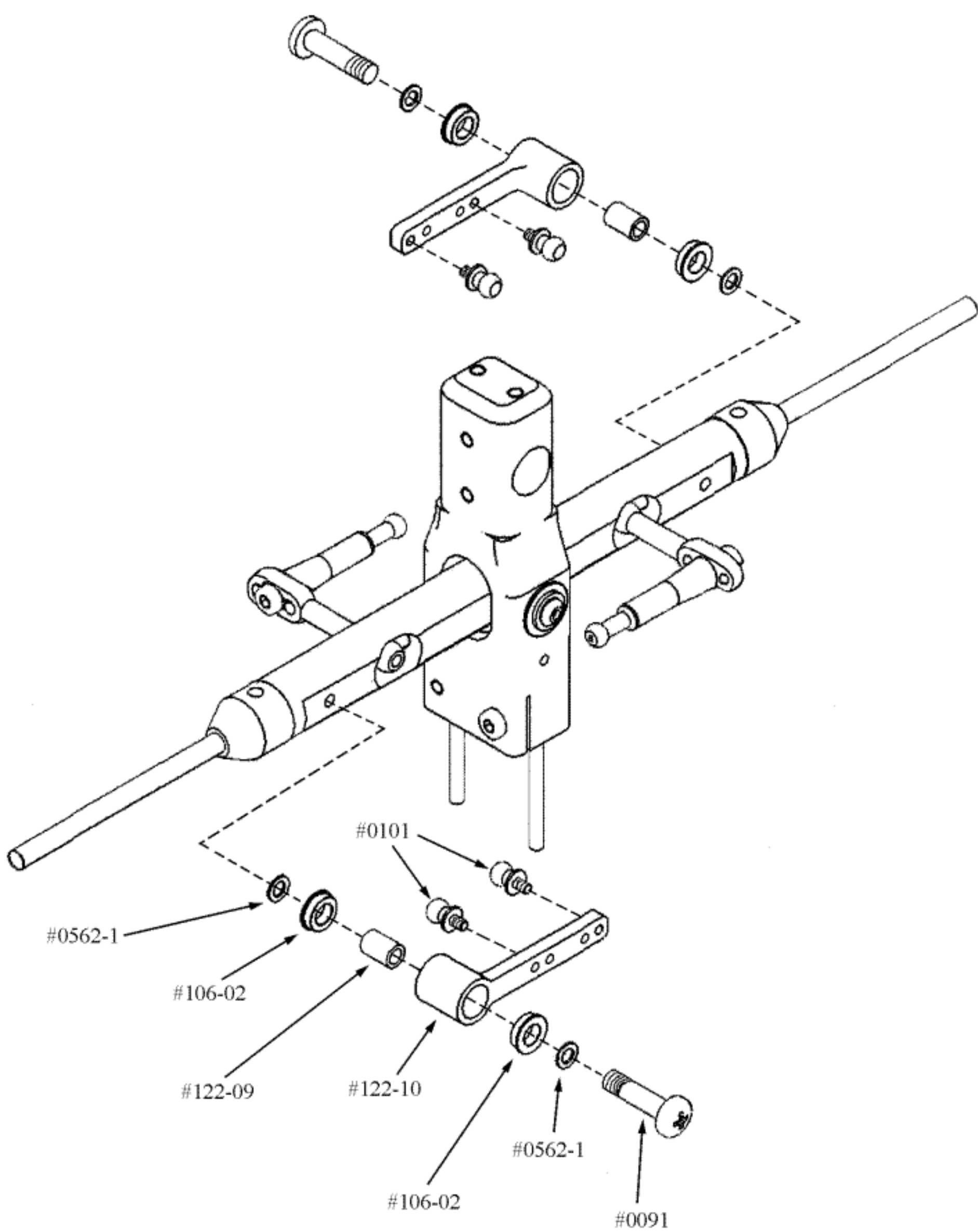


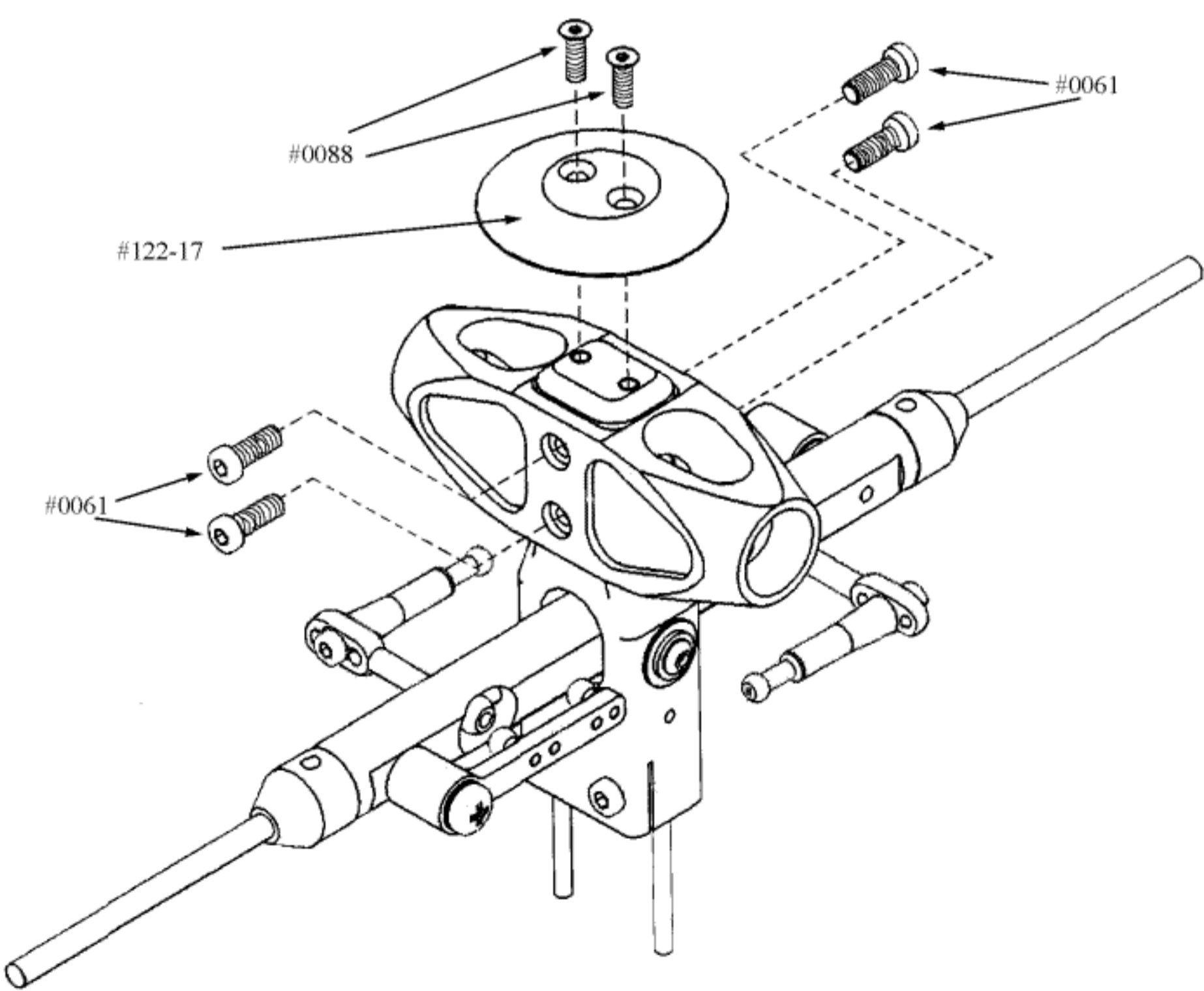
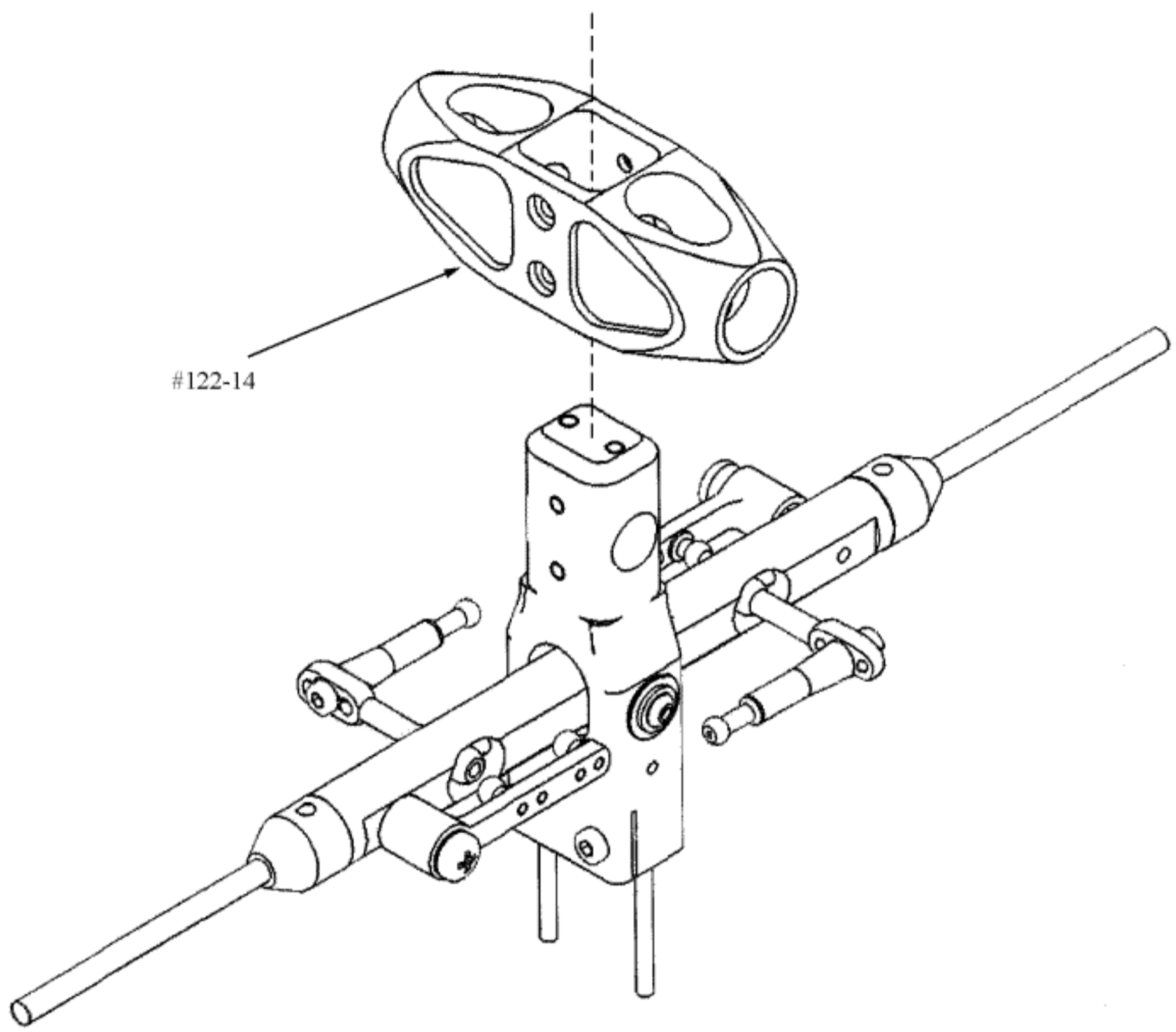
Drawing # 1A



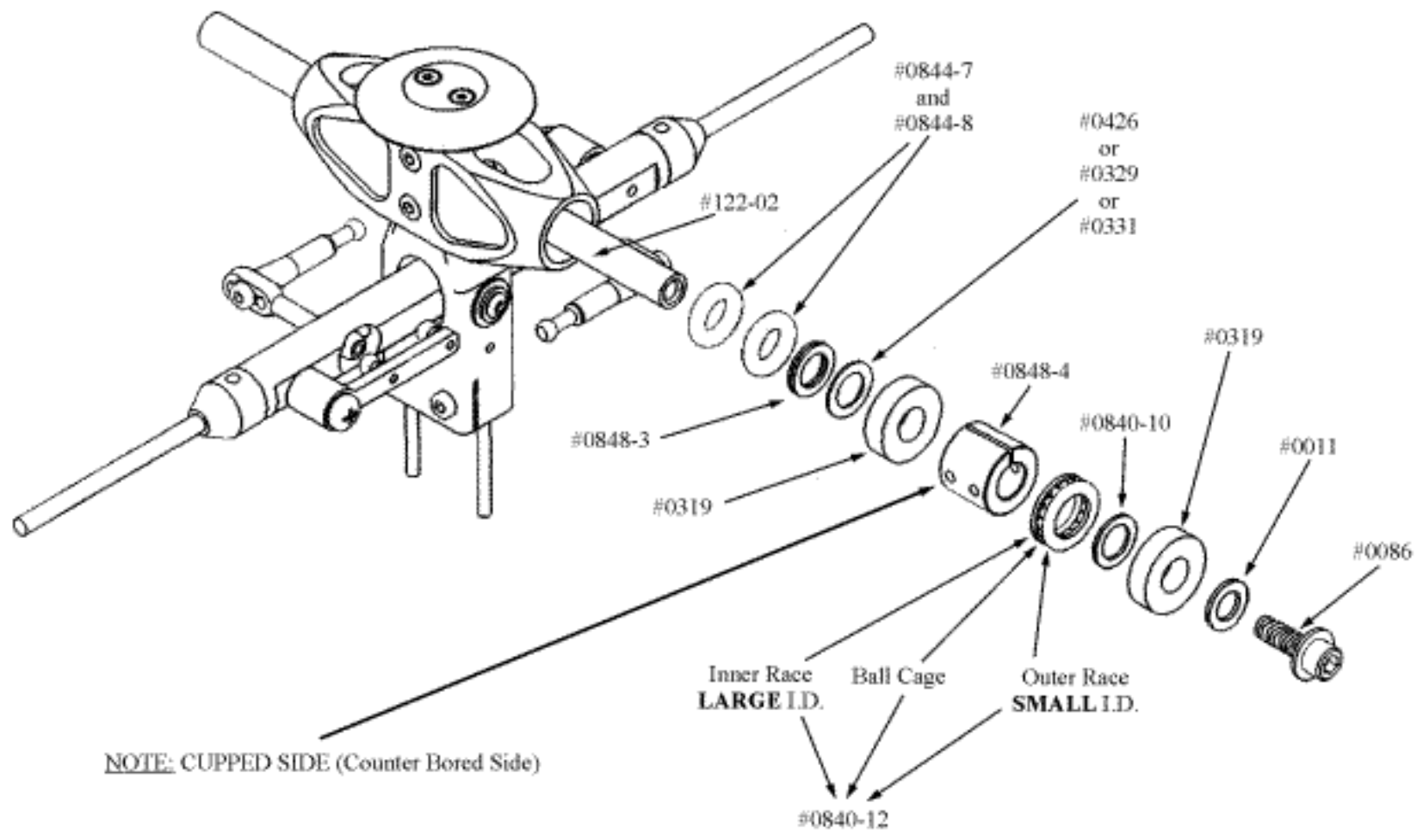
Drawing # 1B



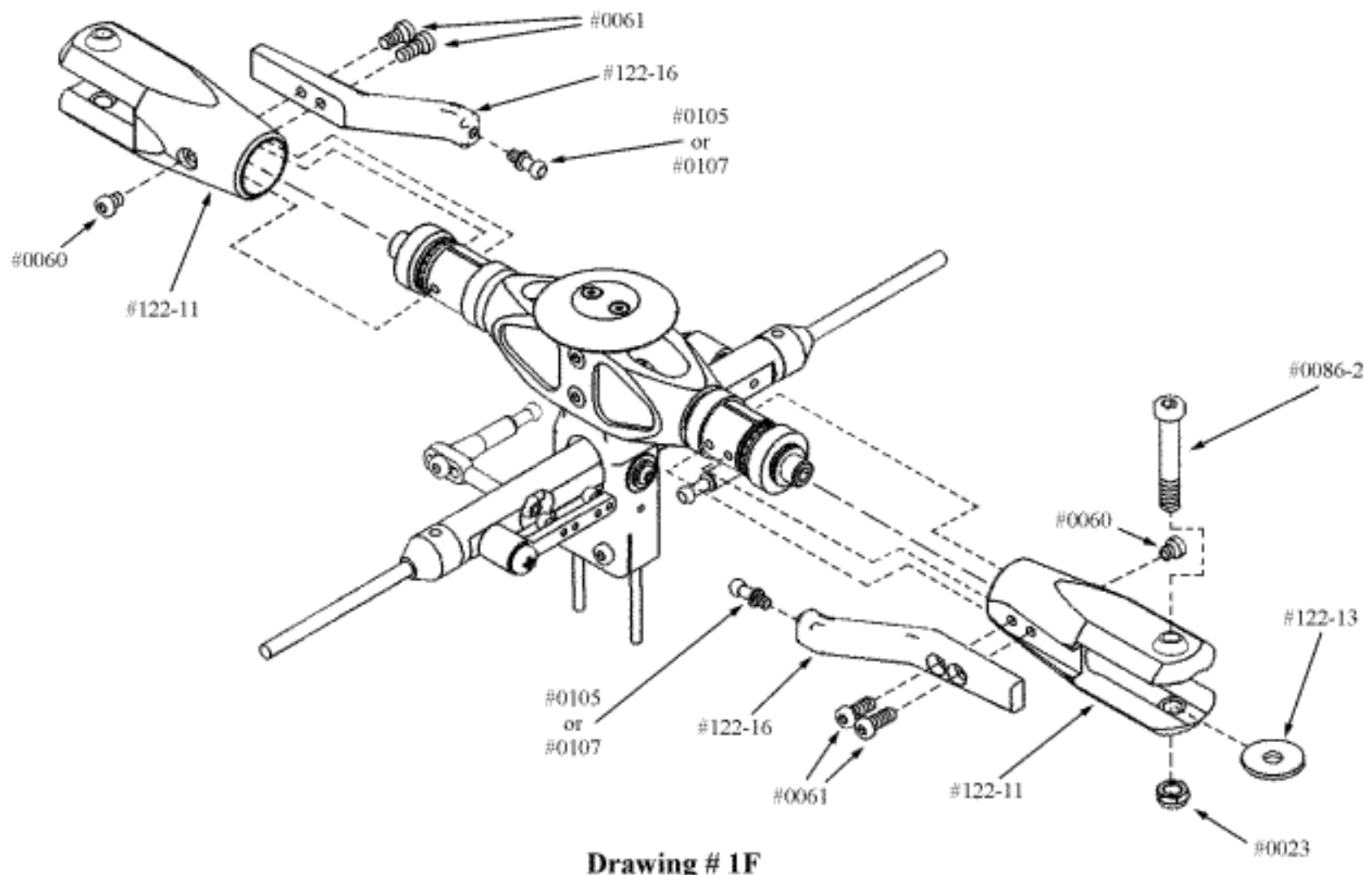
Drawing # 1C



Drawing # 1D



Drawing # 1E

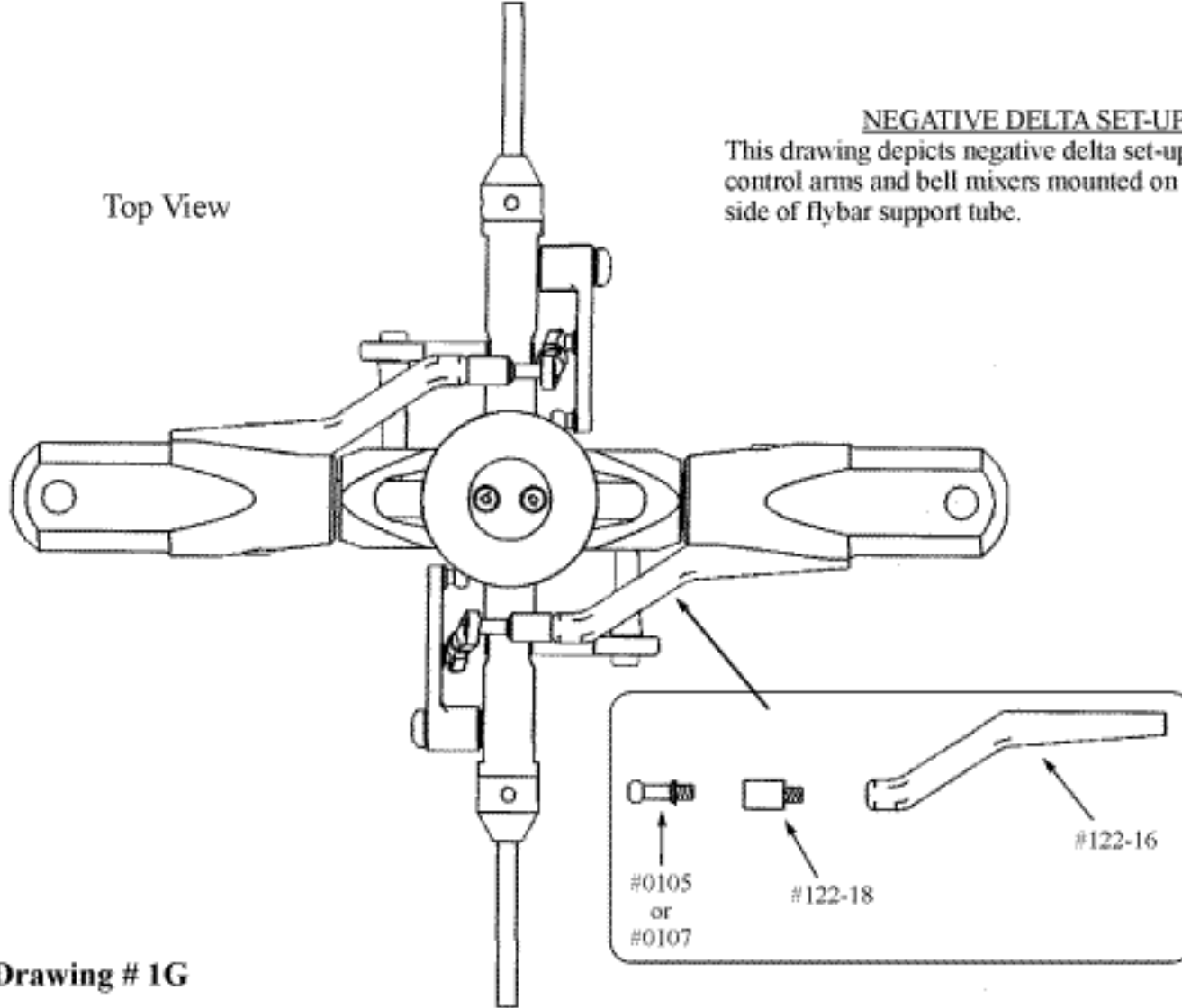


Drawing # 1F

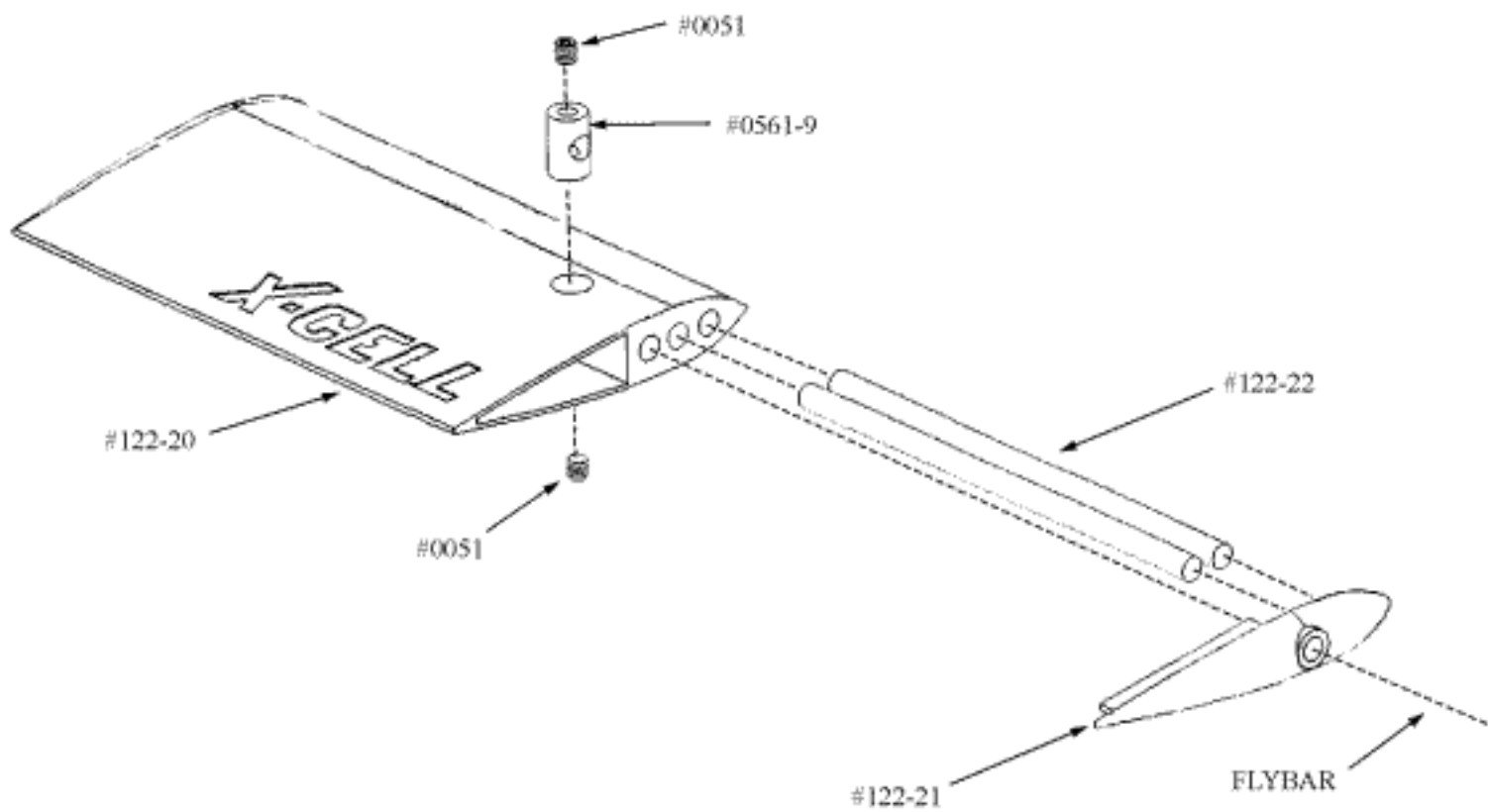
Top View

NEGATIVE DELTA SET-UP

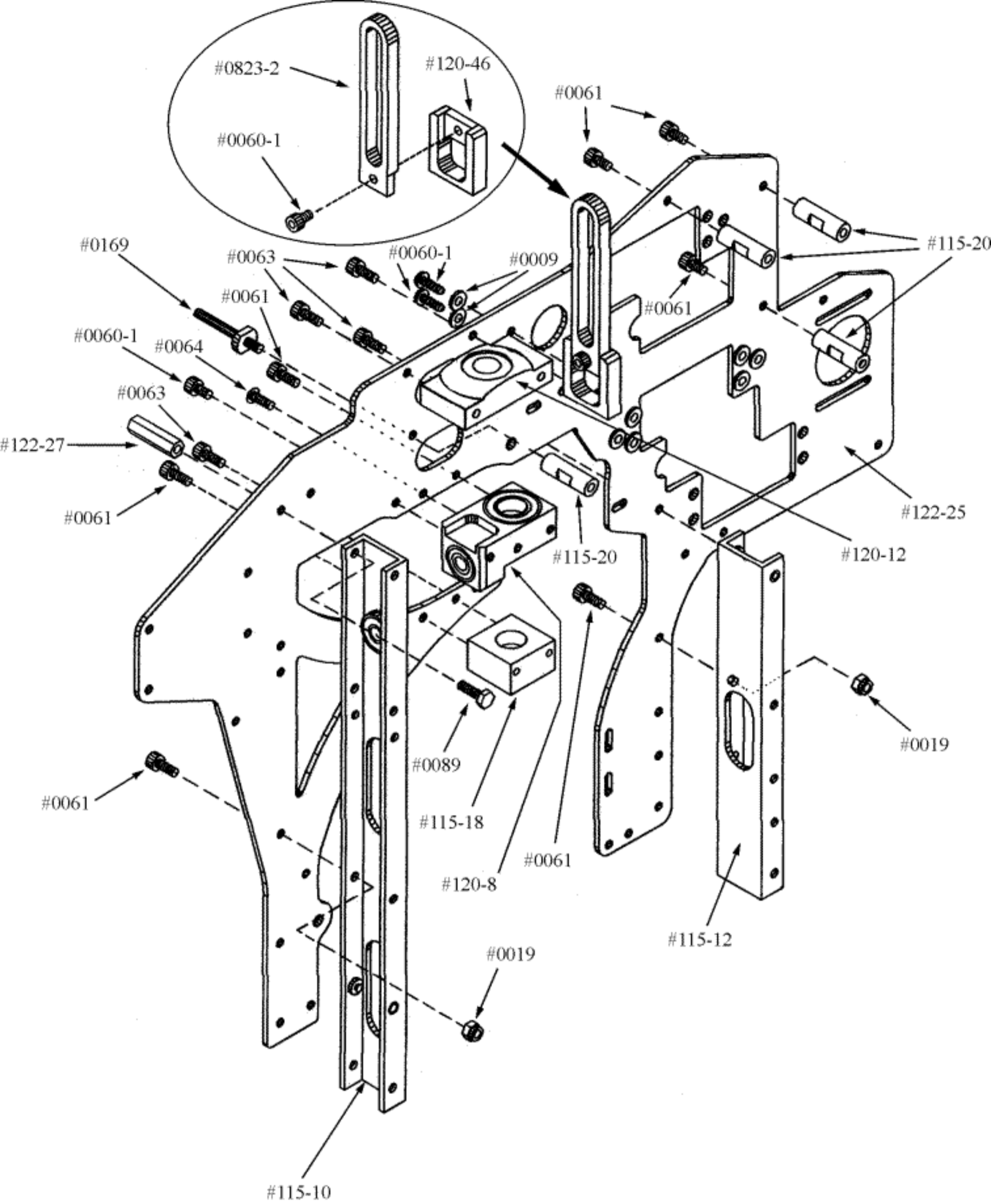
This drawing depicts negative delta set-up with flybar control arms and bell mixers mounted on opposite side of flybar support tube.



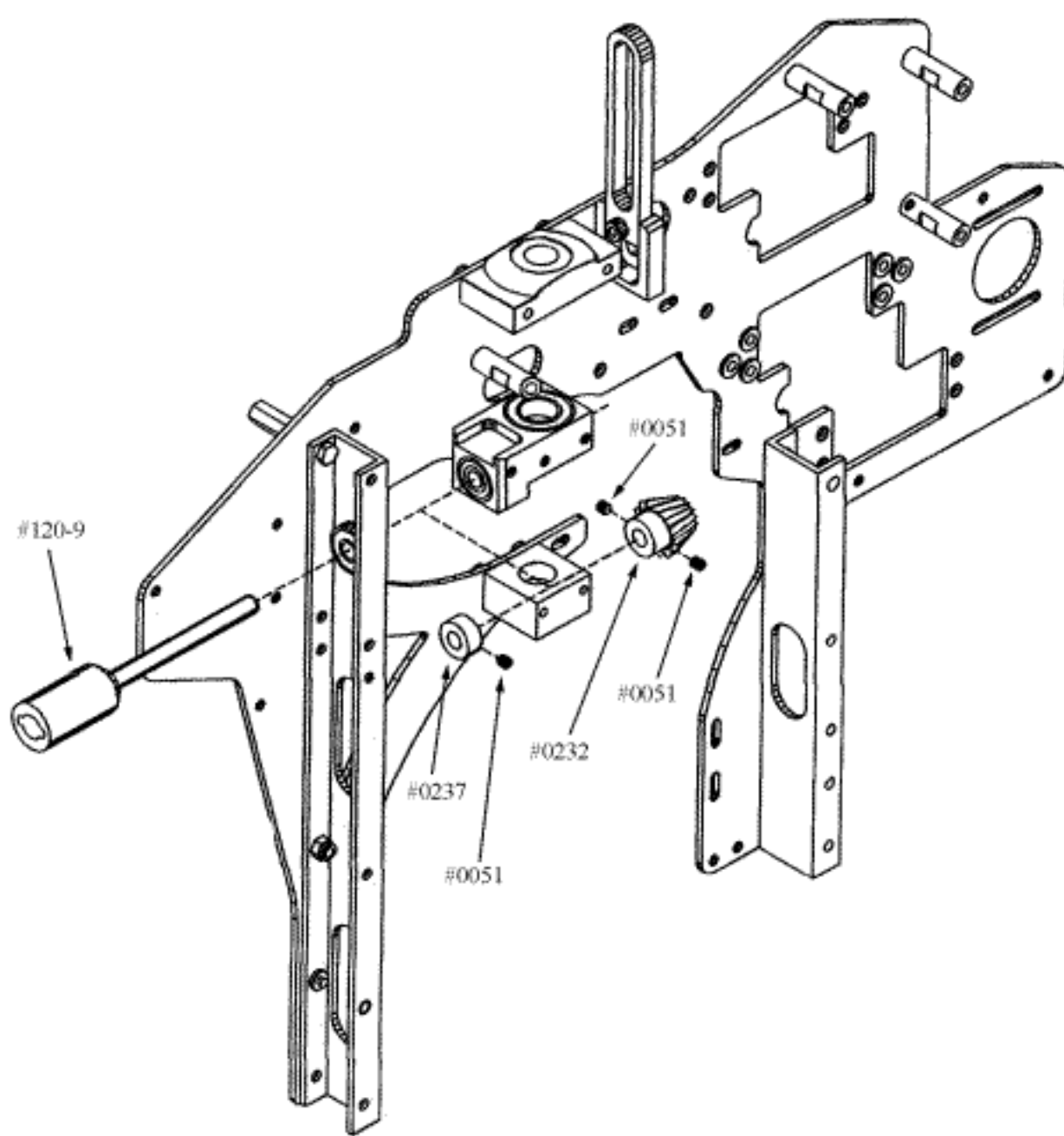
Drawing # 1G



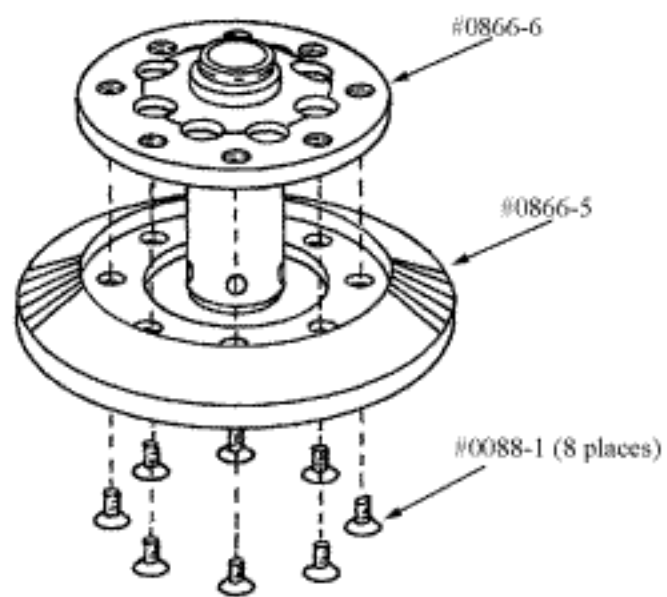
Drawing # 1H



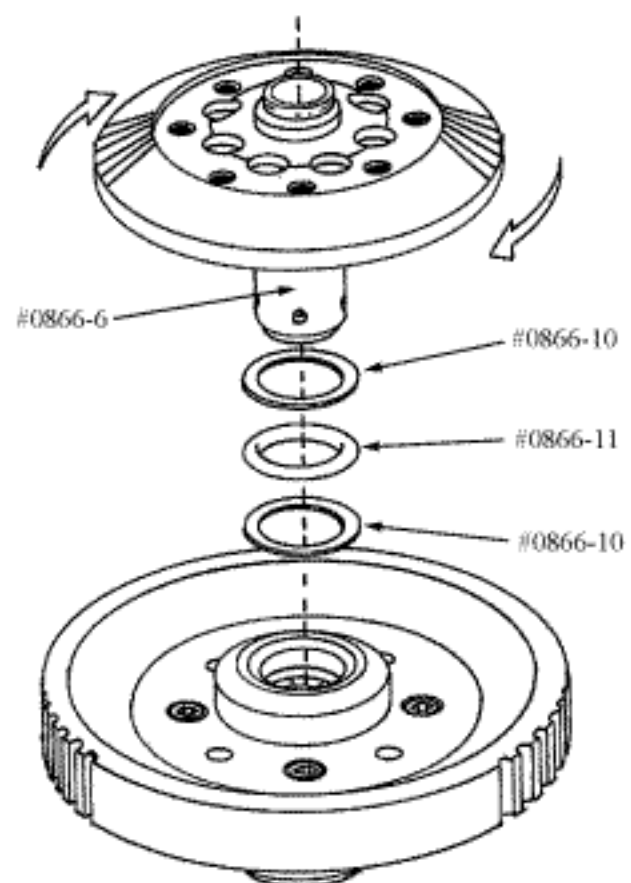
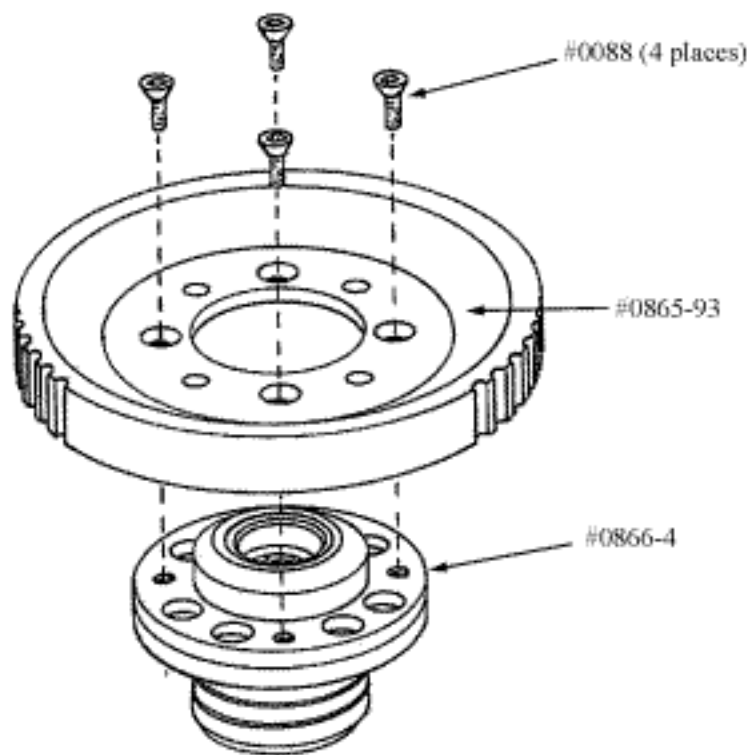
Drawing # 2A



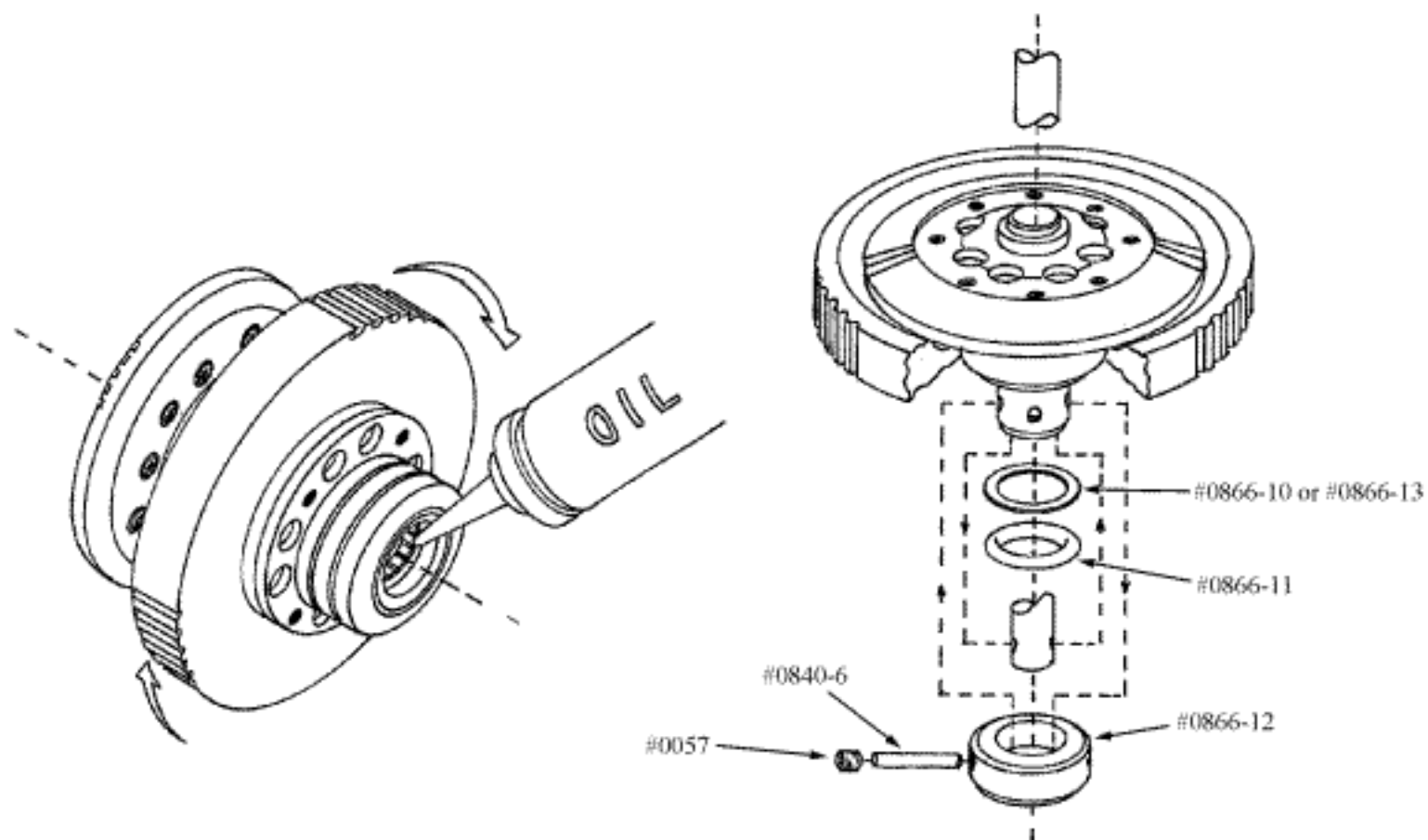
Drawing # 3A



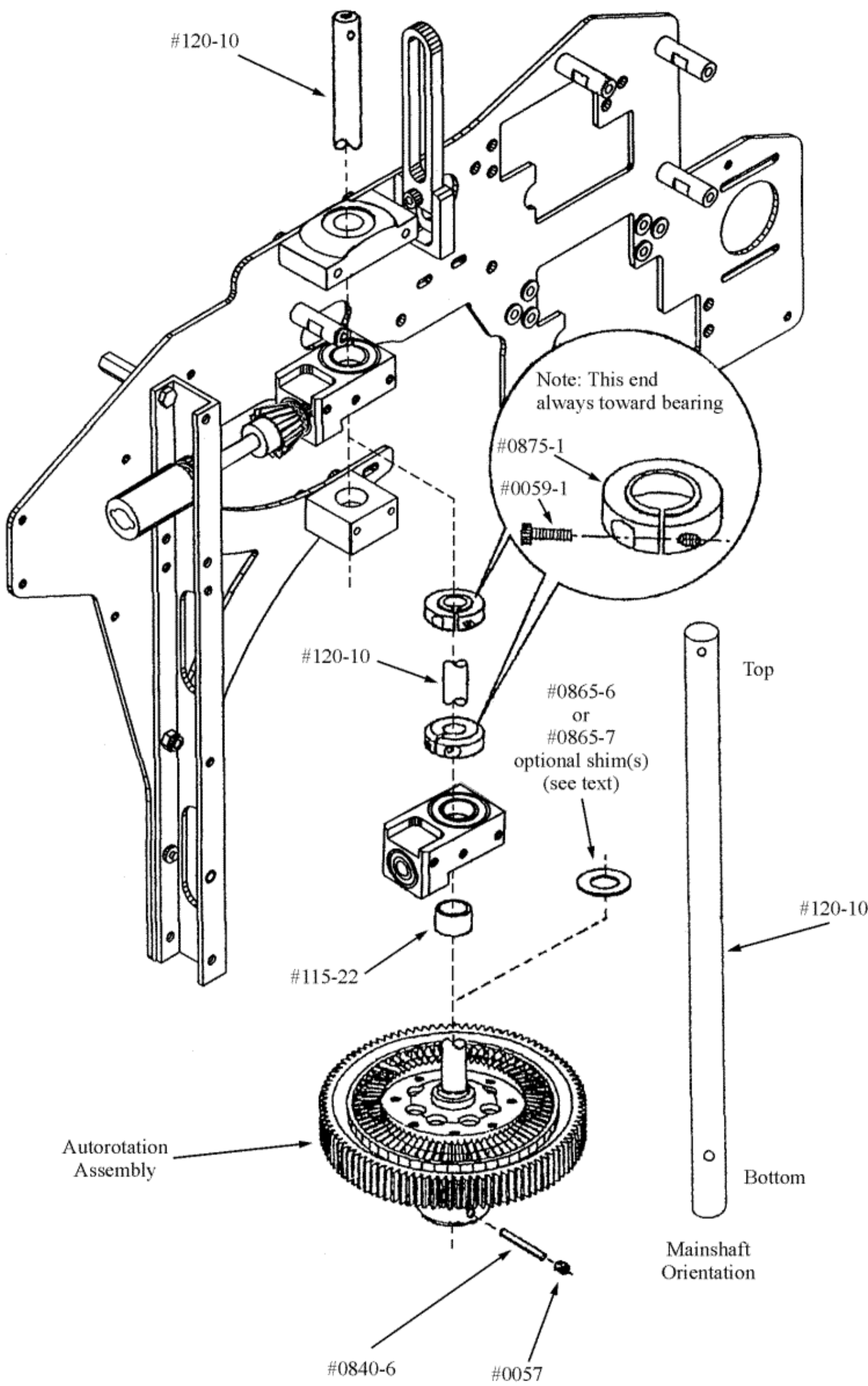
Drawing # 3B



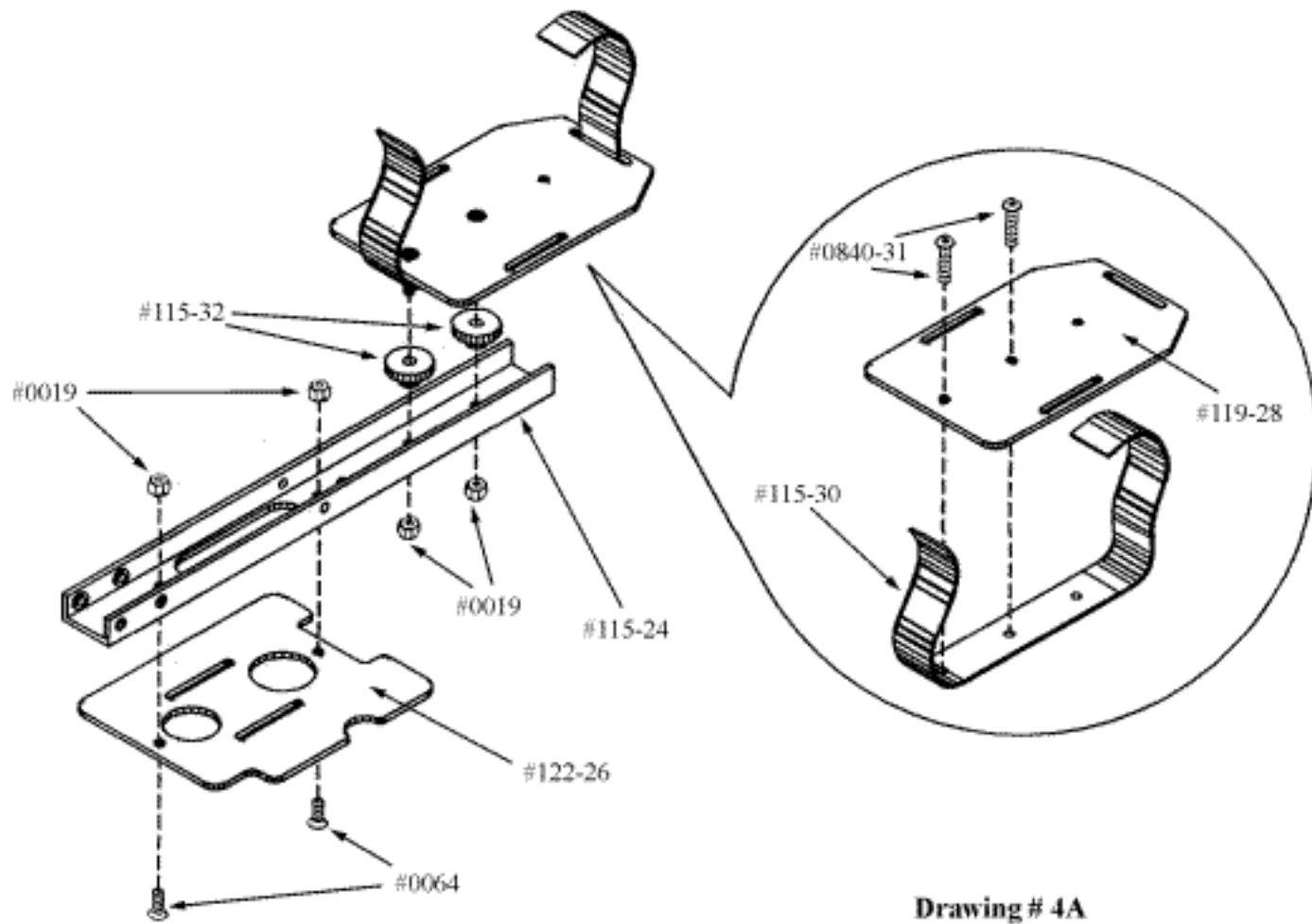
Drawing # 3C



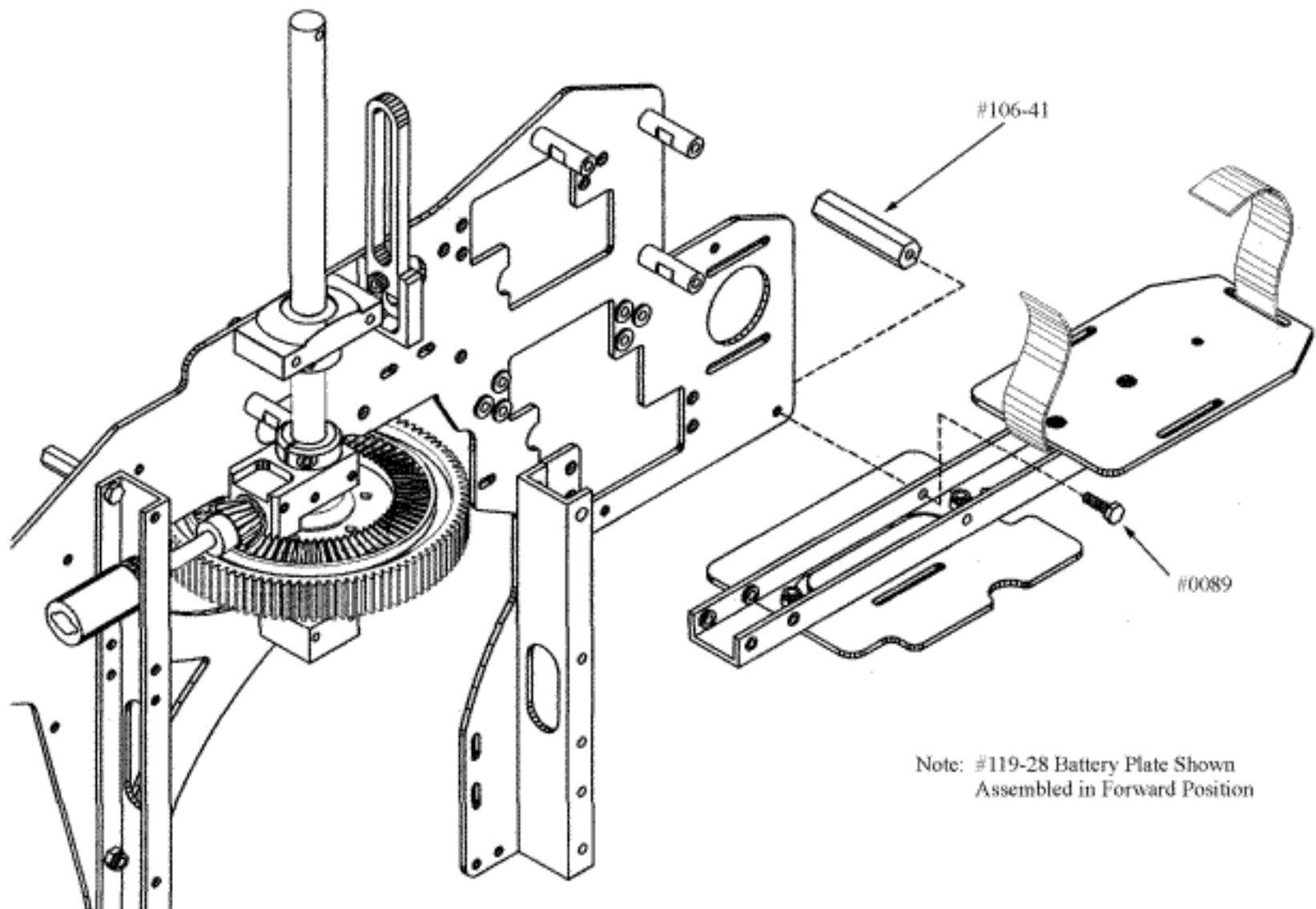
Drawing # 3D



Drawing # 3E

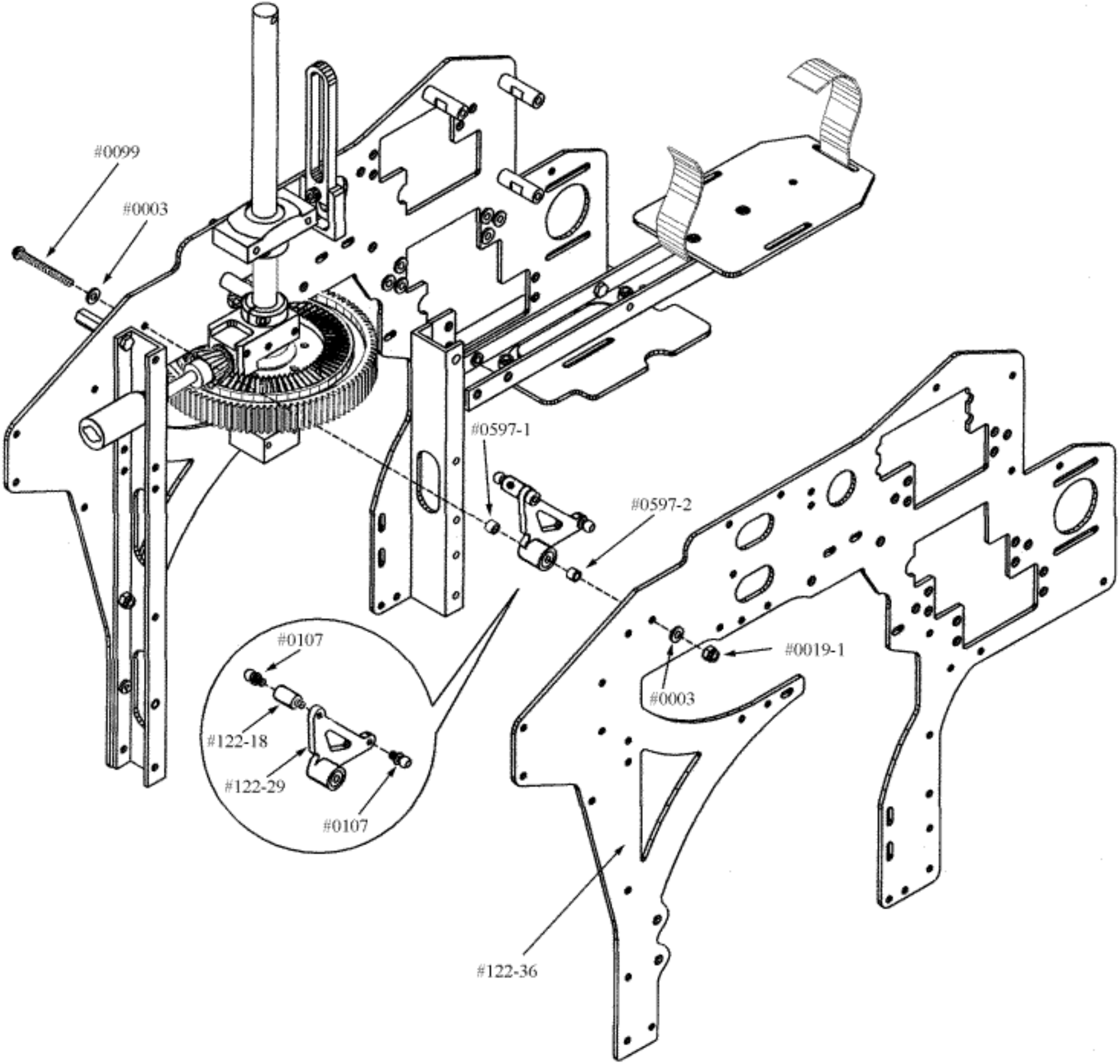


Drawing # 4A

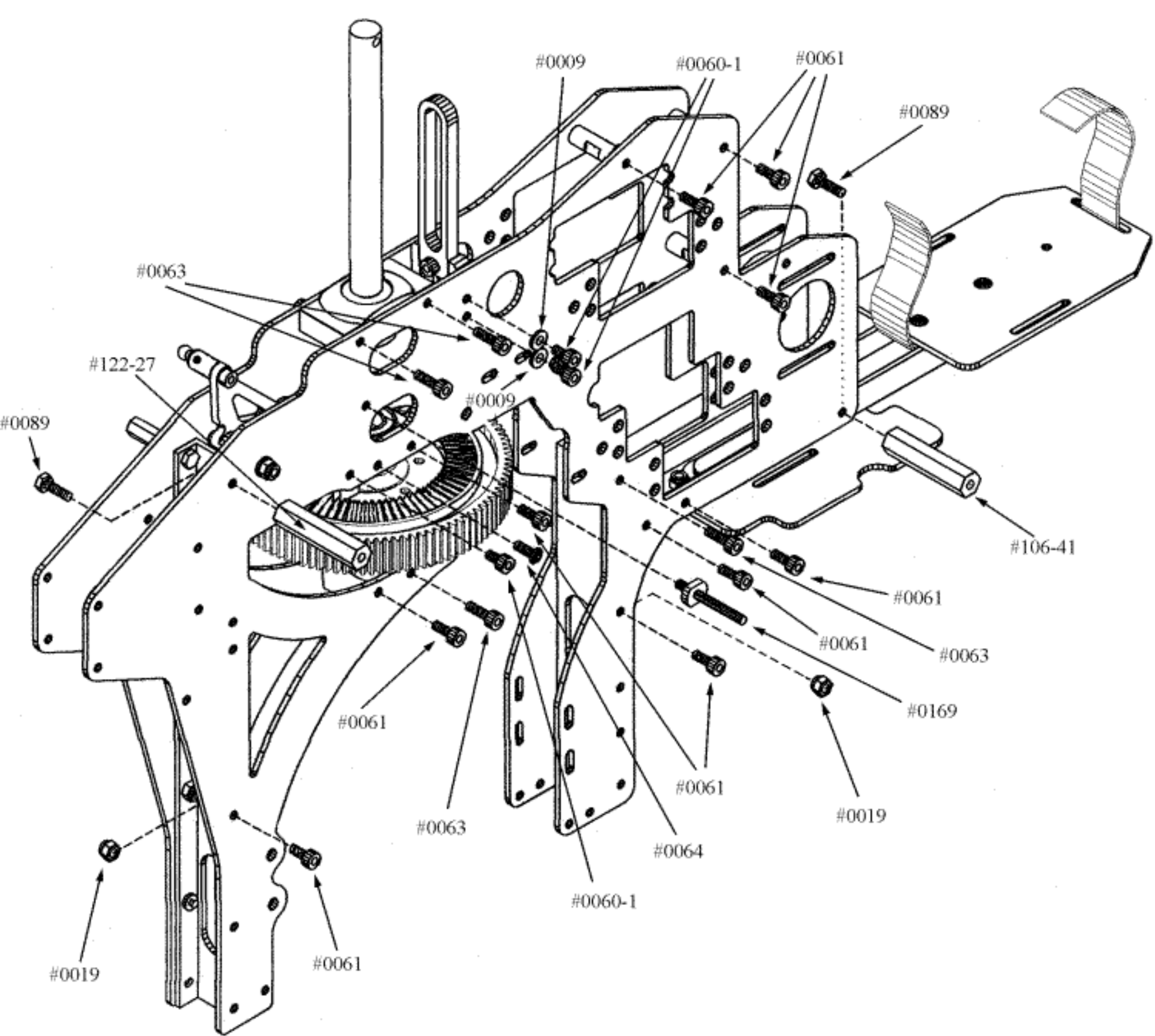


Note: #119-28 Battery Plate Shown
Assembled in Forward Position

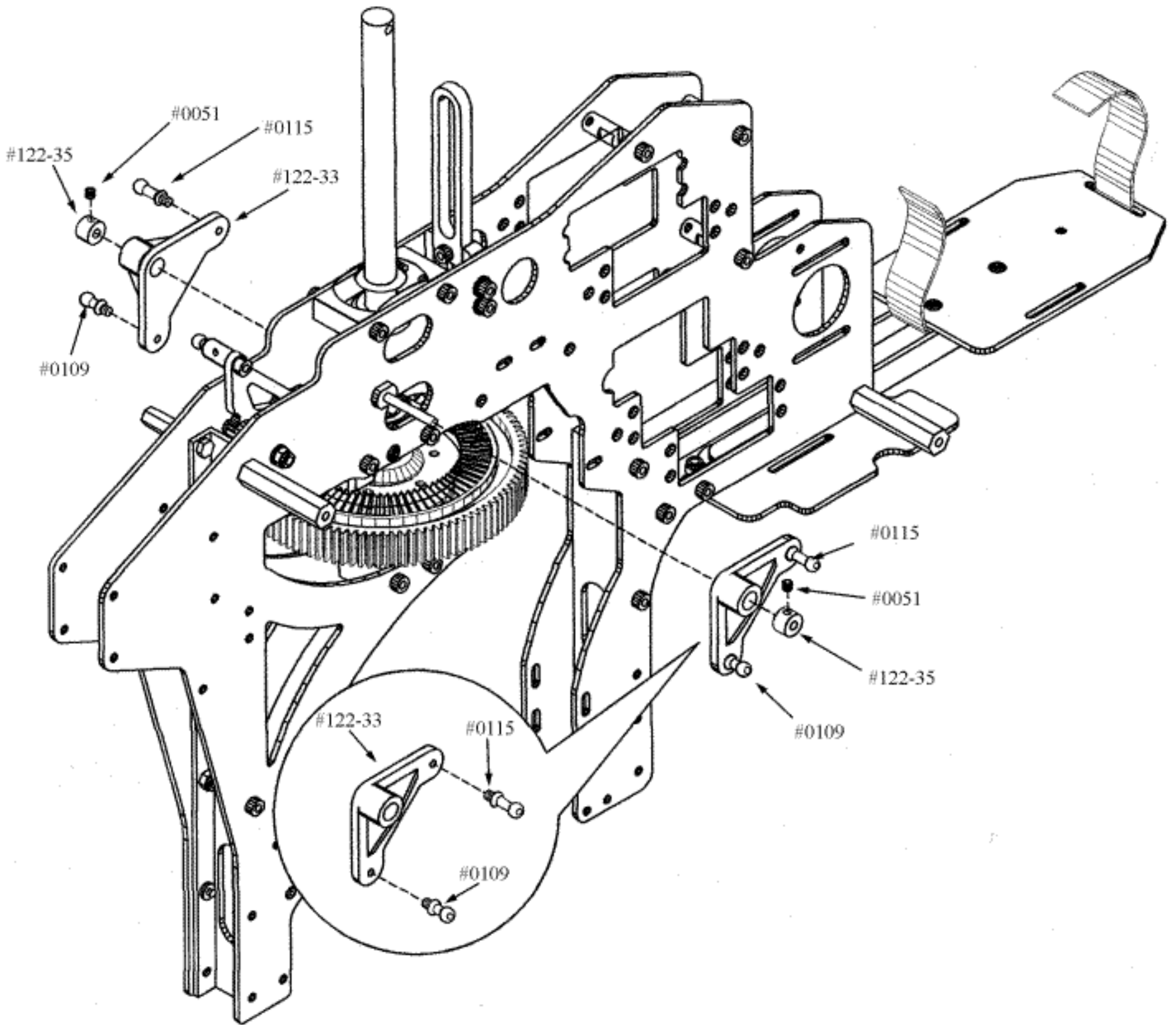
Drawing # 4B



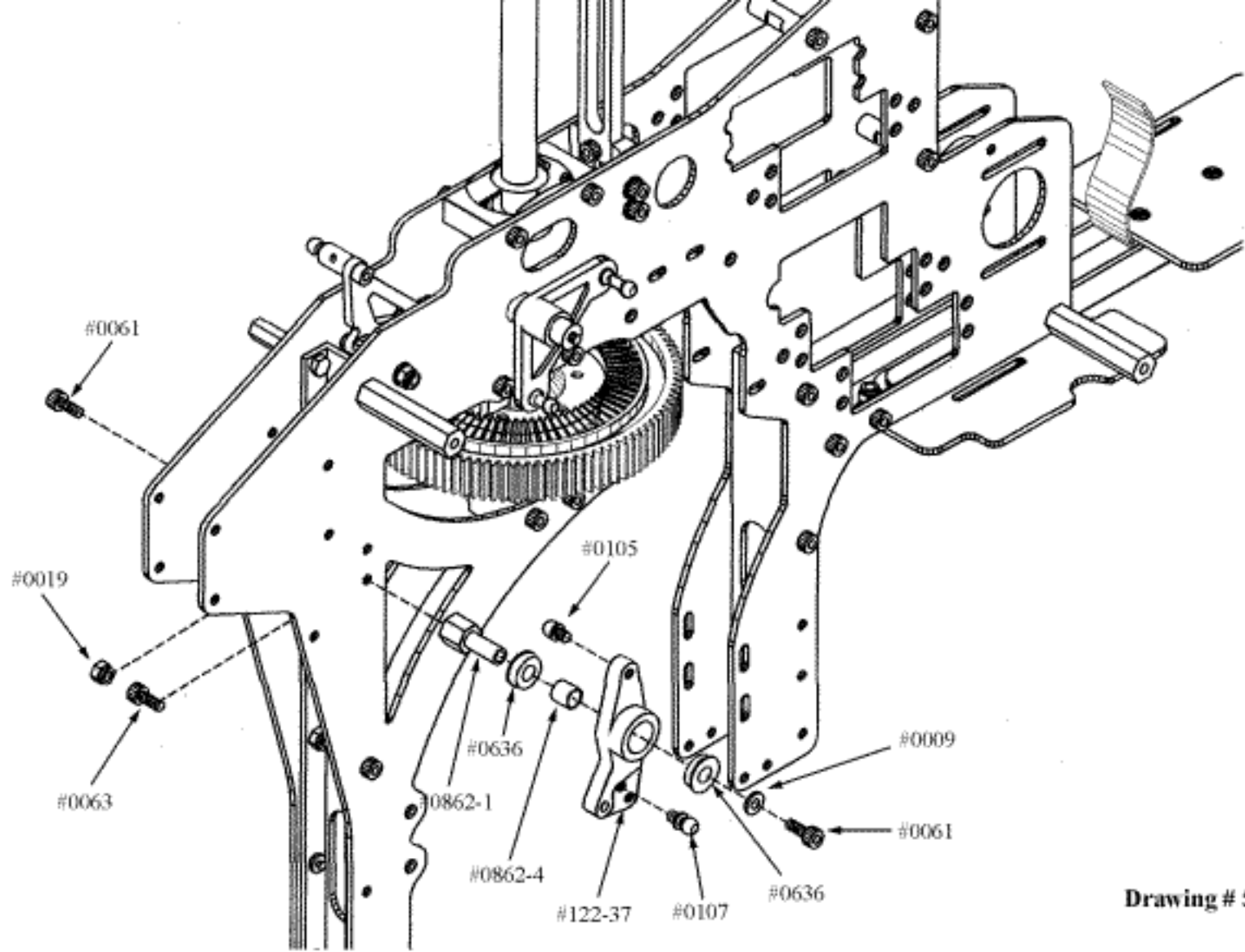
Drawing # 5A



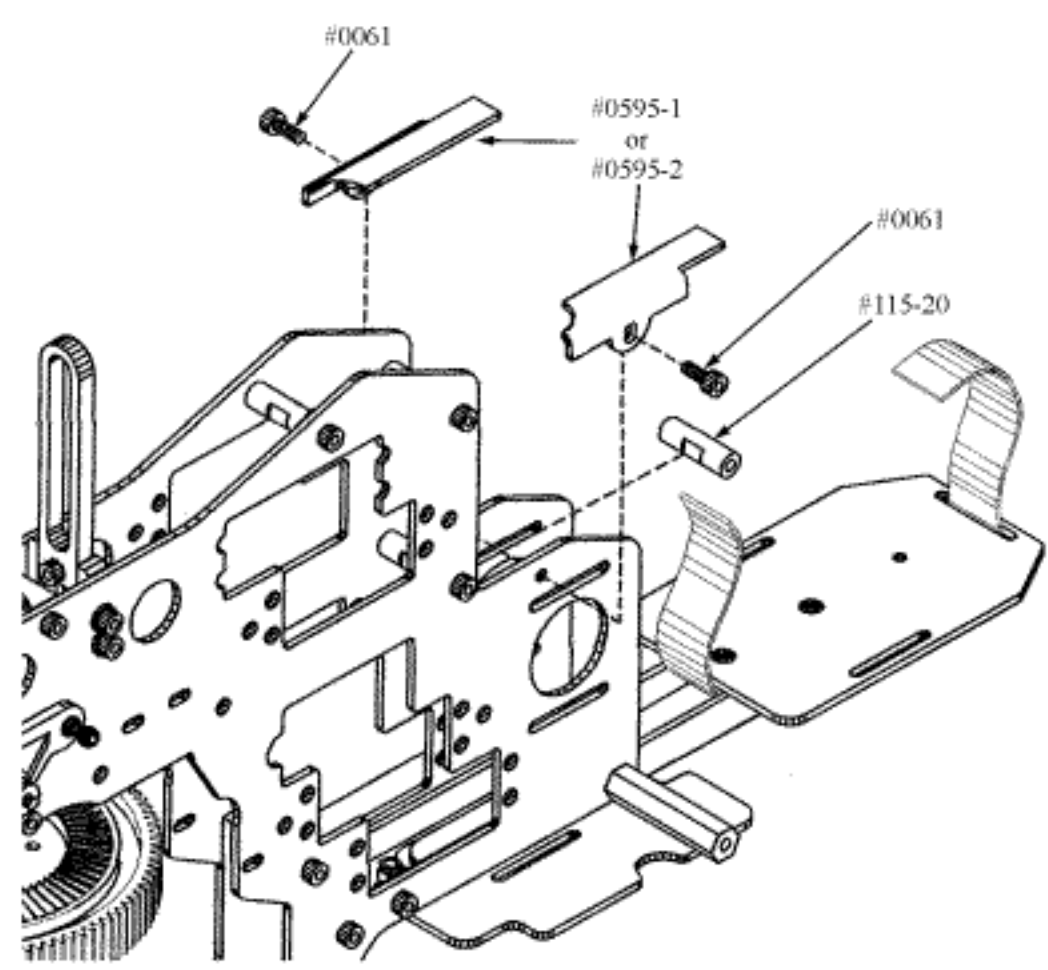
Drawing # 5B



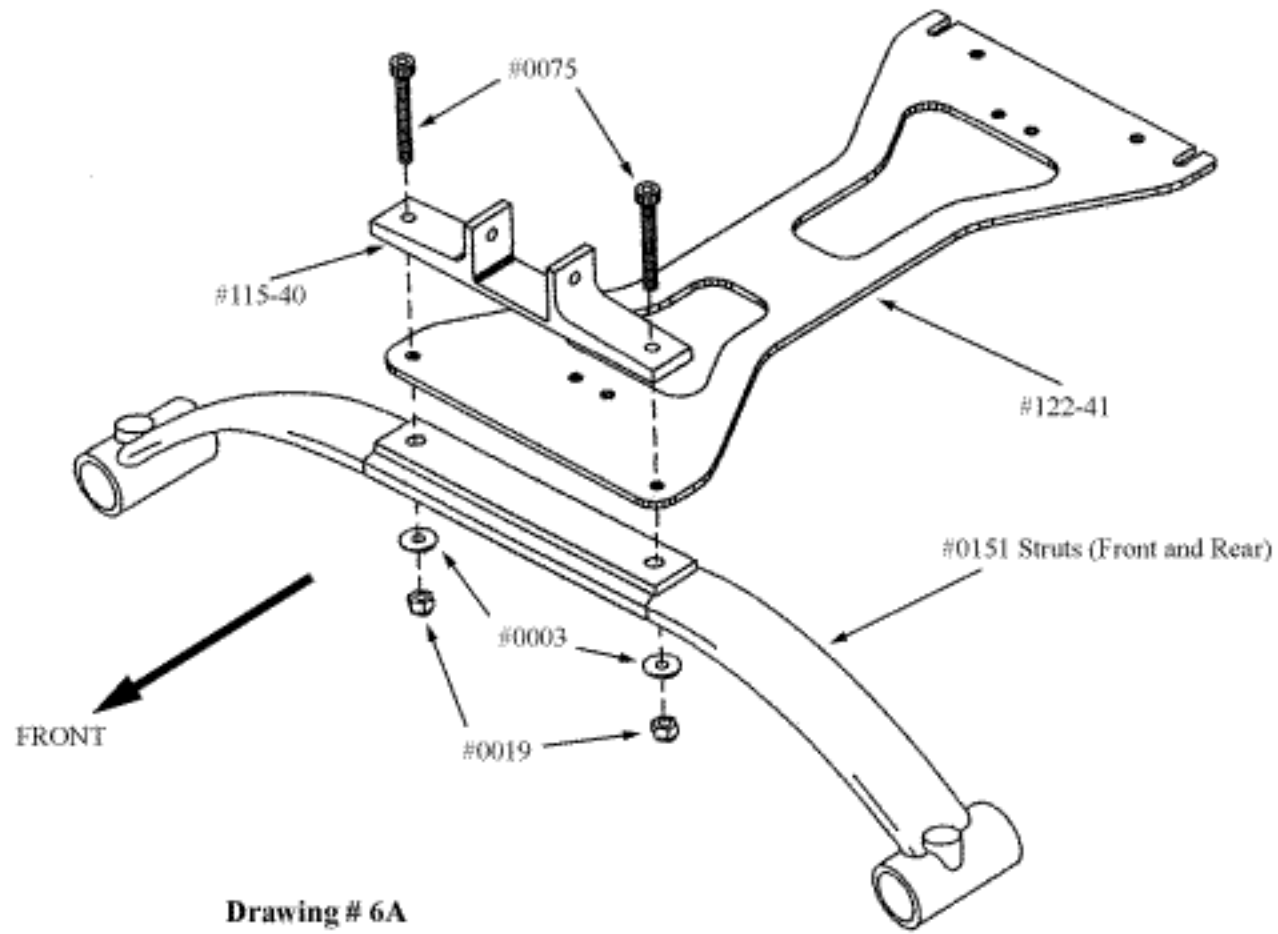
Drawing # 5C



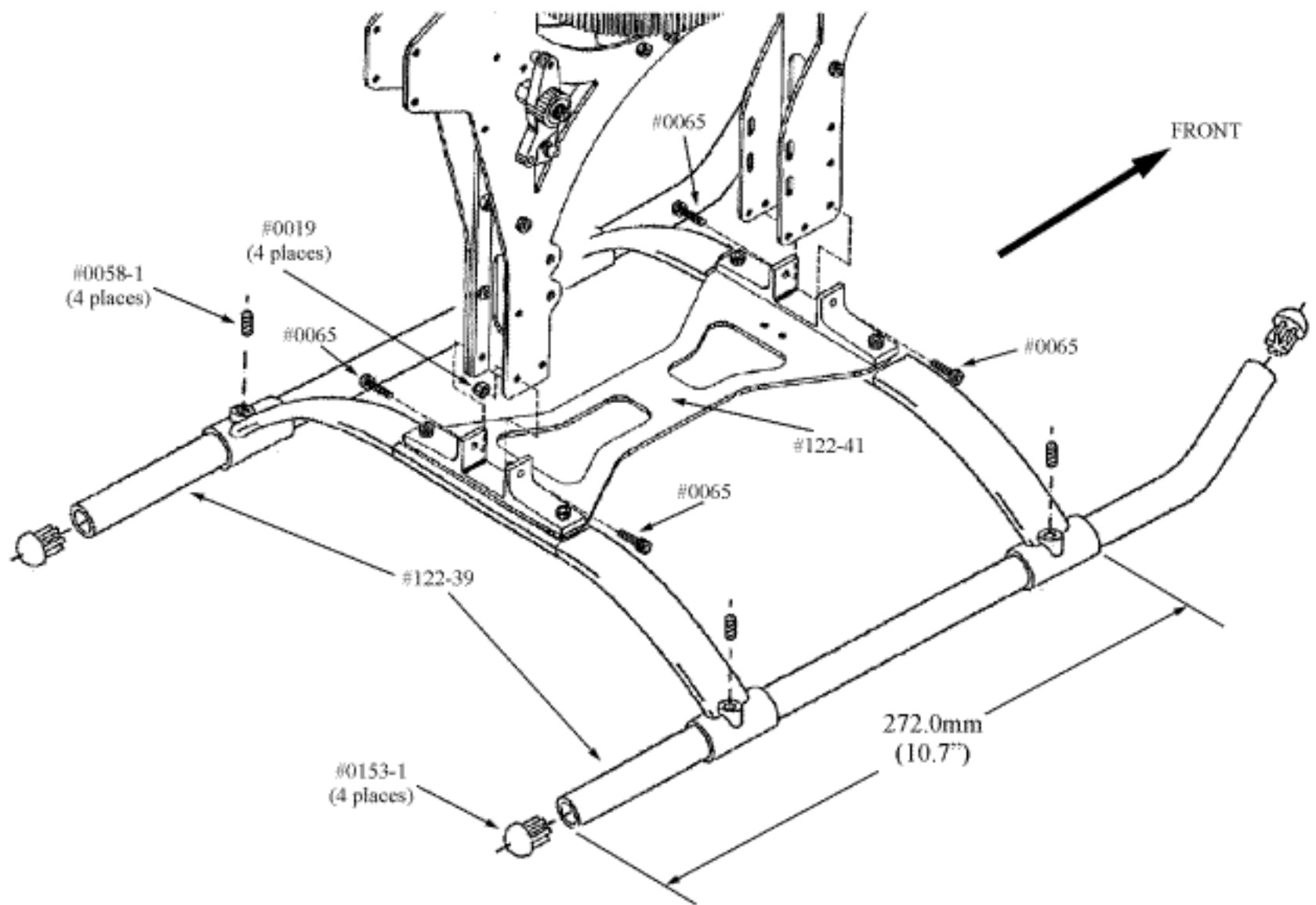
Drawing # 5D



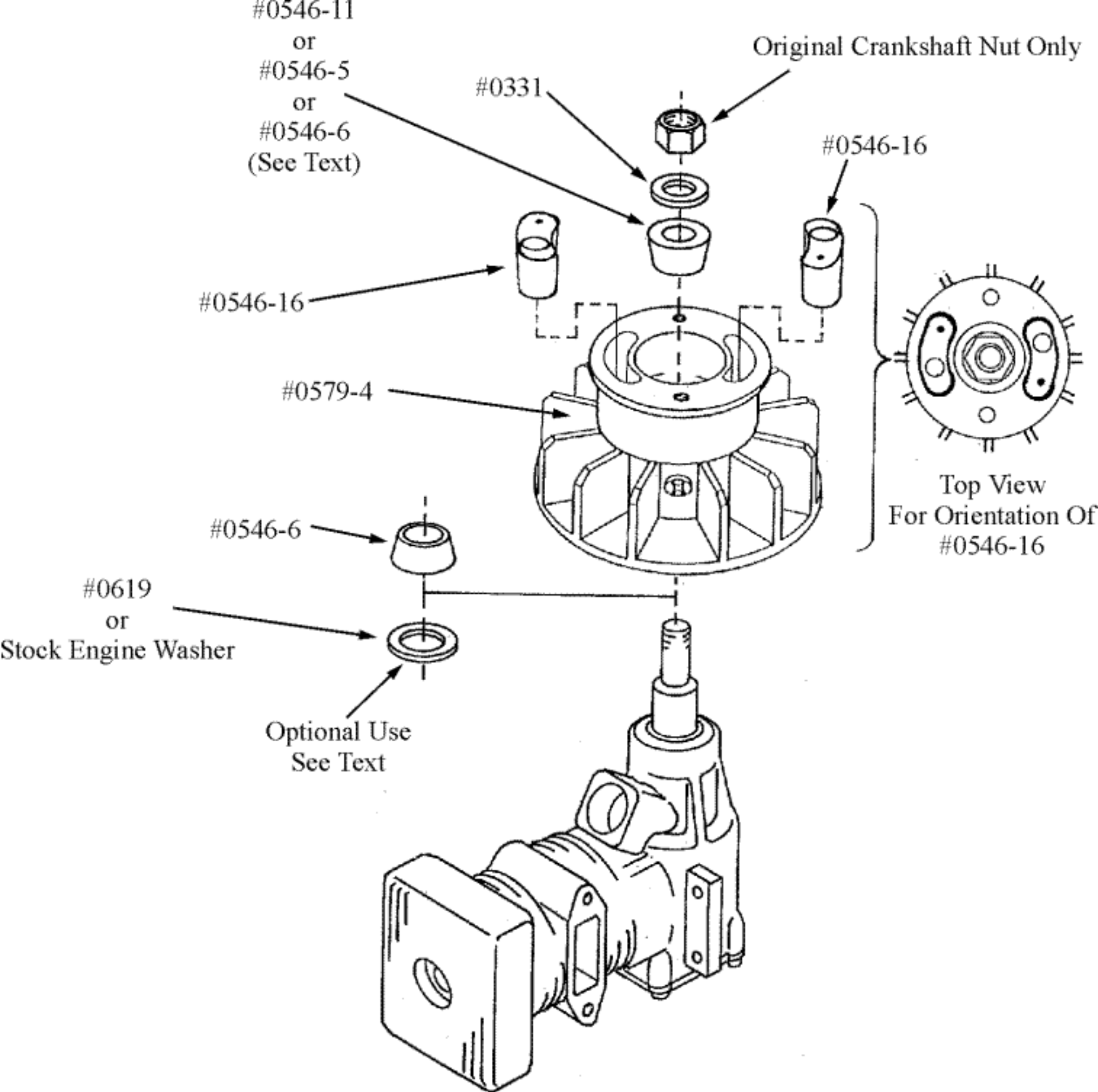
Drawing # 5E



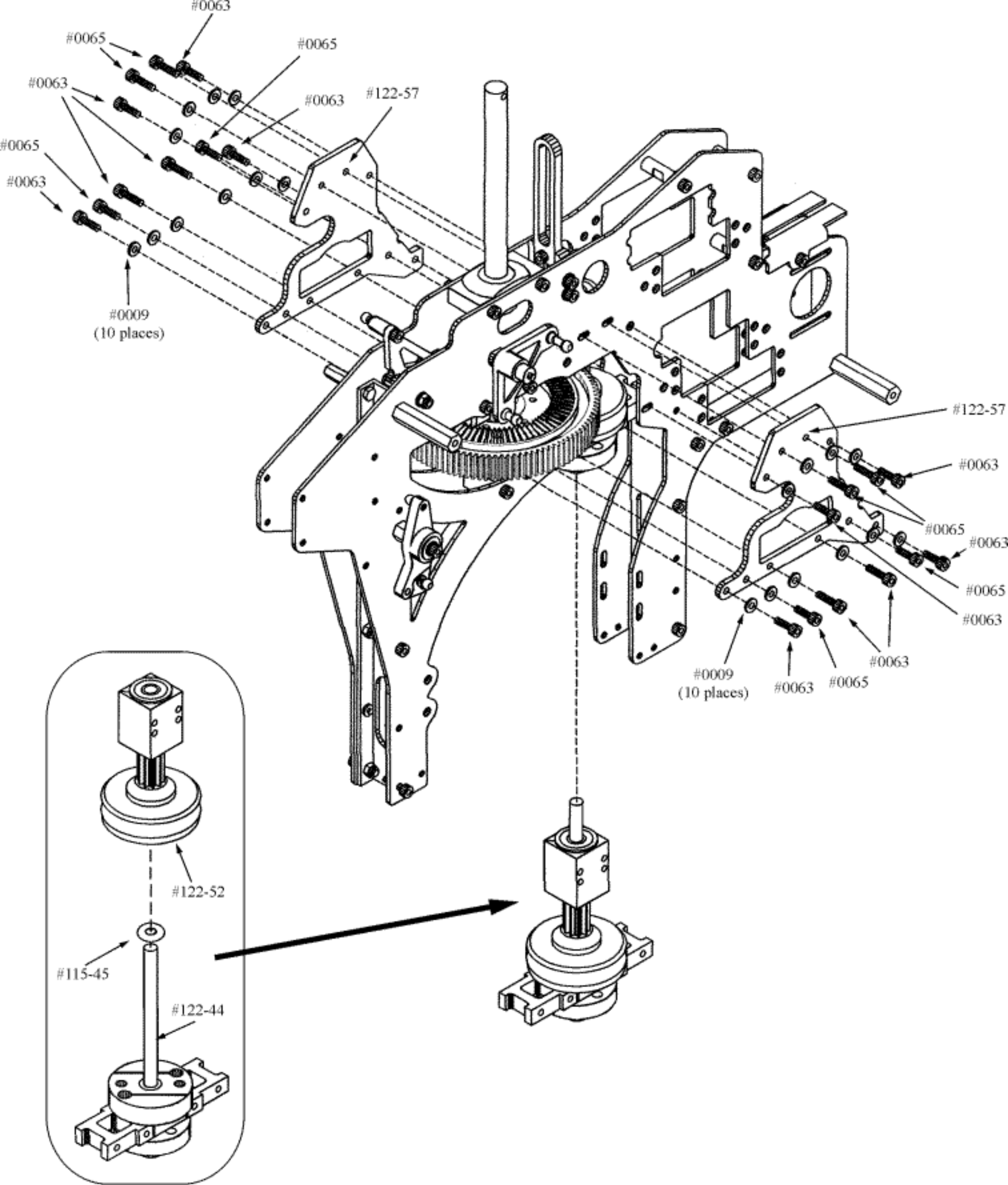
Drawing # 6A



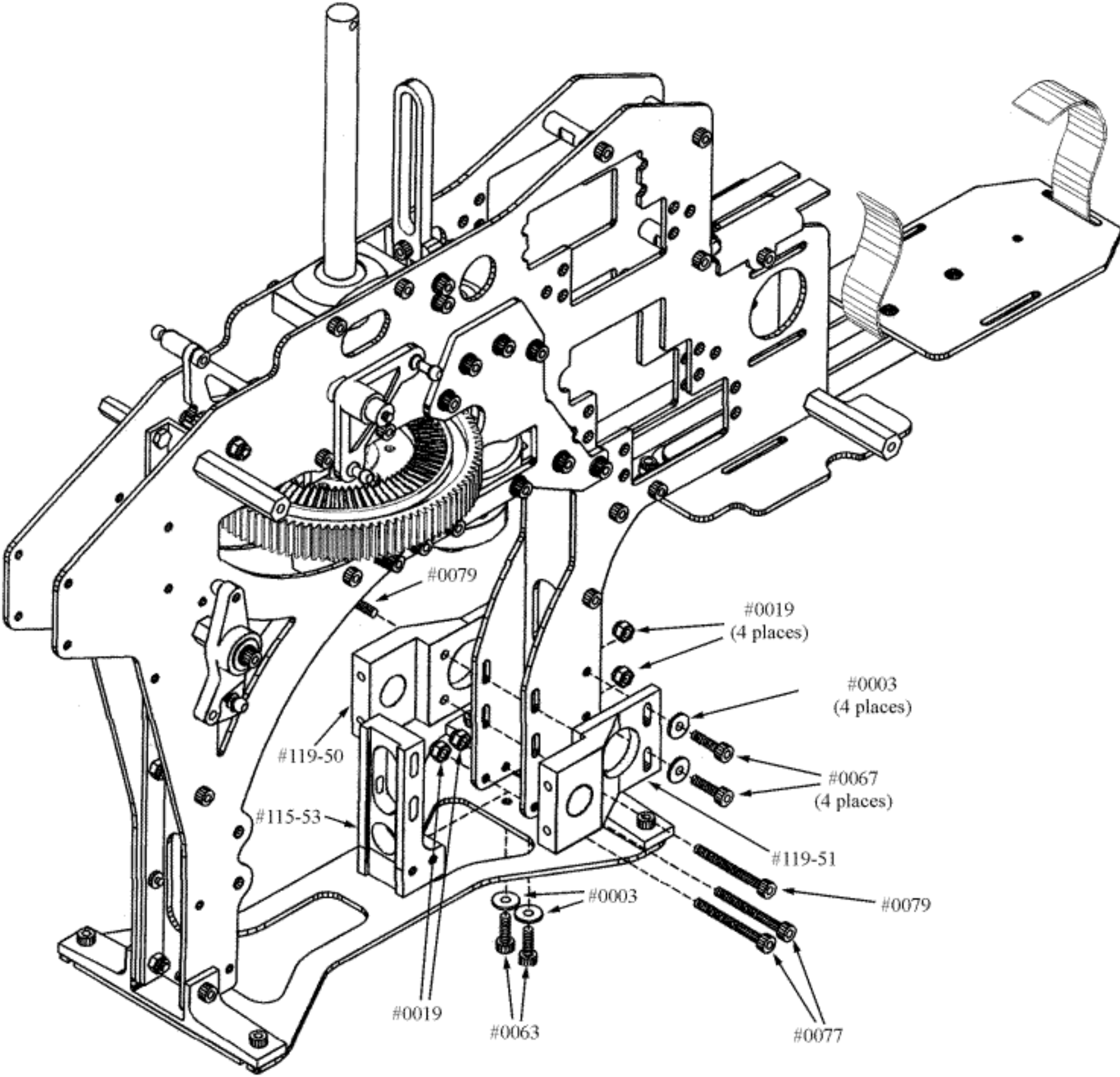
Drawing # 6B



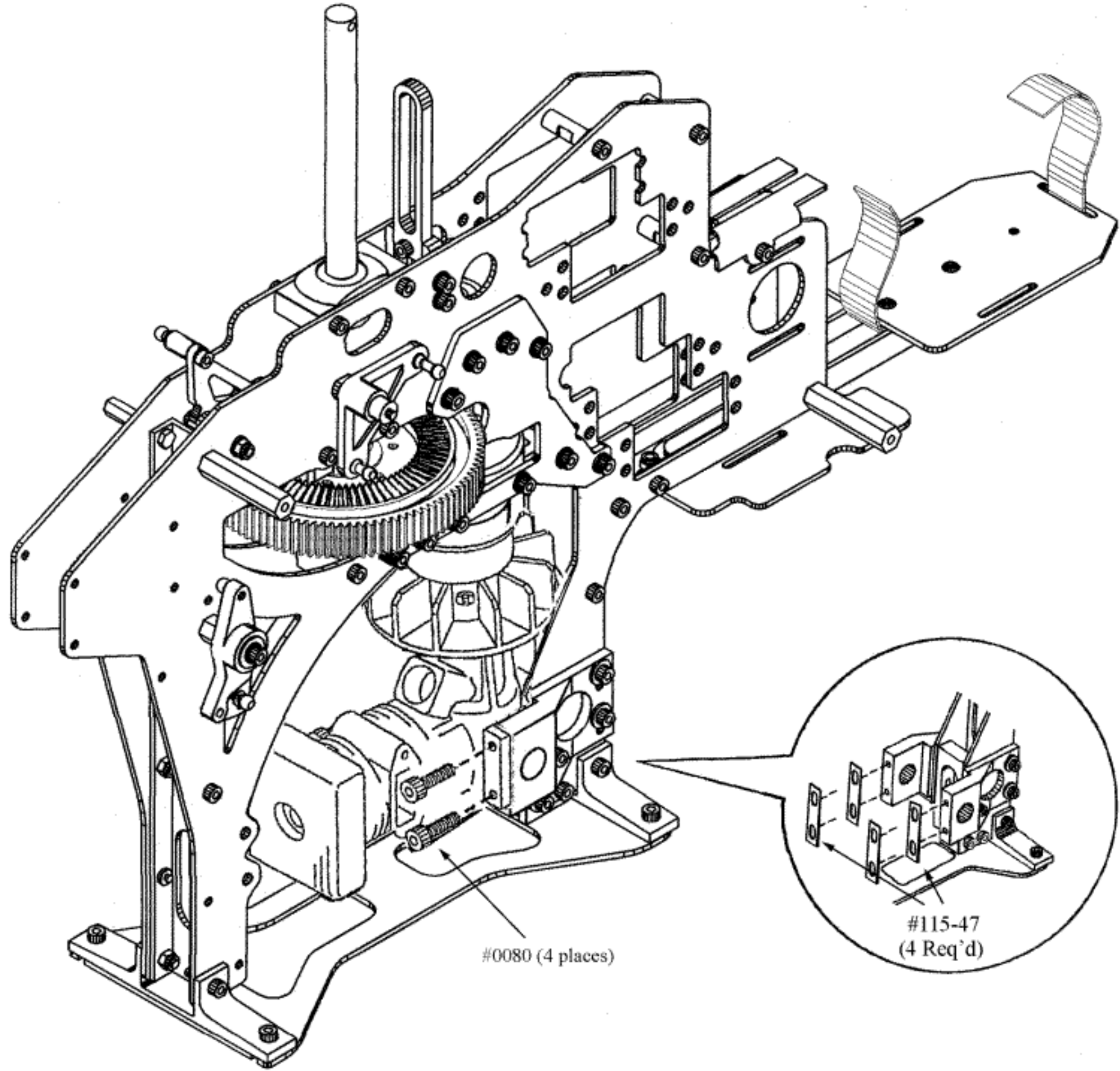
Drawing # 7A



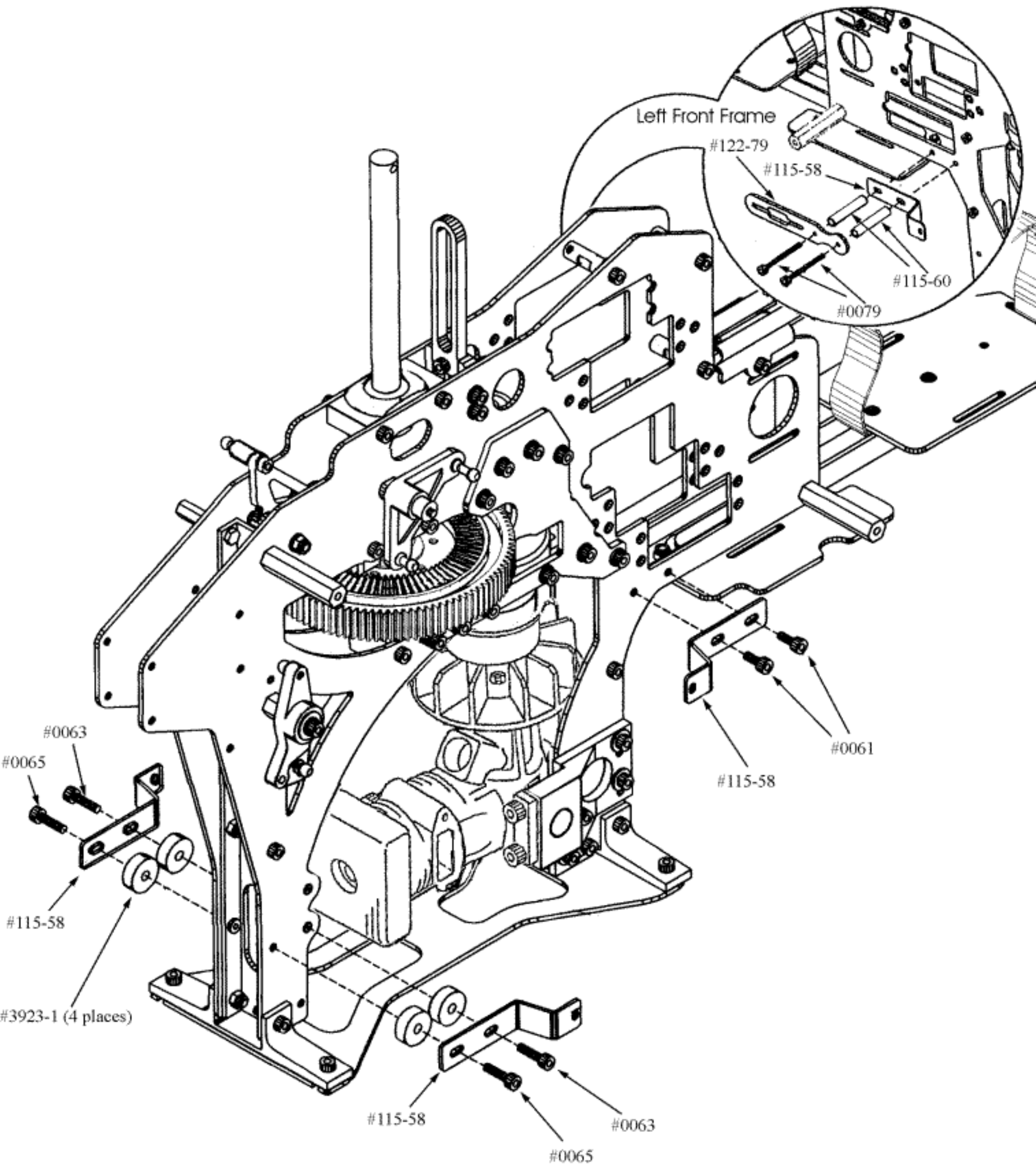
Drawing # 7B



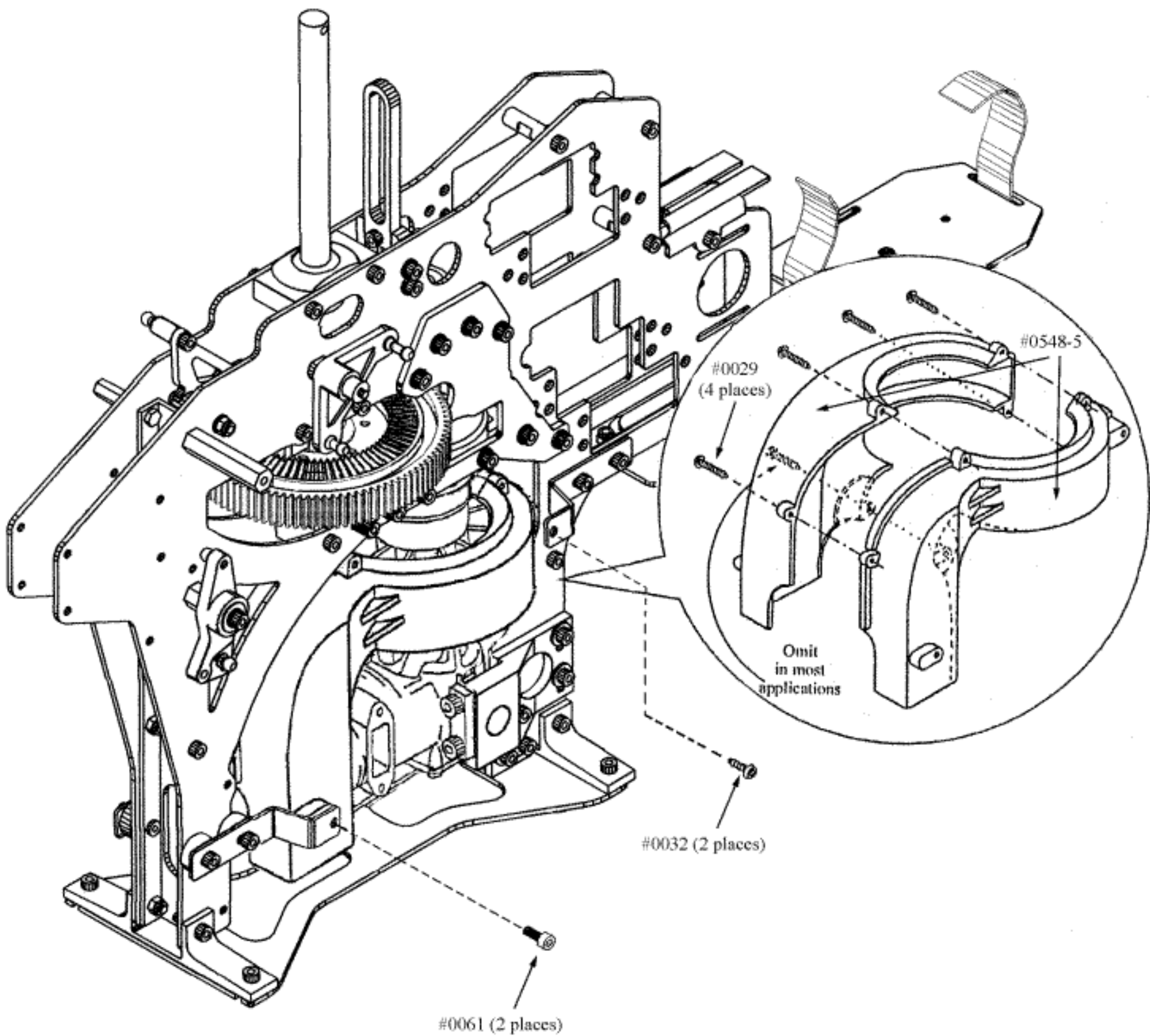
Drawing # 7C



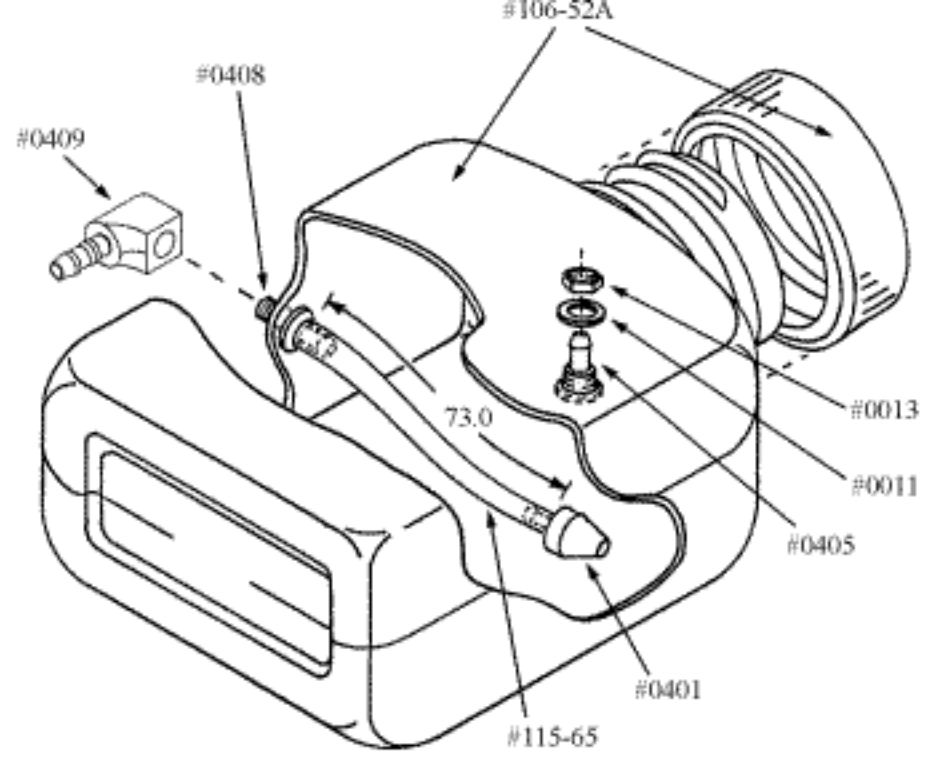
Drawing # 7D



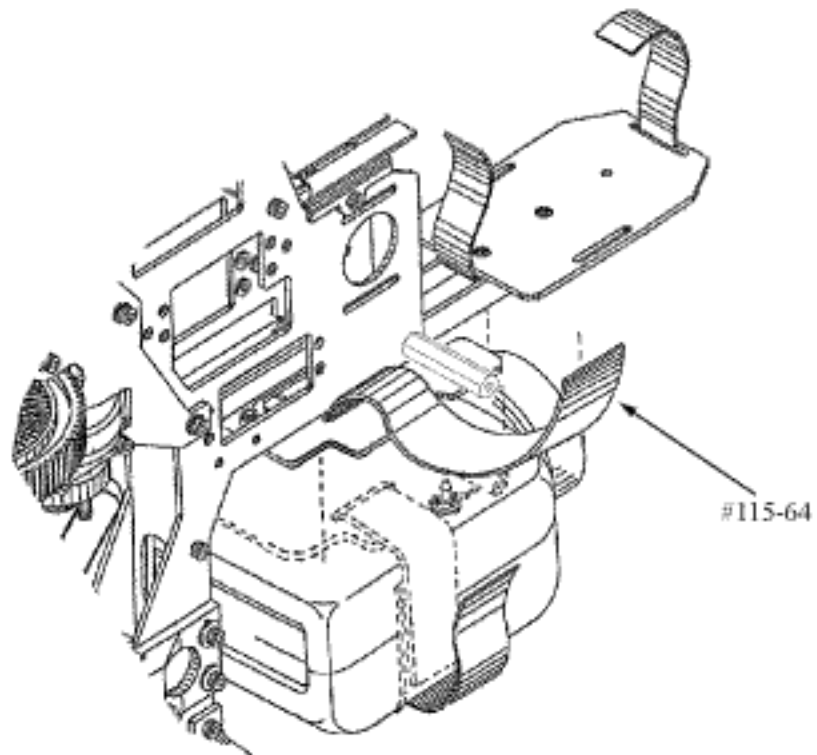
Drawing # 7E



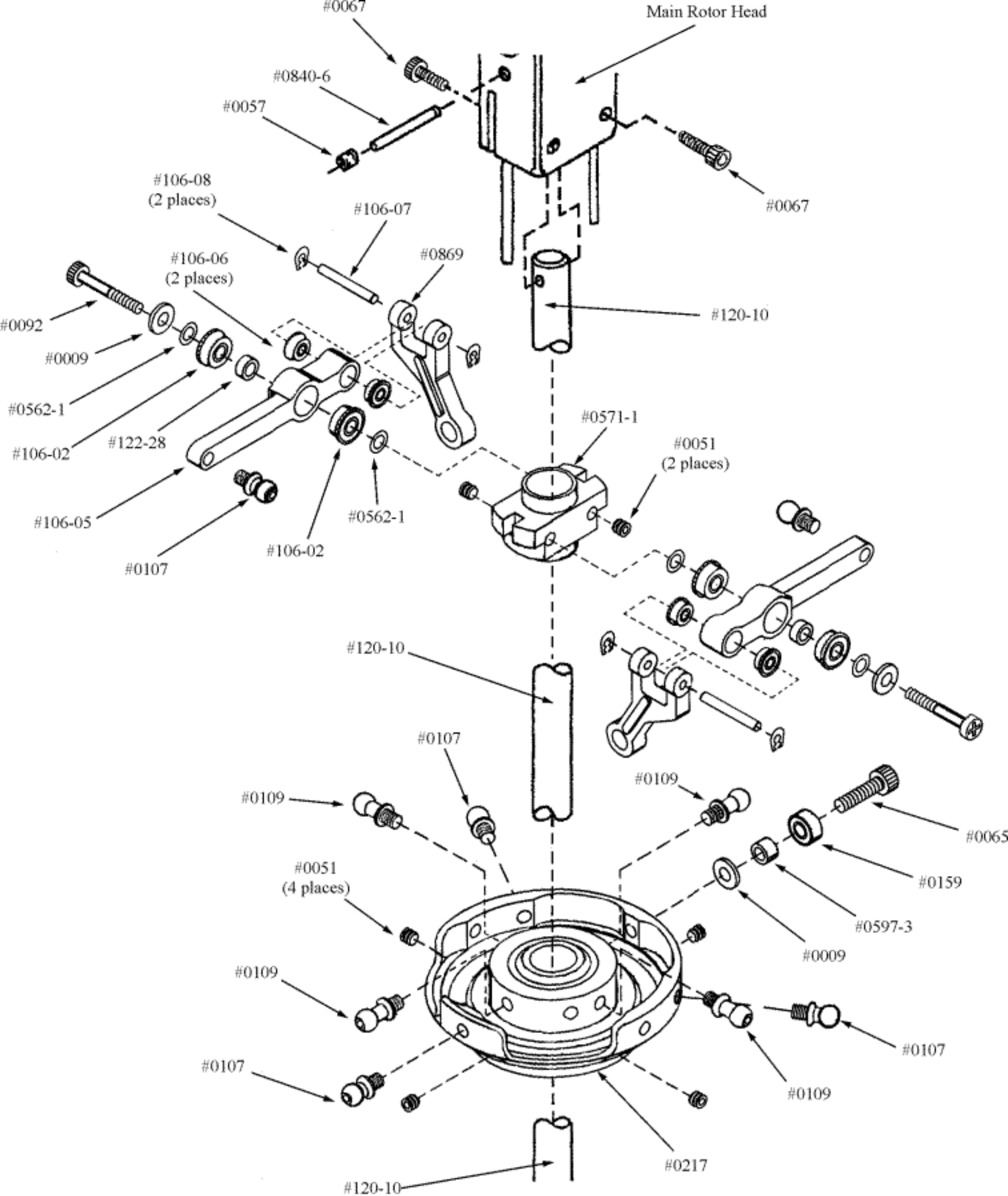
Drawing # 7F



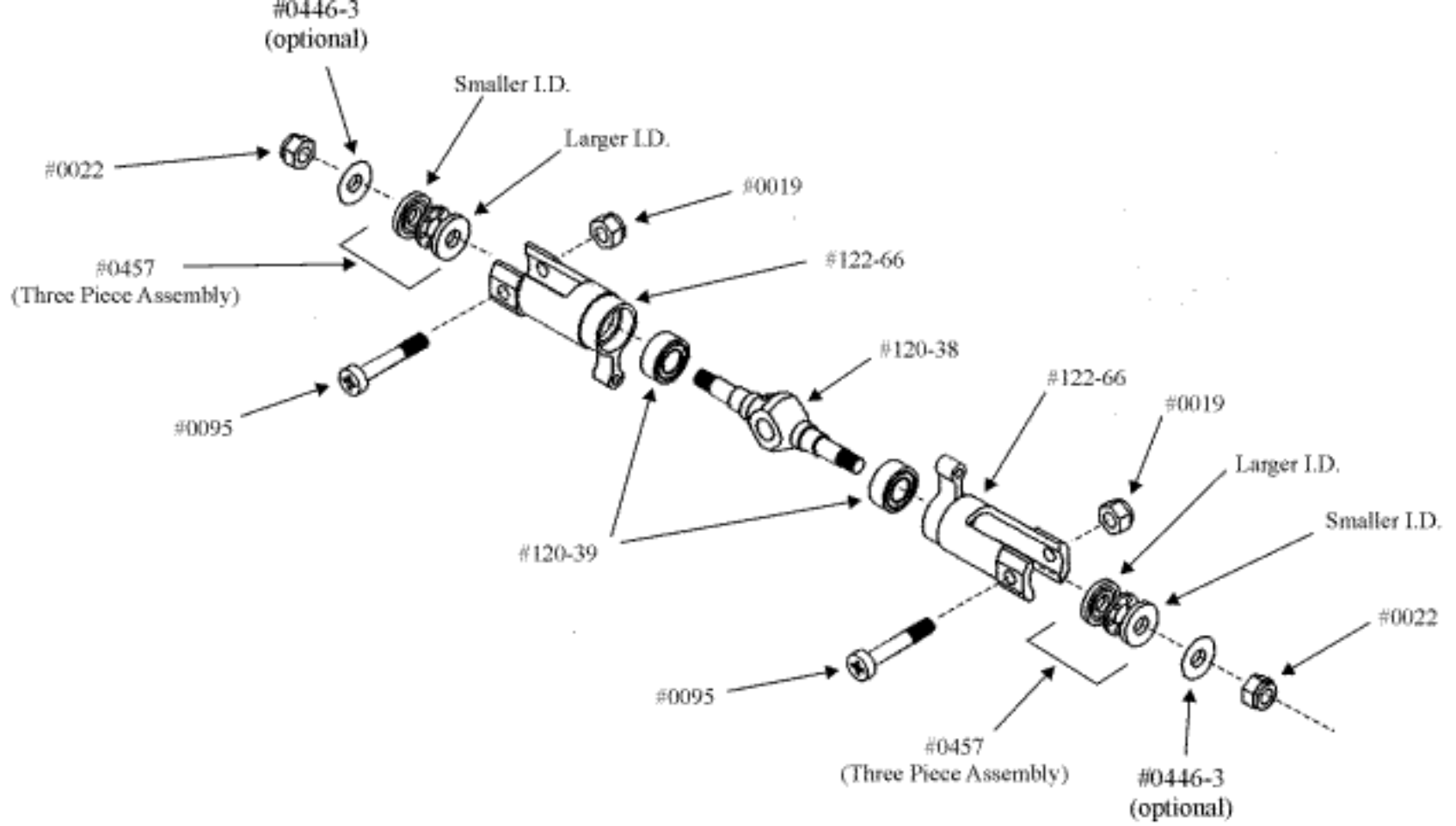
Drawing # 8A



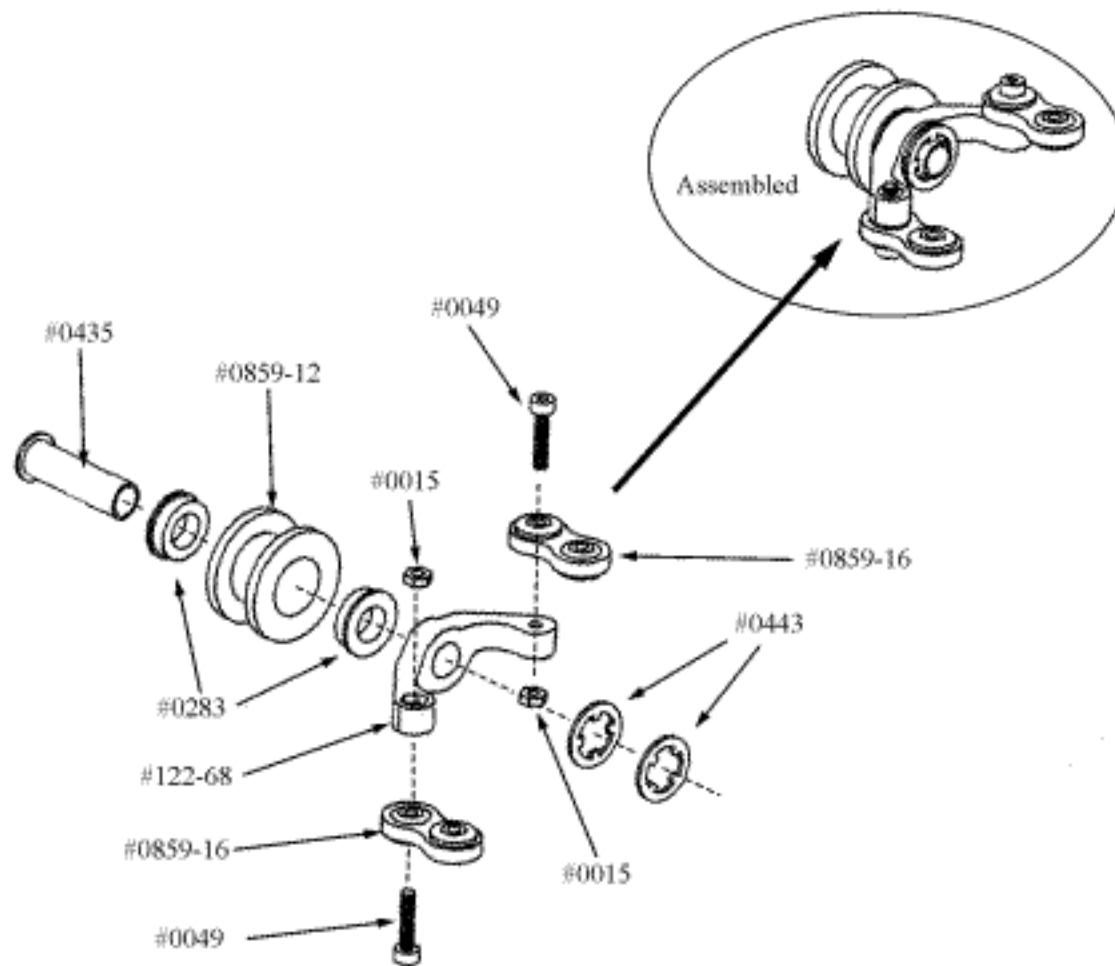
Drawing # 8B



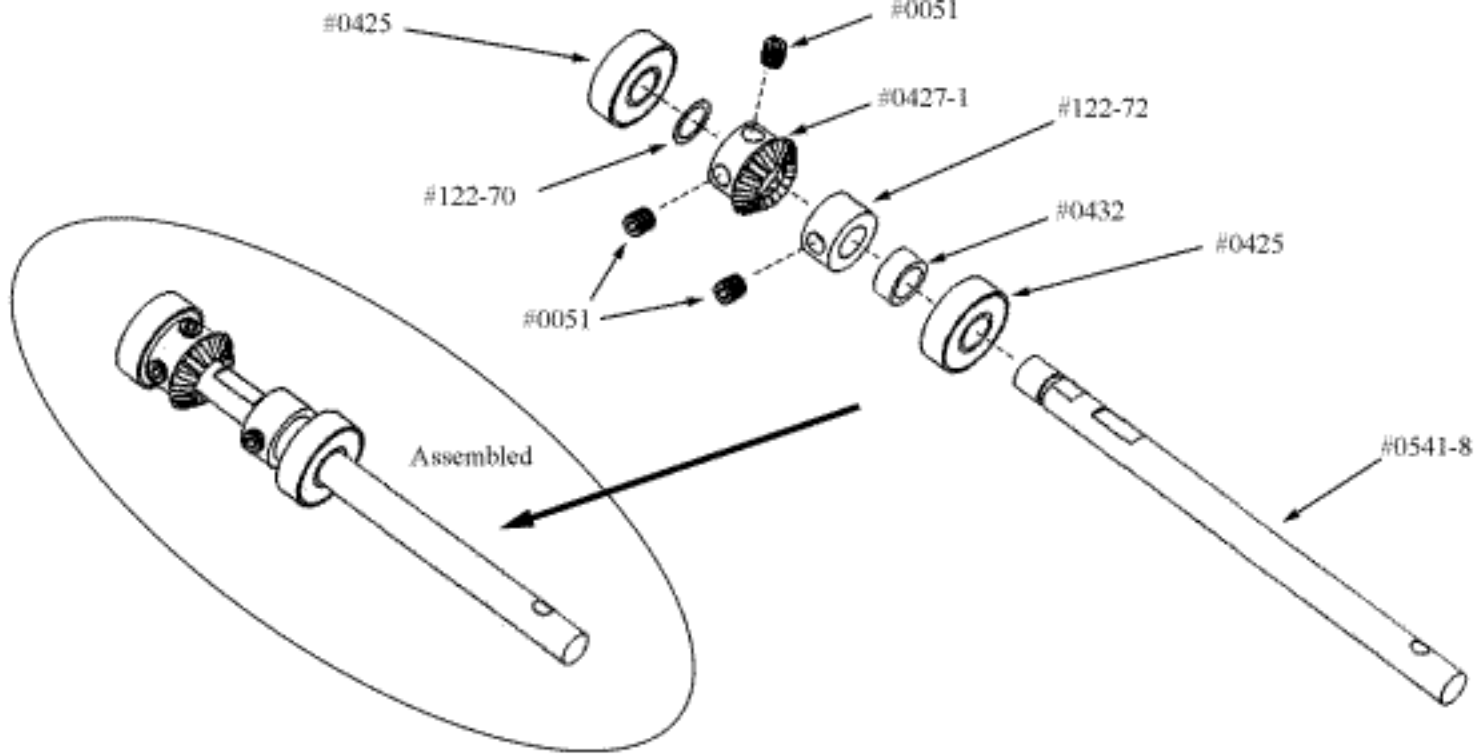
Drawing # 9A



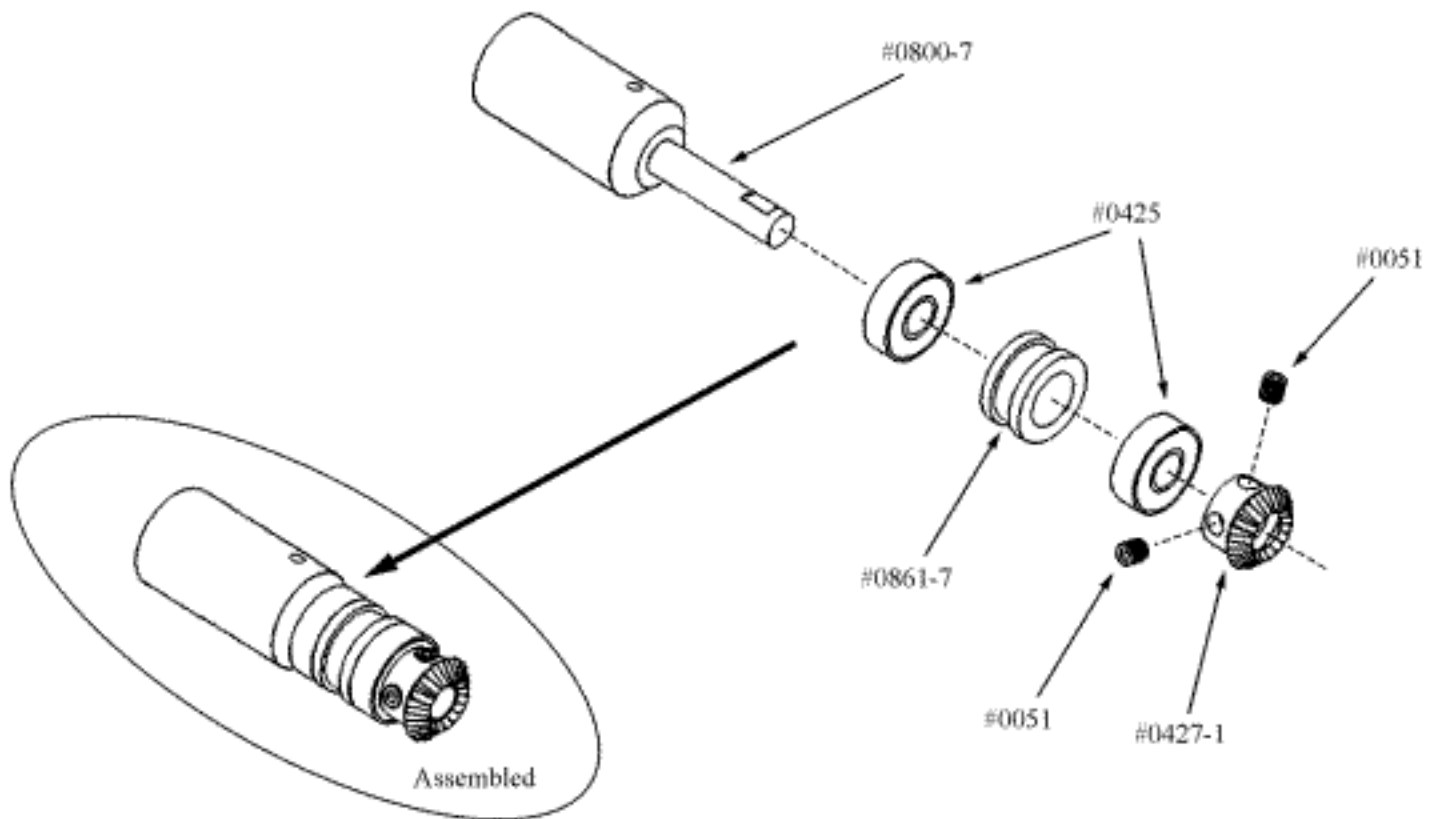
Drawing # 10A



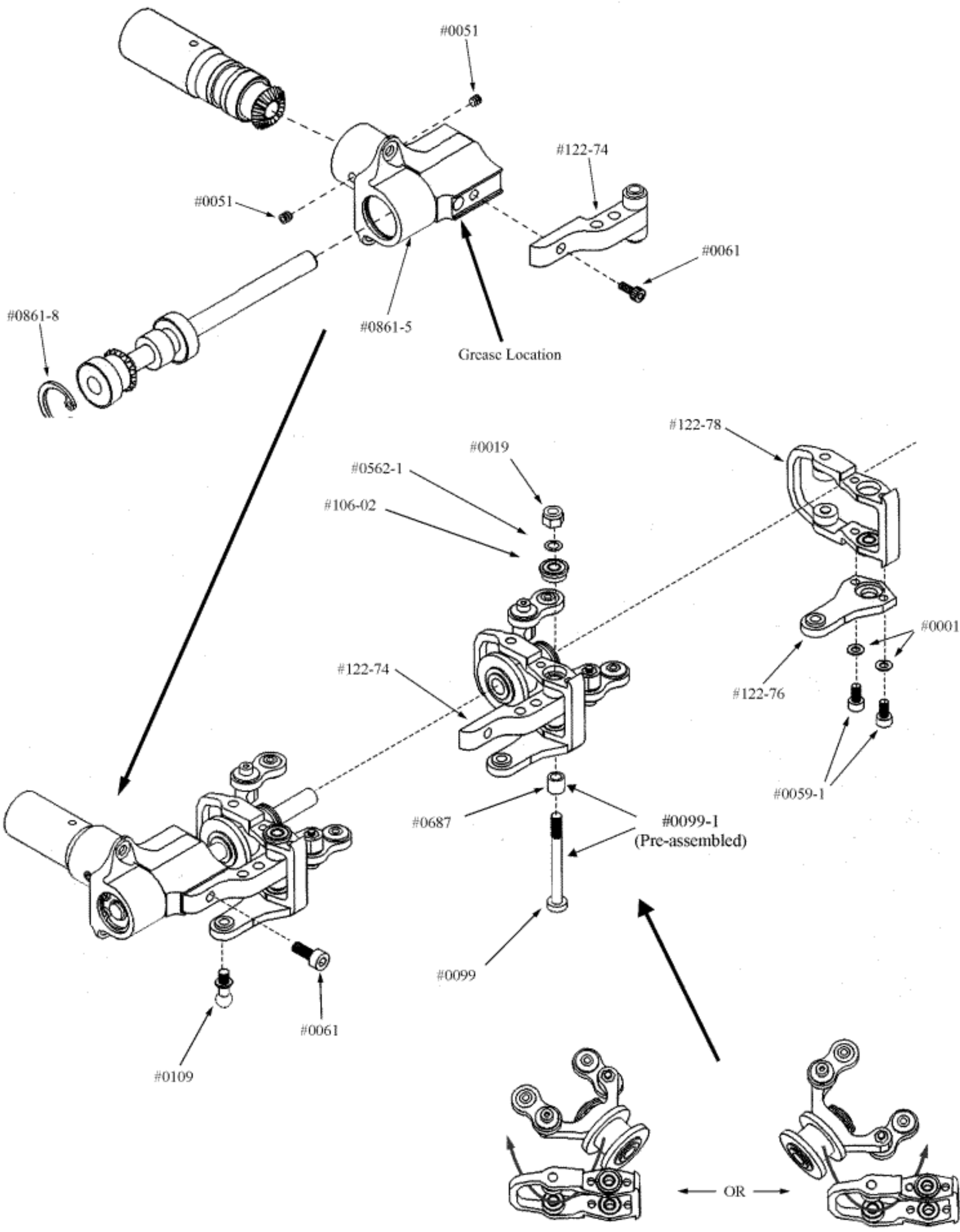
Drawing # 10B



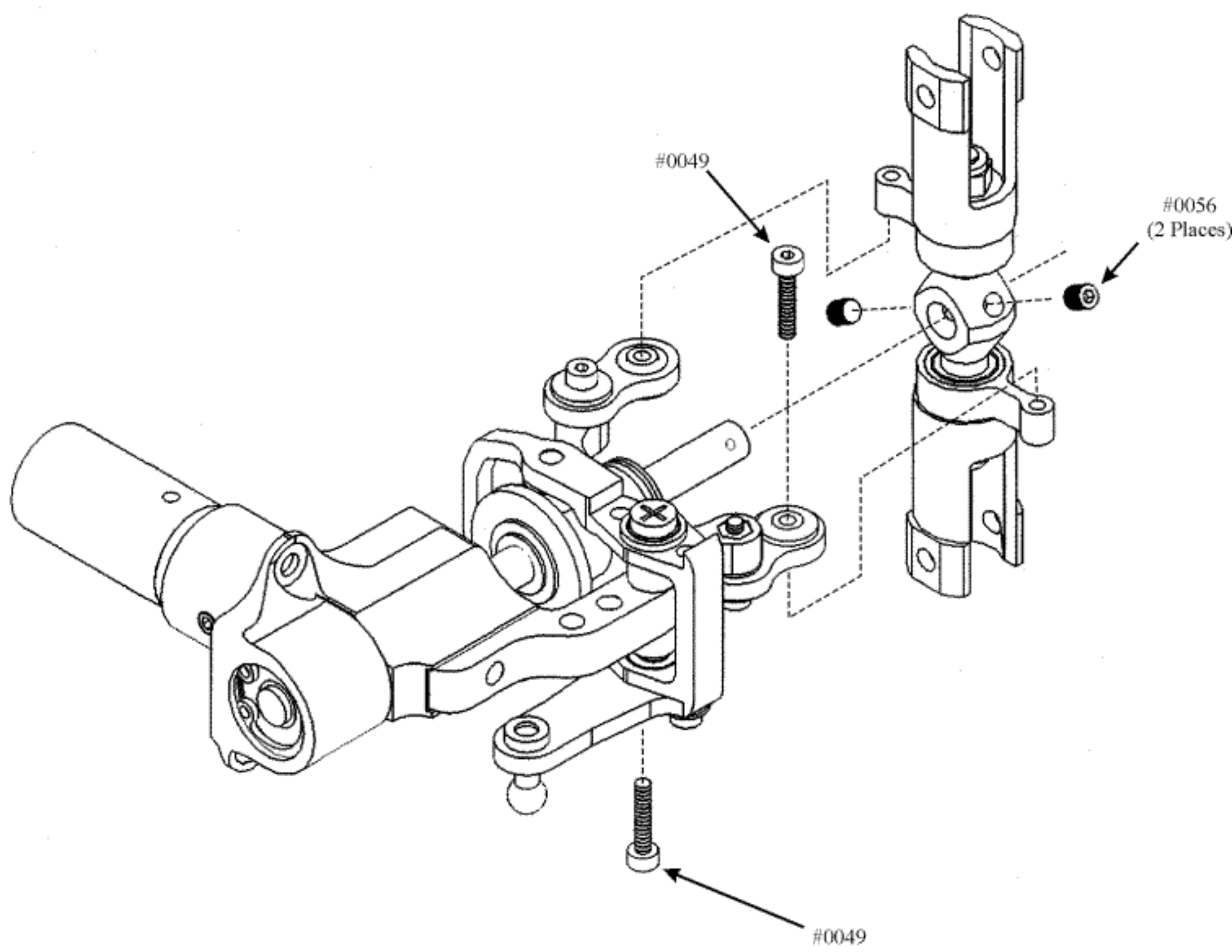
Drawing # 10C-1



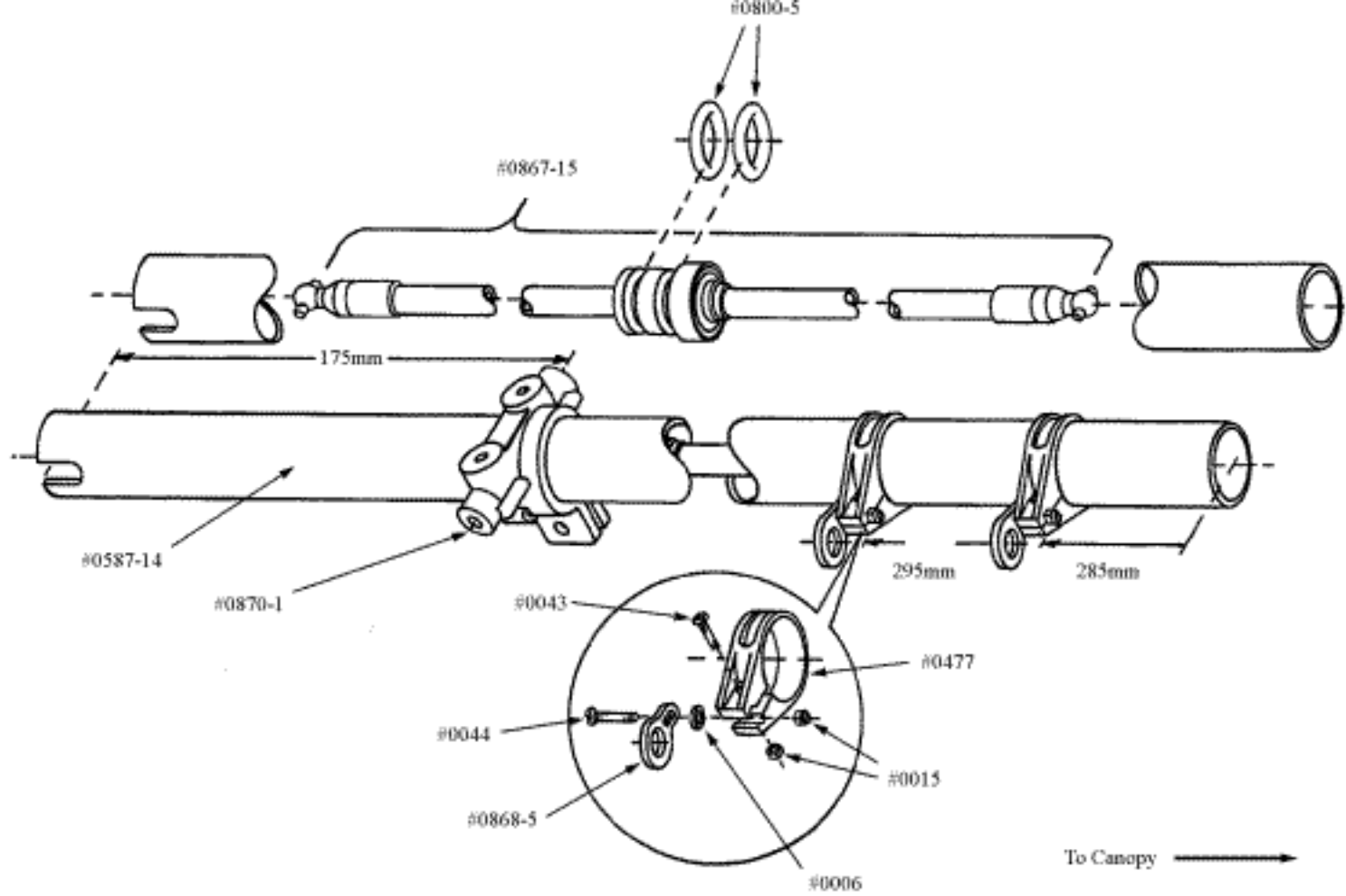
Drawing # 10C-2



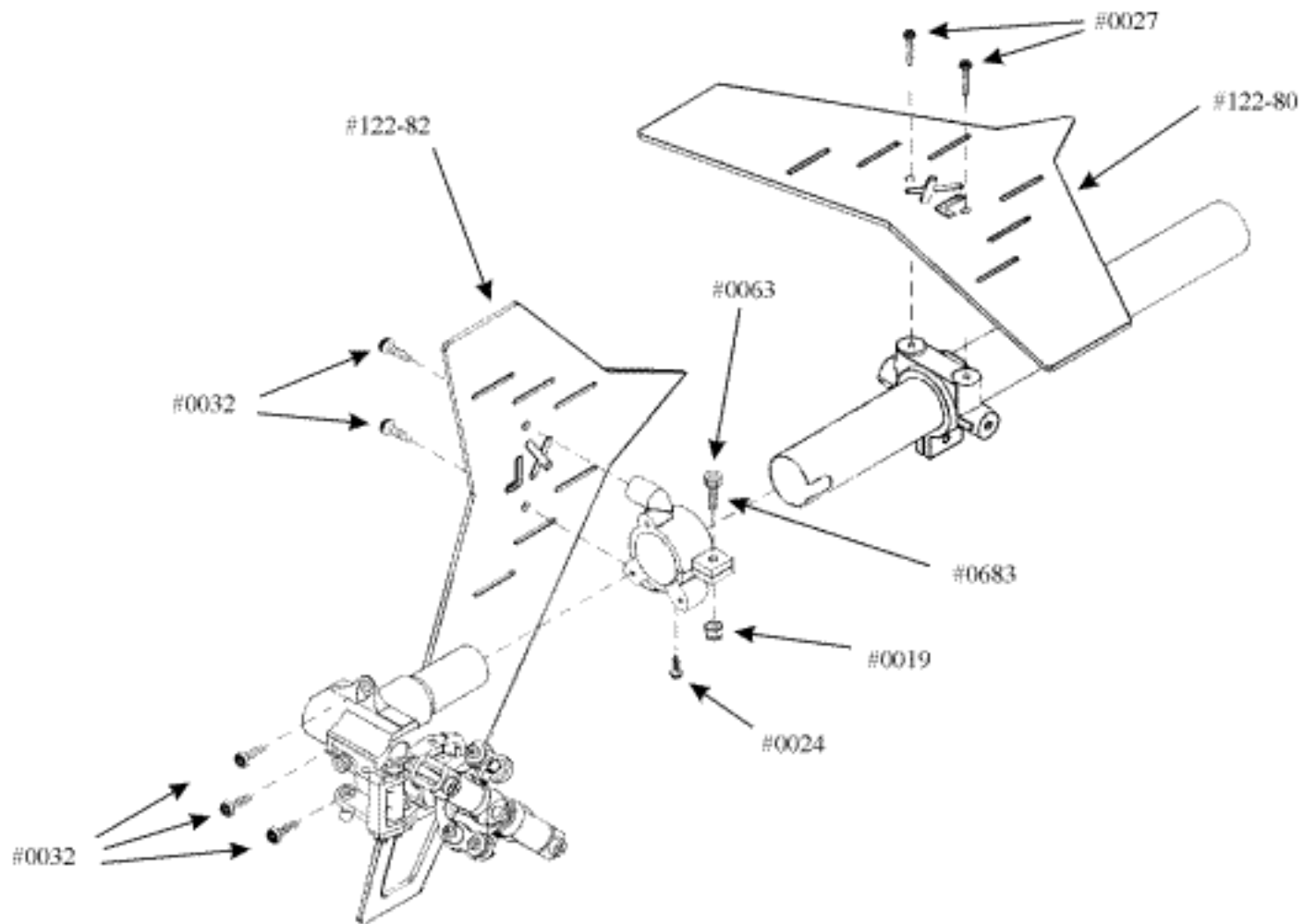
Drawing # 10C-3



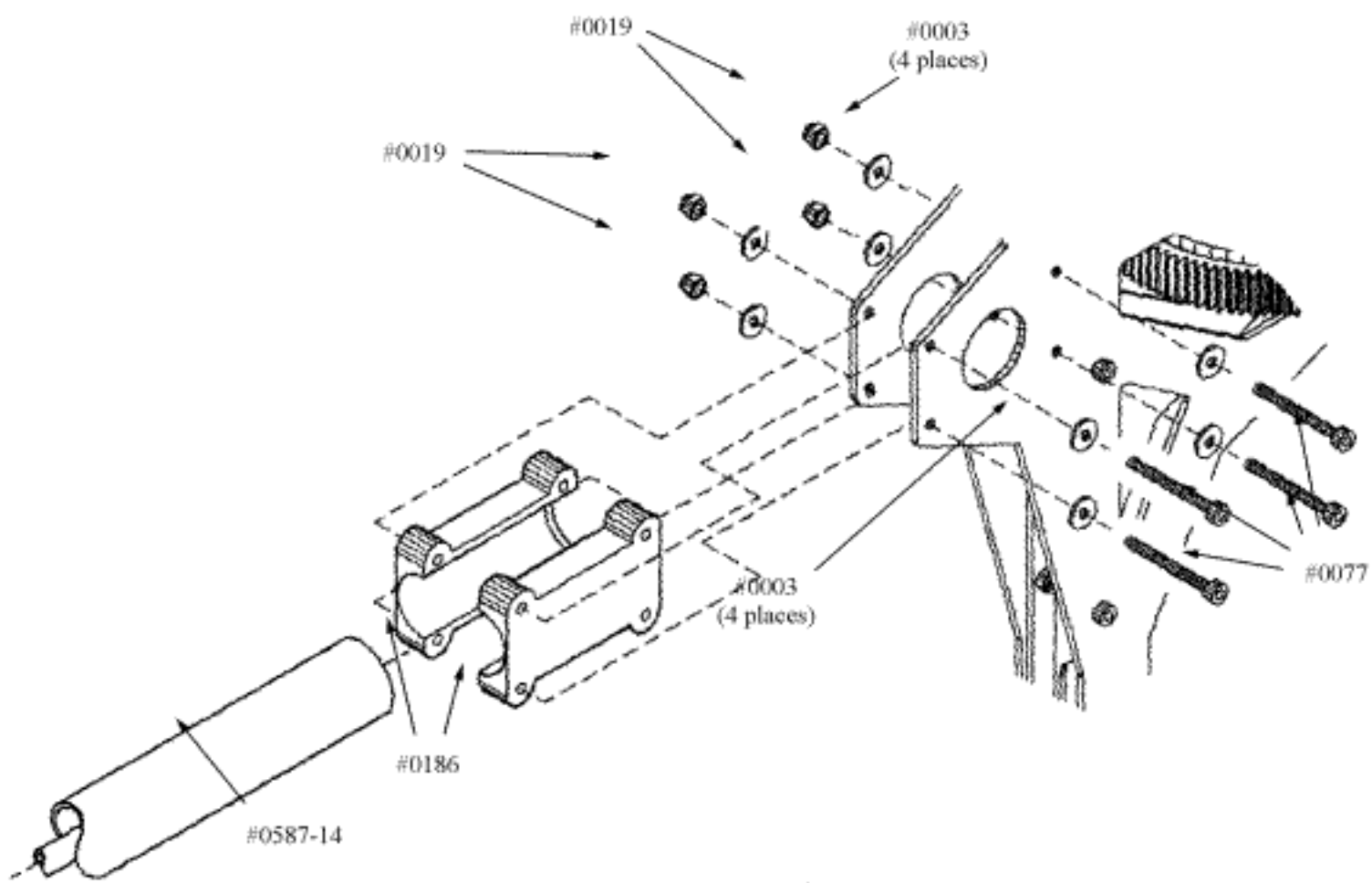
Drawing # 10C-4



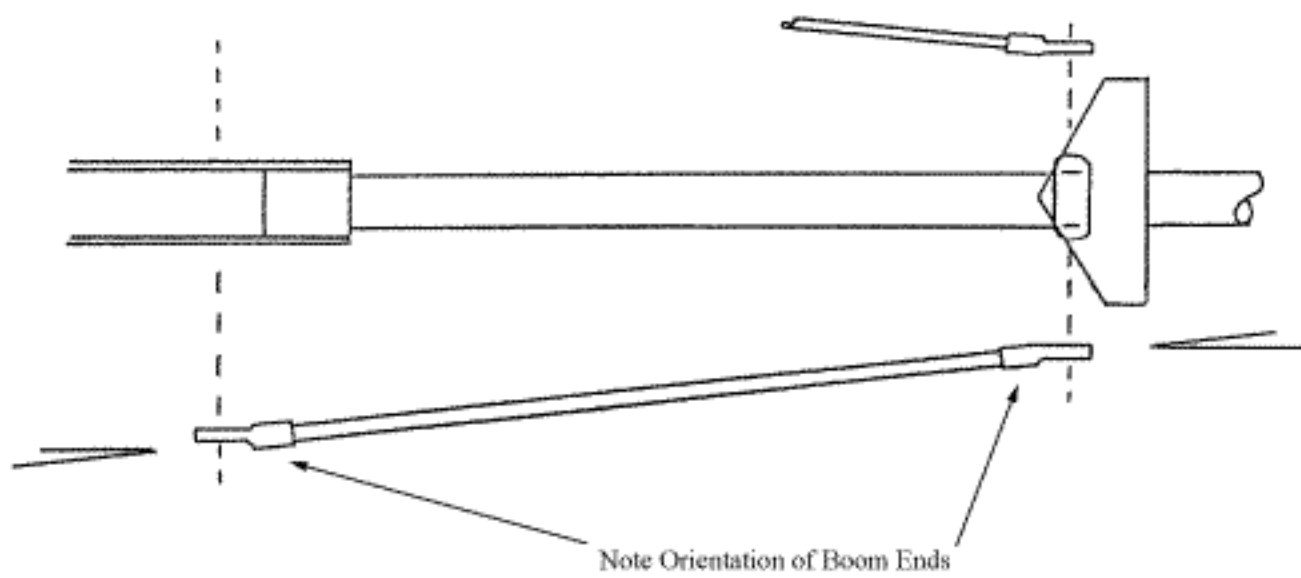
Drawing #11A



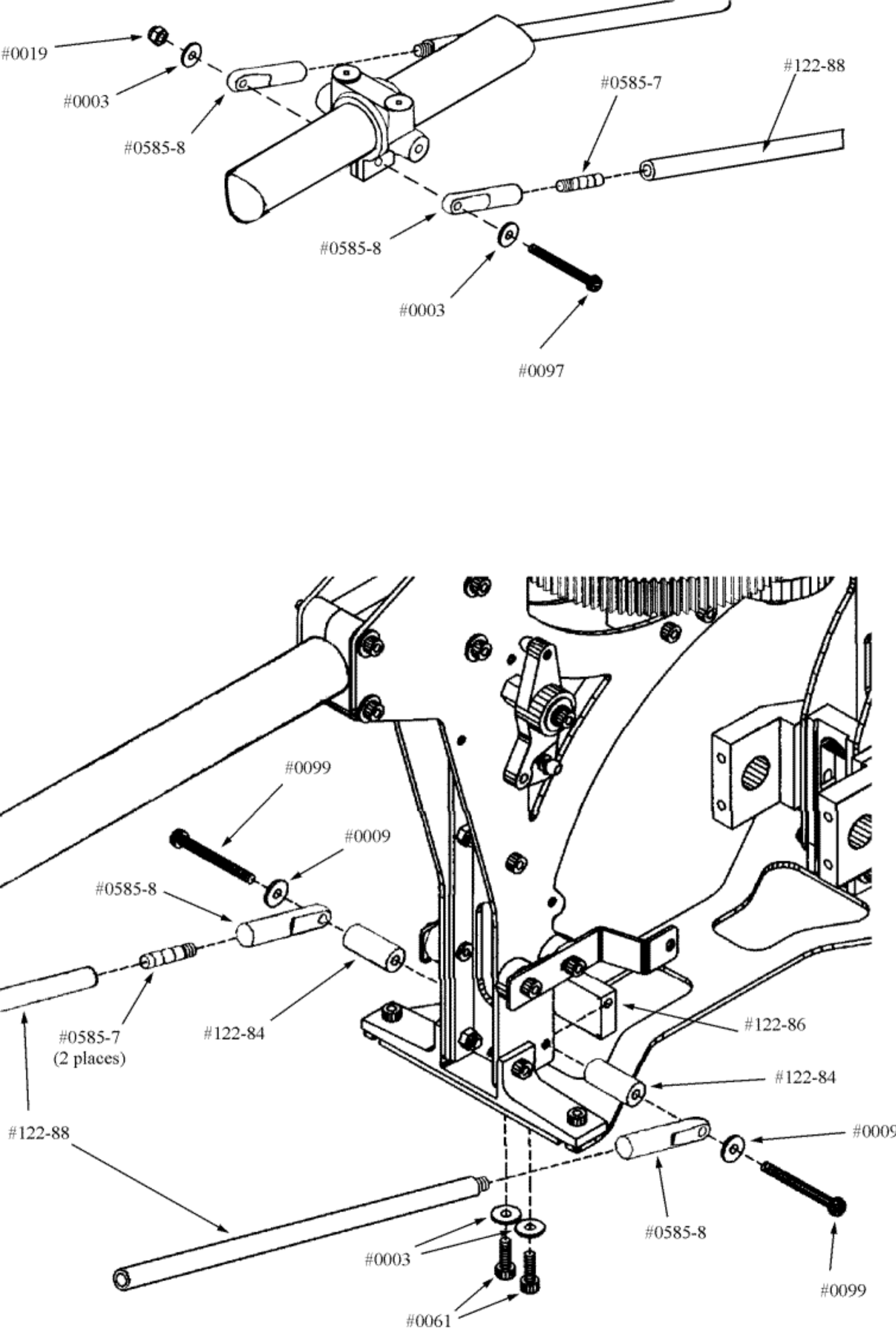
Drawing # 11B



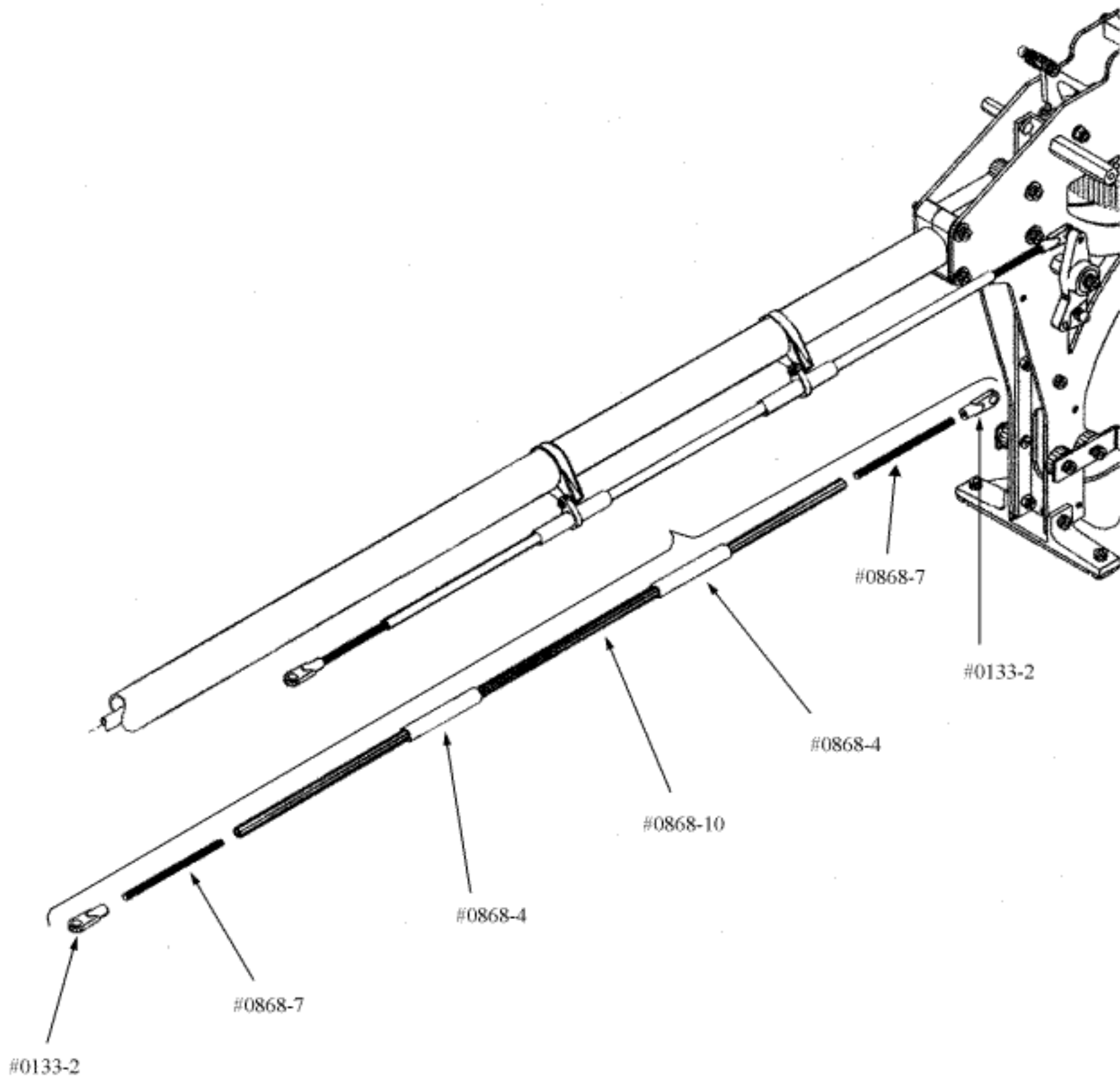
Drawing # 11C



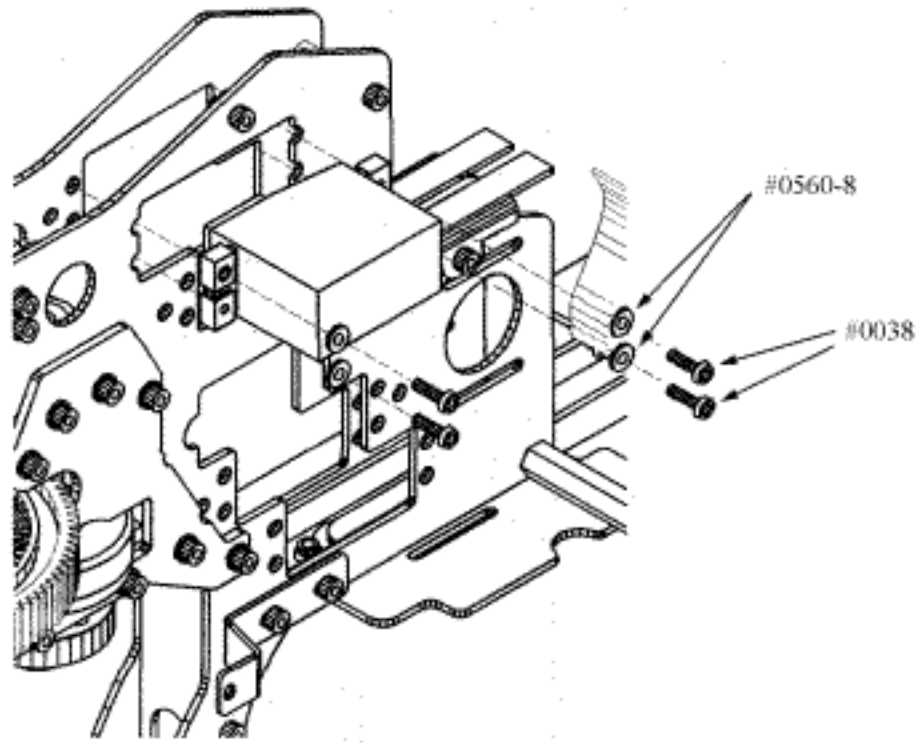
Drawing # 11D



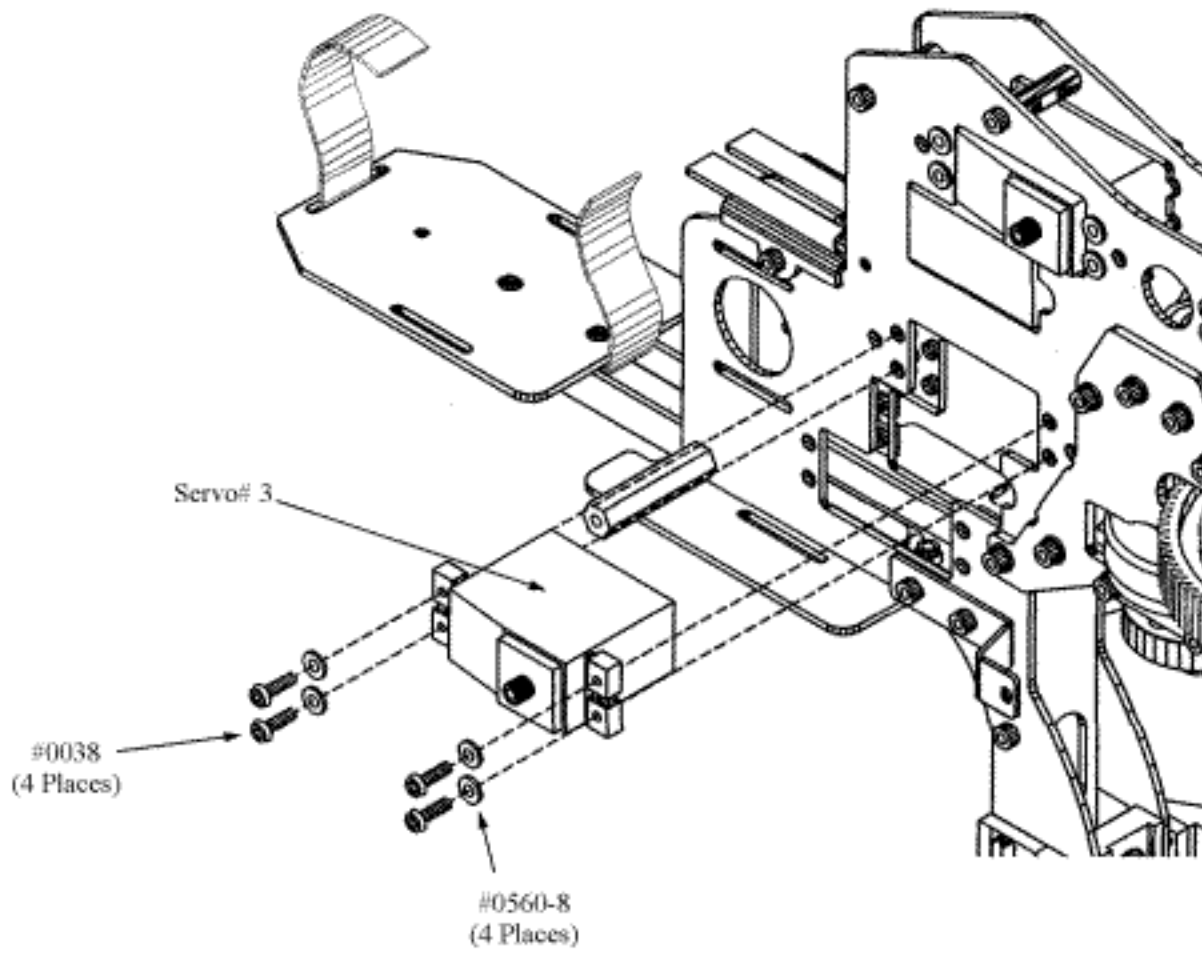
Drawing # 11E



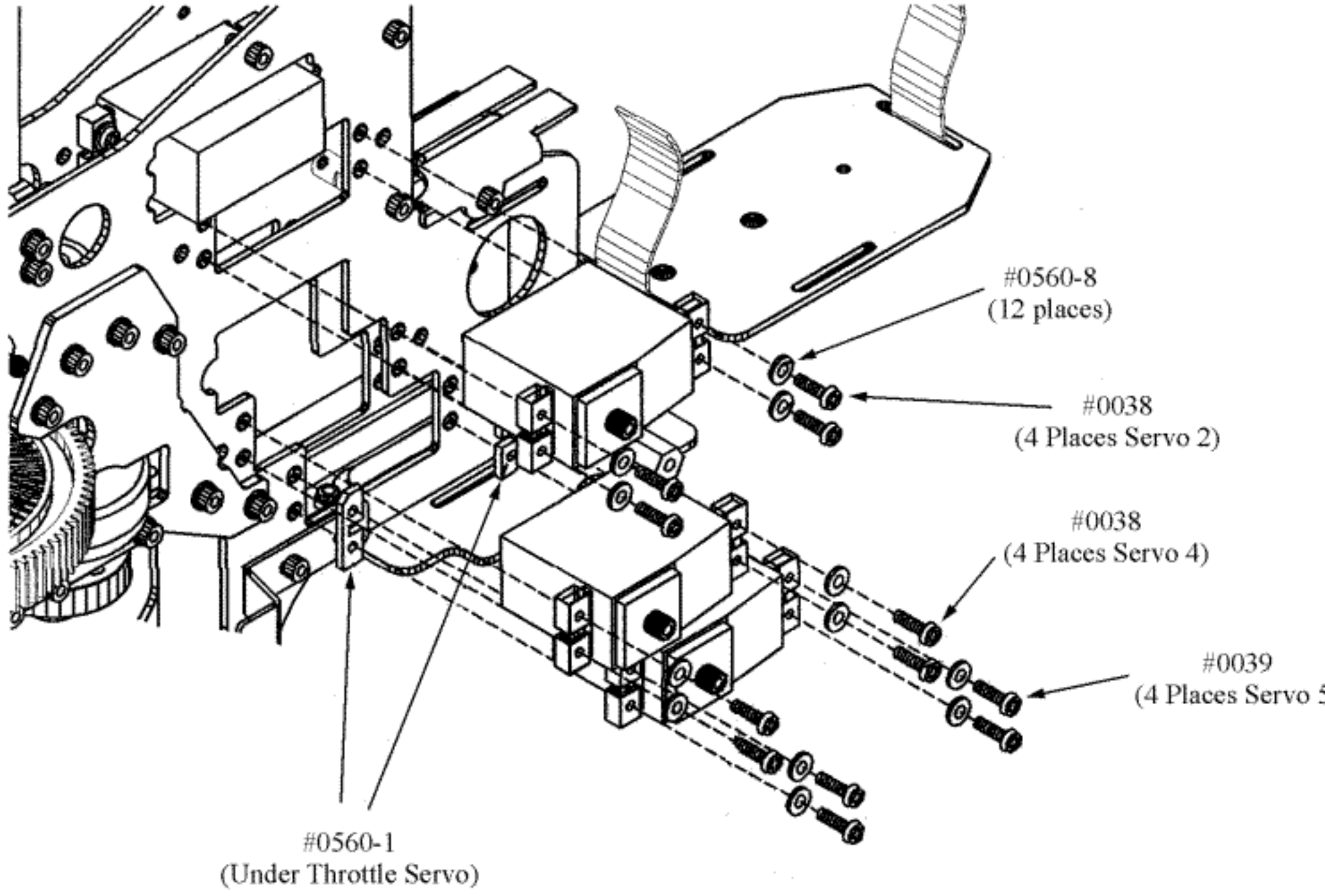
Drawing #11F



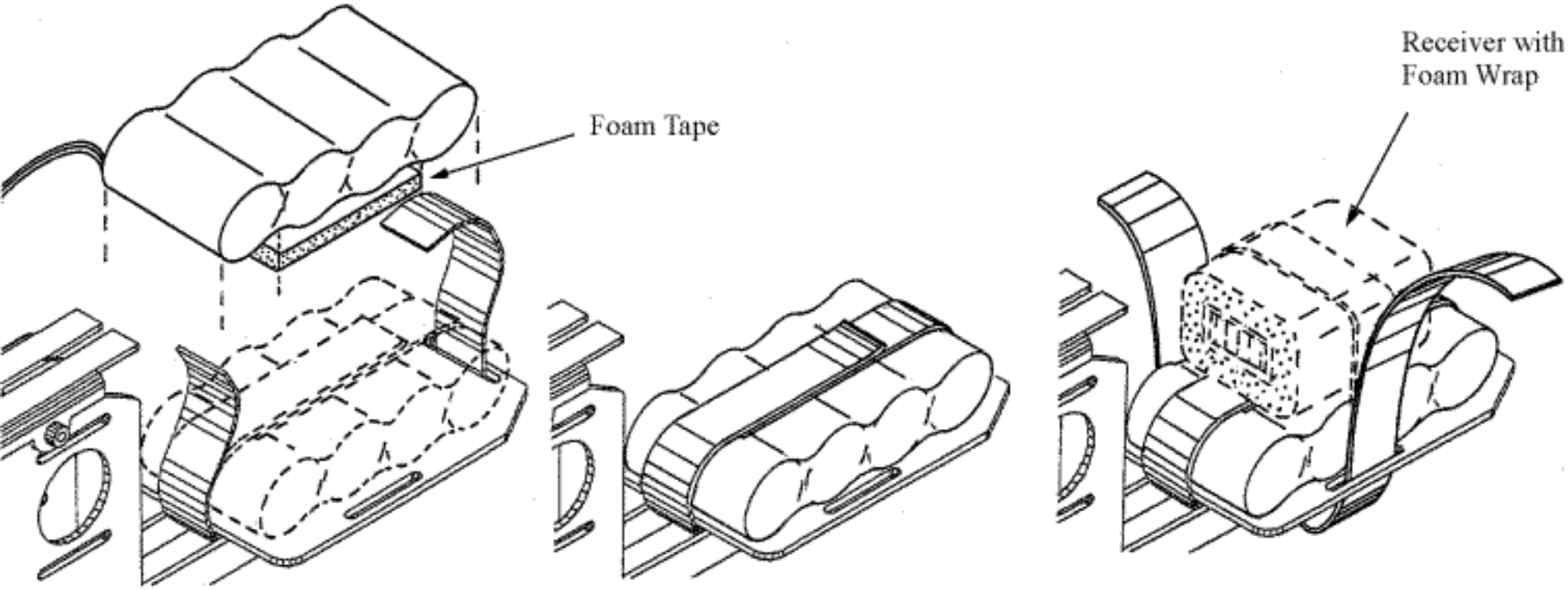
Drawing 12A



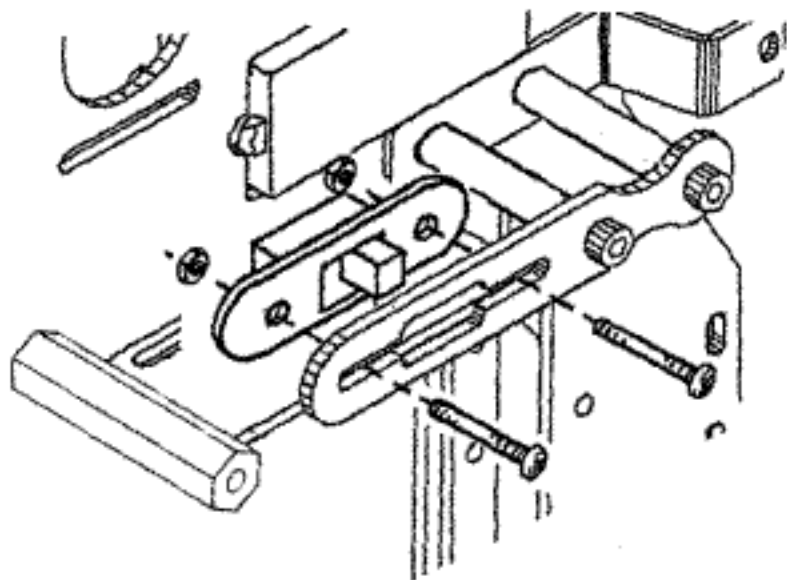
Drawing 12B



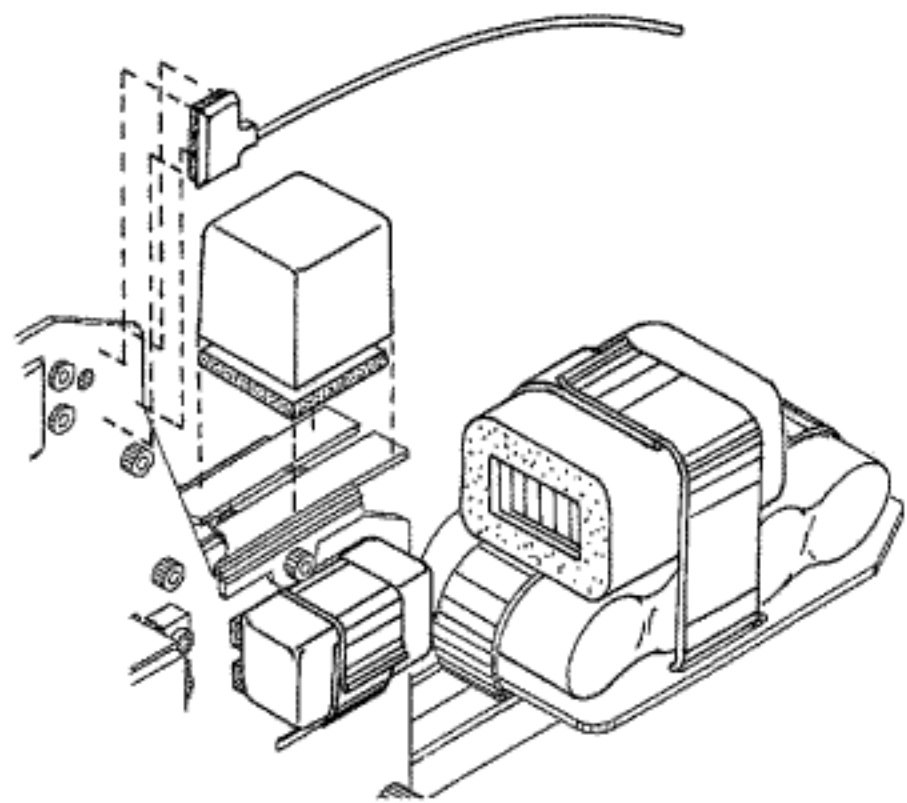
Drawing 12C



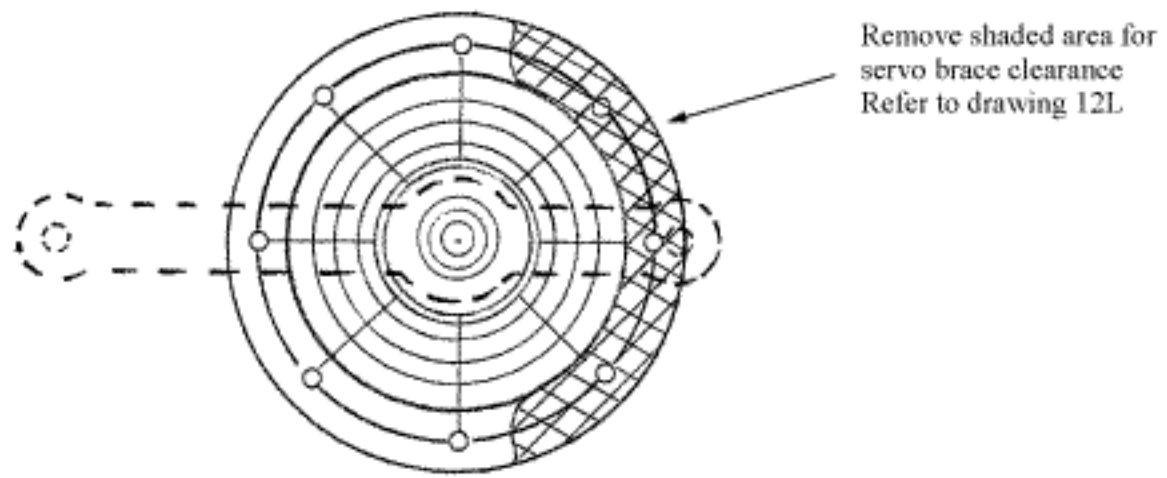
Drawing 12D



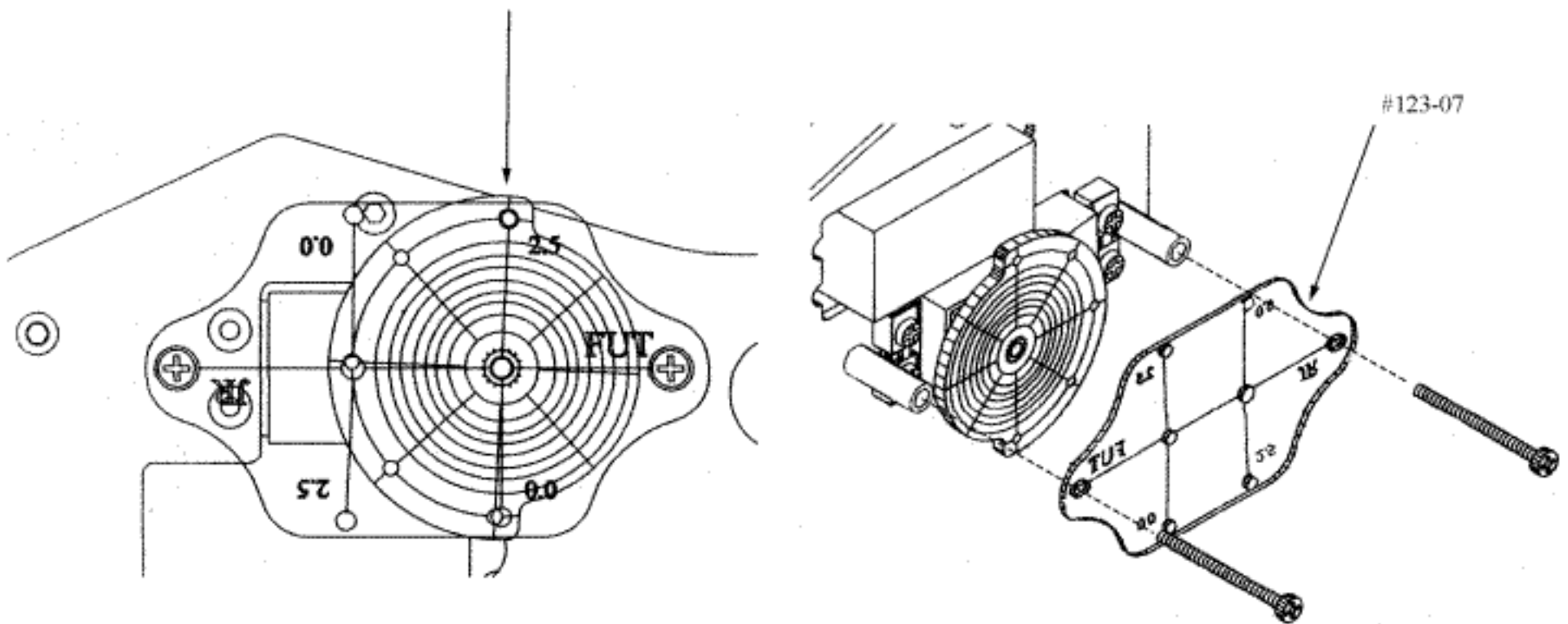
Drawing 12E

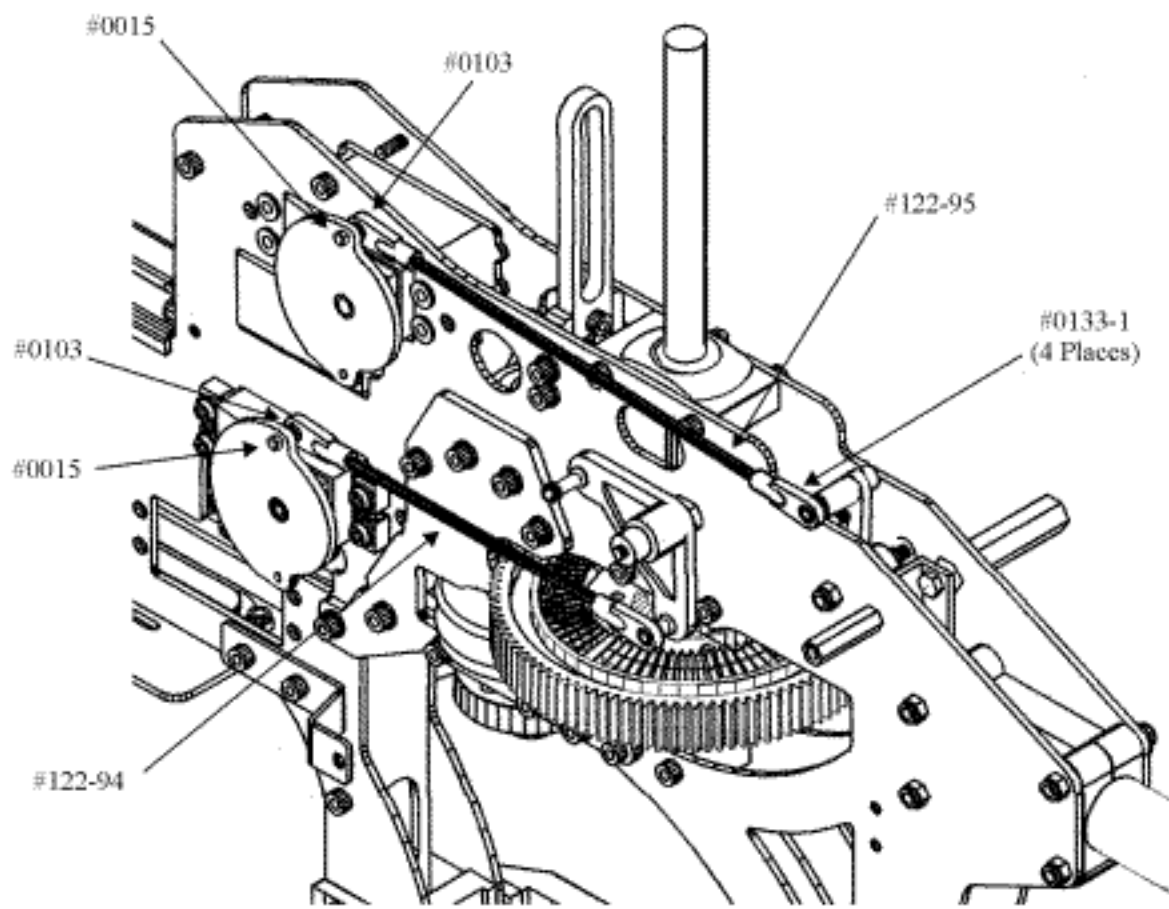


Drawing #12F

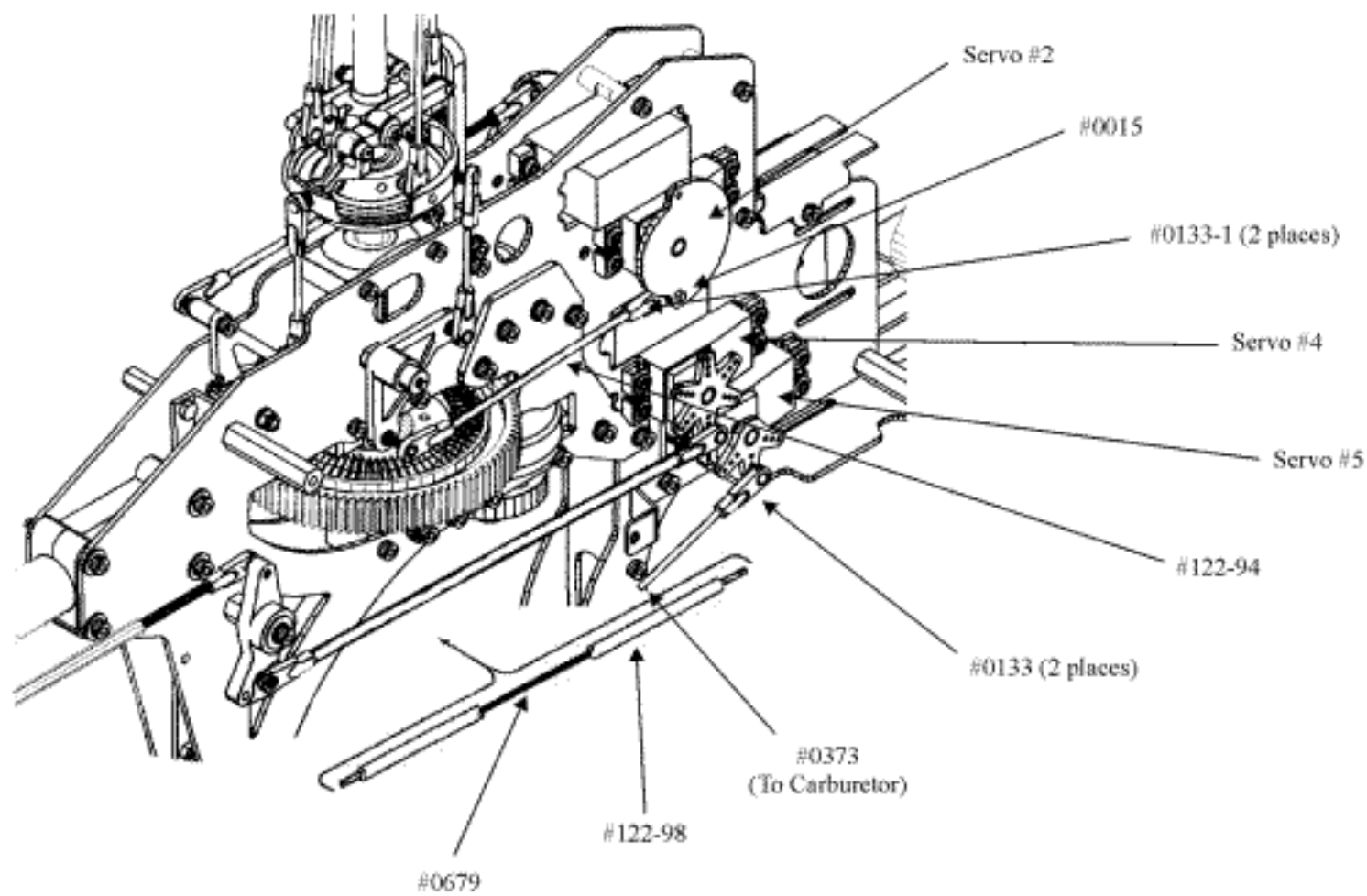


NOTE 2.5 DEGREE ANGLE FOR ELEVATOR

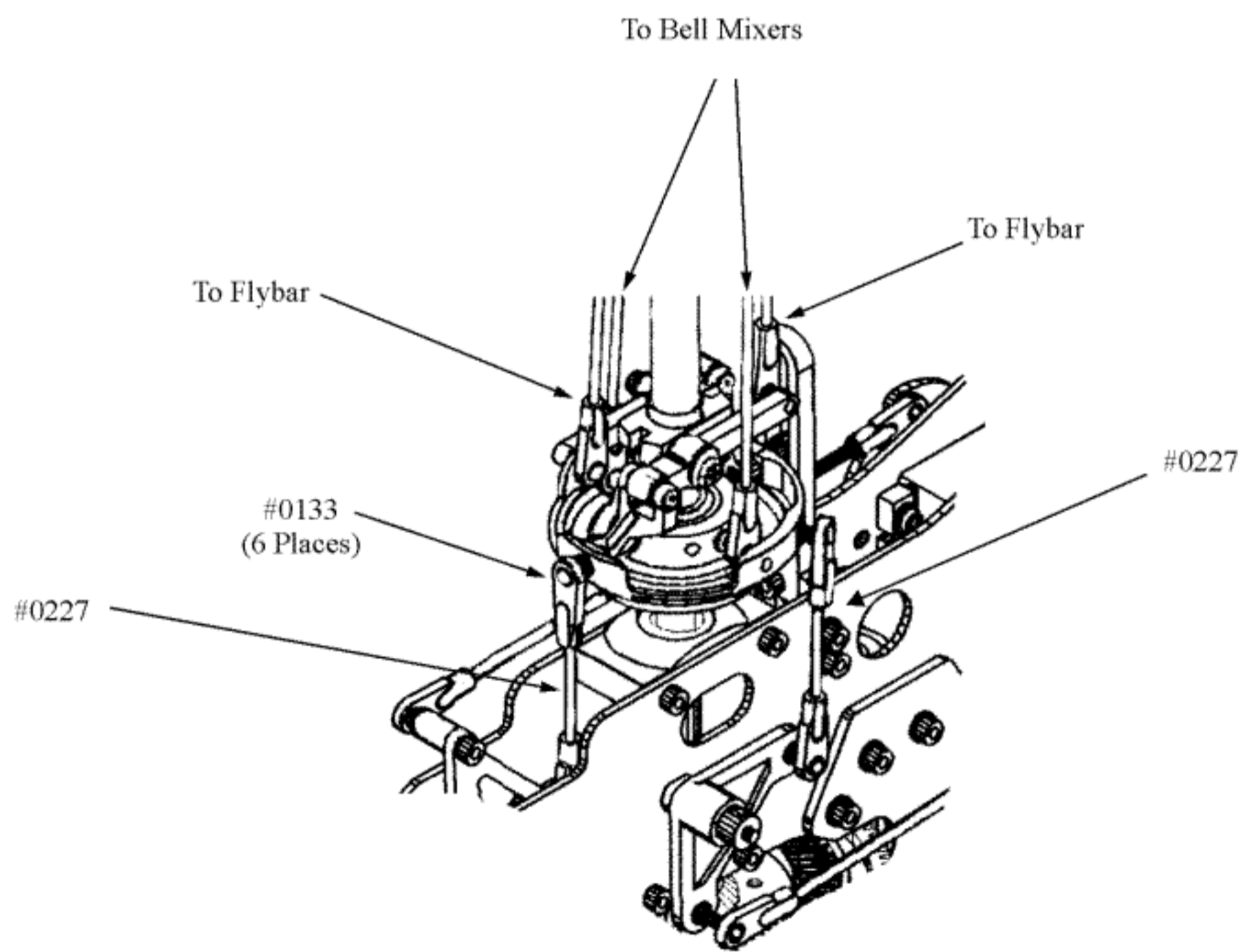
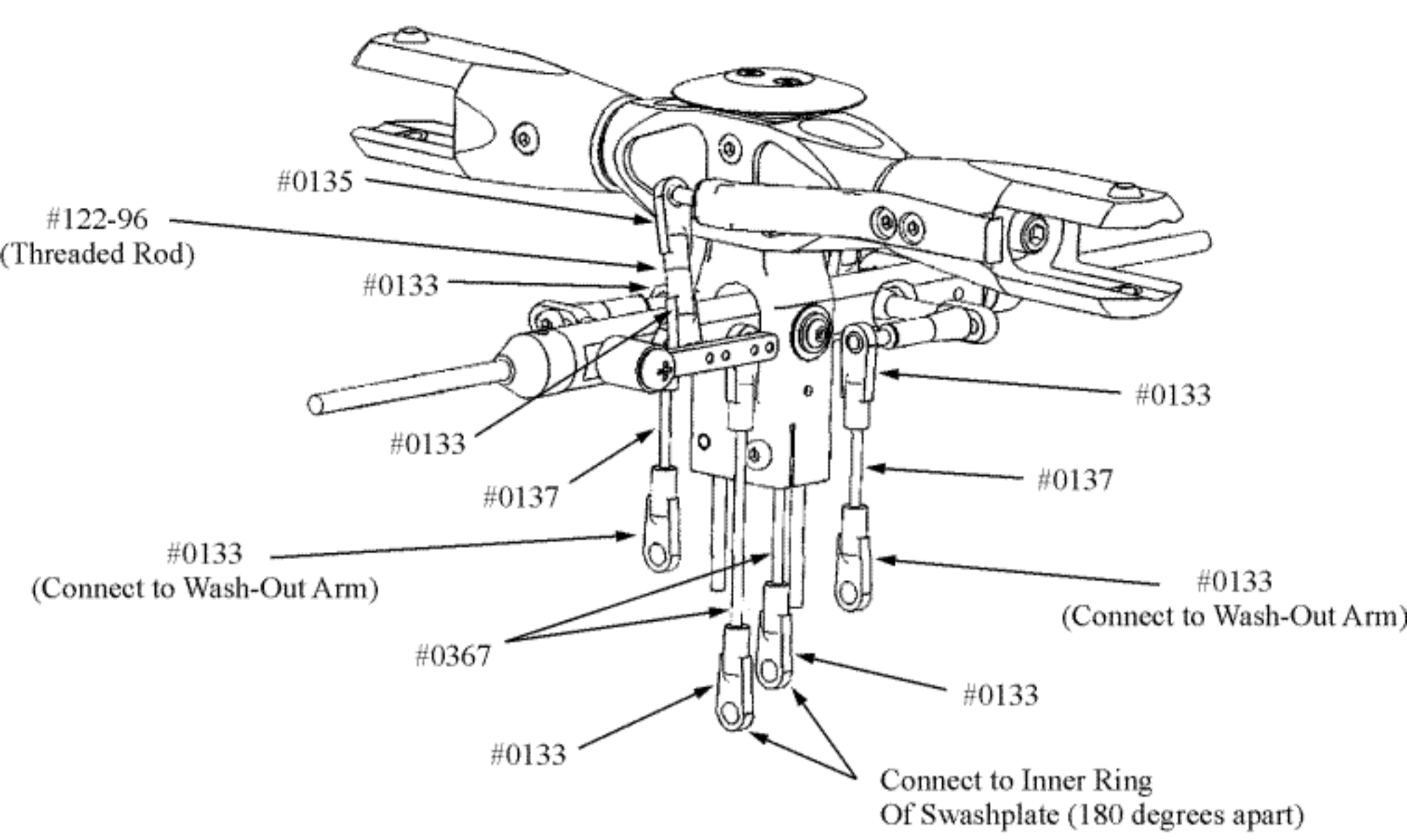


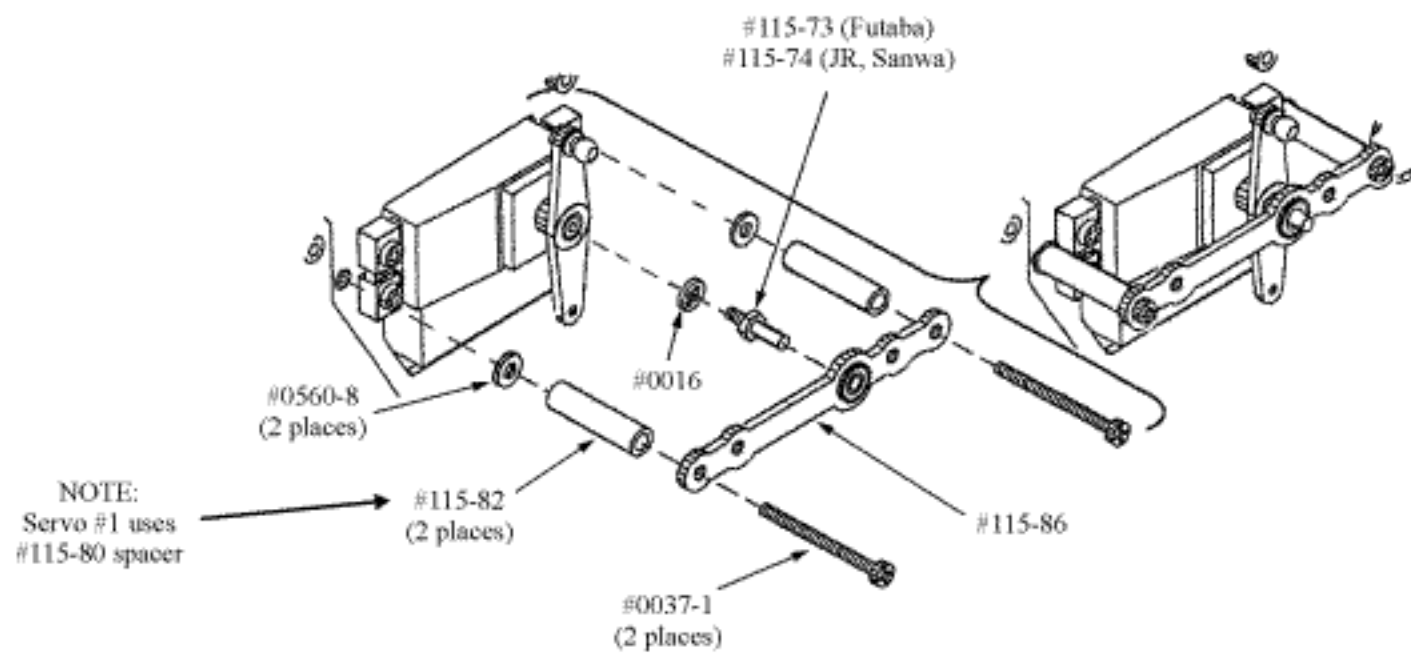


Drawing 12H

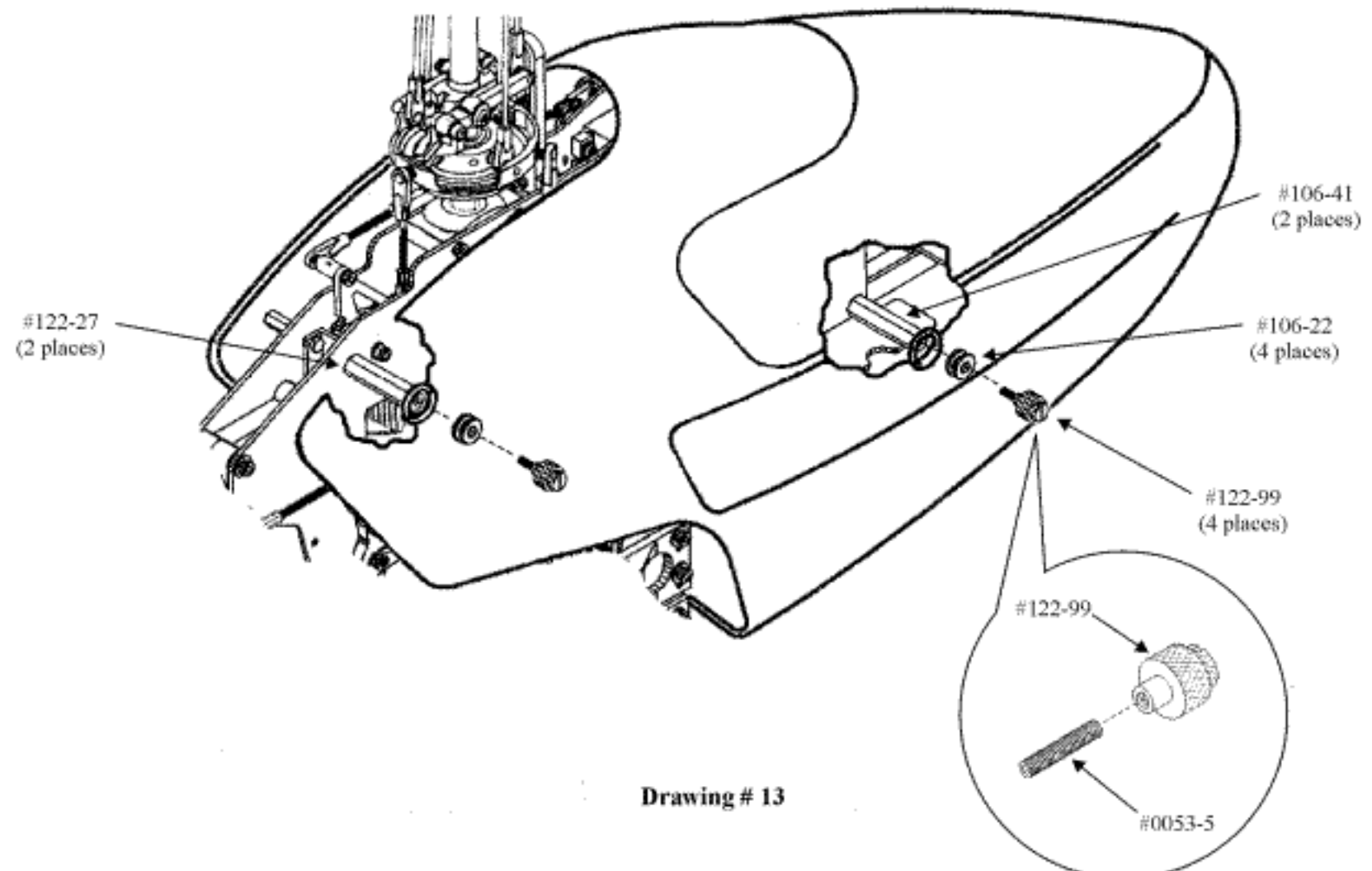


Drawing #12I

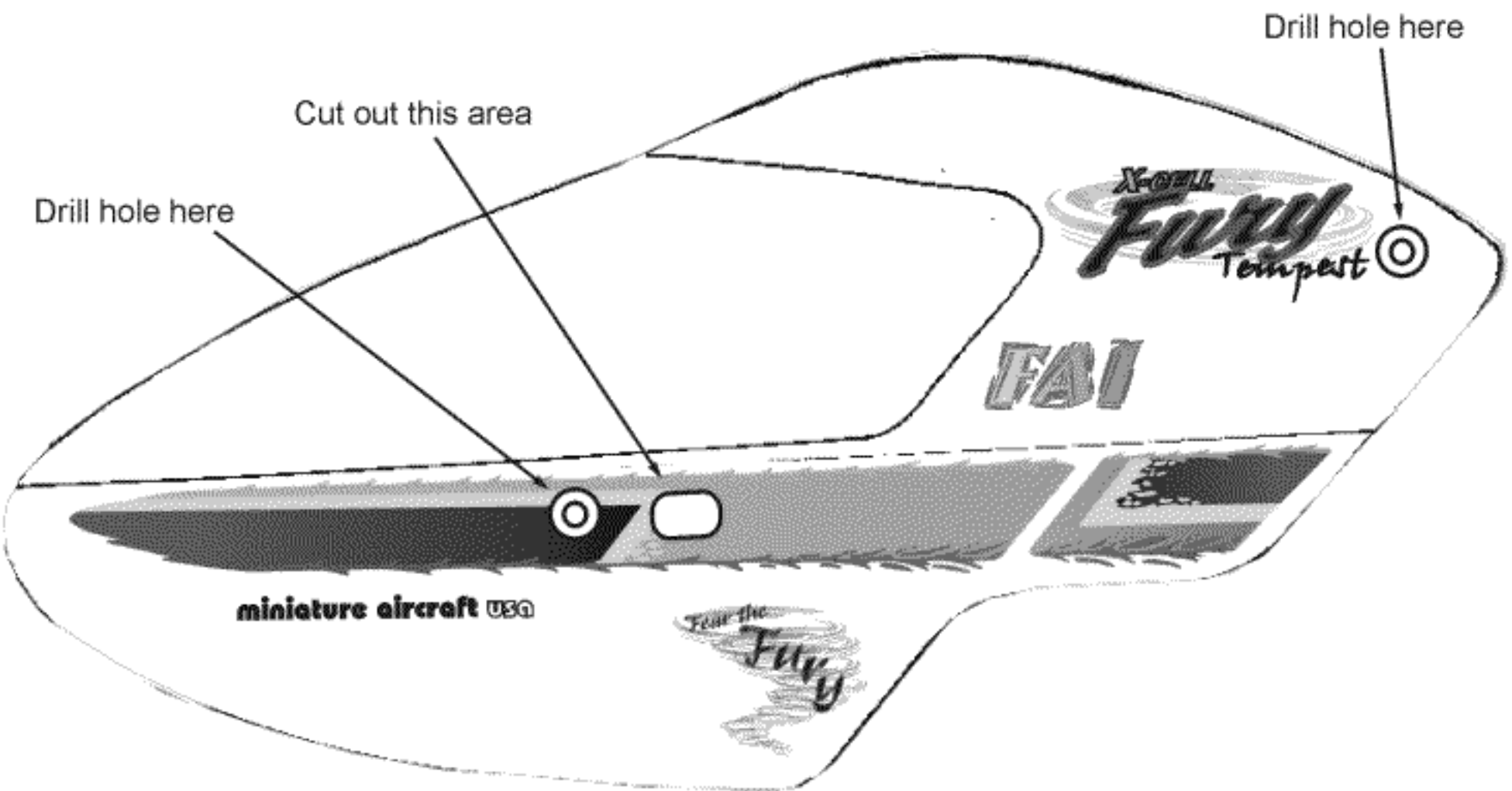
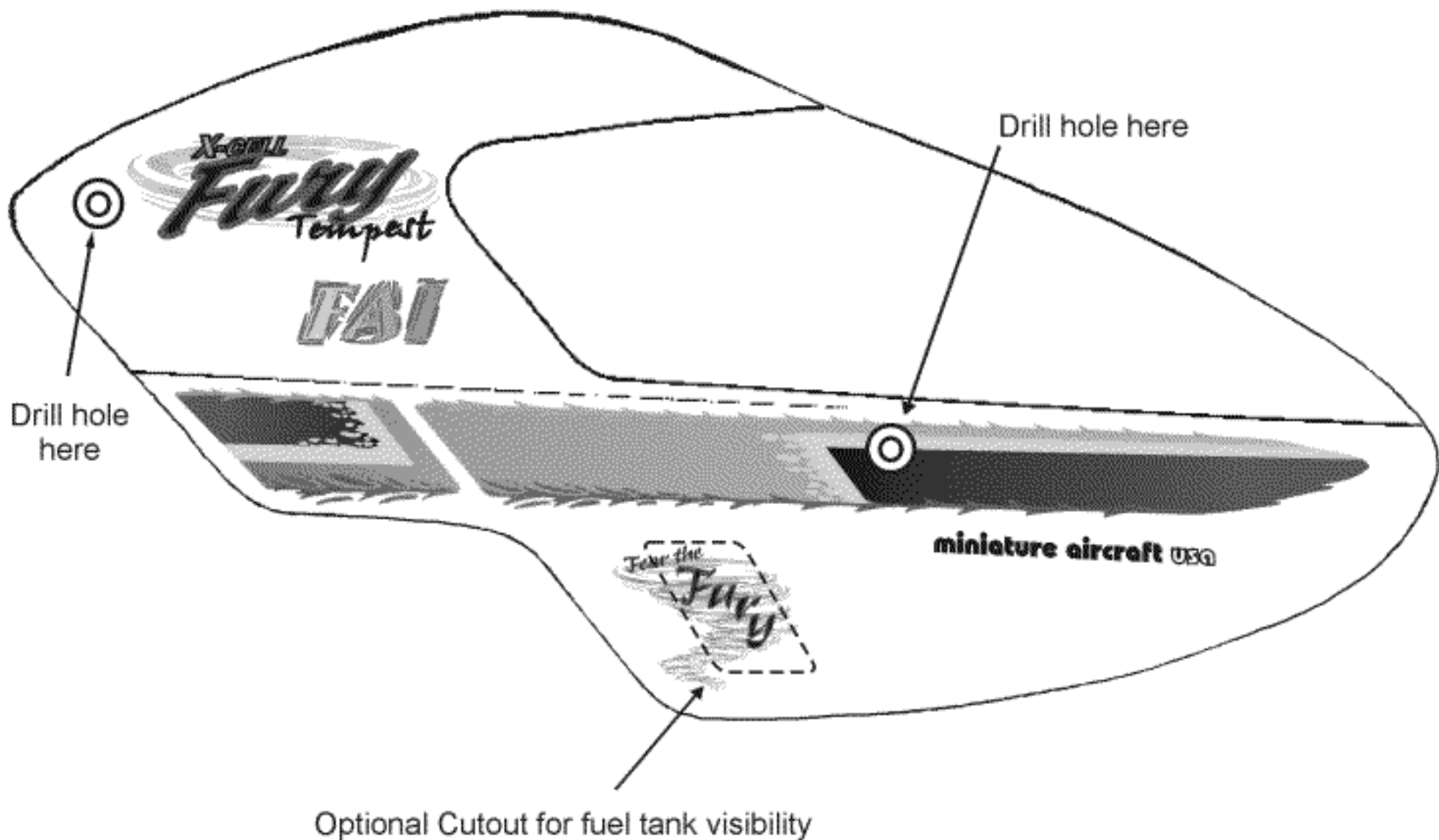




Drawing #12K



Drawing # 13



miniature aircraft USA

