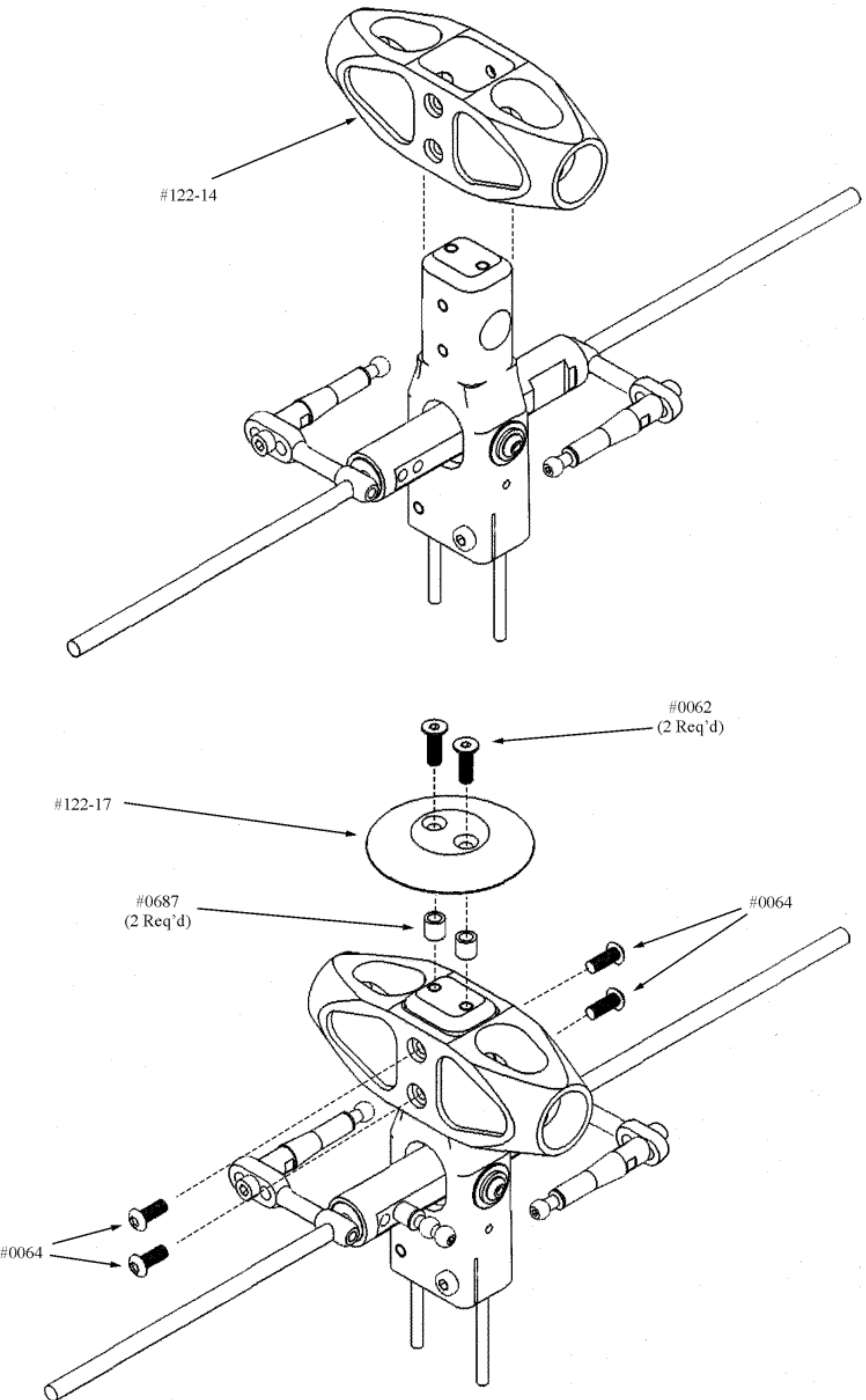
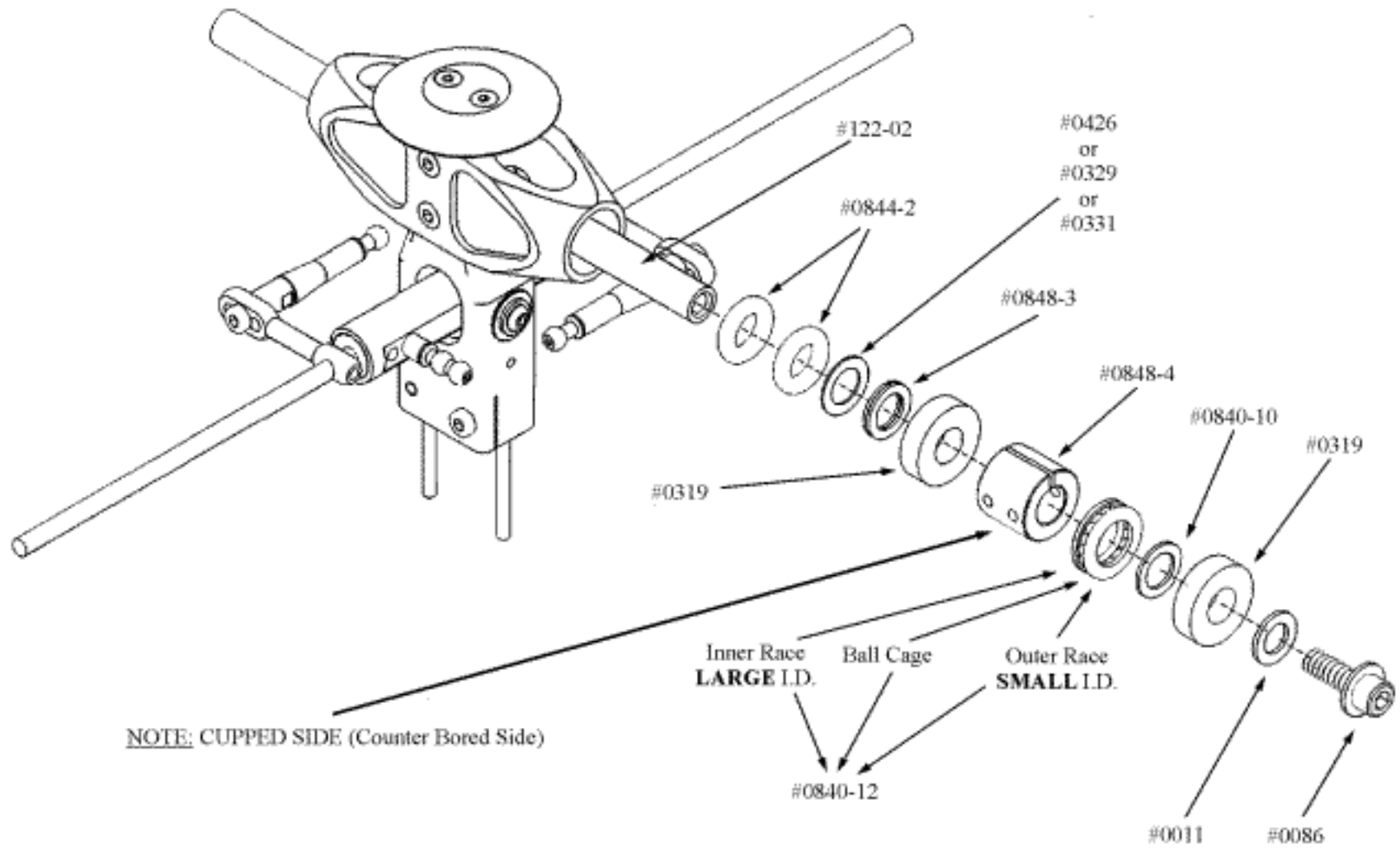


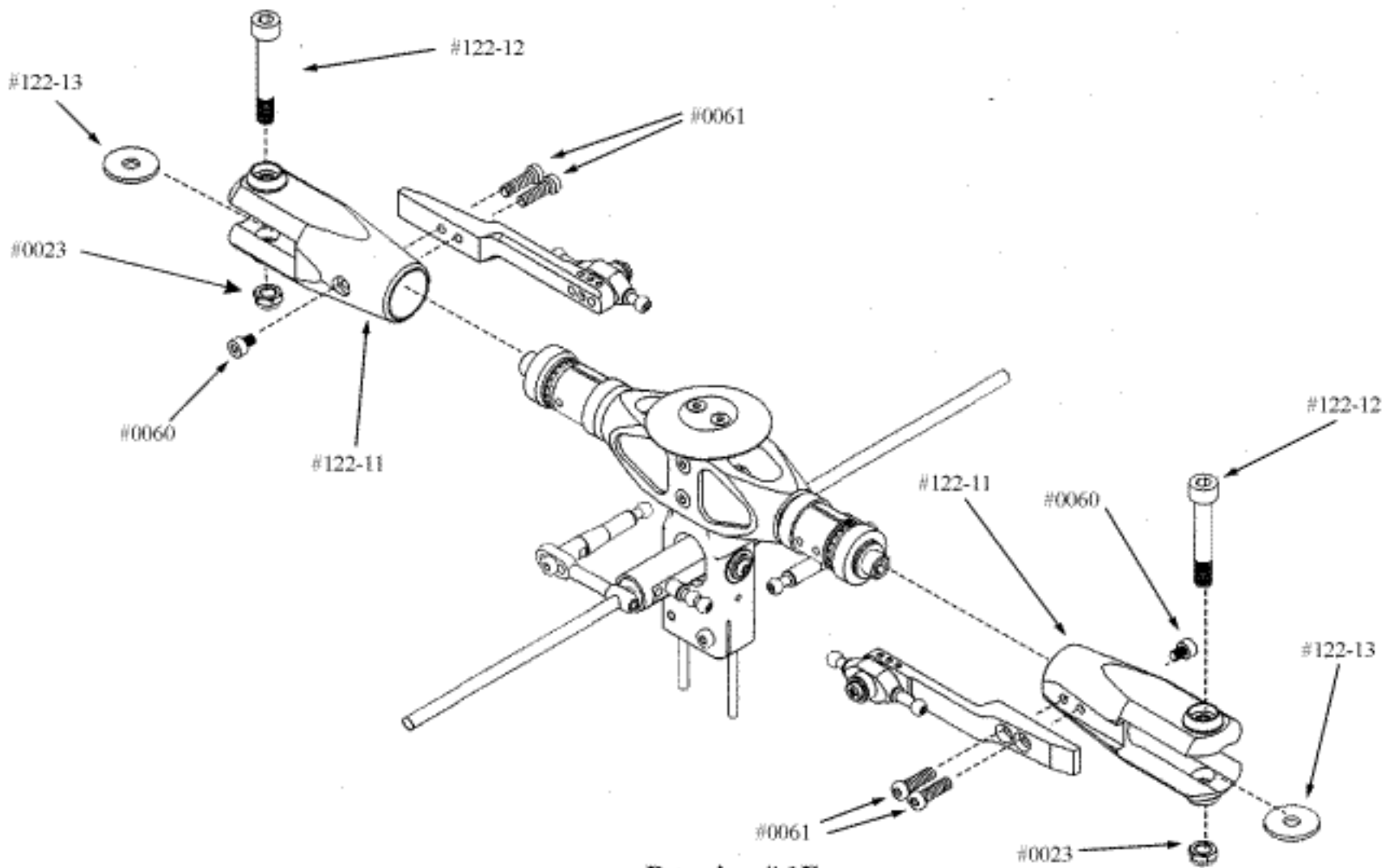
Drawing # 1C



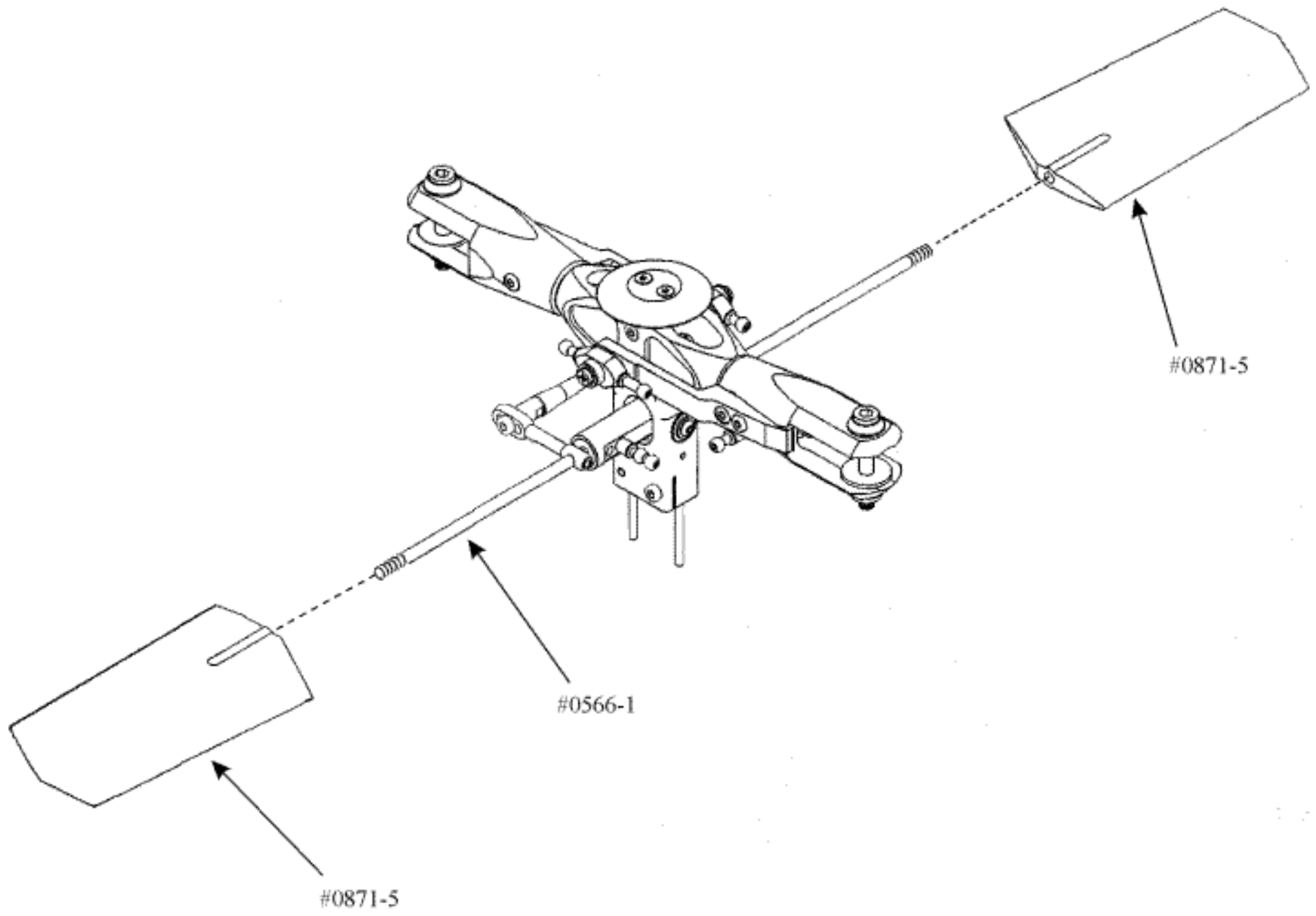
Drawing # 1D



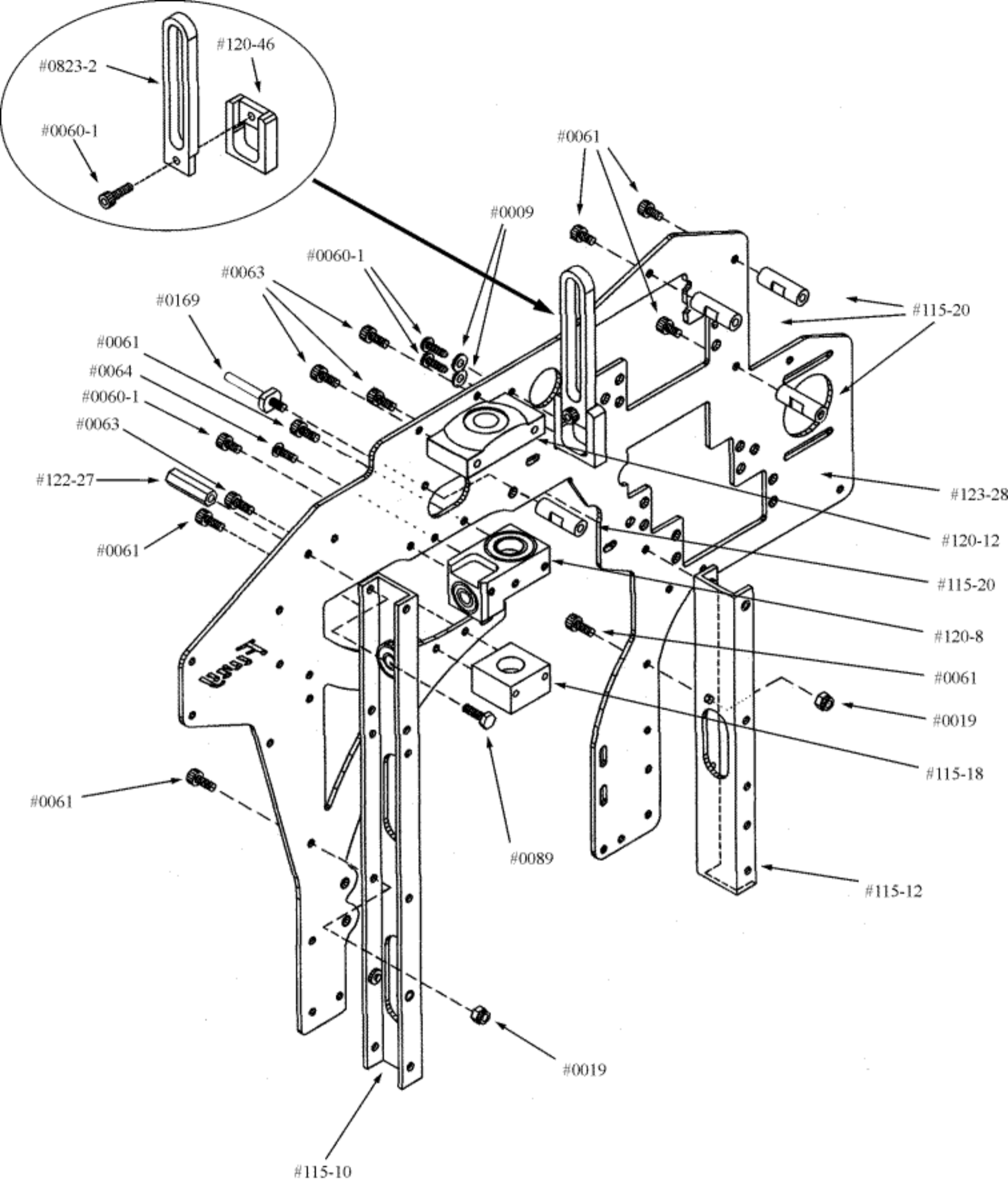
Drawing # 1E



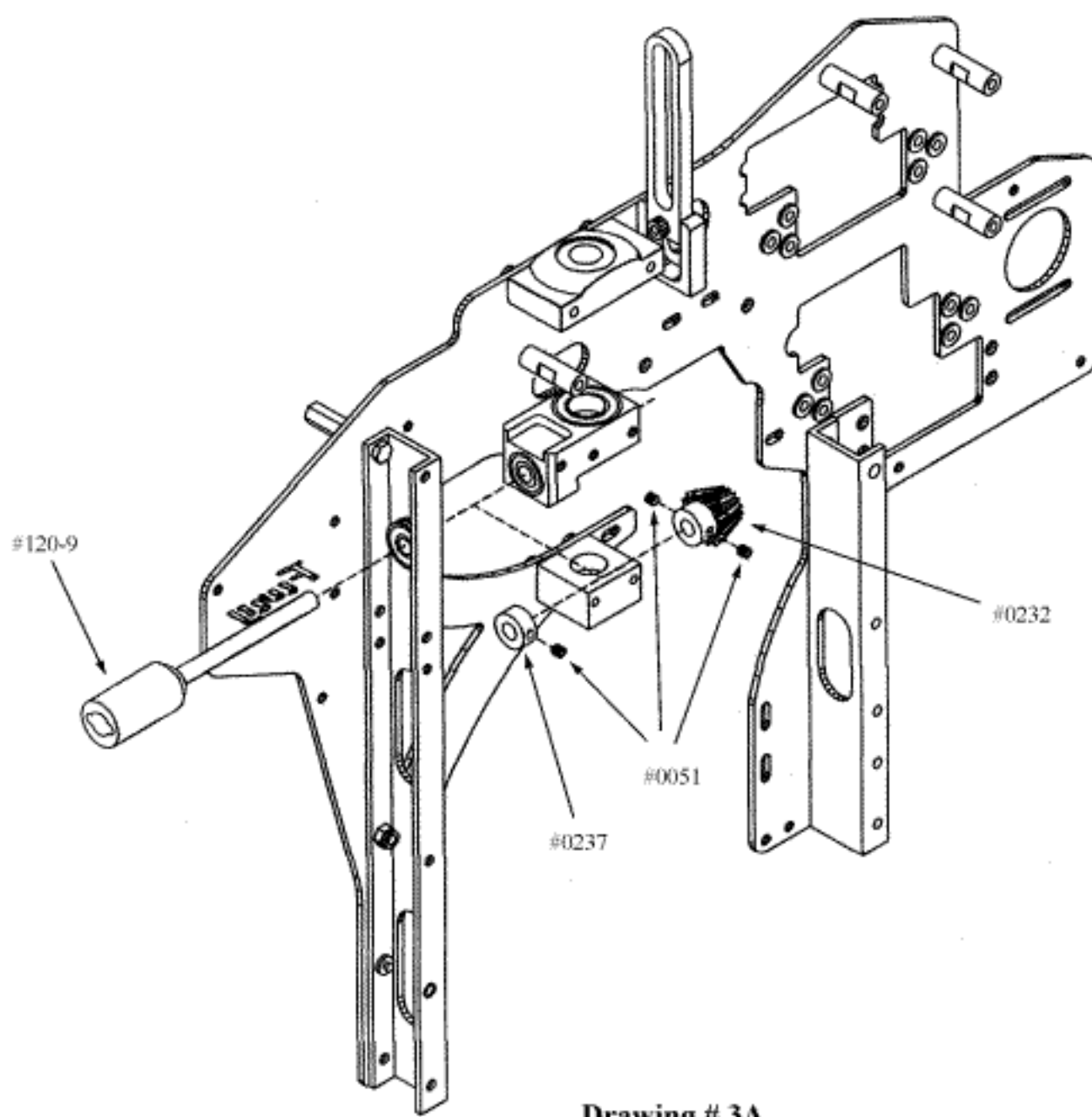
Drawing # 1F



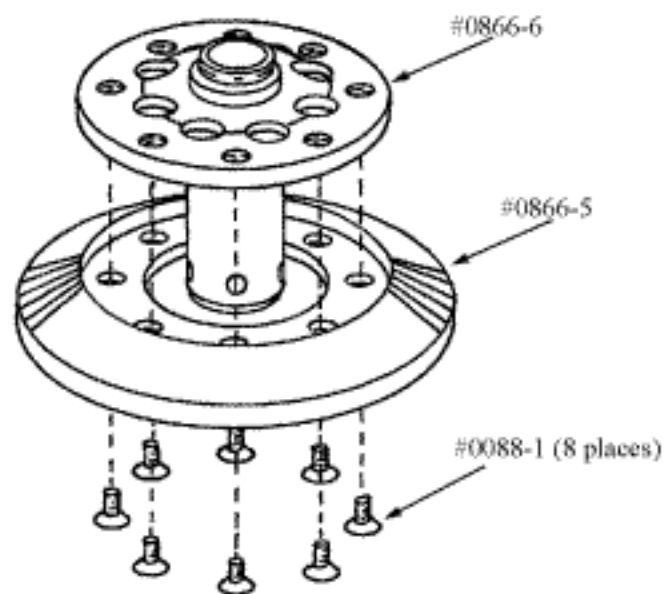
Drawing # 1G



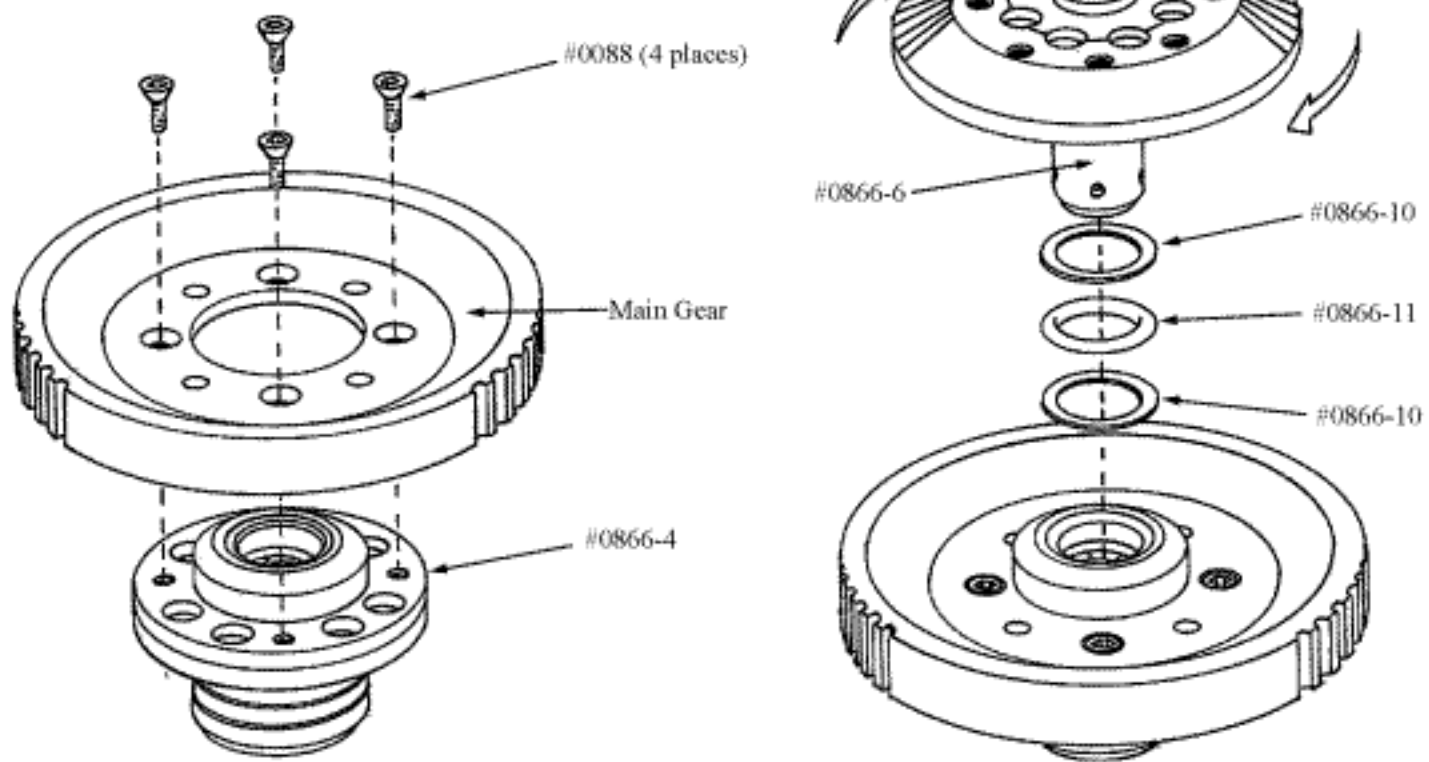
Drawing # 2A



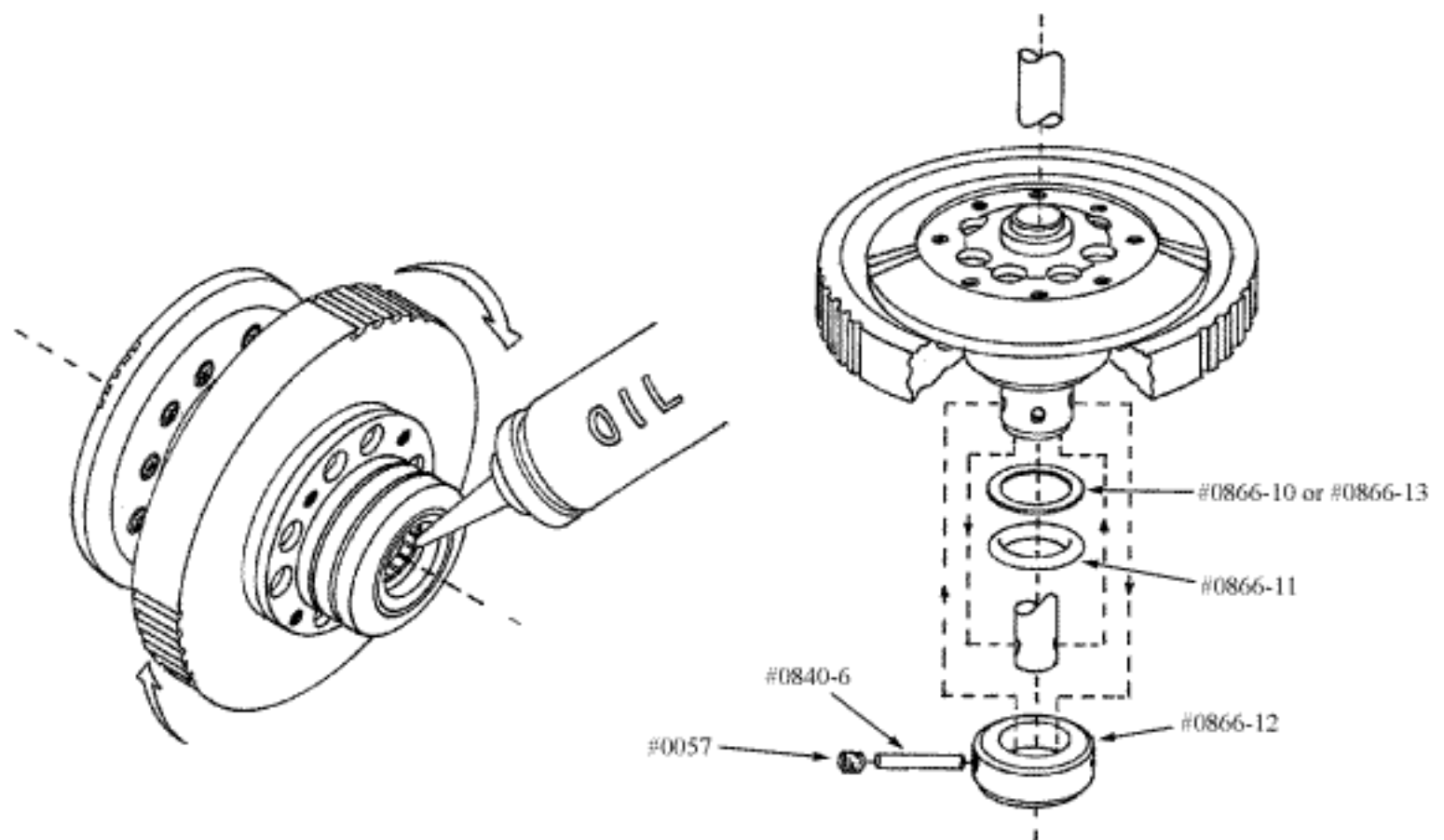
Drawing # 3A



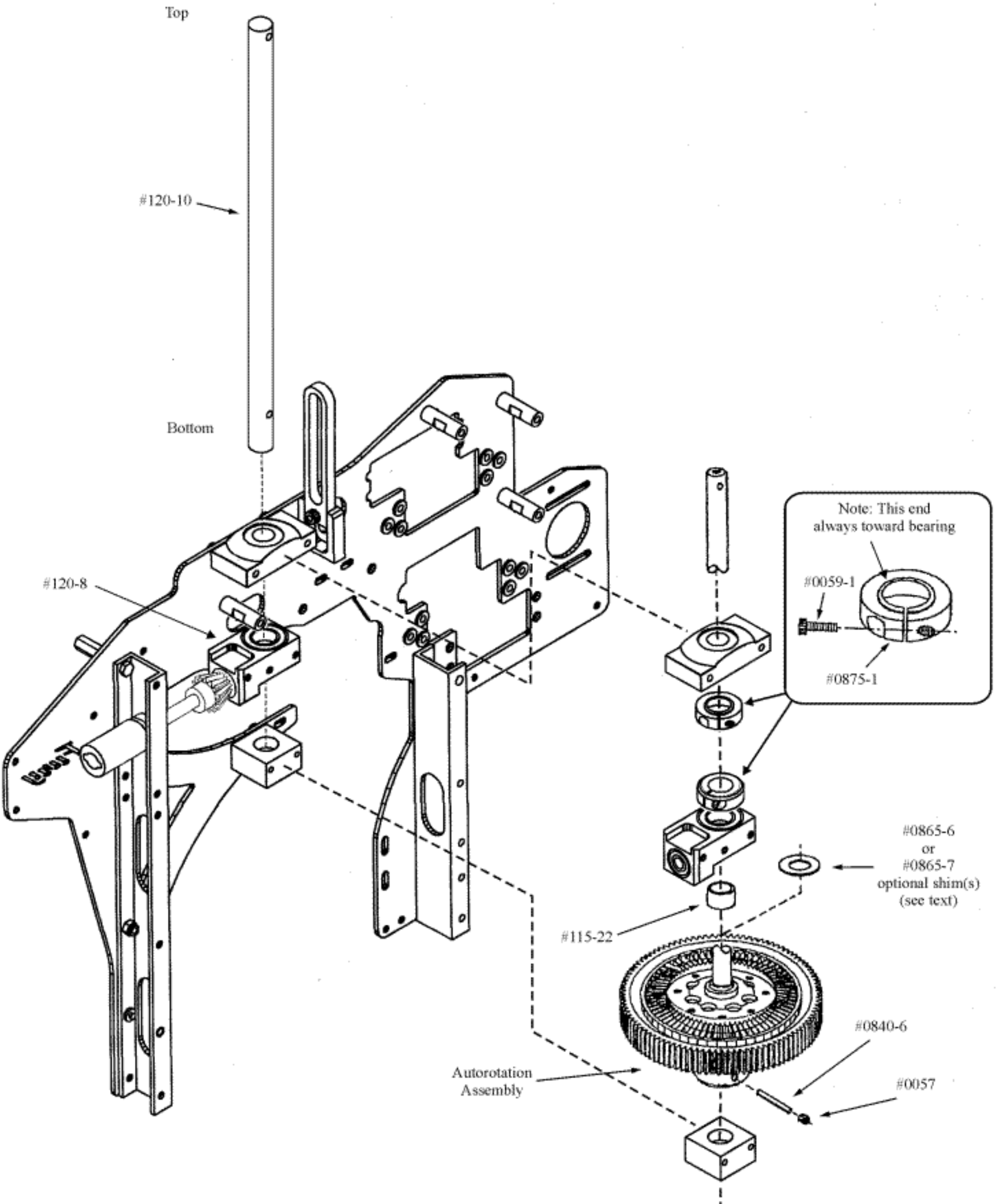
Drawing # 3B



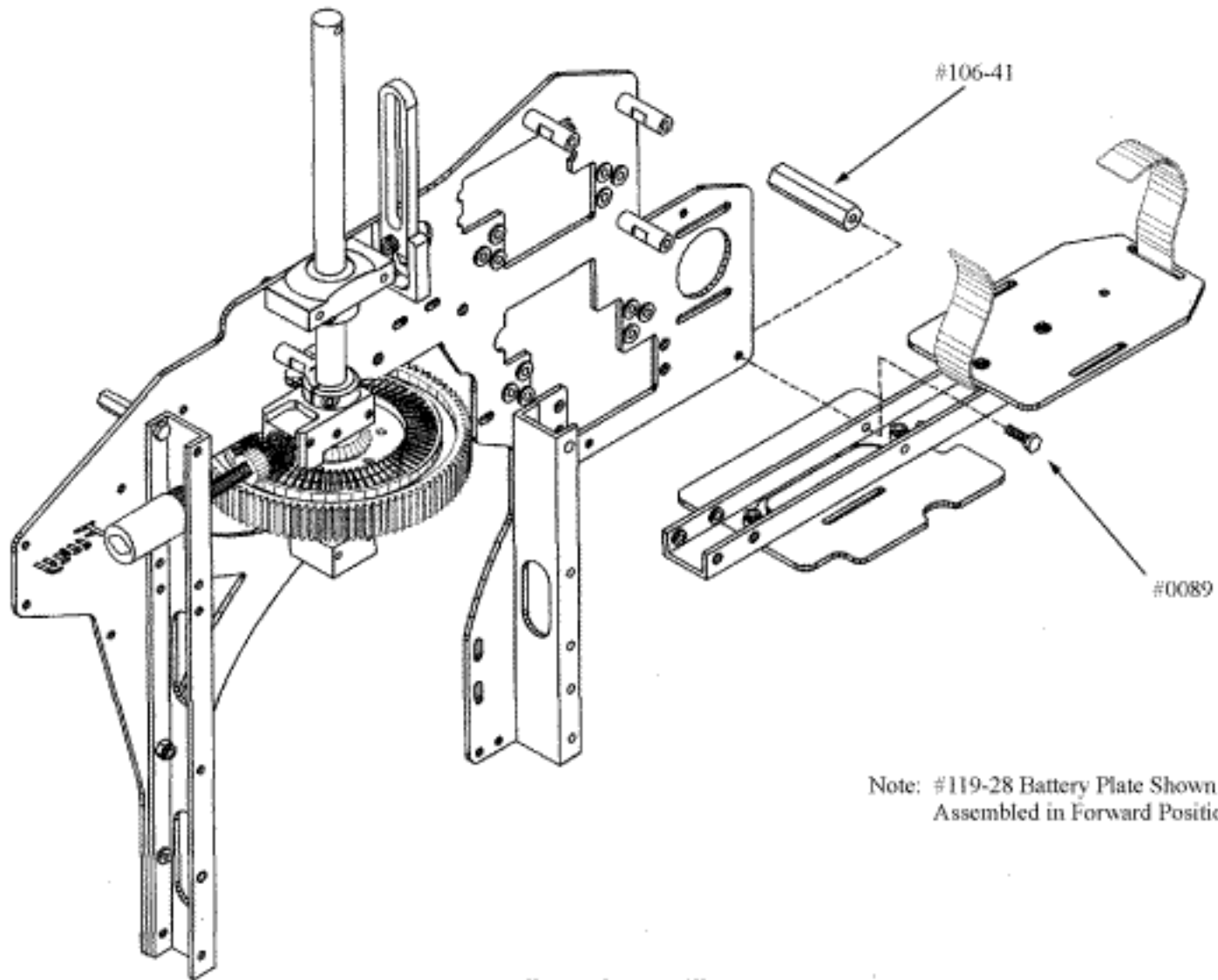
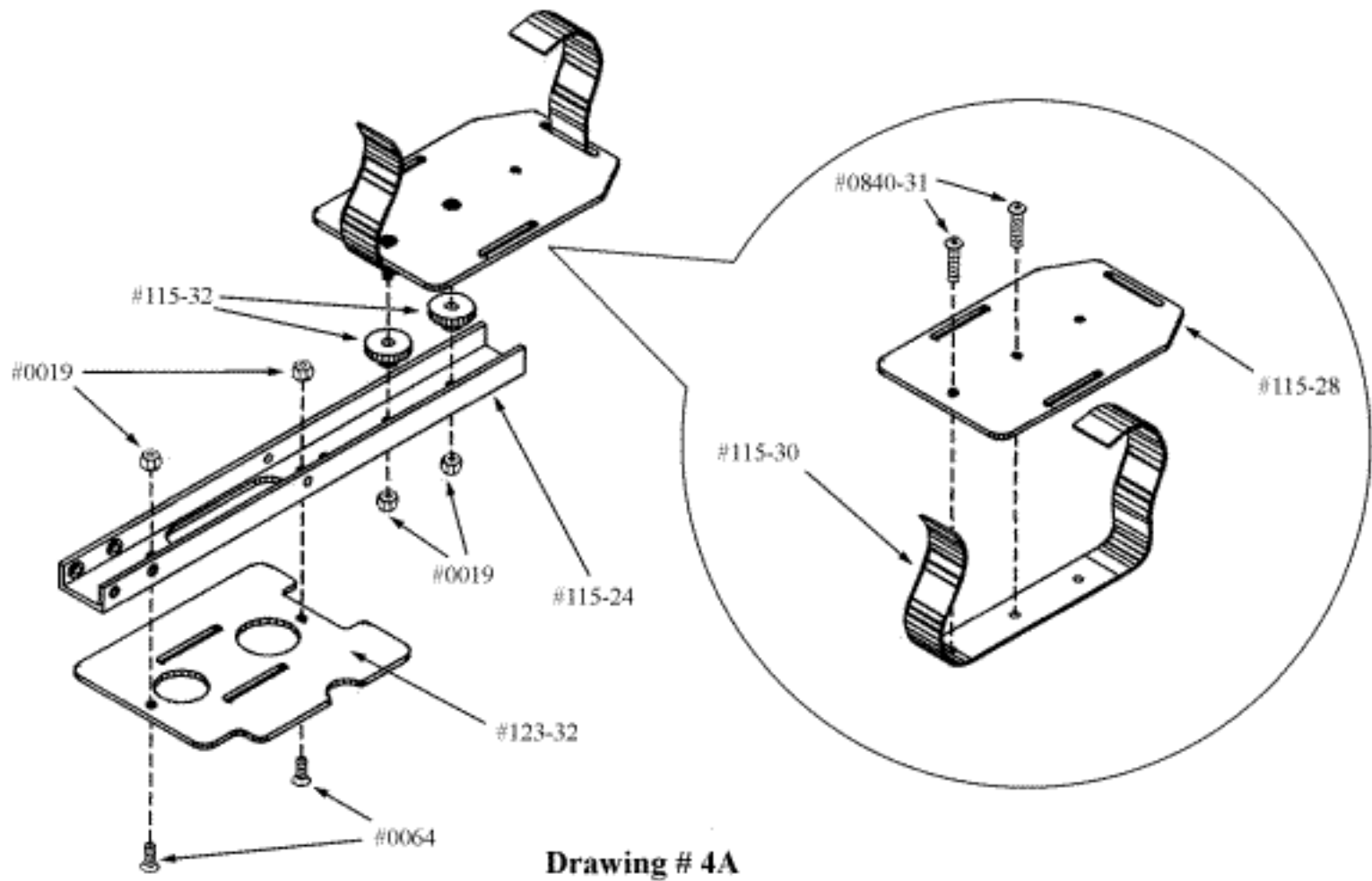
Drawing # 3C

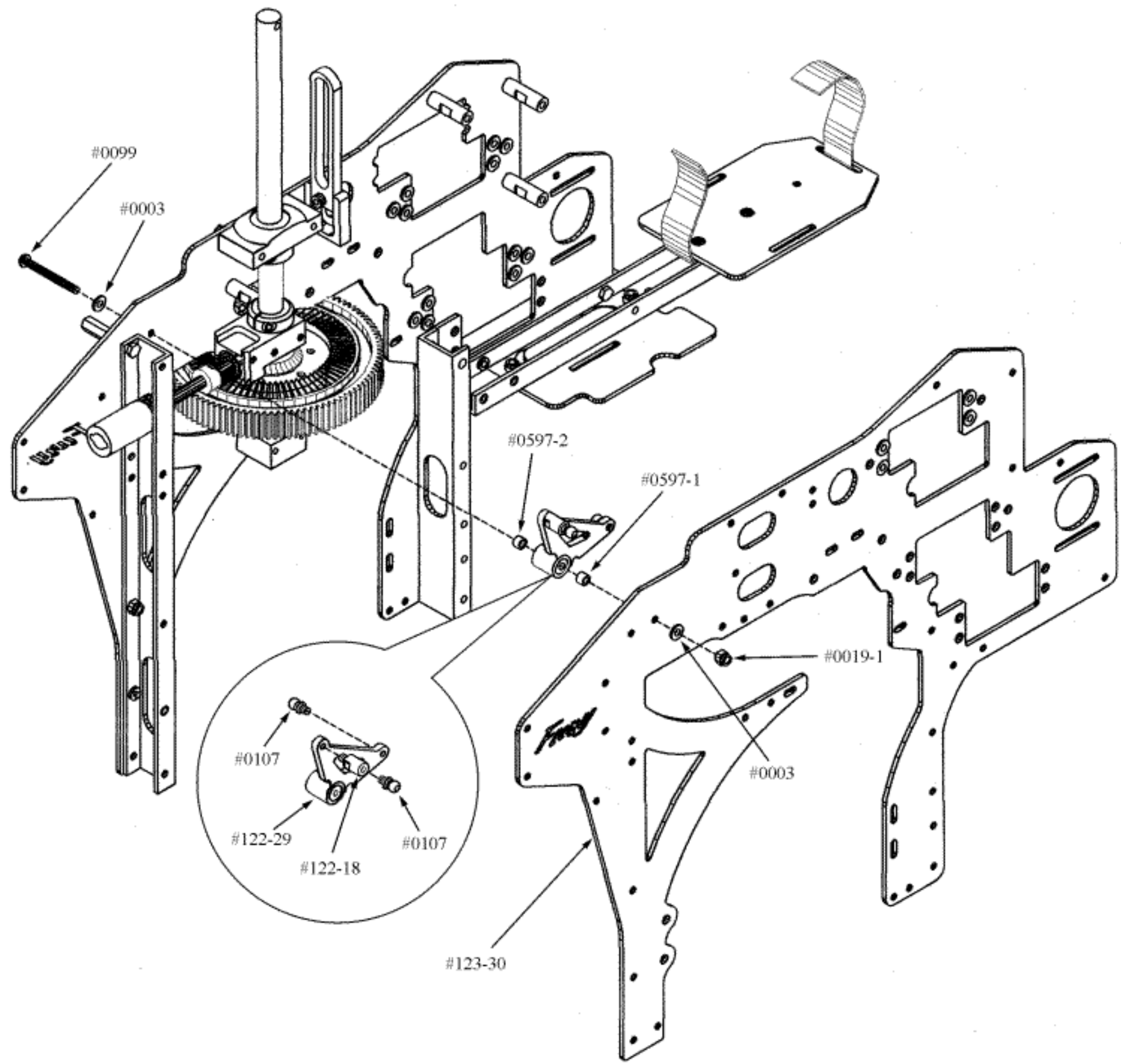


Drawing # 3D

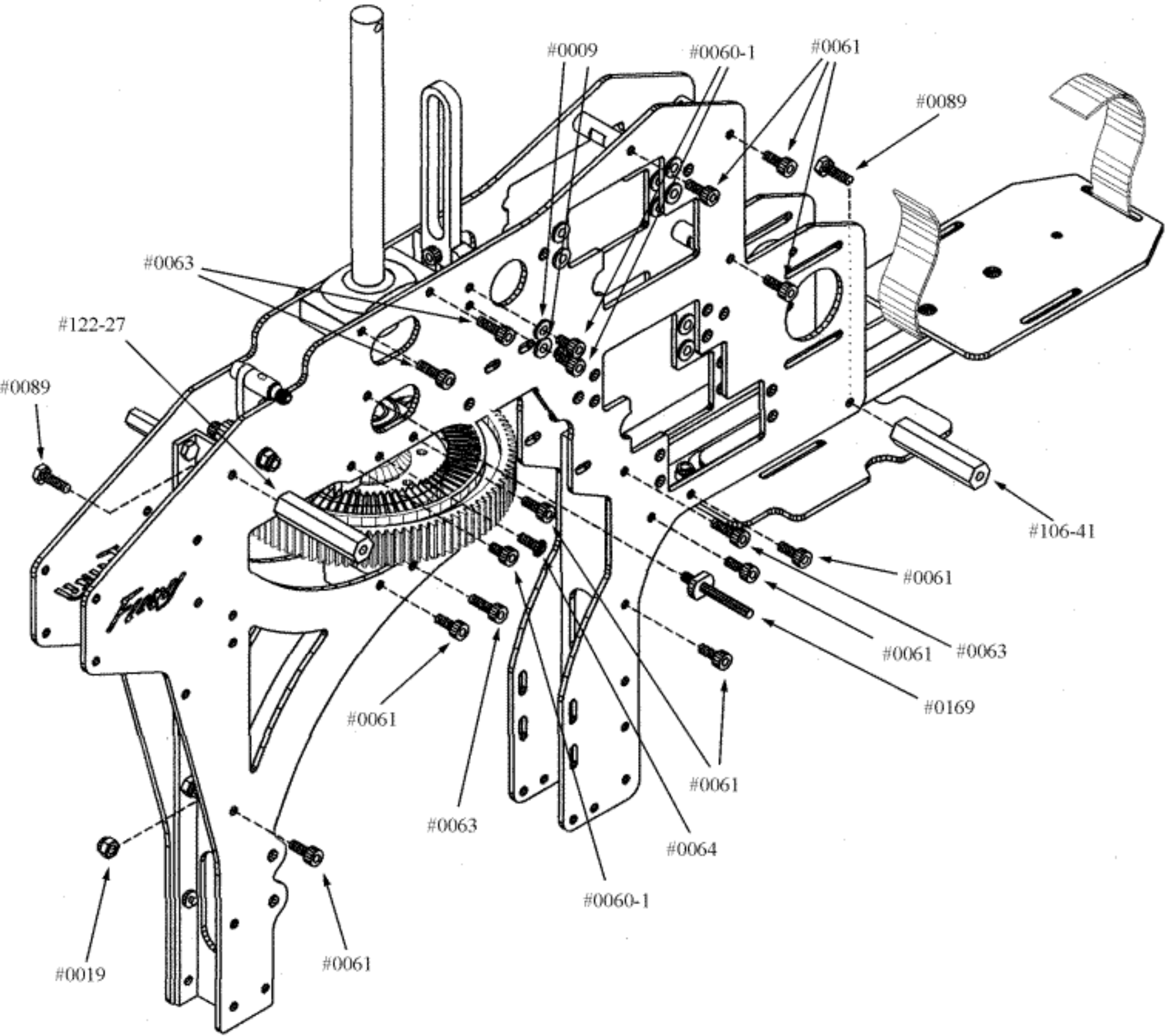


Drawing # 3E

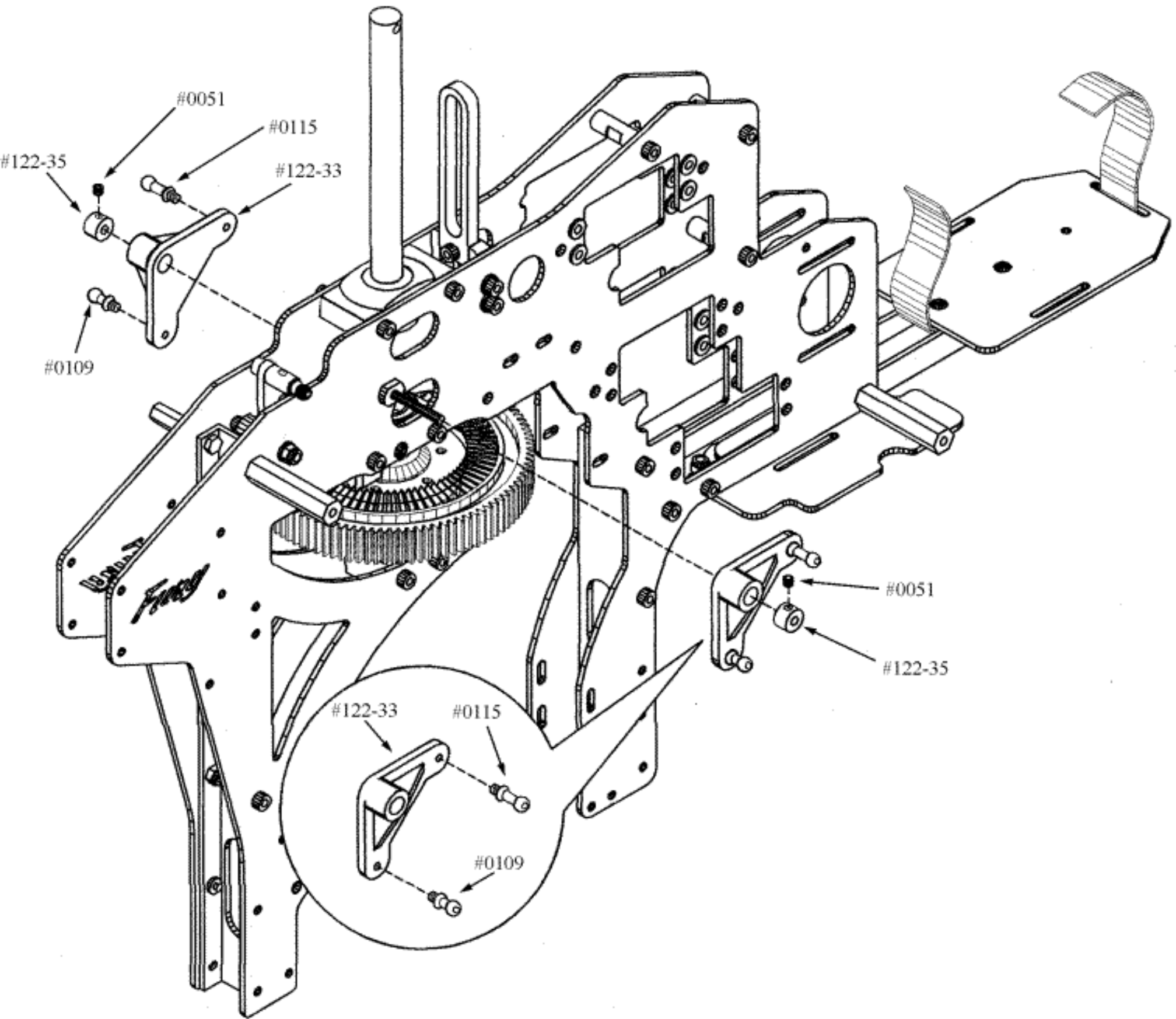




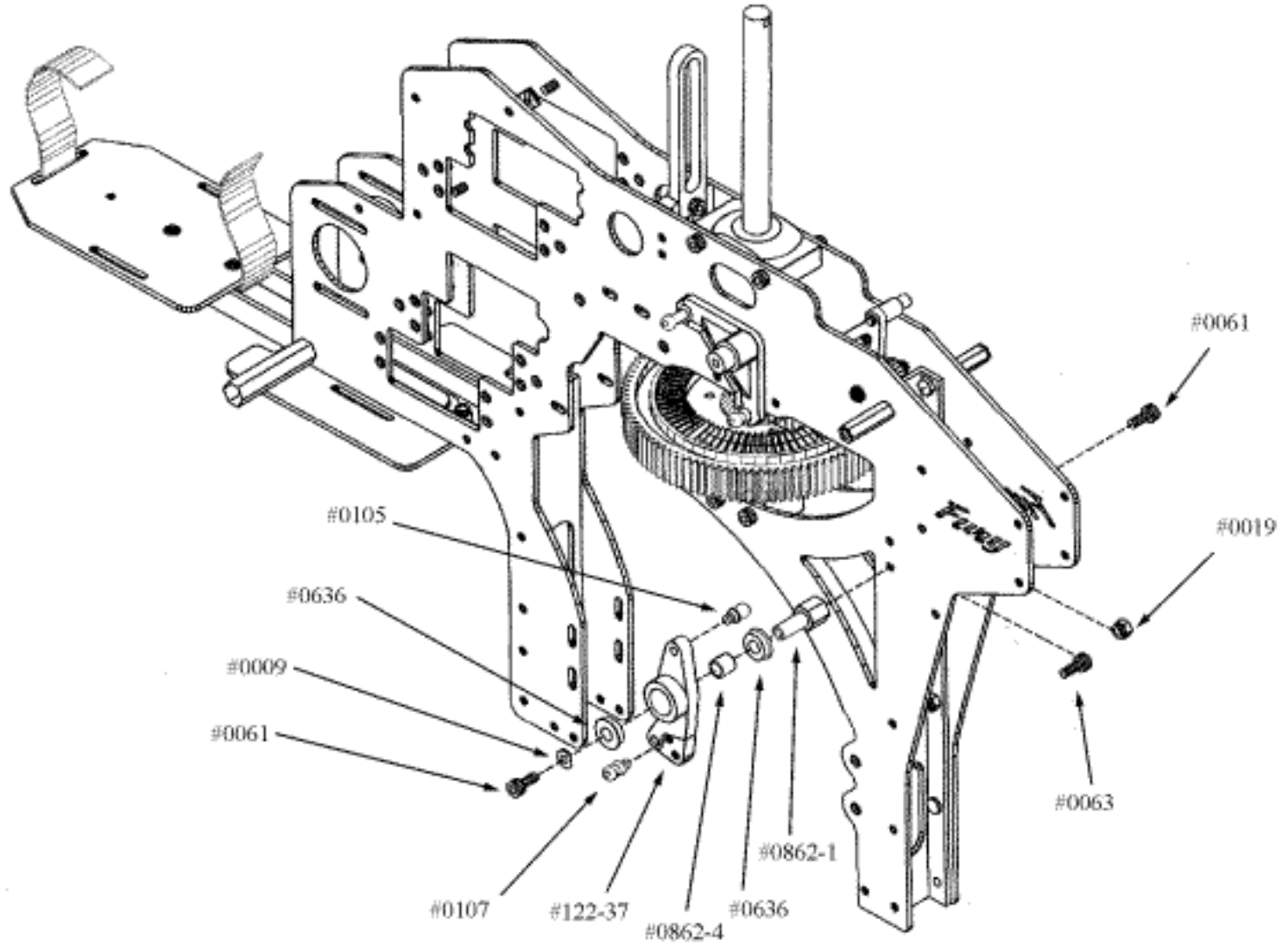
Drawing # 5A



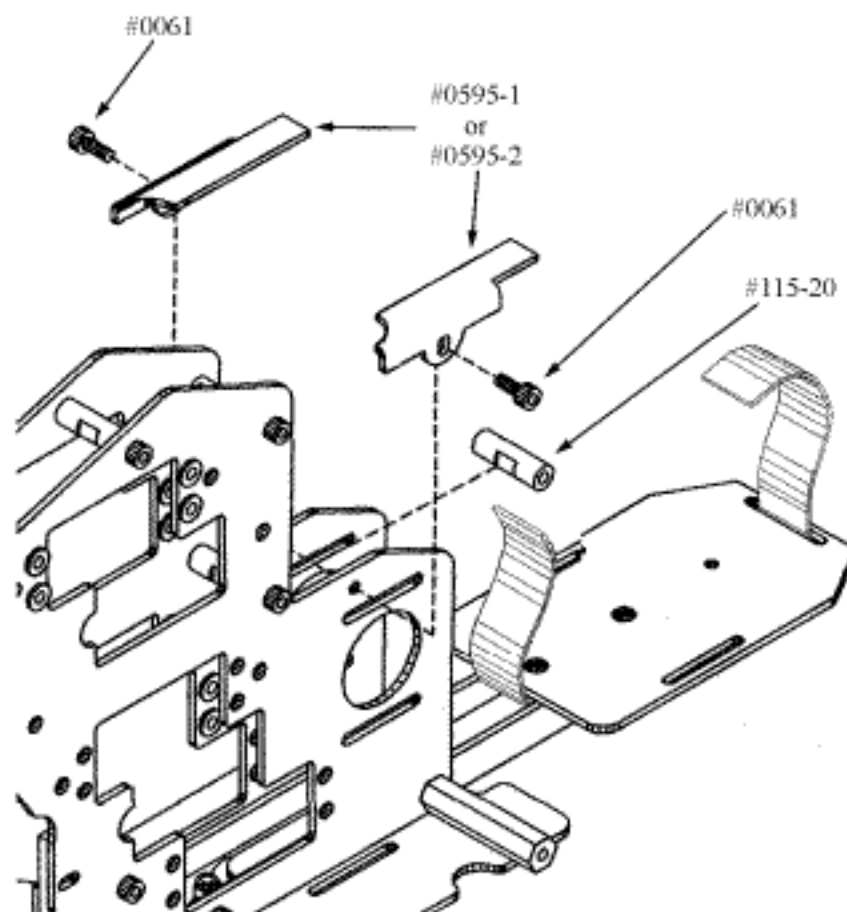
Drawing # 5B



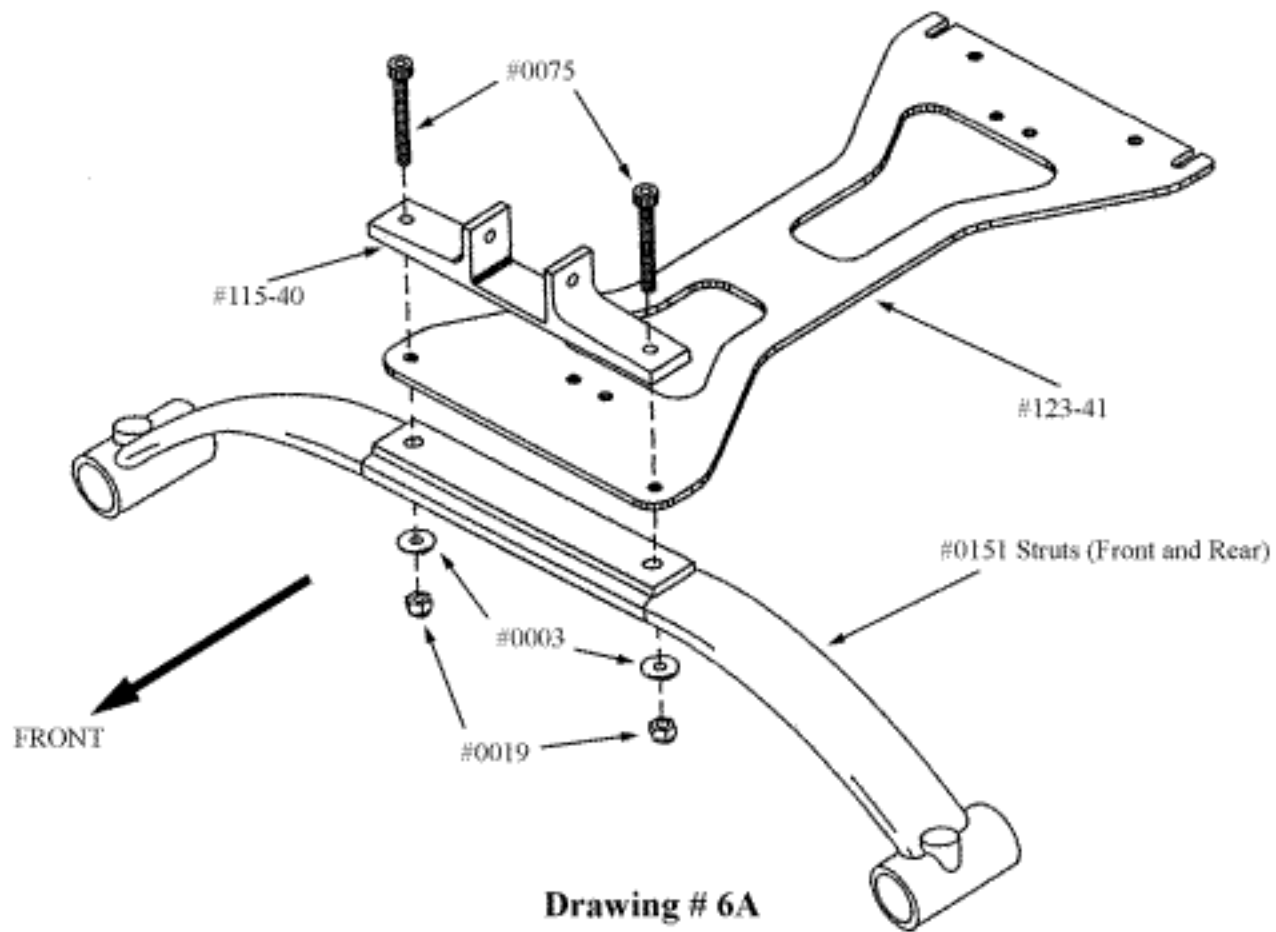
Drawing # 5C



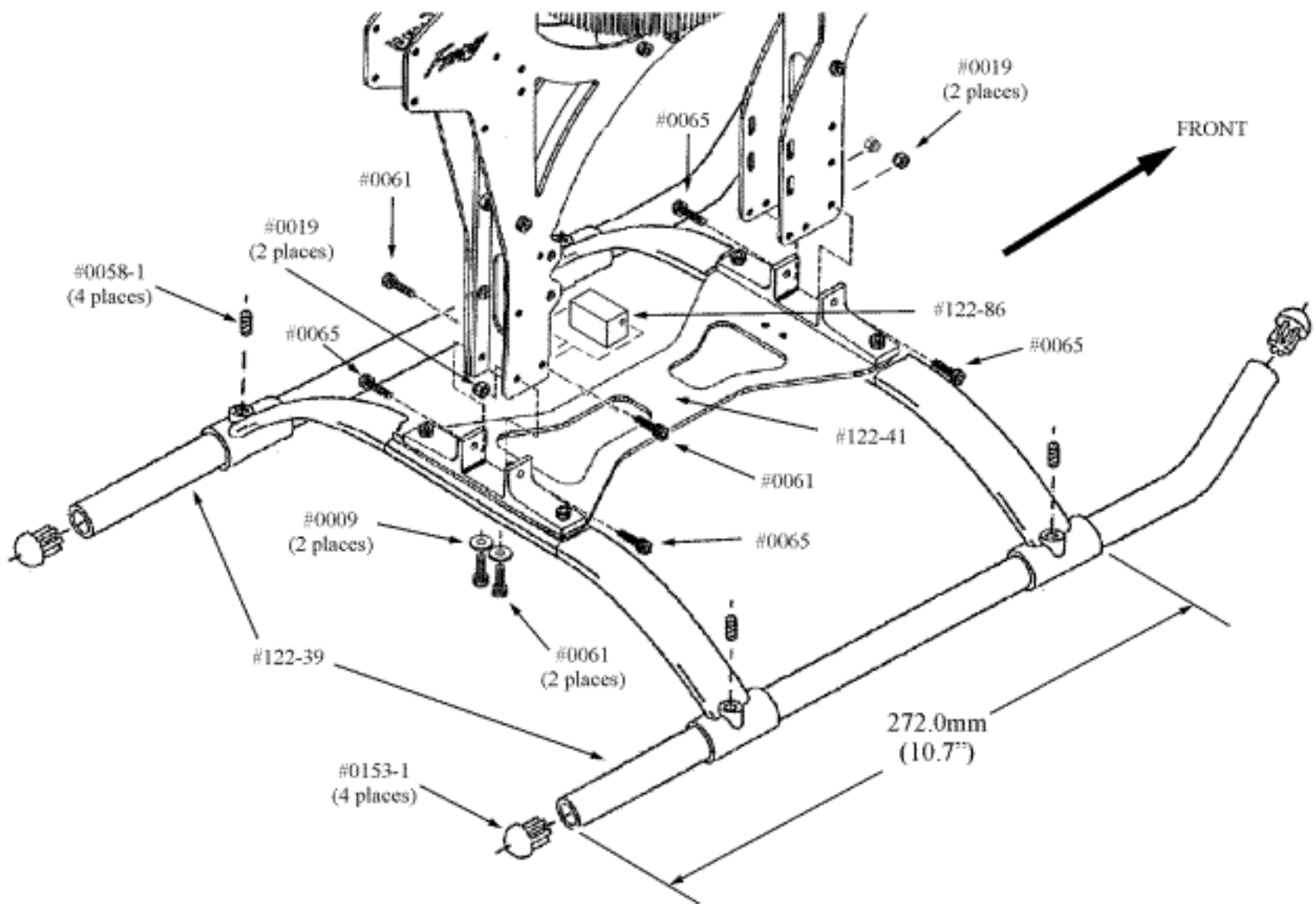
Drawing # 5D



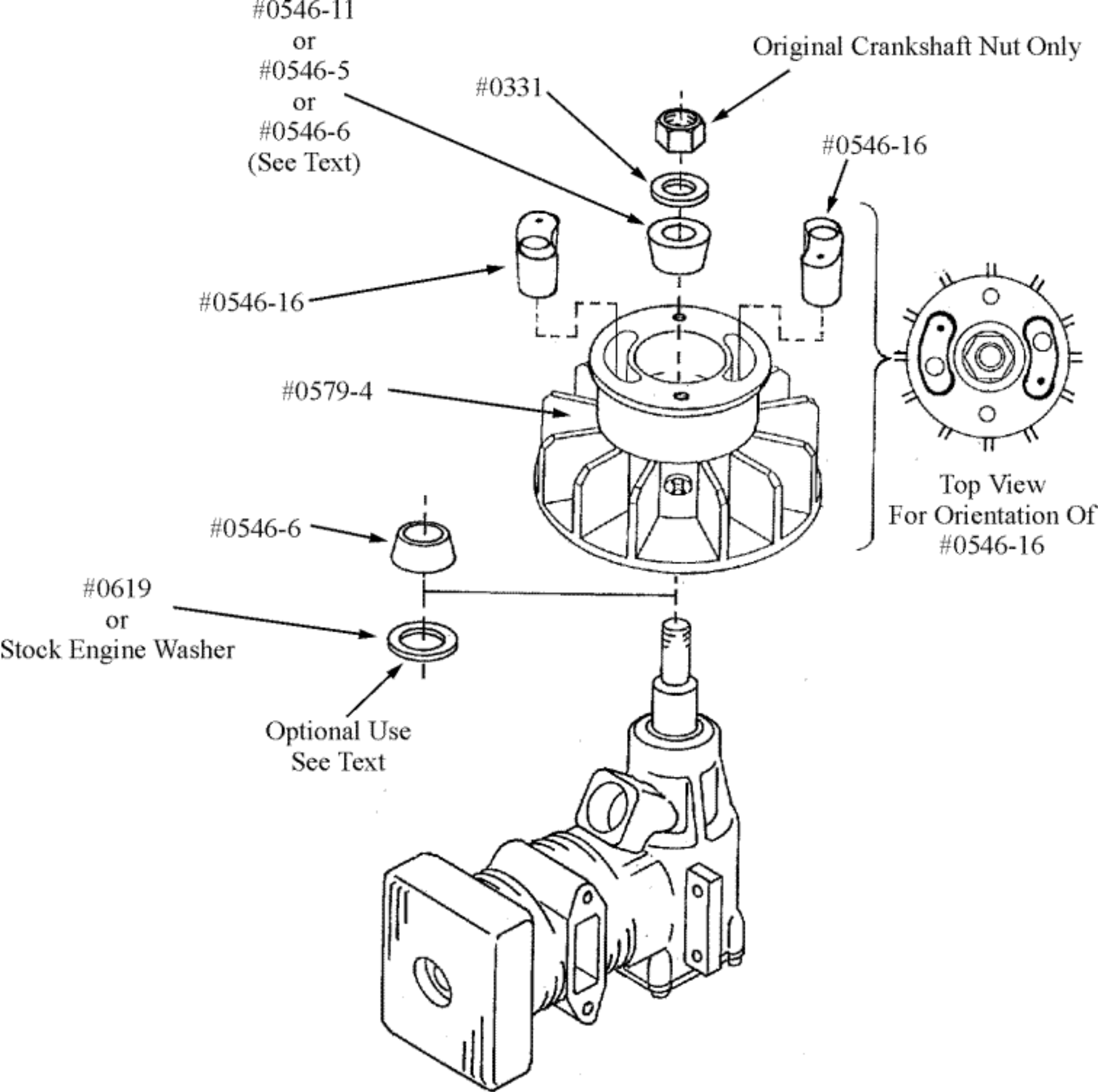
Drawing # 5E



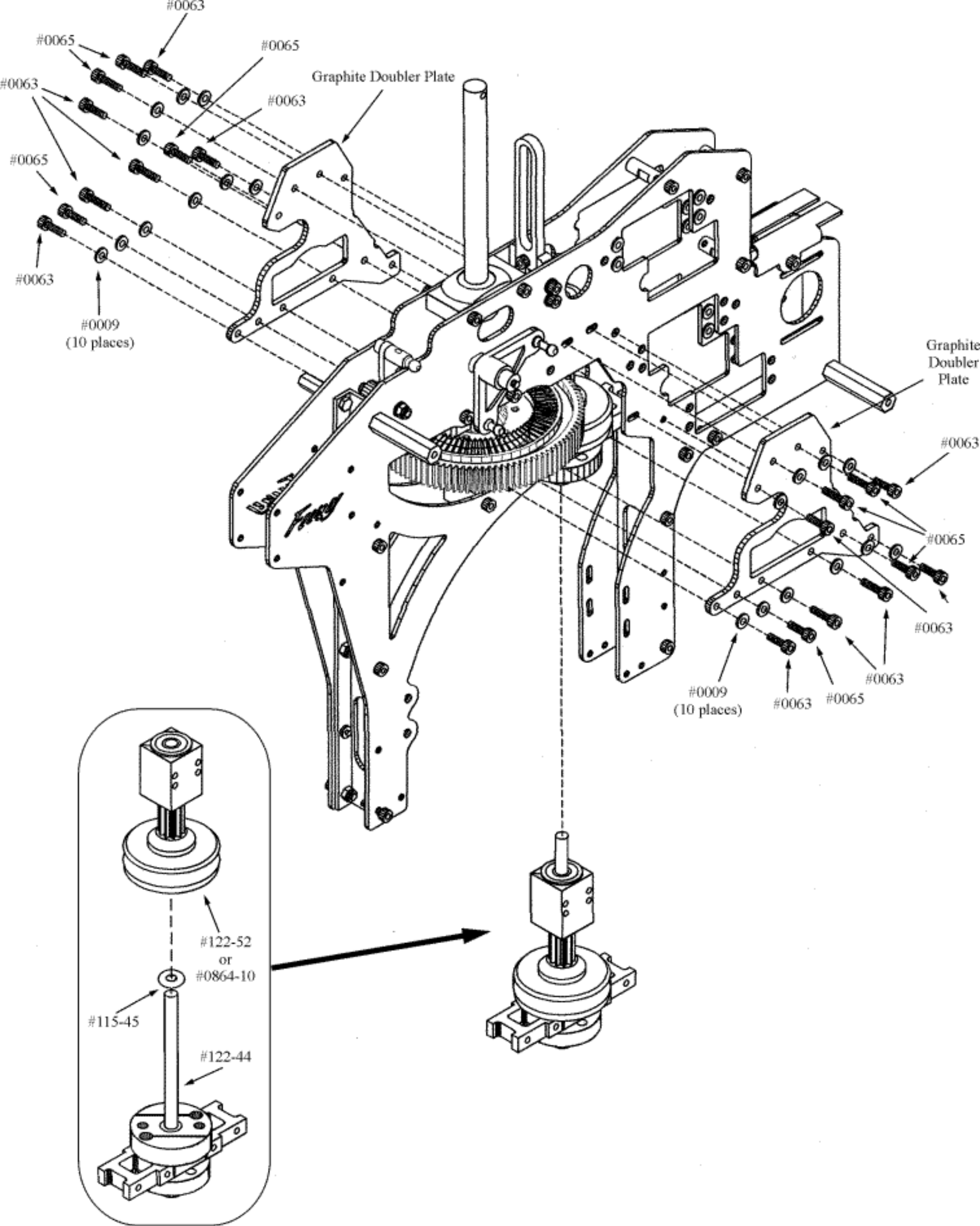
Drawing # 6A



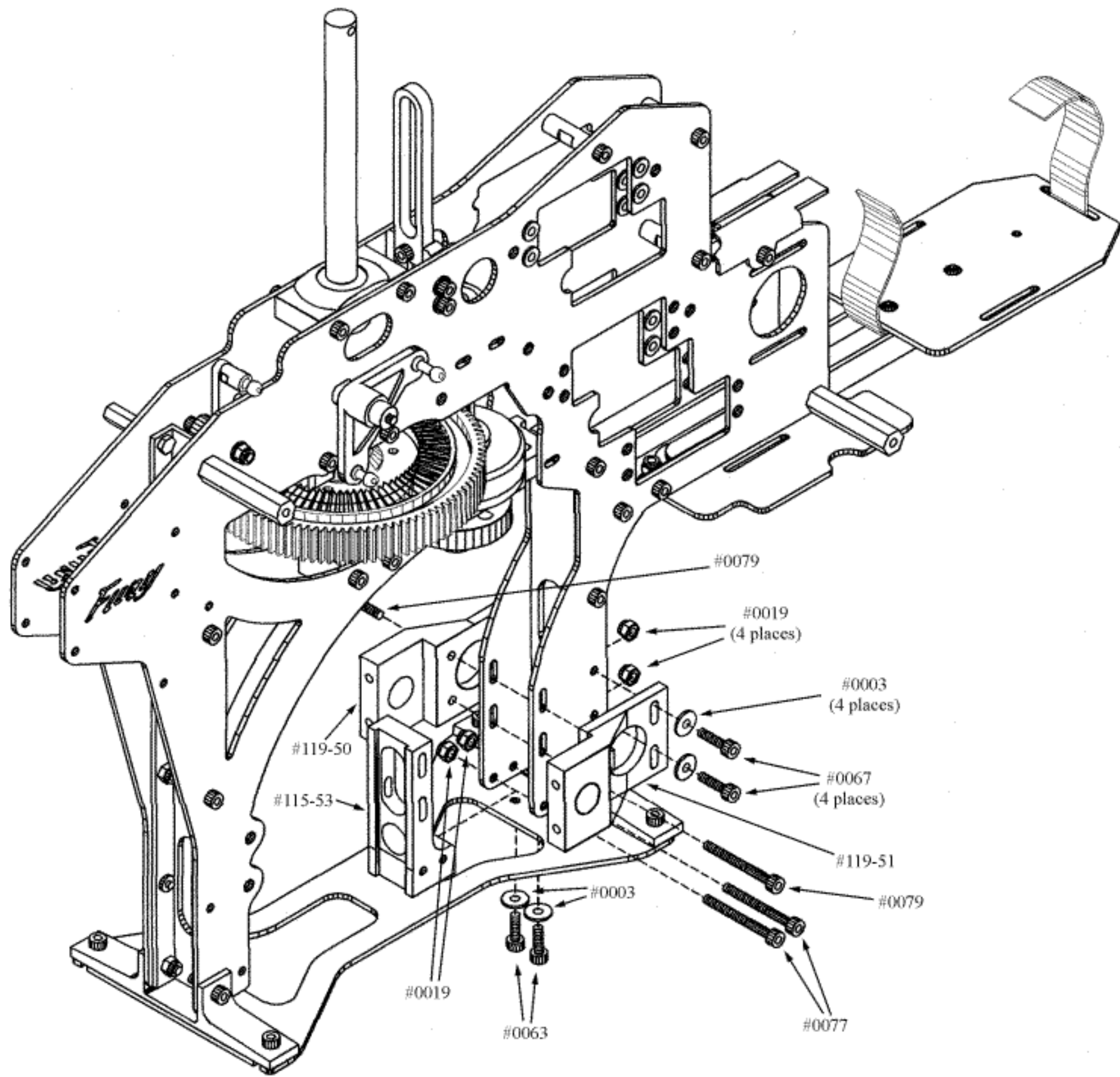
Drawing # 6B



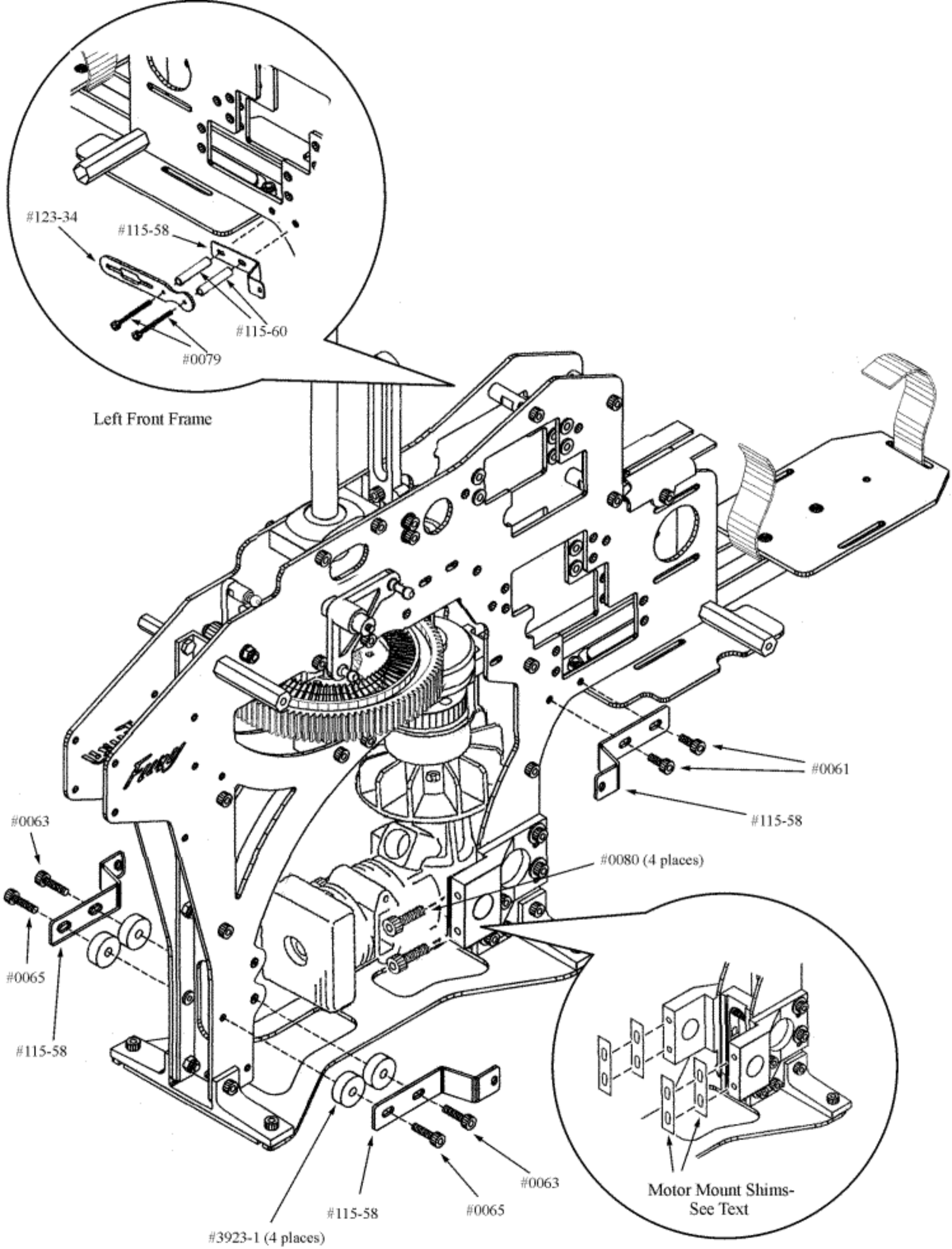
Drawing # 7A



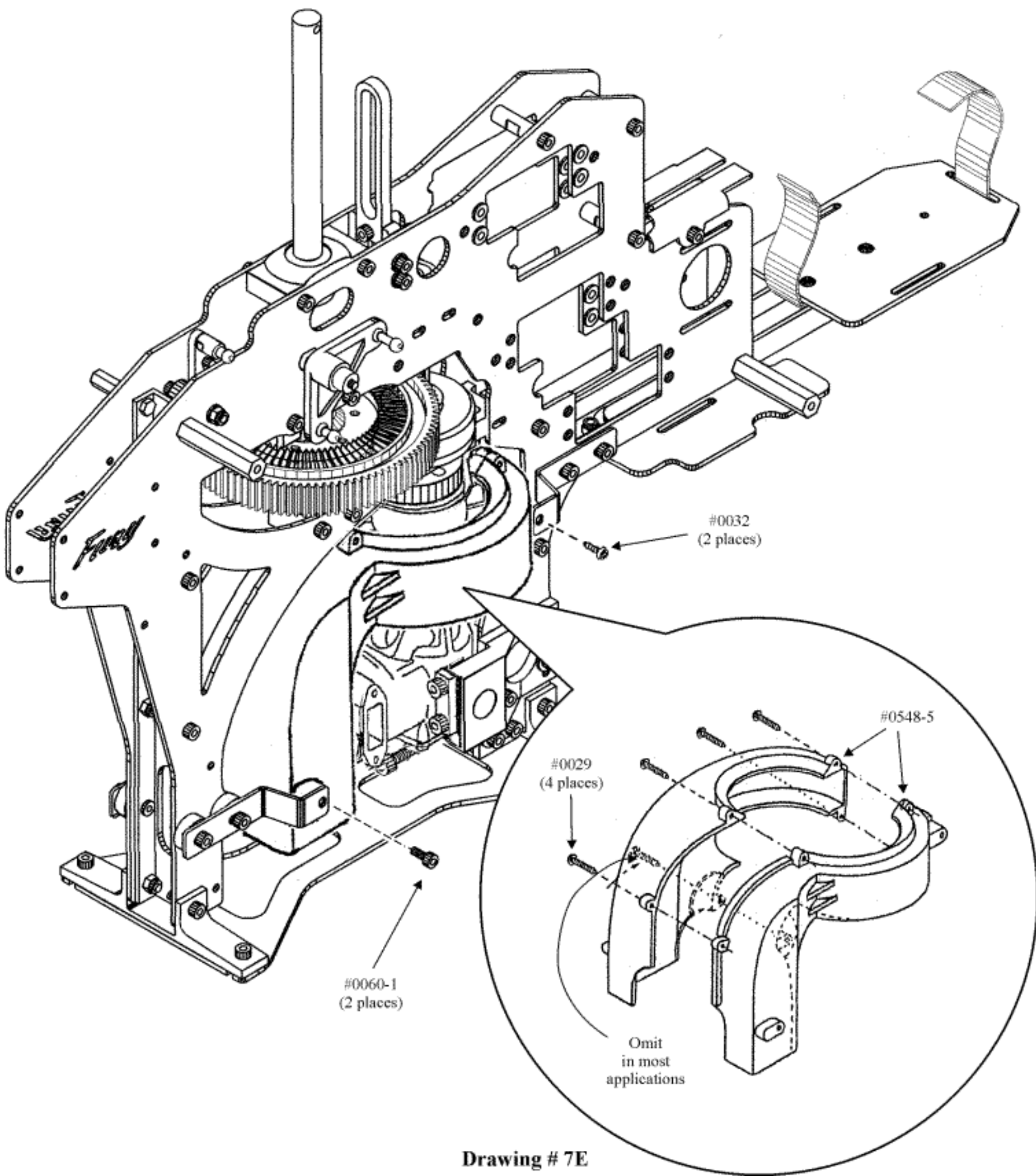
Drawing # 7B



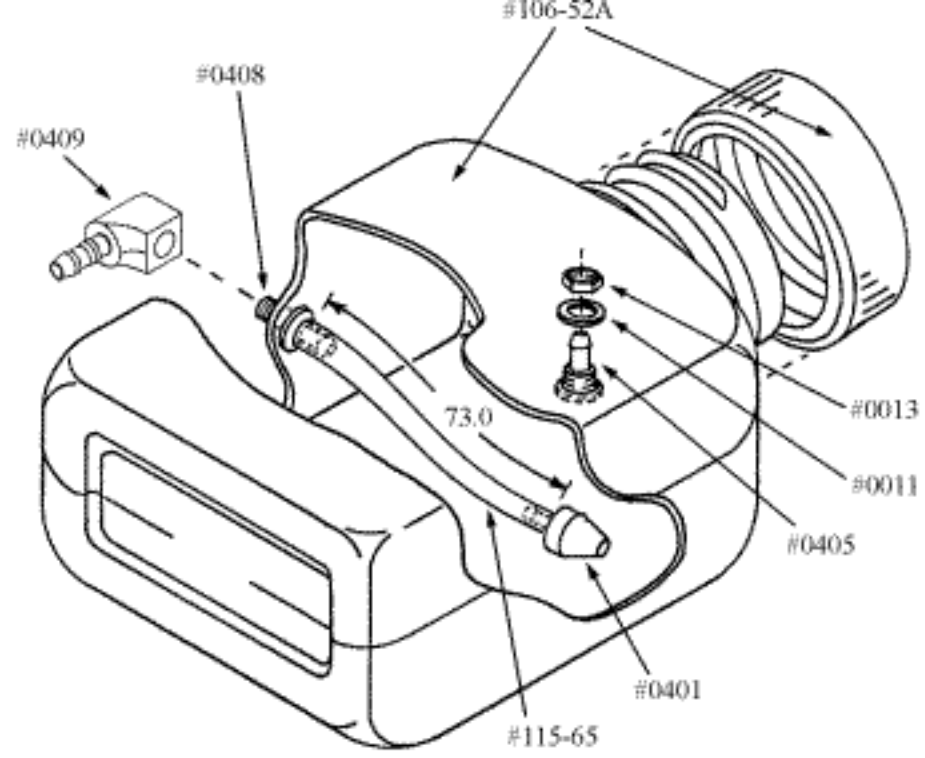
Drawing # 7C



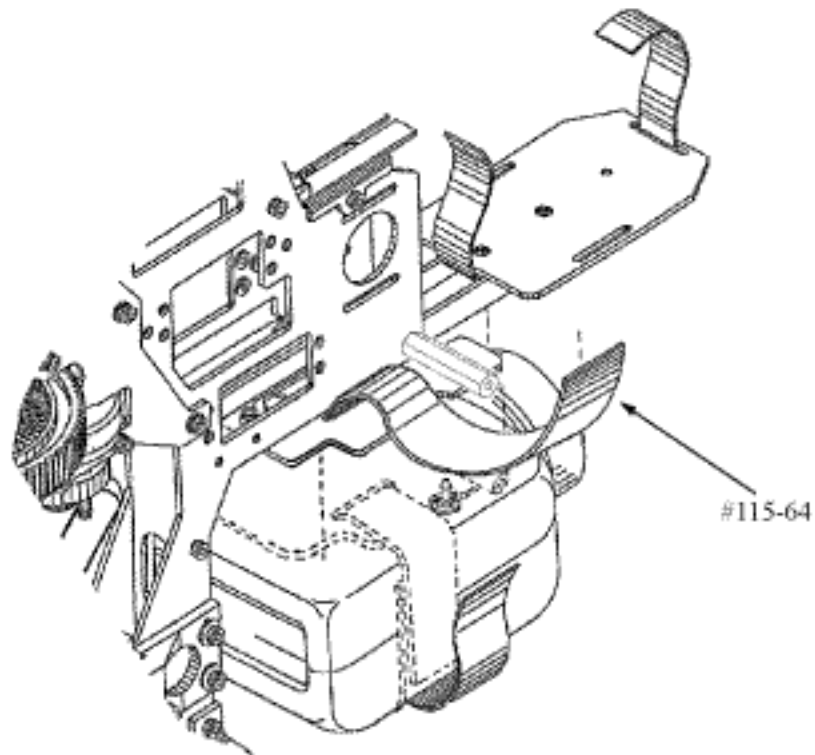
Drawing # 7D



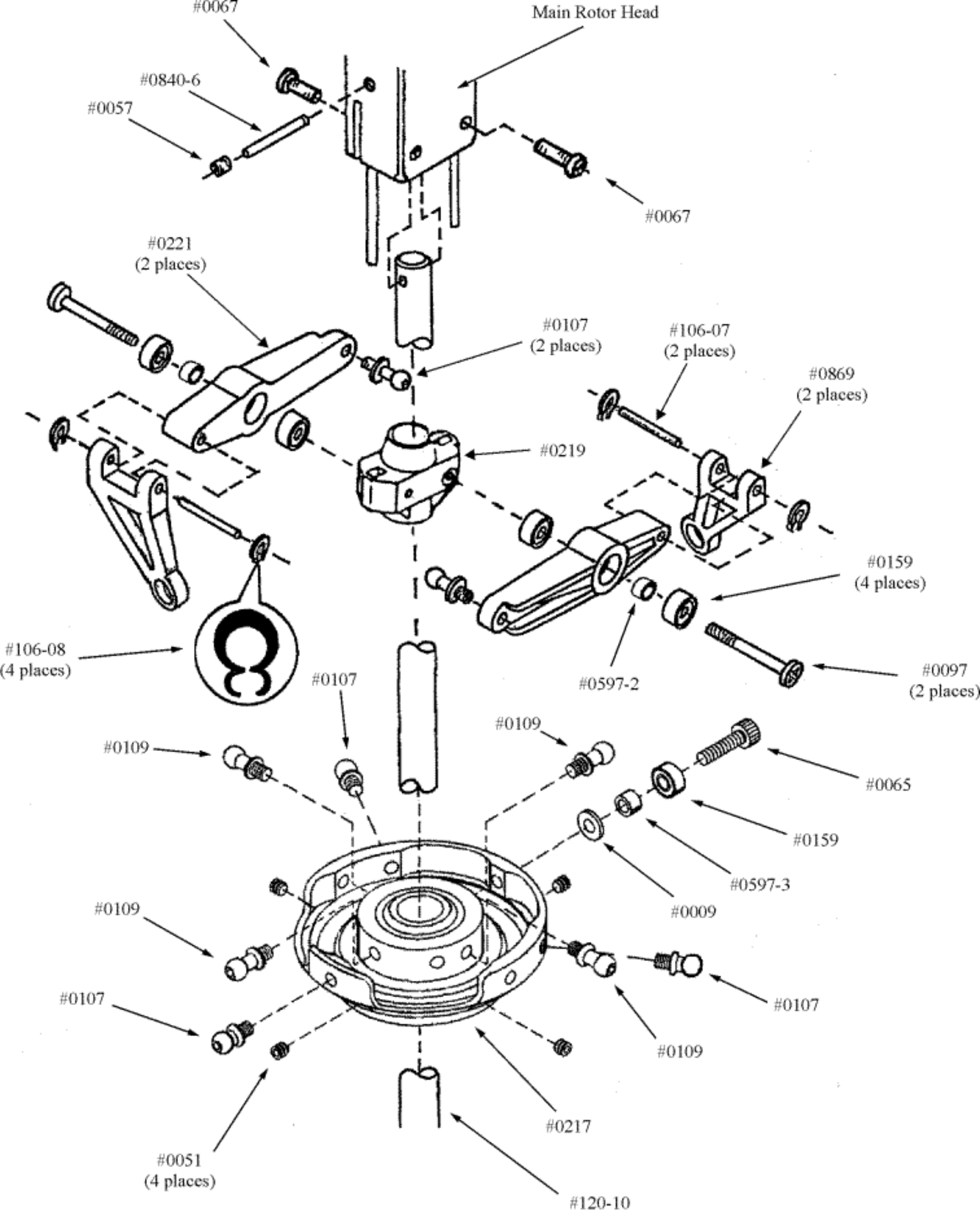
Drawing # 7E



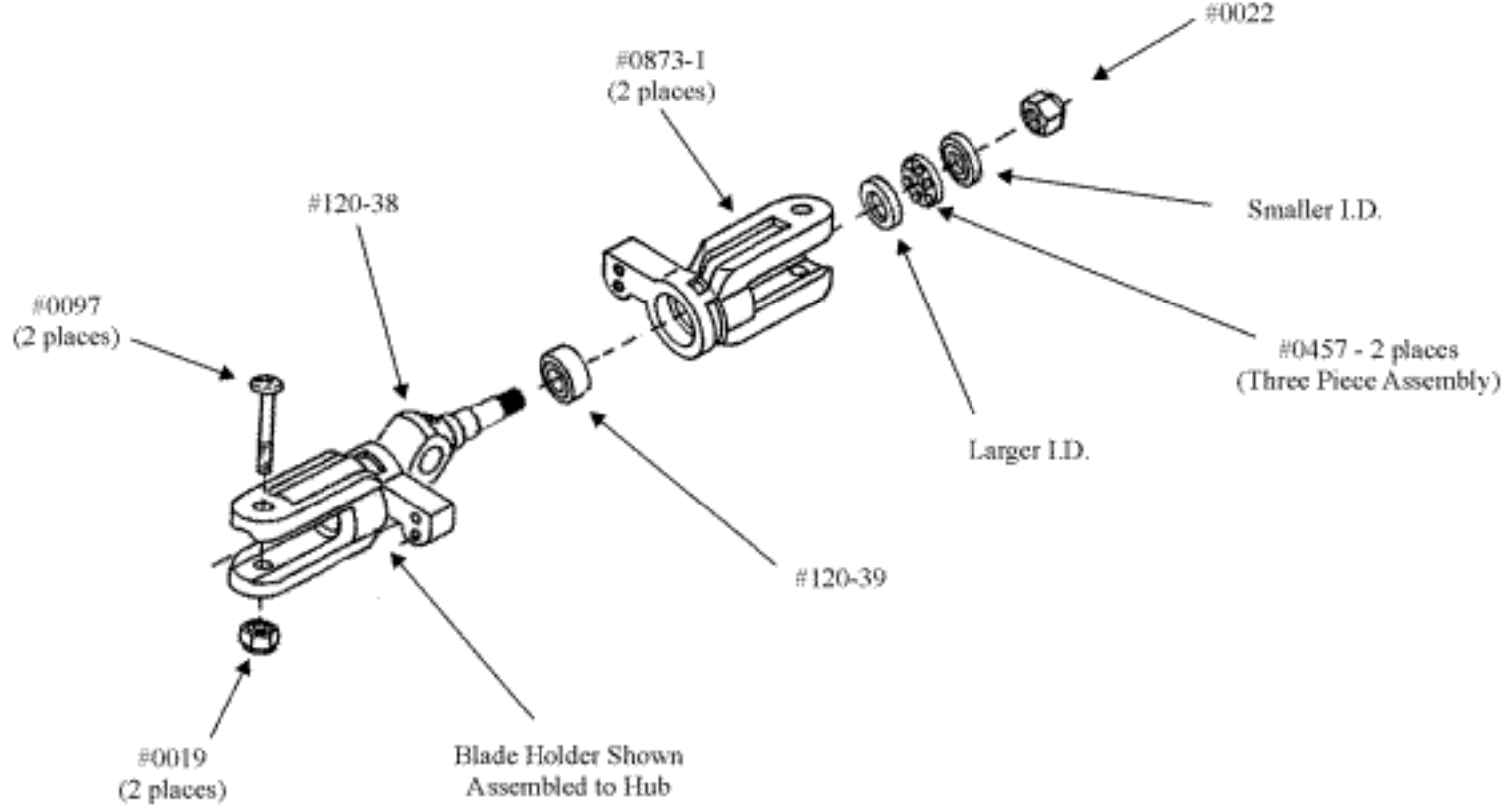
Drawing # 8A



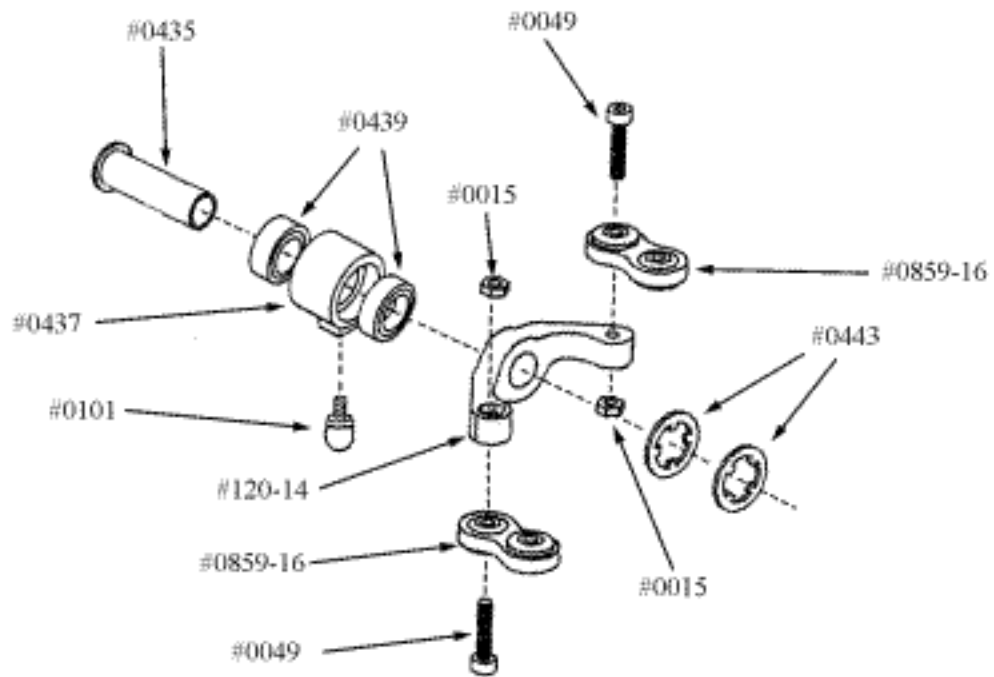
Drawing # 8B



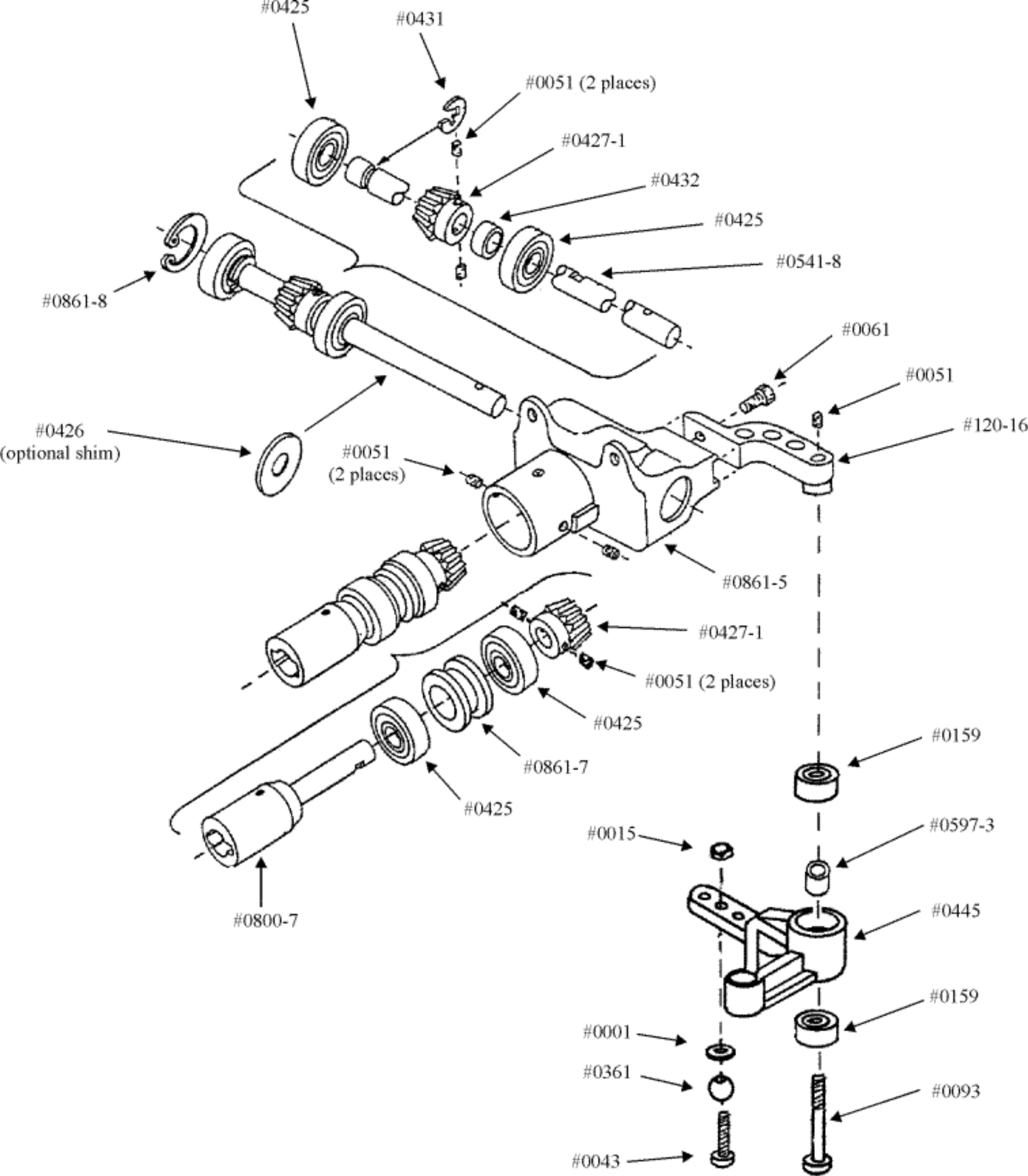
Drawing # 9A



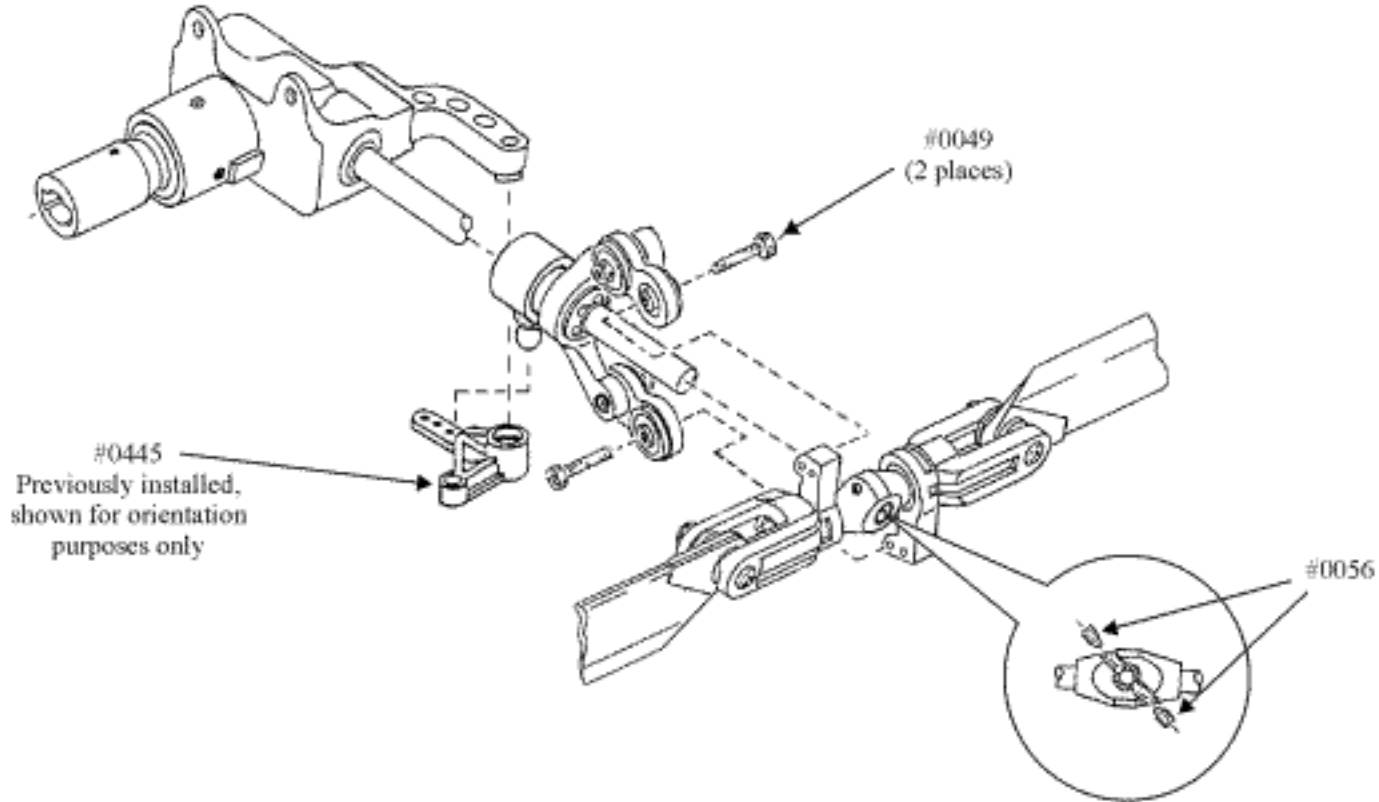
Drawing # 10A



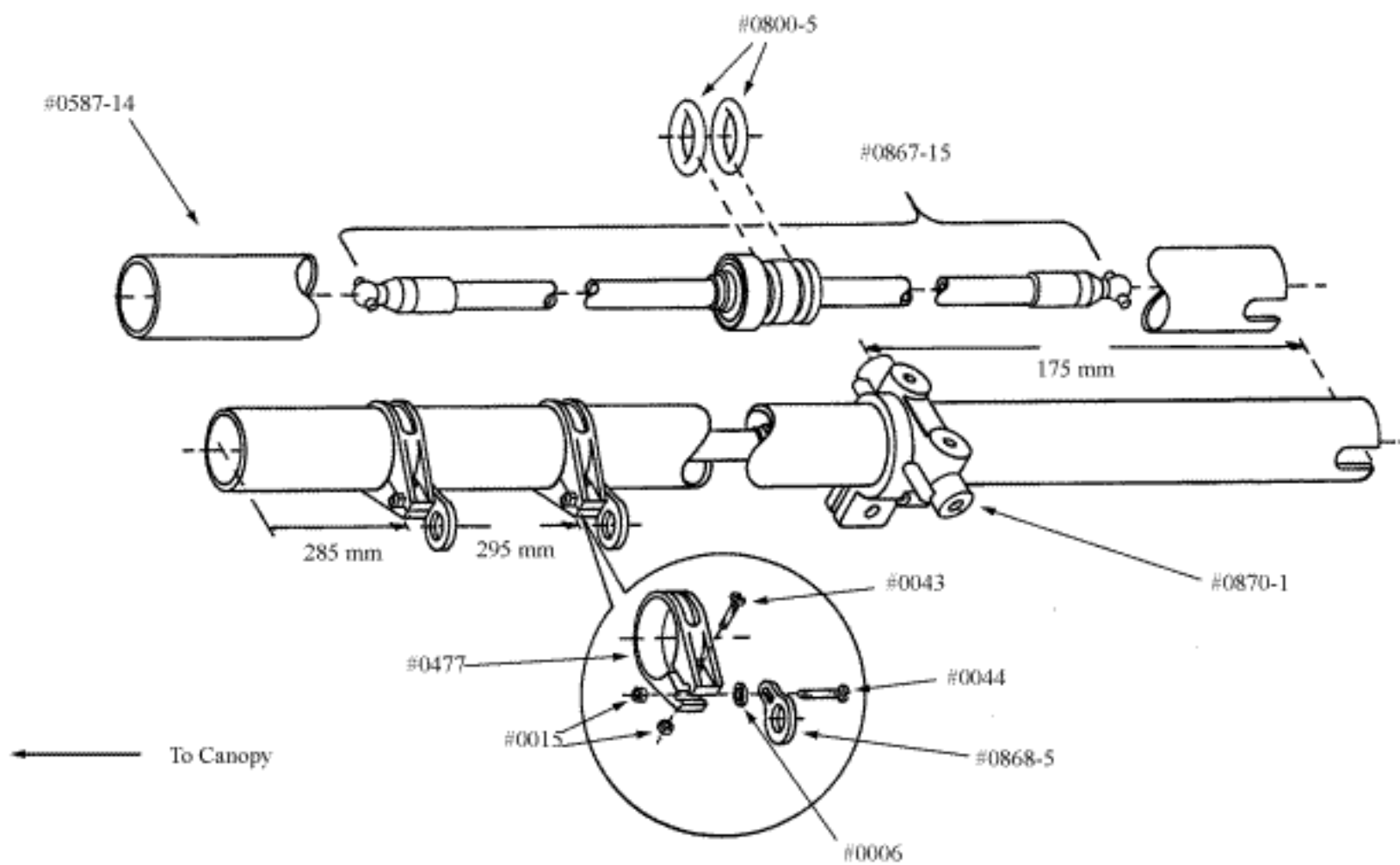
Drawing # 10B



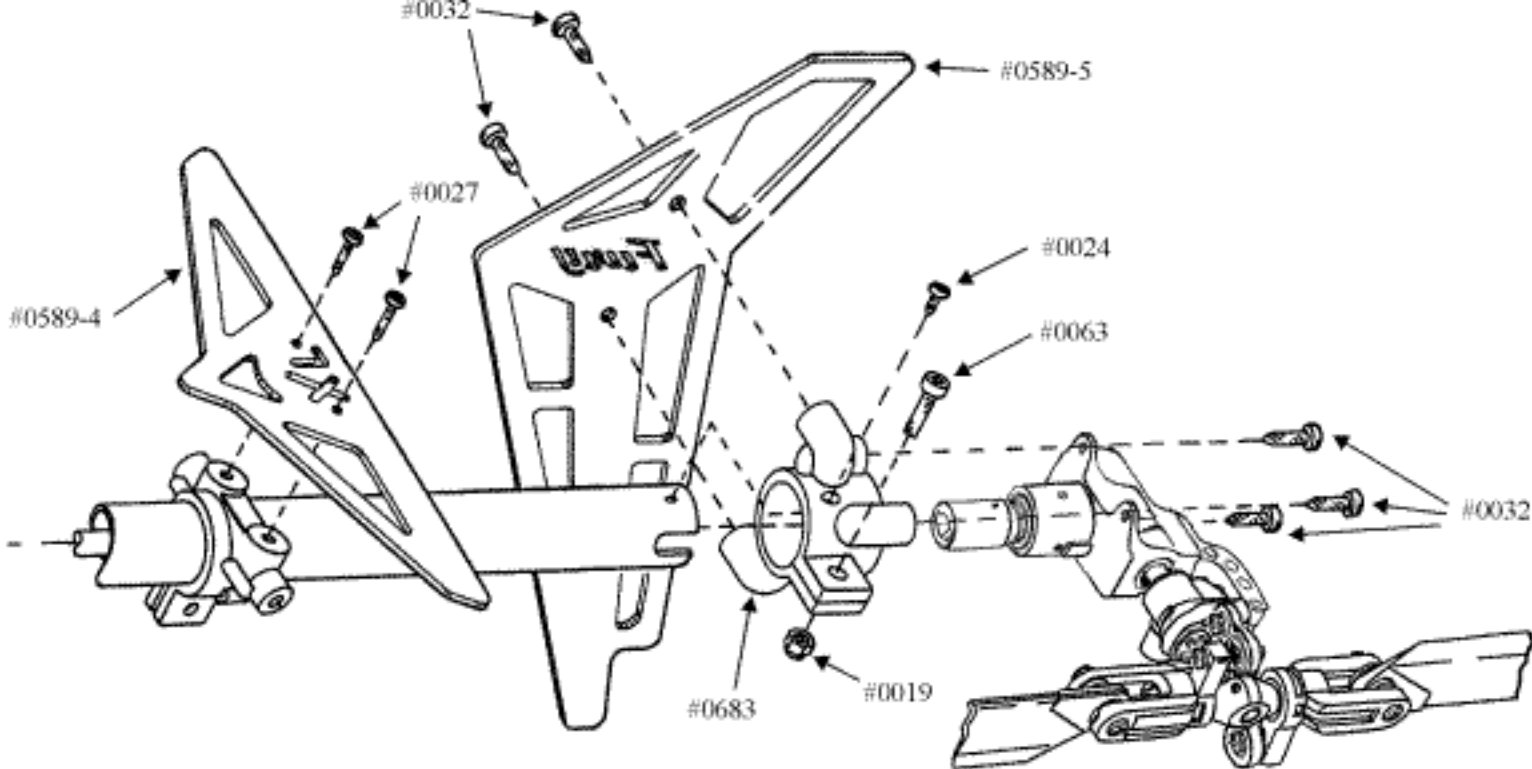
Drawing # 10C



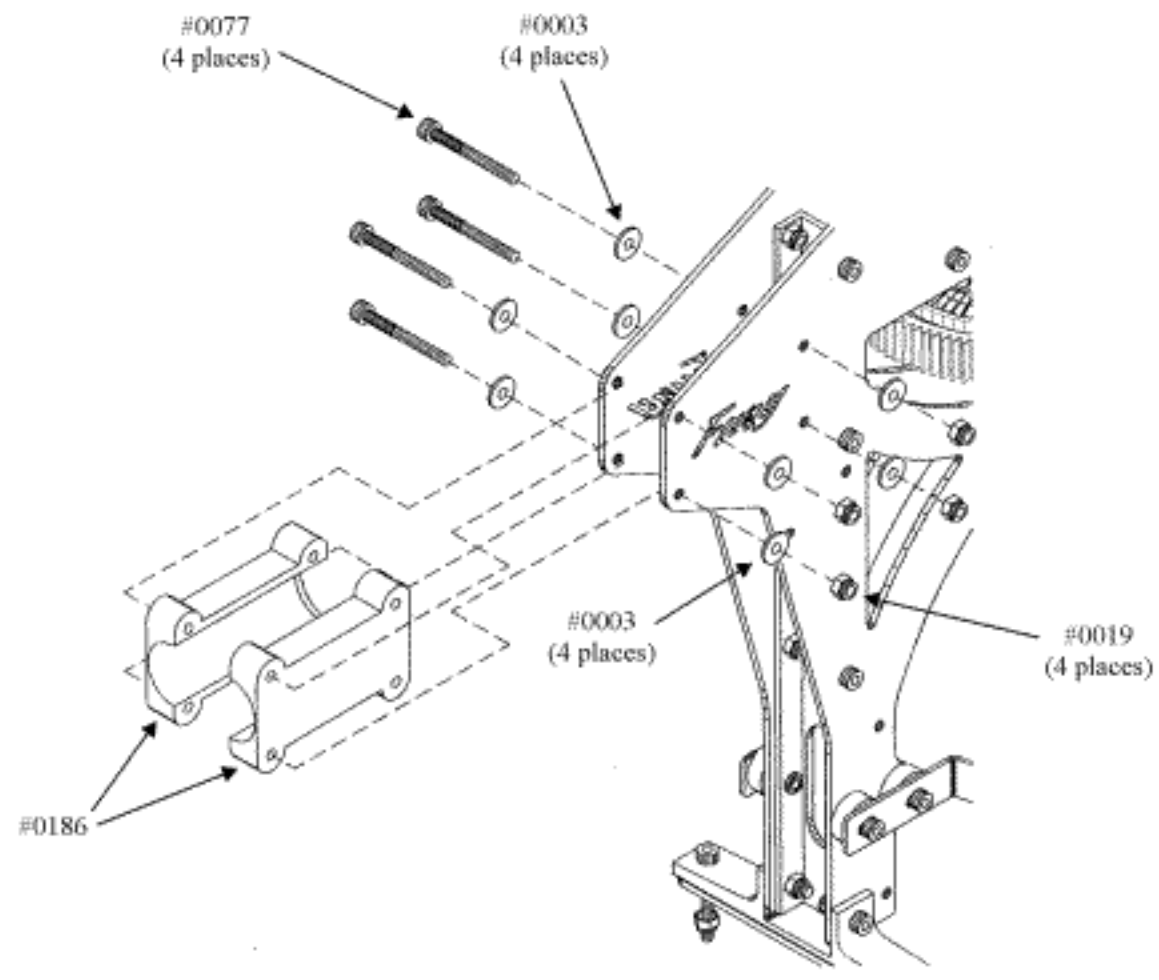
Drawing # 10C-1



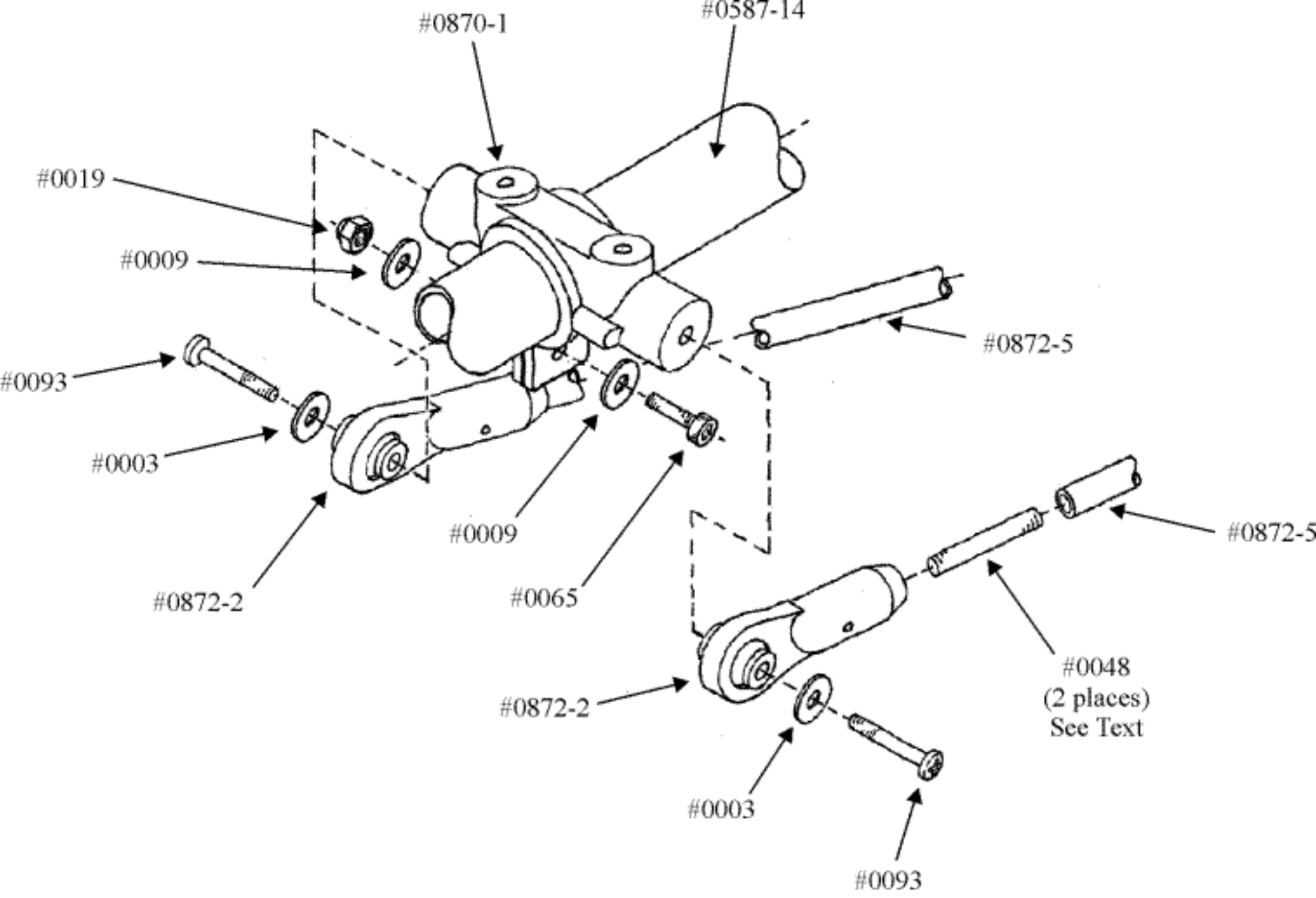
Drawing #11A



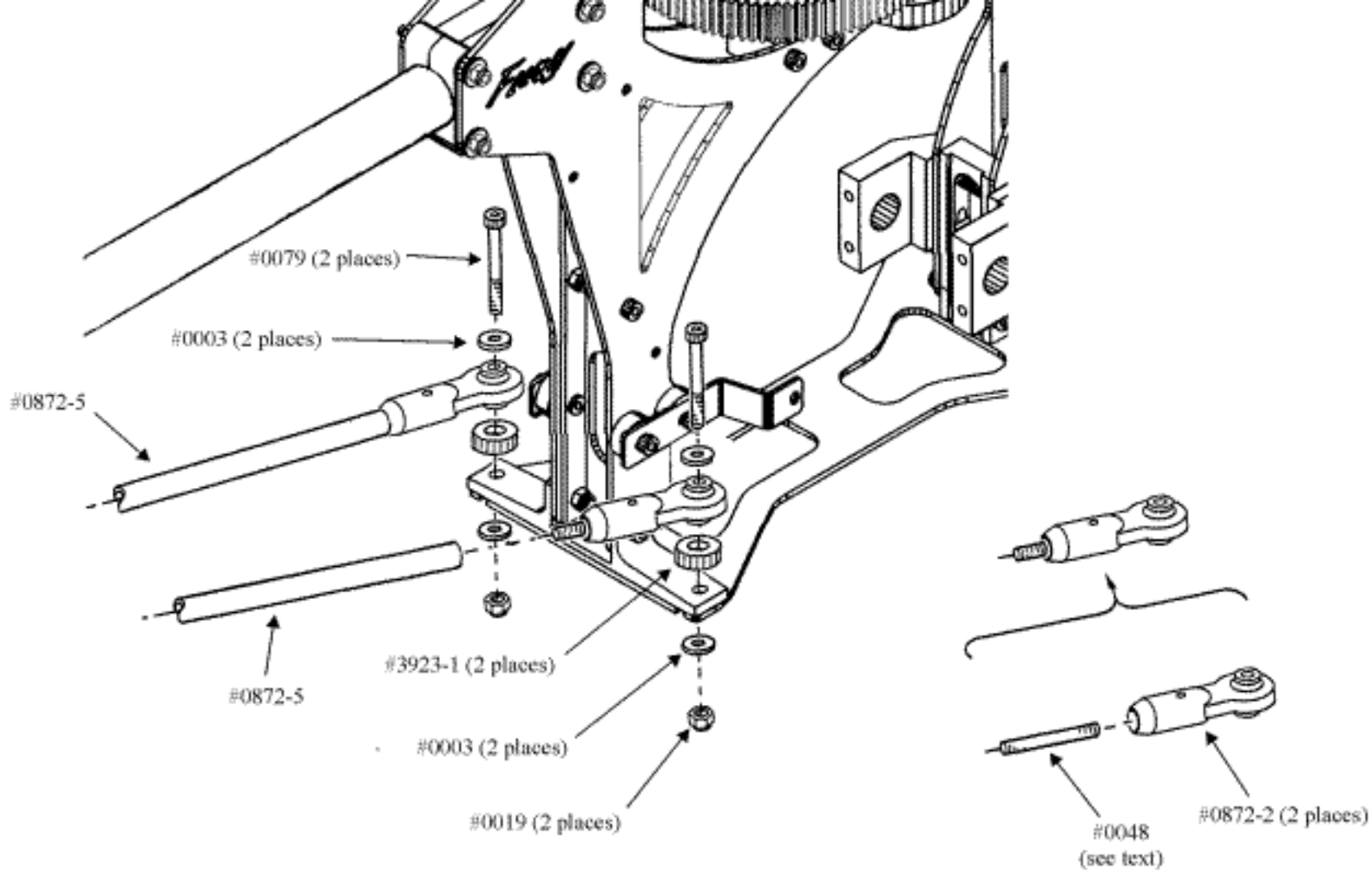
Drawing #11B



Drawing # 11B-1

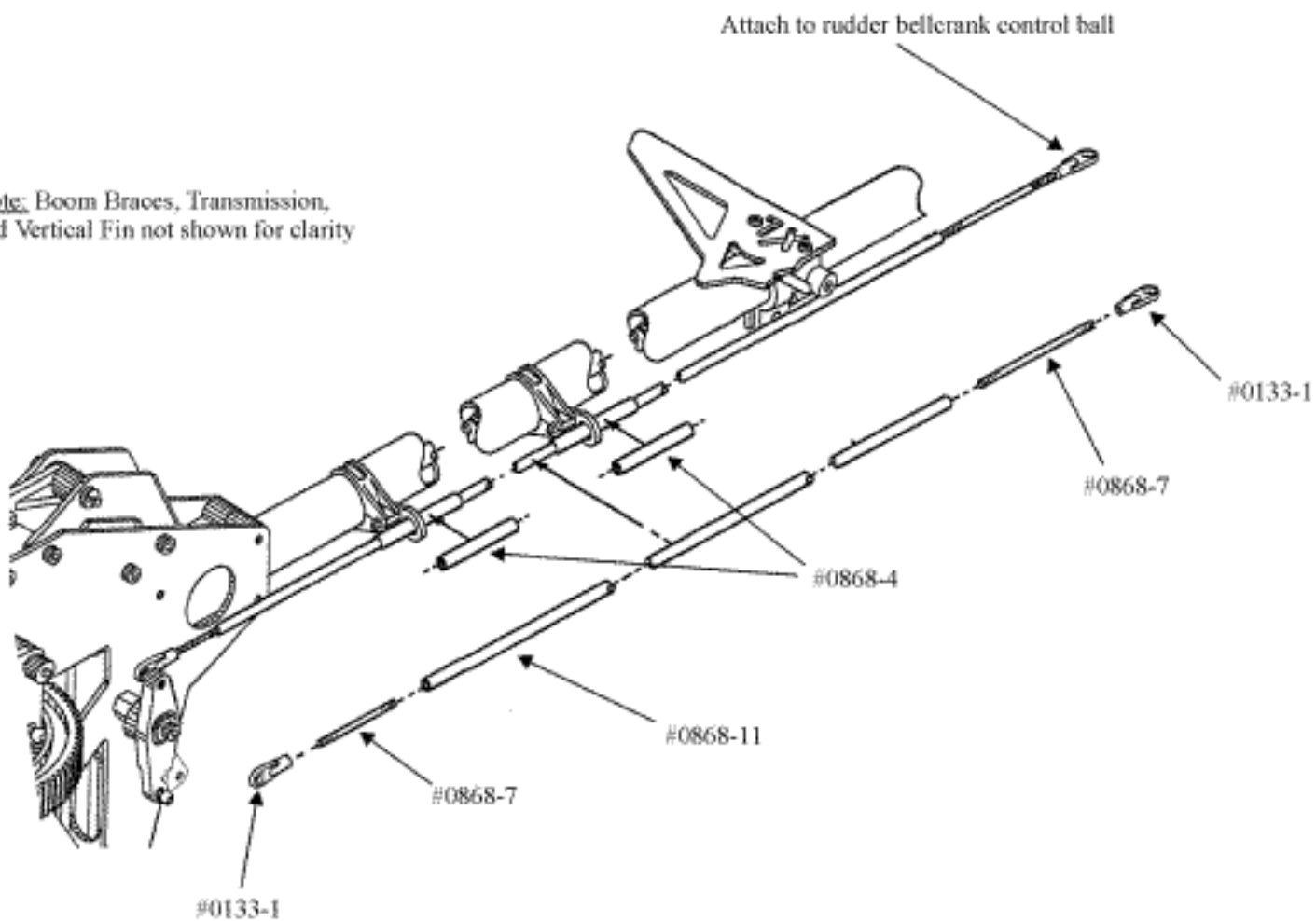


Drawing # 11C

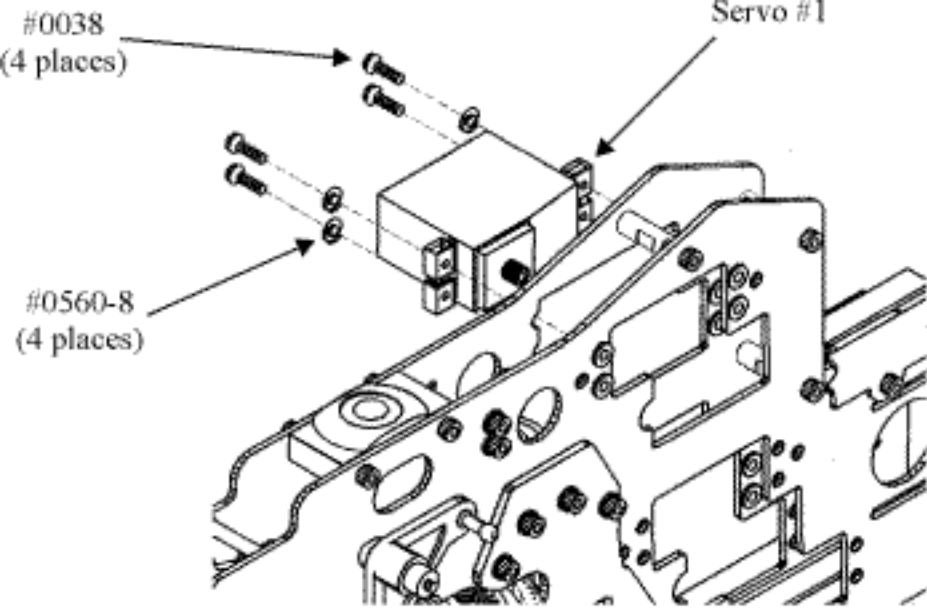


Drawing 11C-1

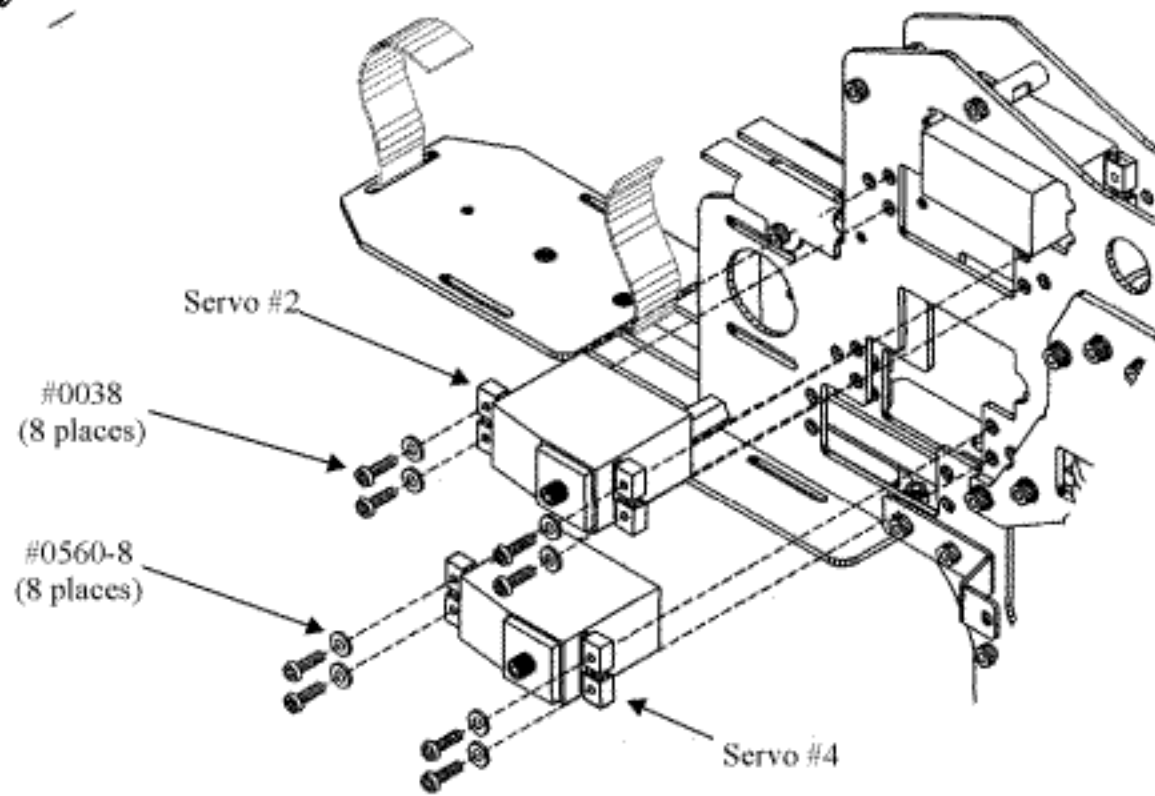
Note: Boom Braces, Transmission, and Vertical Fin not shown for clarity



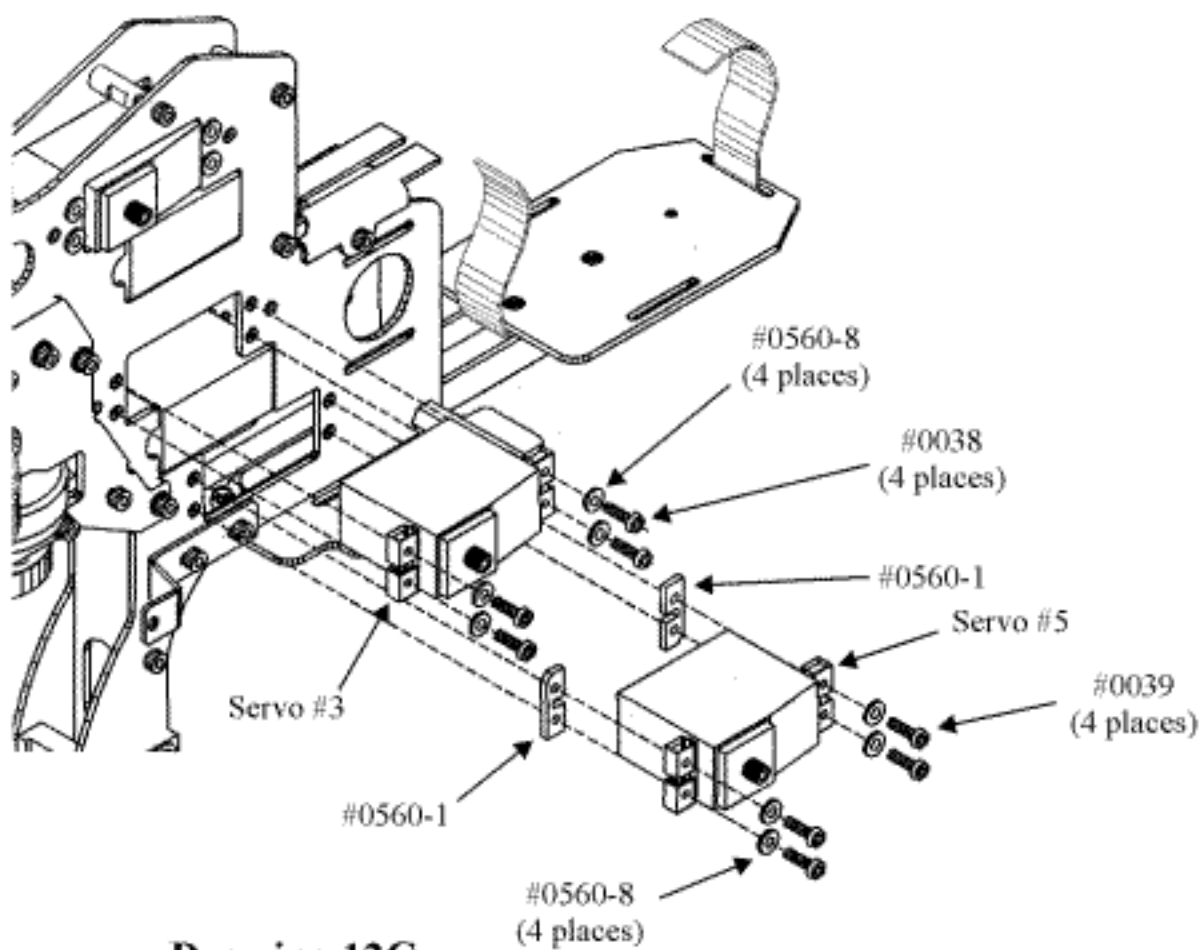
Drawing 11D



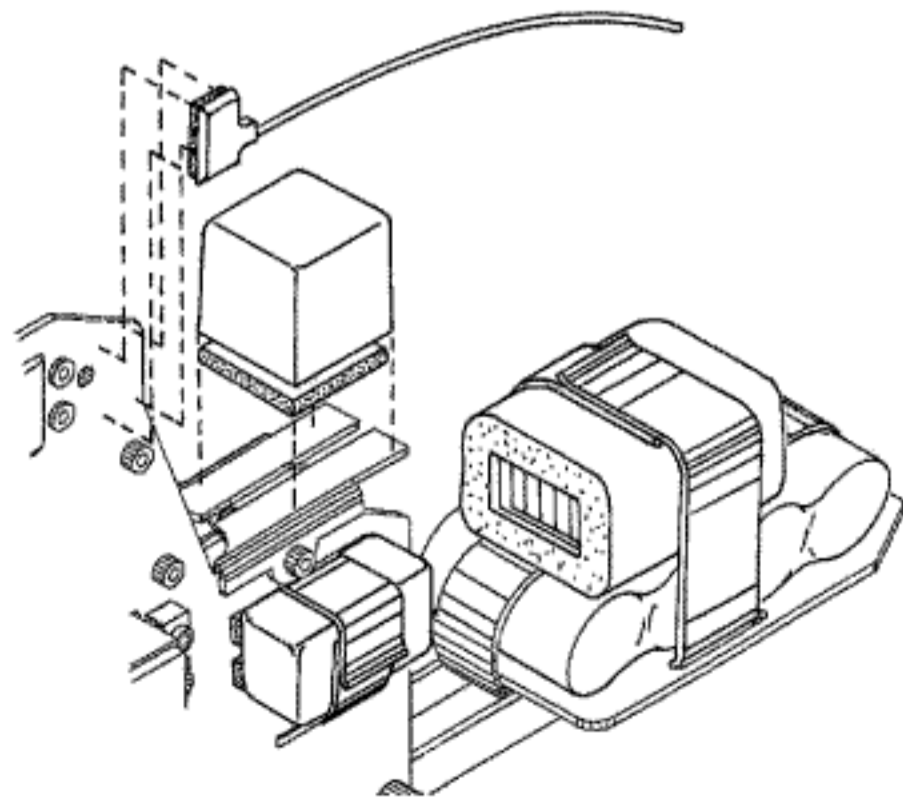
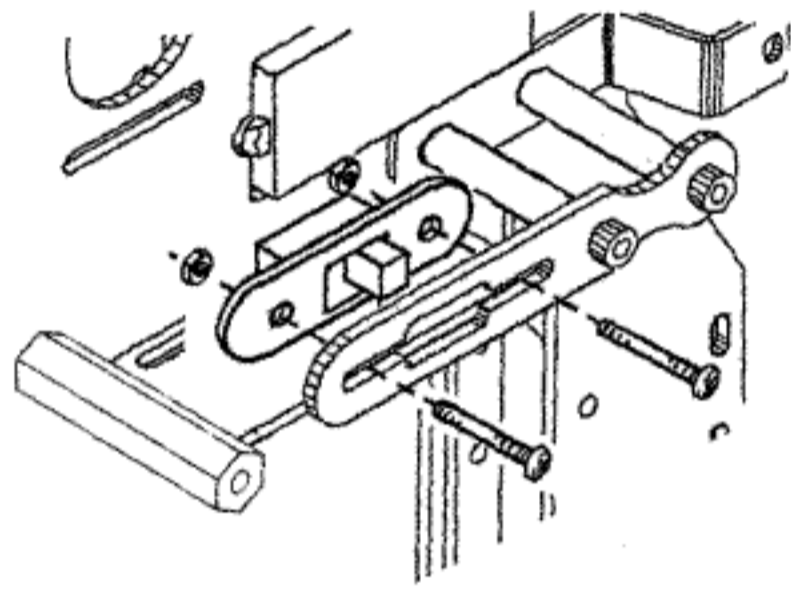
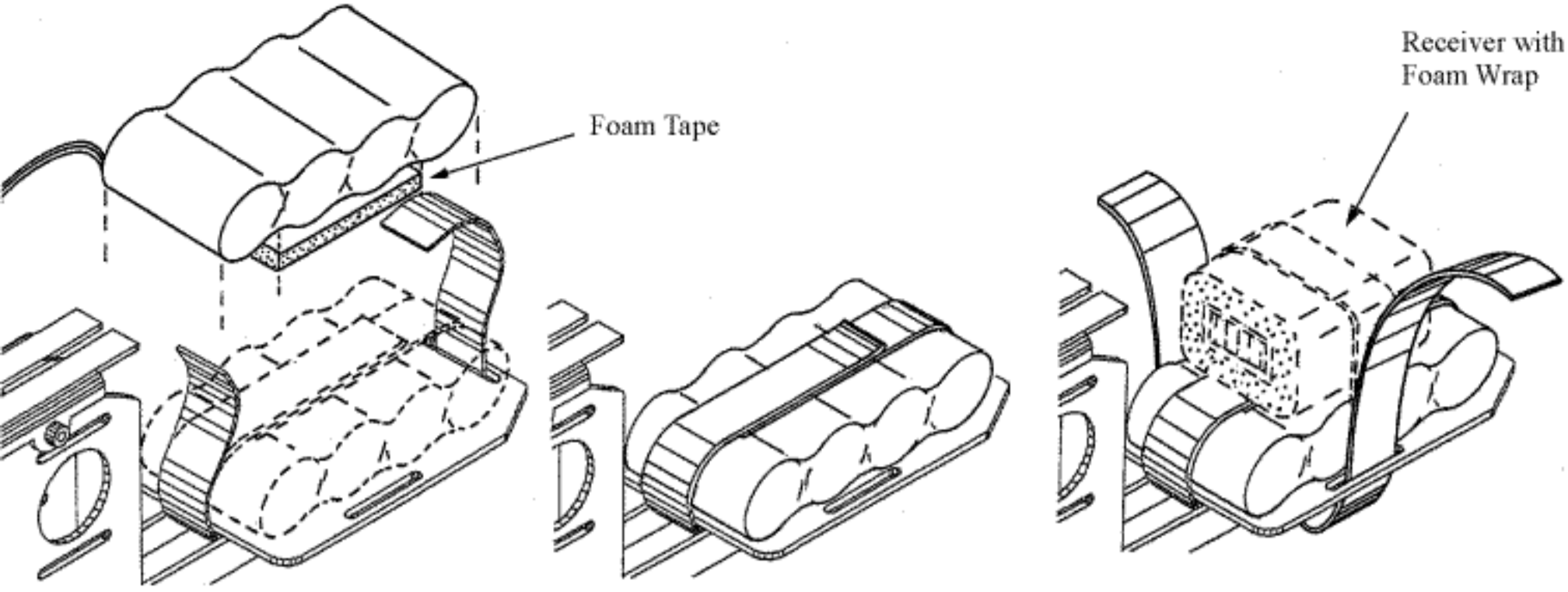
Drawing 12A



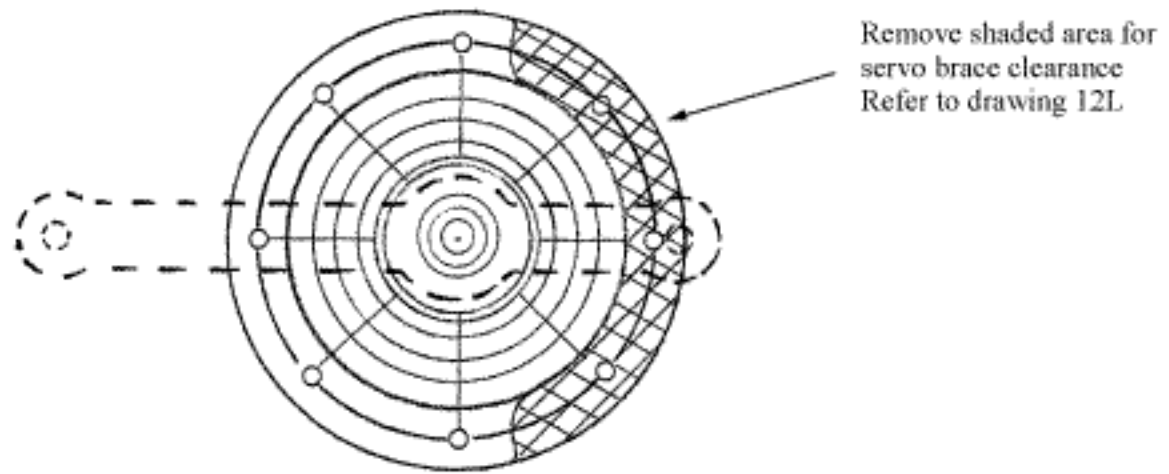
Drawing 12B



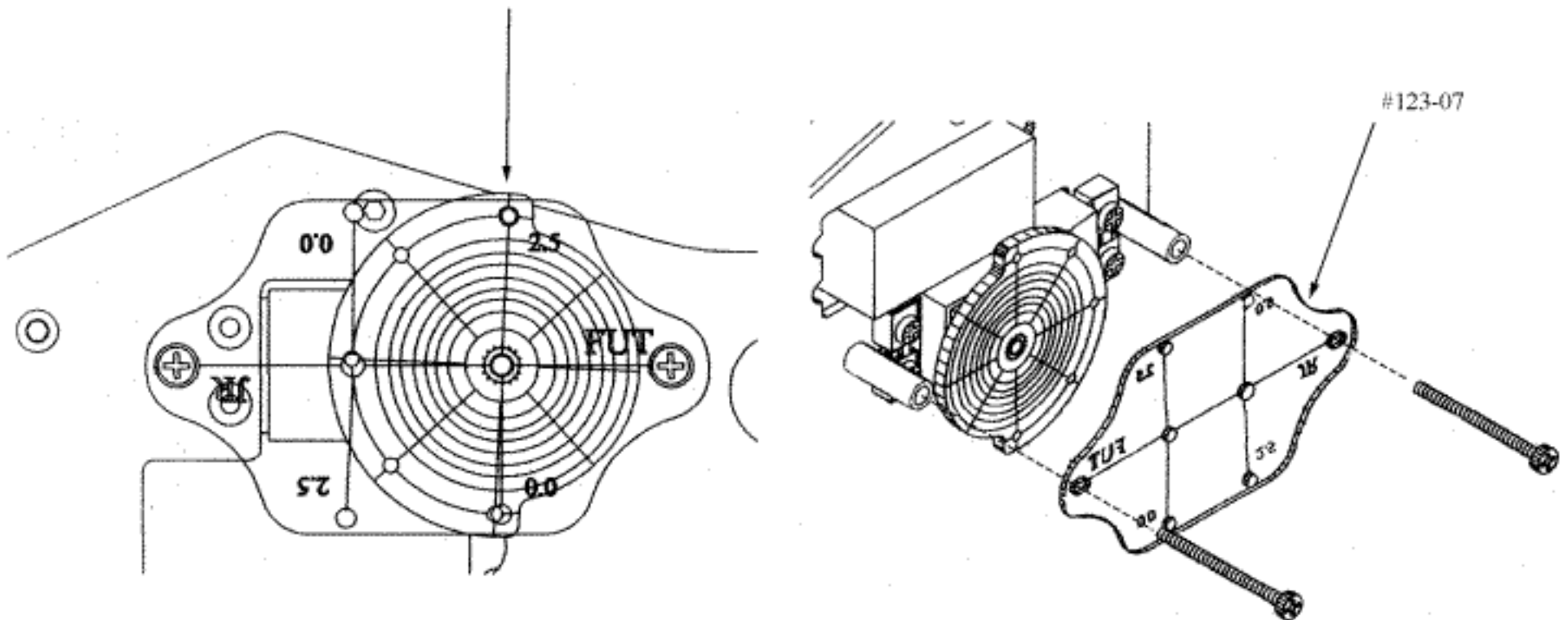
Drawing 12C



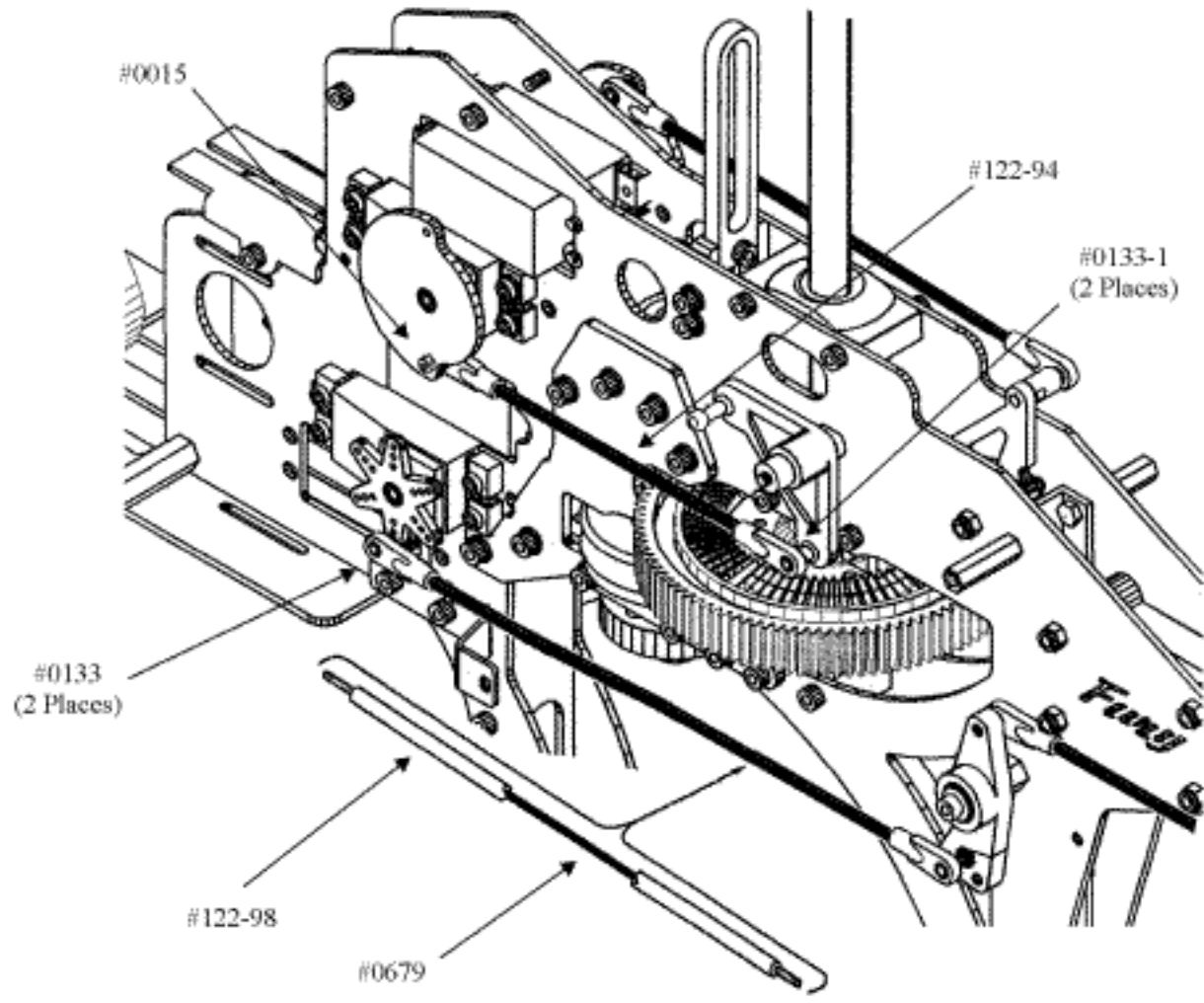
Drawing 12D



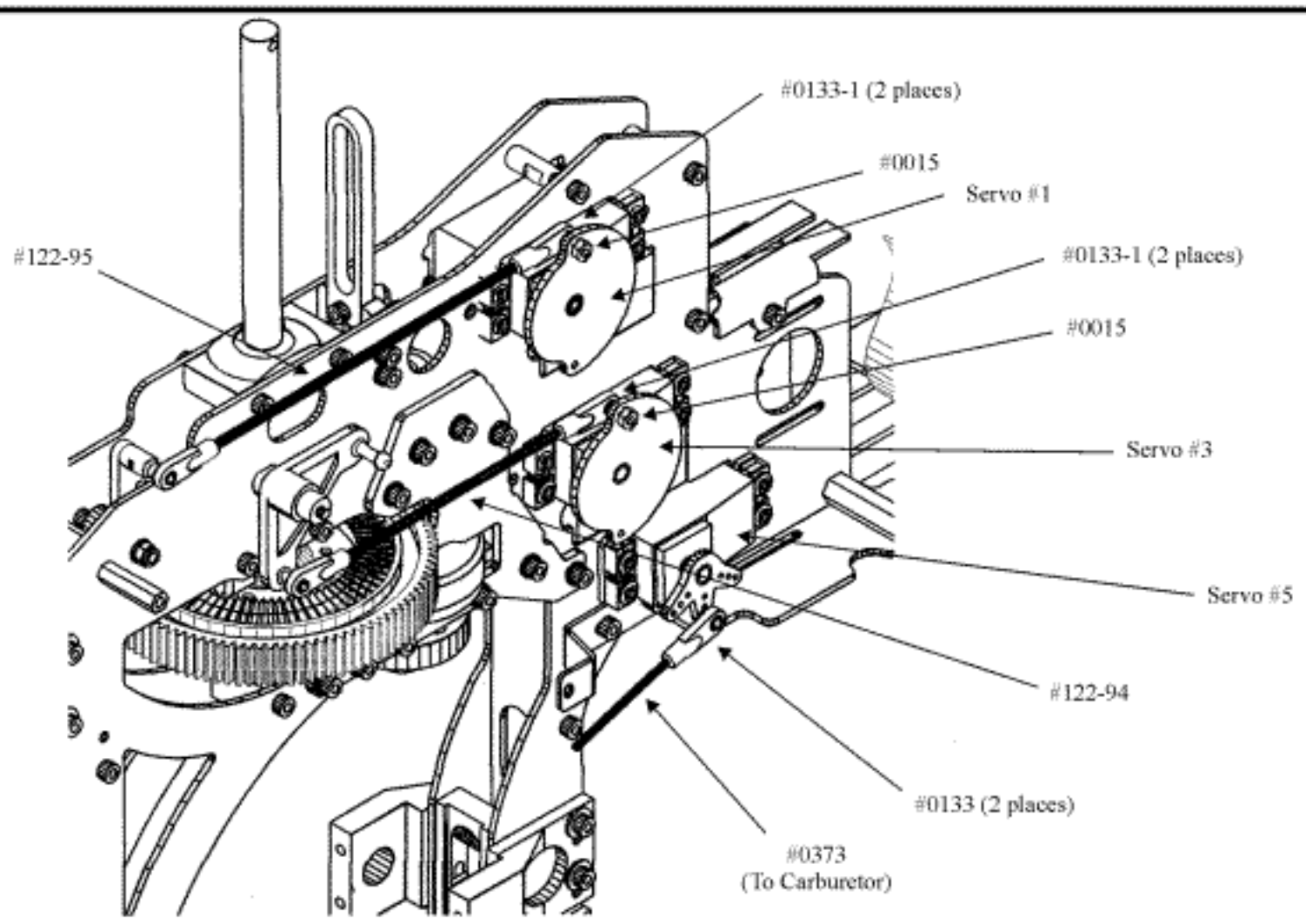
NOTE 2.5 DEGREE ANGLE FOR ELEVATOR



Drawing 12E

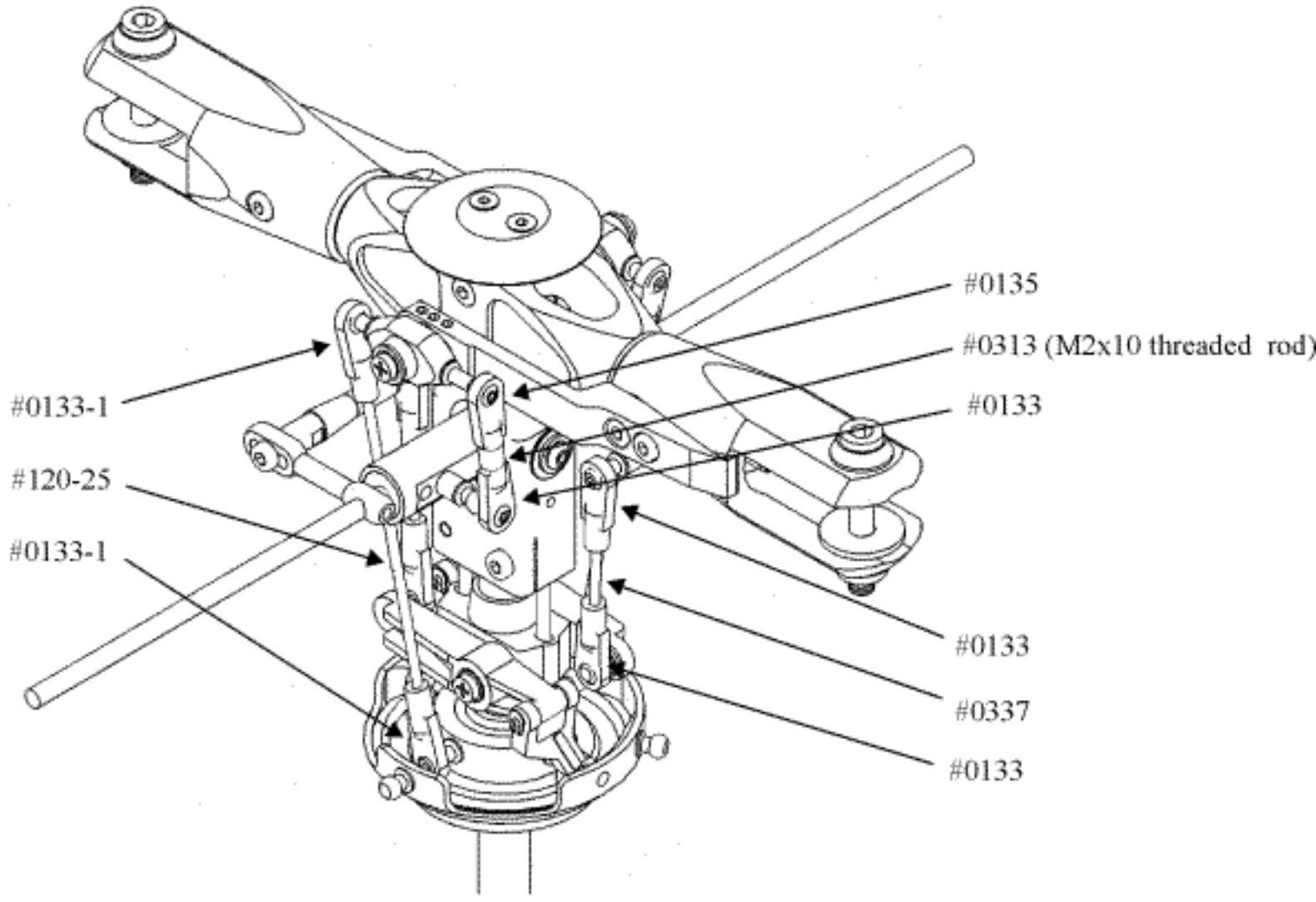


Drawing 12F

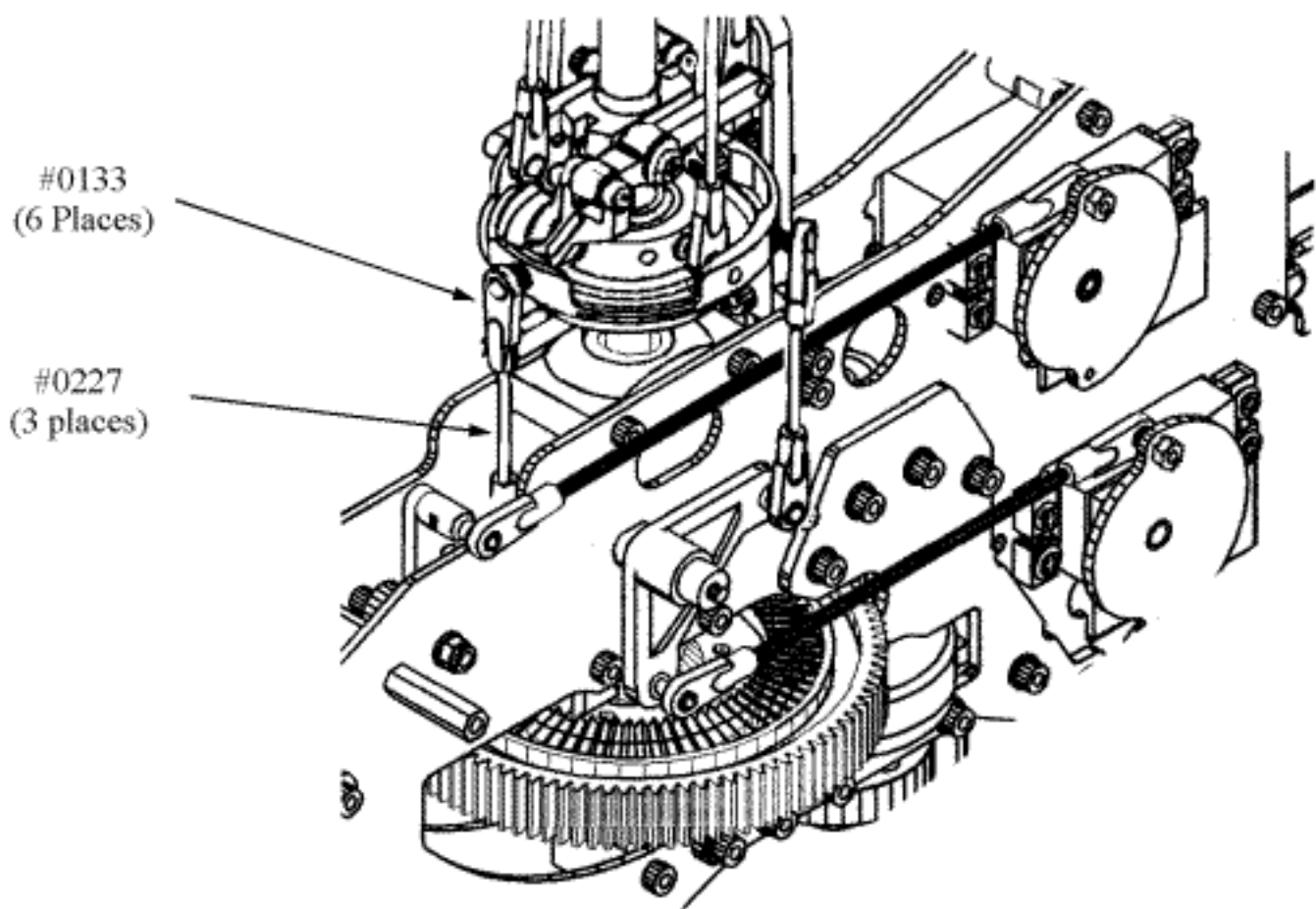


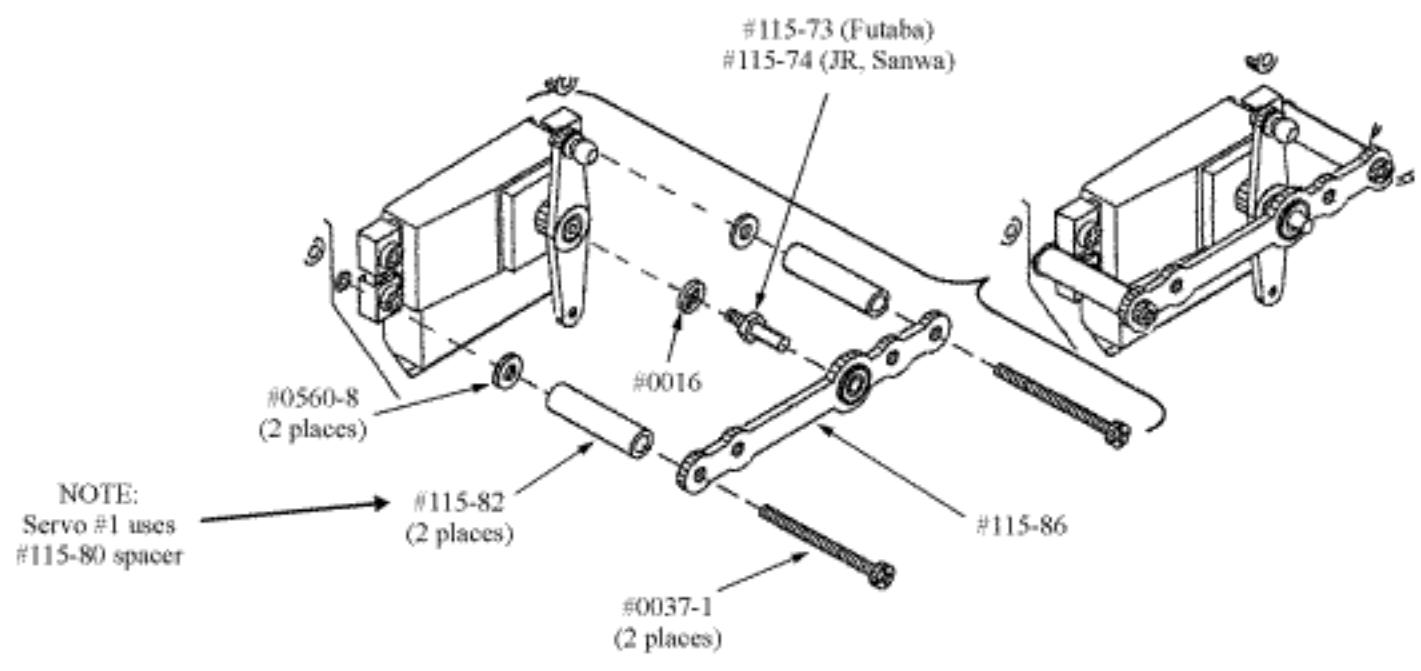
Drawing #12G

Note:
Make 2 of each
Control Rod
Assembly

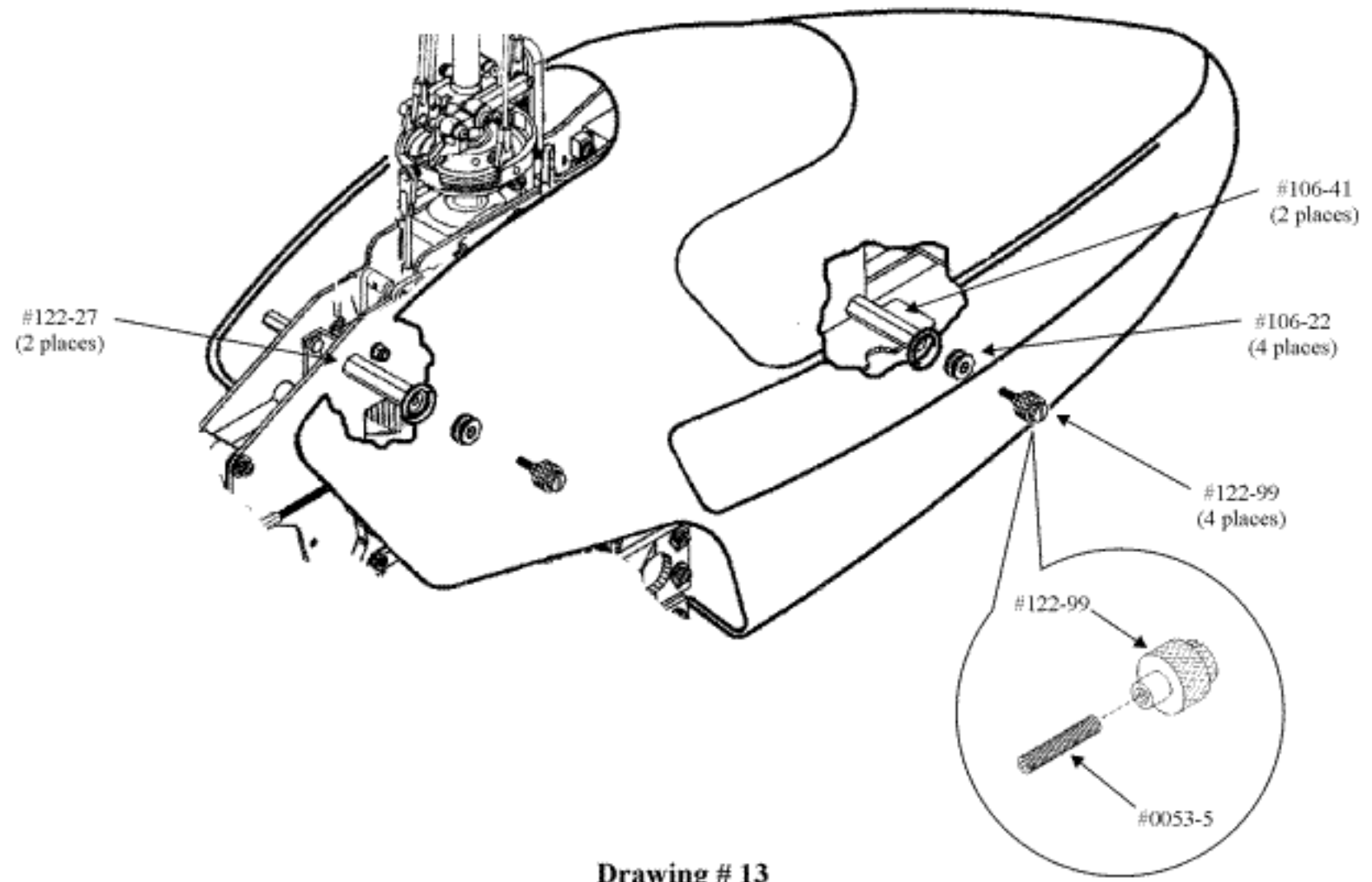


Note:
Make 3 of each
Swashplate Control
Rod Assembly

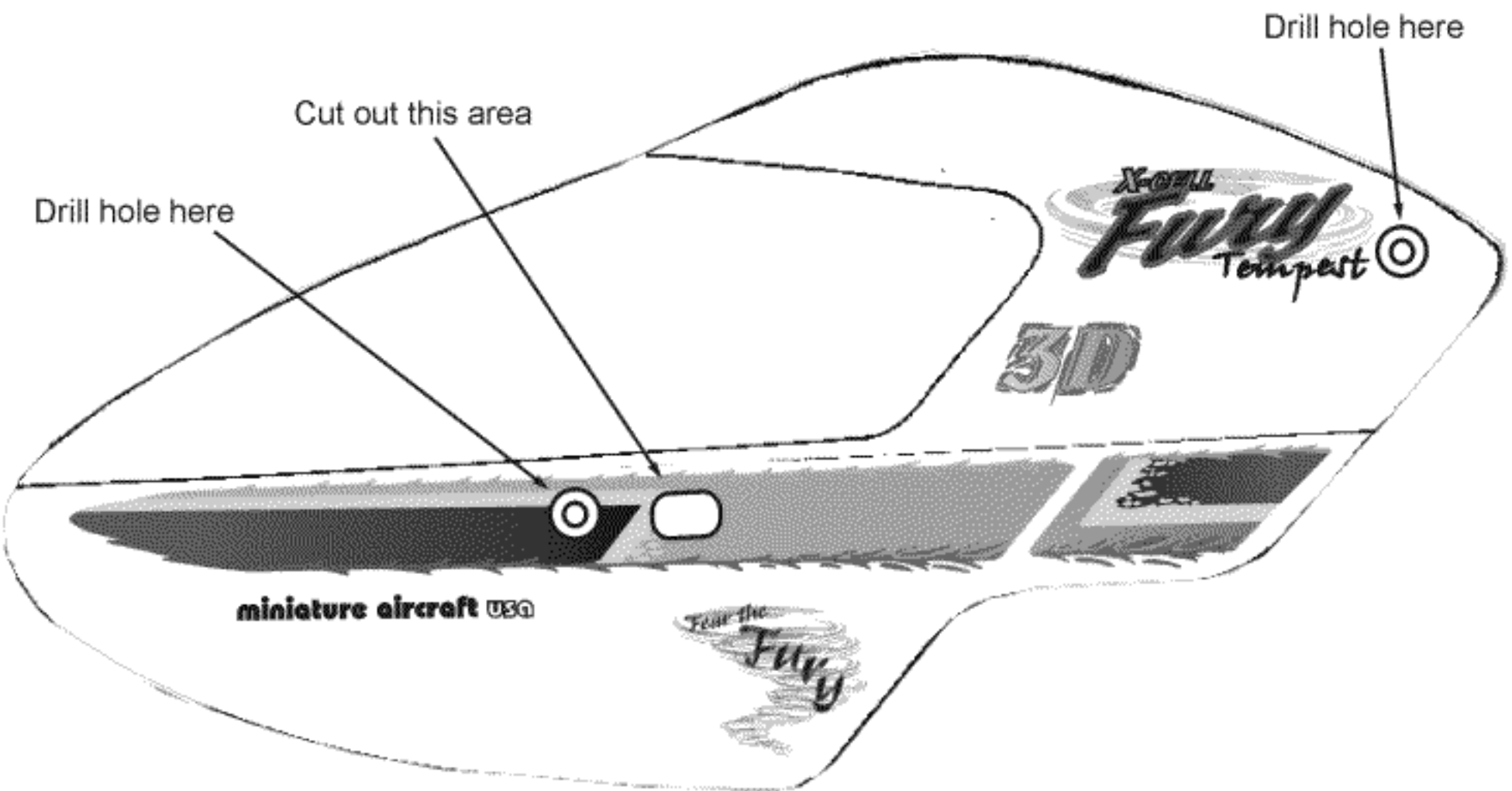
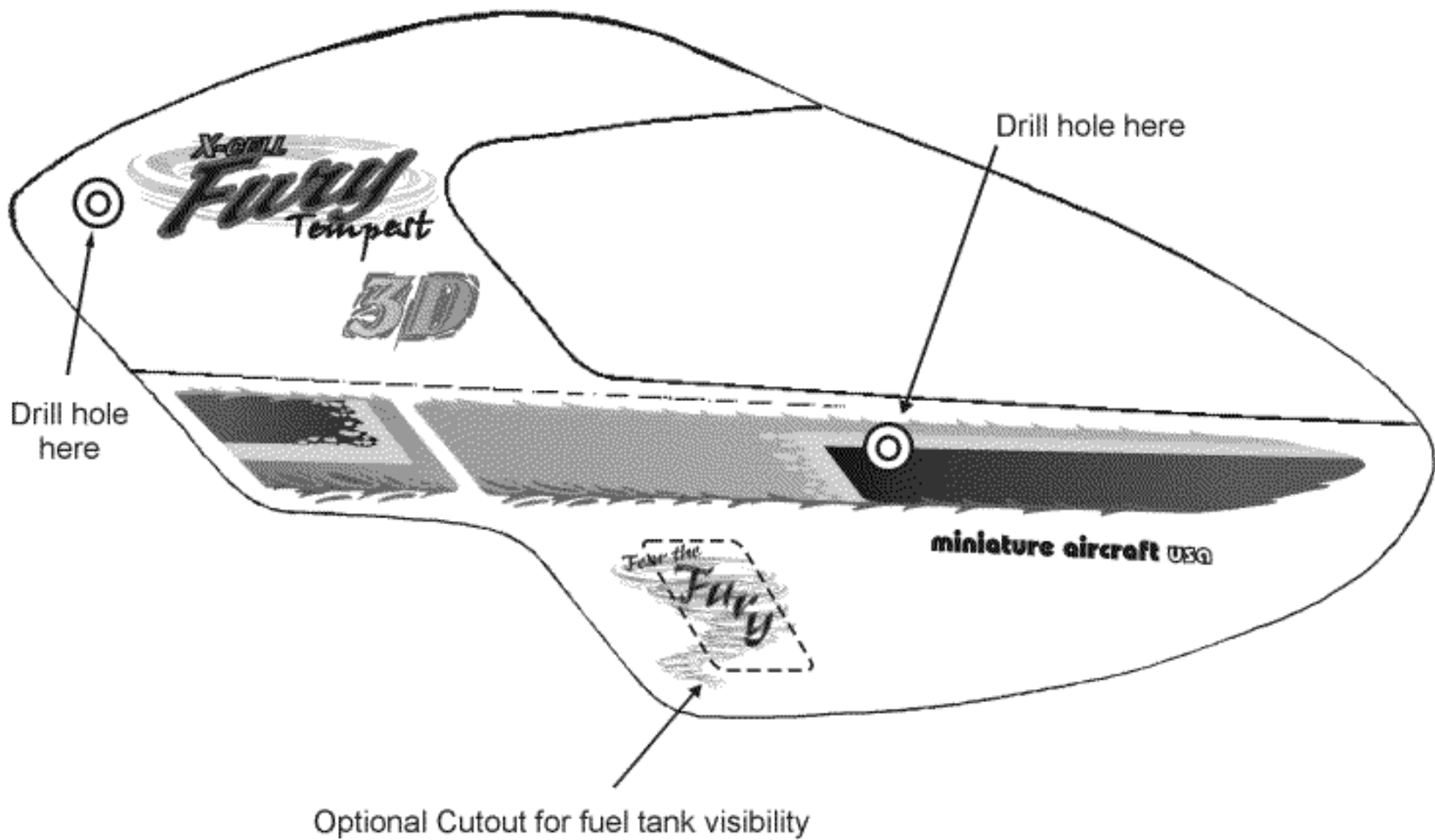




Drawing #12I



Drawing # 13



miniature aircraft USA

