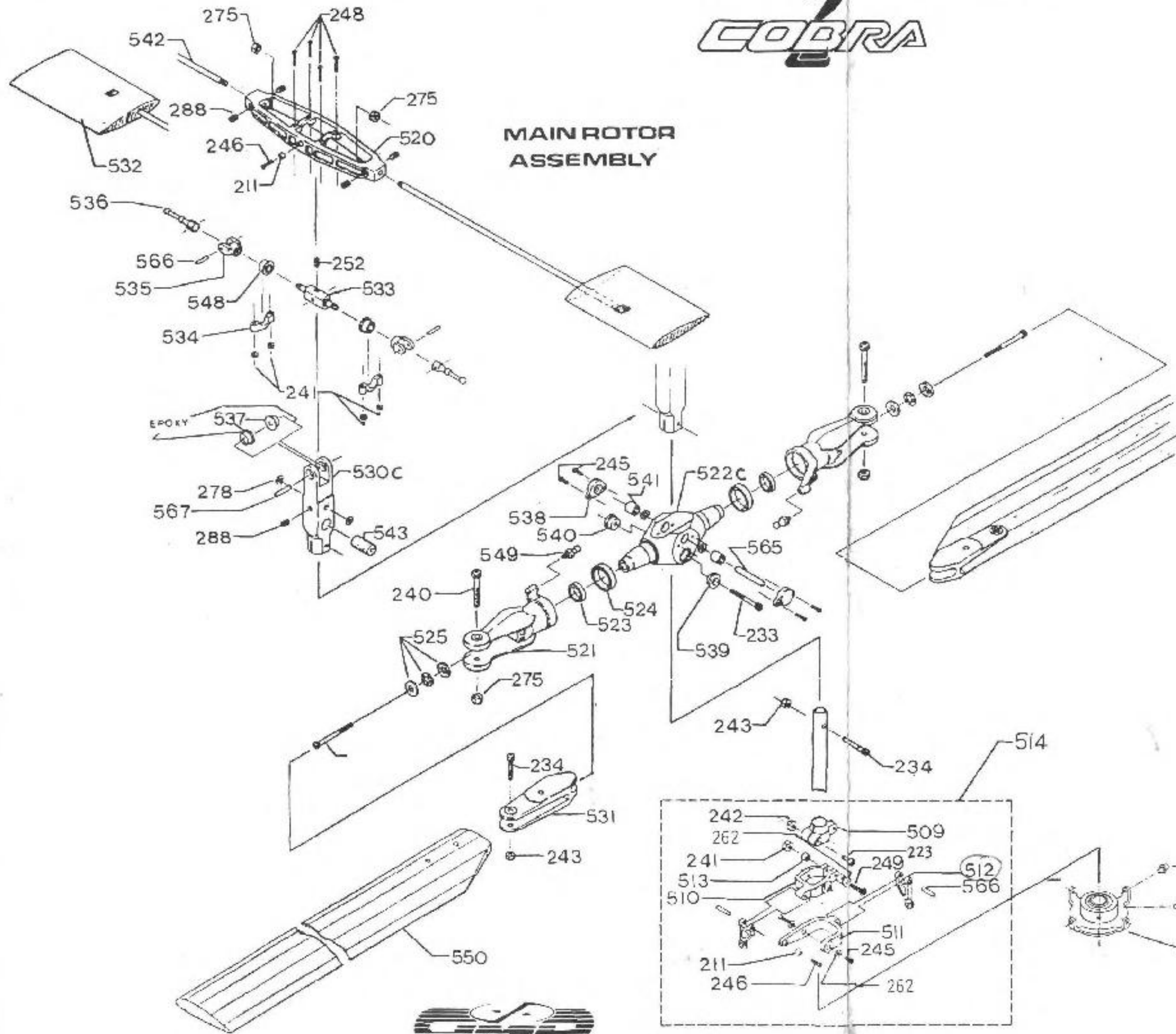
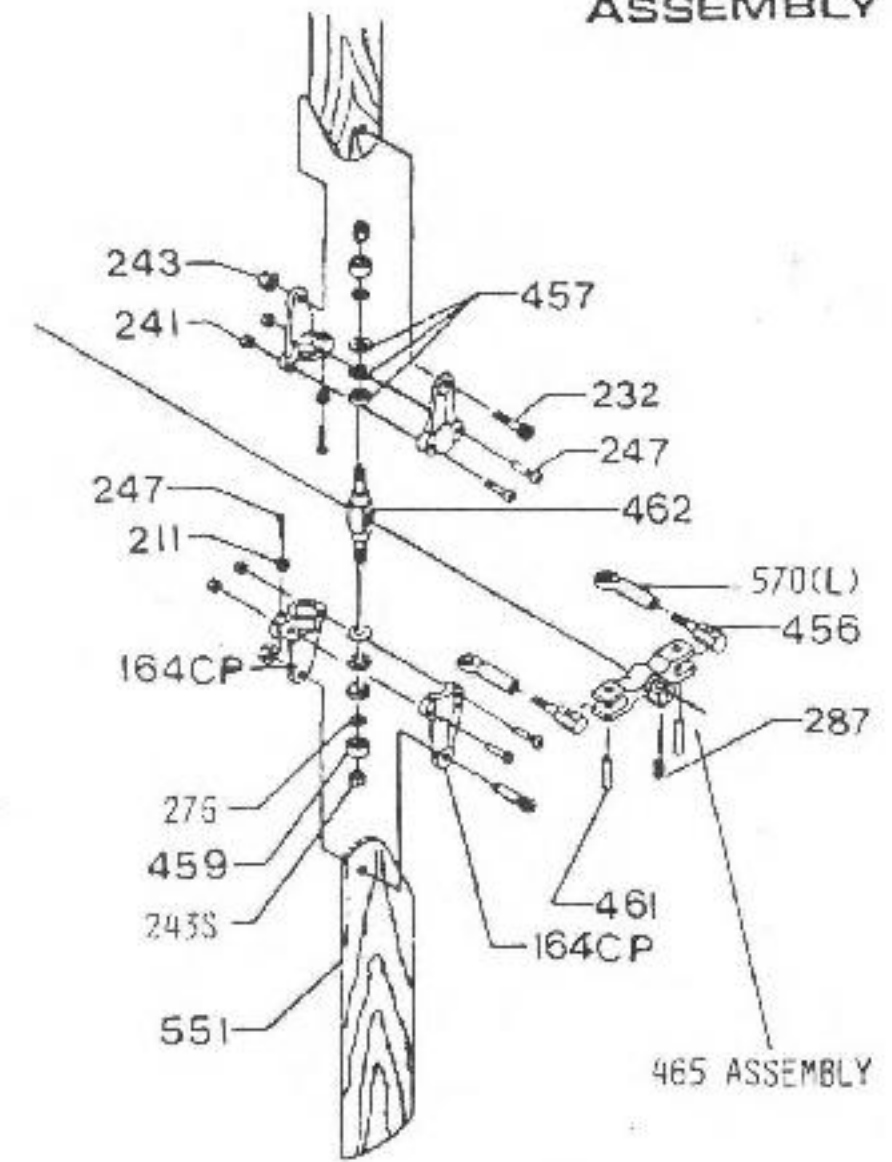


# COBRA

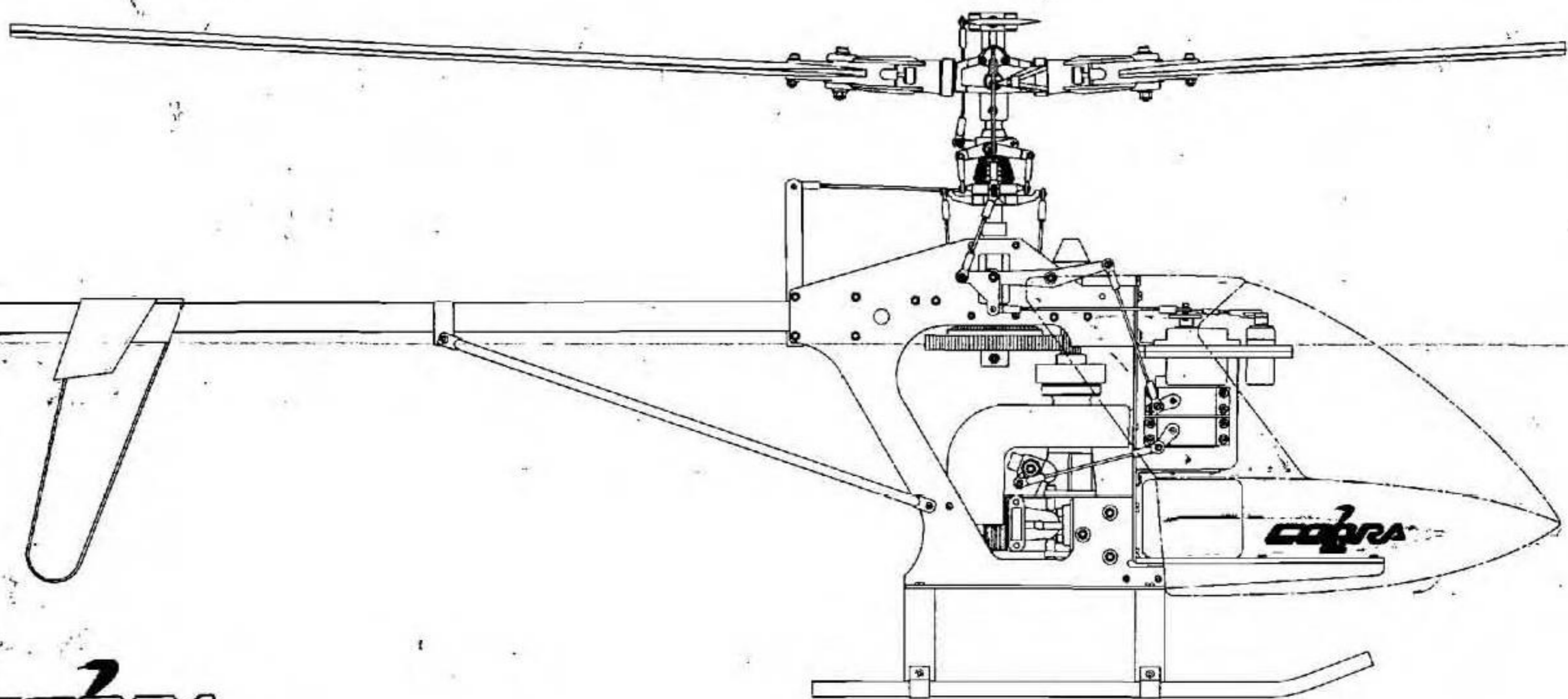
## MAIN ROTOR ASSEMBLY



## TAIL ROTOR ASSEMBLY



2 sets  
 512 radusar  
 415a main sh  
 561 decals  
 542 flybars  
 550 main rote



494-  
2874

**CMP** **COBRA**

Specification  
ENGINE: 40-50  
BLADE LENGTH: 48 inches  
LENGTH: 44 inches  
WEIGHT: 7 lbs.  
RADIO: 4 to 5 channels  
CLASS: SPORT

**CMP**  
18001 CRAFTSMAN RD  
CALABAS, CA 91301

# GMP COBRA

R/C AEROBATIC HELICOPTER

## TECHNICAL SPECIFICATION

MAIN ROTOR SPAN	48 INCHES	49
TAIL ROTOR SPAN	10 1/4 INCHES	10
OVERALL LENGTH	64 1/2 INCHES	
CONSTRUCTION	ALUMINUM & STEEL	
WEIGHT (EMPTY)	7 1/2 POUNDS	8 1/2
READY TO FLY	40 50 CU IN	61
ENGINE SIZE		
MULTI-SERVO OPERATION		
FOR ELECTRONIC MIXING	STANDARD	
ALL BALL BEARING MAIN & TAIL ROTOR ASSEMBLIES	STANDARD	
COLLECTIVE PITCH AND ROLL/FILLER MIXING	STANDARD	
RADIO INSTALLATION	4 OR 5 CHANNELS	5 SERVOS

