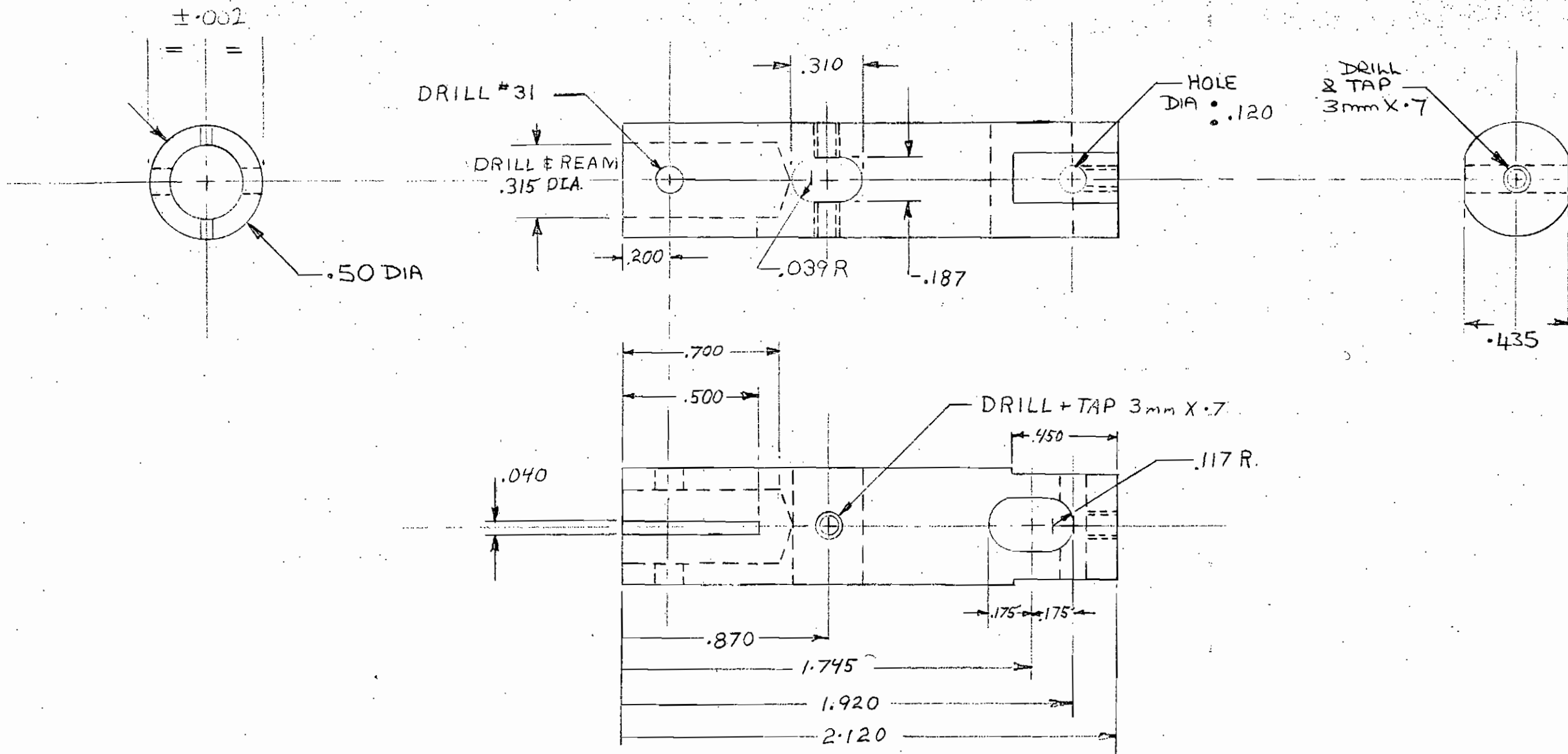


ISSUE 2

TOLERANCES XX ±.005		
BREAK ALL CORNERS AND SHARP EDGES.		
SCALE: 2:1	APPROVED BY:	DRAWN BY: JG
DATE: 4/15/90		REVISED: 8-28-90
MATERIAL 7075		
DIMENSIONS INS		
BLADE HOLDER MINI ELITE ROTOR HEAD		DRAWING NUMBER: GMP-388



ISSUE 2

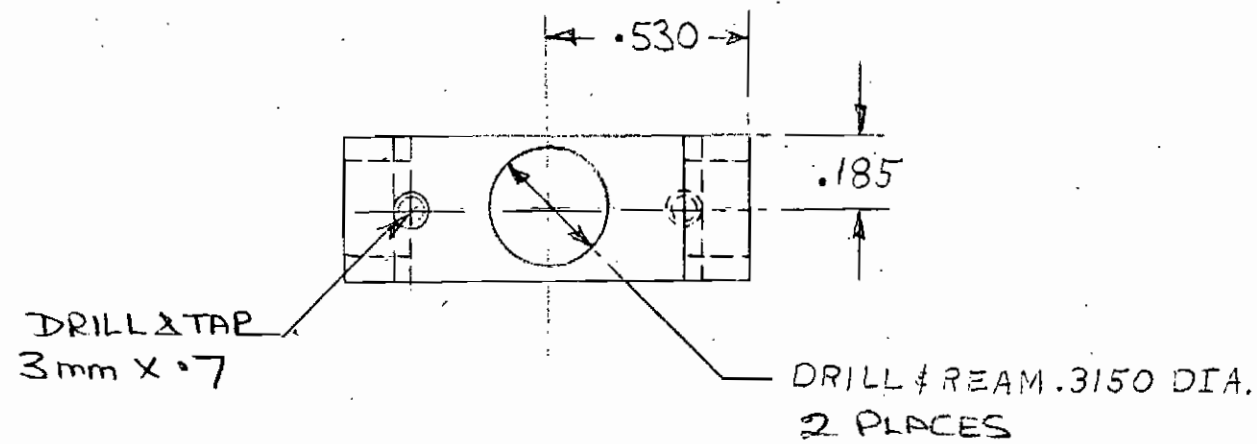
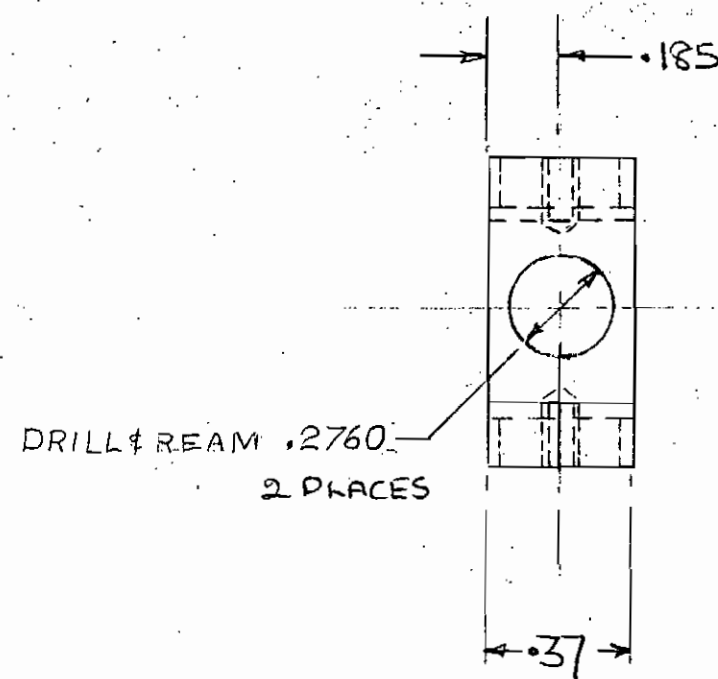
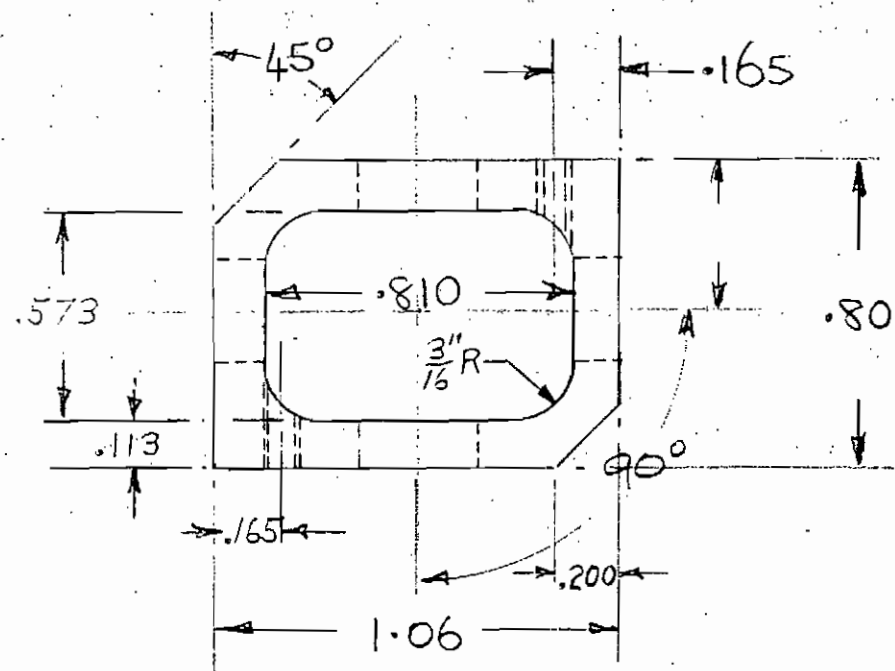
TOLERANCES UNLESS OTHERWISE SPECIFIED
 XXX = ±.005 XX = .010

SCALE: 2:1	APPROVED BY:	DRAWN BY: DD
DATE: 4/20/90		REVISED: 8-28-90

MATERIAL: 6061 T6

MAIN ROTOR HUB - MINI-ELITE	DRAWING NUMBER GMP-389
-----------------------------	---------------------------

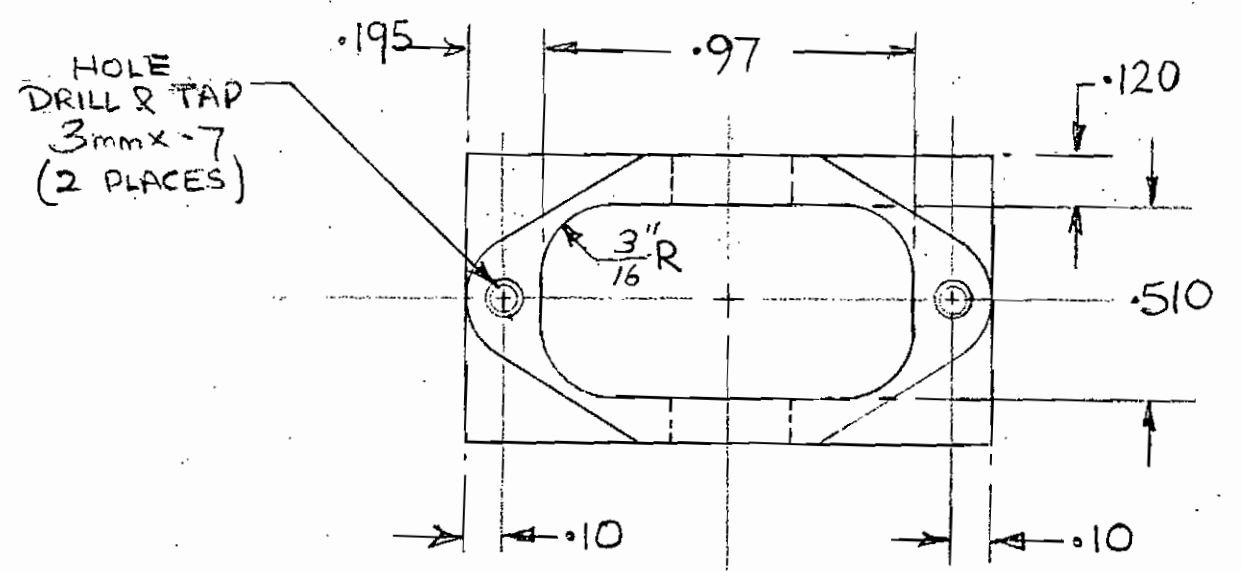
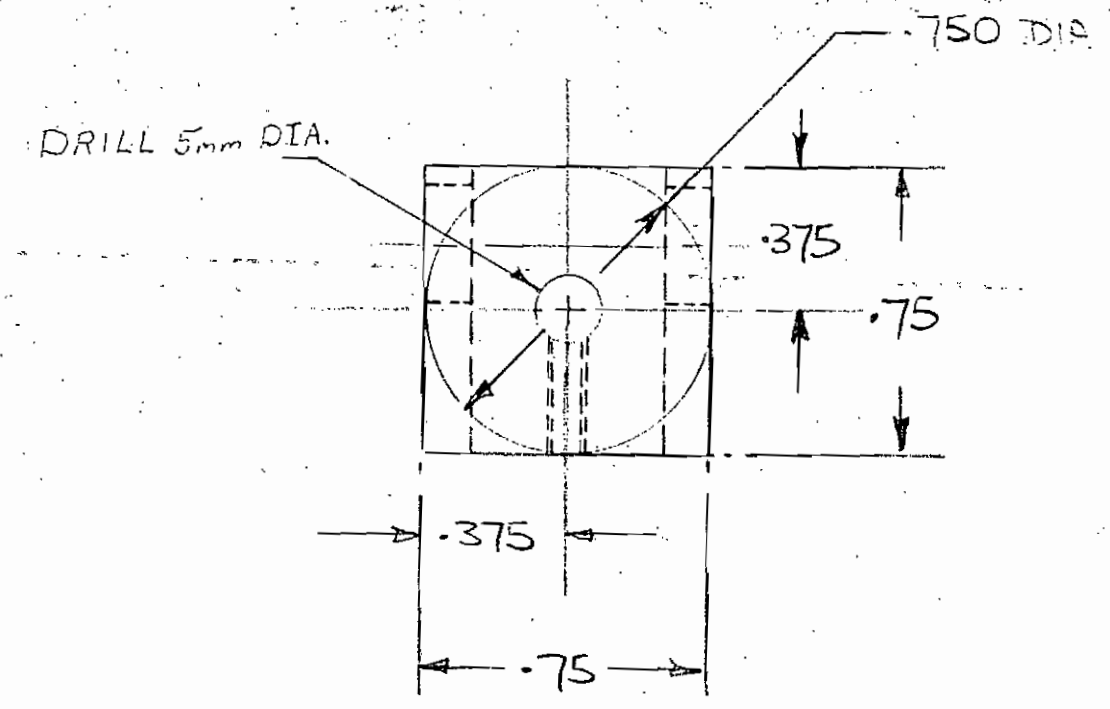
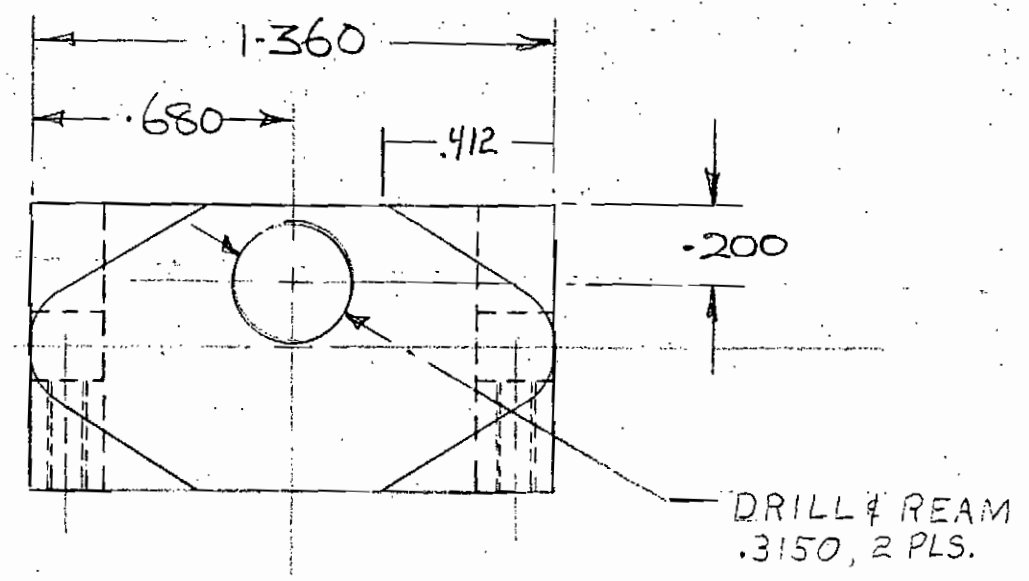
BREAK ALL CORNERS & SHARP EDGES.



ISSUE 2

TOLERANCES XX = .005 XXX = .002		
SCALE: 2:1	APPROVED BY:	DRAWN BY: D.D
DATE: 4/20/90		REVISED: 8-28-90
MATERIAL: 6061 T6		
SEESAW MINI-ELITE ROTOR HEAD		DRAWING NUMBER GMP-390

BREAK ALL CORNERS & SHARP EDGES.



BREAK ALL CORNERS & SHARP EDGES.

TOLERANCES XX = XXX =		
BREAK CORNERS & SHARP EDGES		
SCALE: 2:1	APPROVED BY:	DRAWN BY: <i>JD</i>
DATE: 4/15/90		REVISED: 5/9/90
MATERIAL: 6061 T6		
YOKE MINI-ELITE ROTOR HEAD		DRAWING NUMBER GMP-391