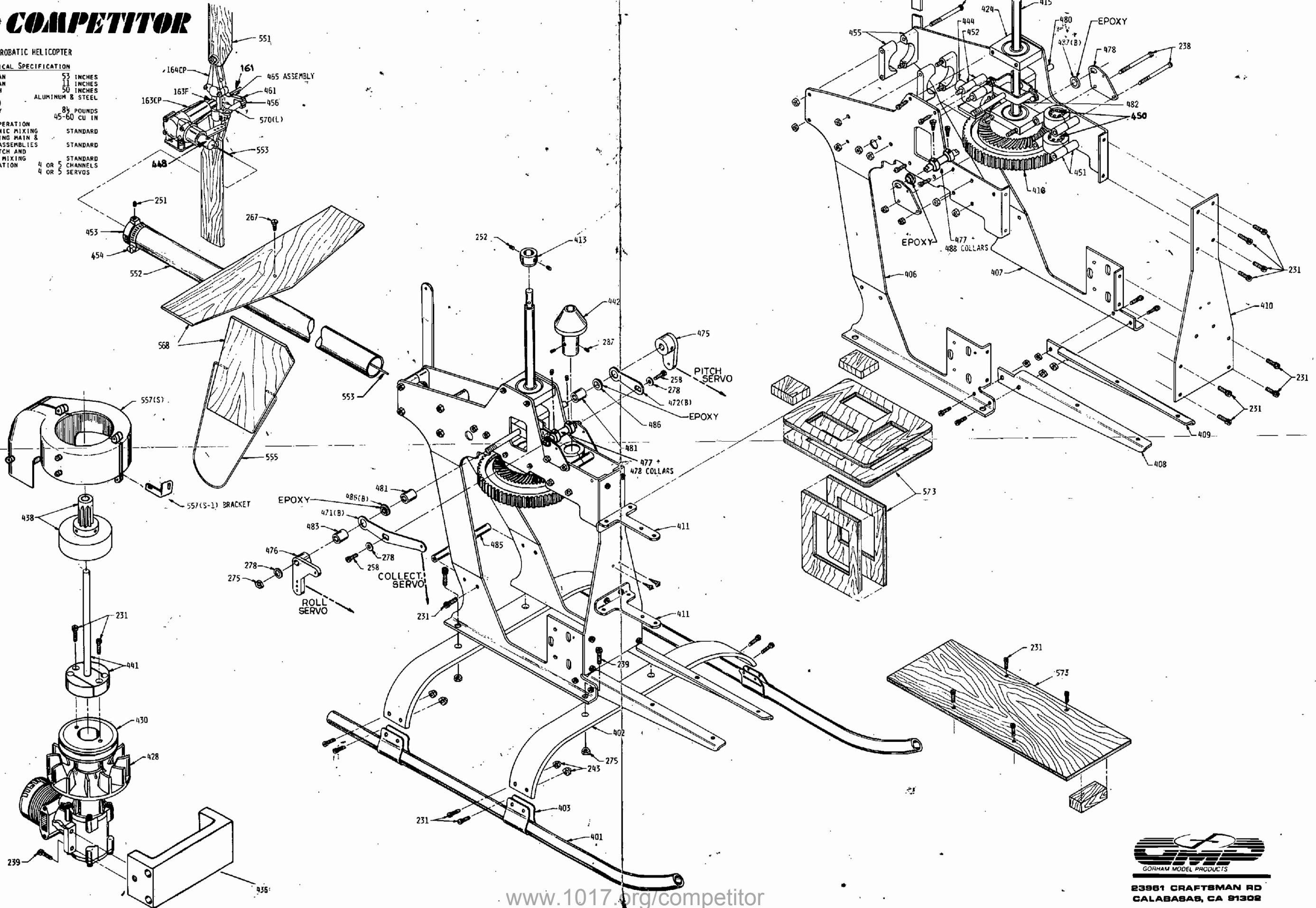


COMPETITOR

R/C AEROBATIC HELICOPTER

TECHNICAL SPECIFICATION

MAIN ROTOR SPAN	53 INCHES
TAIL ROTOR SPAN	11 INCHES
OVERALL LENGTH	50 INCHES
CONSTRUCTION	ALUMINUM & STEEL
WEIGHT (EMPTY)	8 1/2 POUNDS
READY TO FLY	45-60 CU IN
ENGINE SIZE	STANDARD
MULTI-SERVO OPERATION FOR ELECTRONIC MIXING	STANDARD
ALL BALL BEARING MAIN & TAIL ROTOR ASSEMBLIES	STANDARD
COLLECTIVE PITCH AND BELL/HILLER MIXING	STANDARD CHANNELS
RADIO INSTALLATION	4 OR 5 CHANNELS 4 OR 5 SERVOS

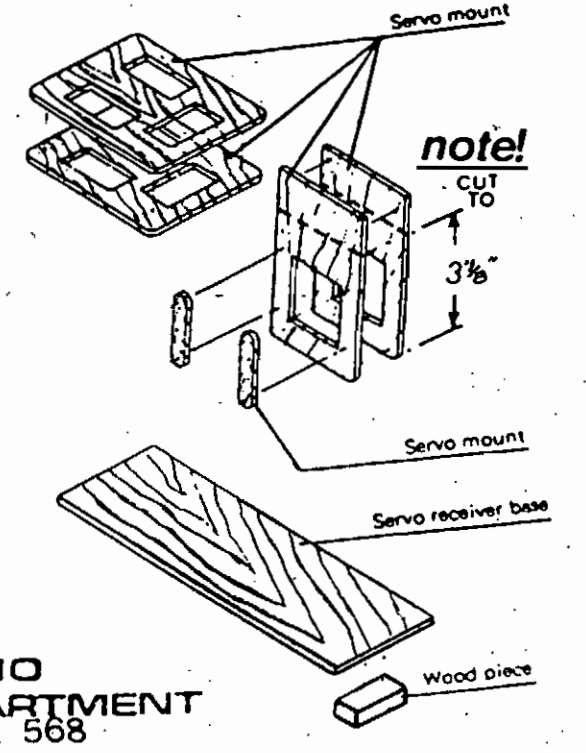
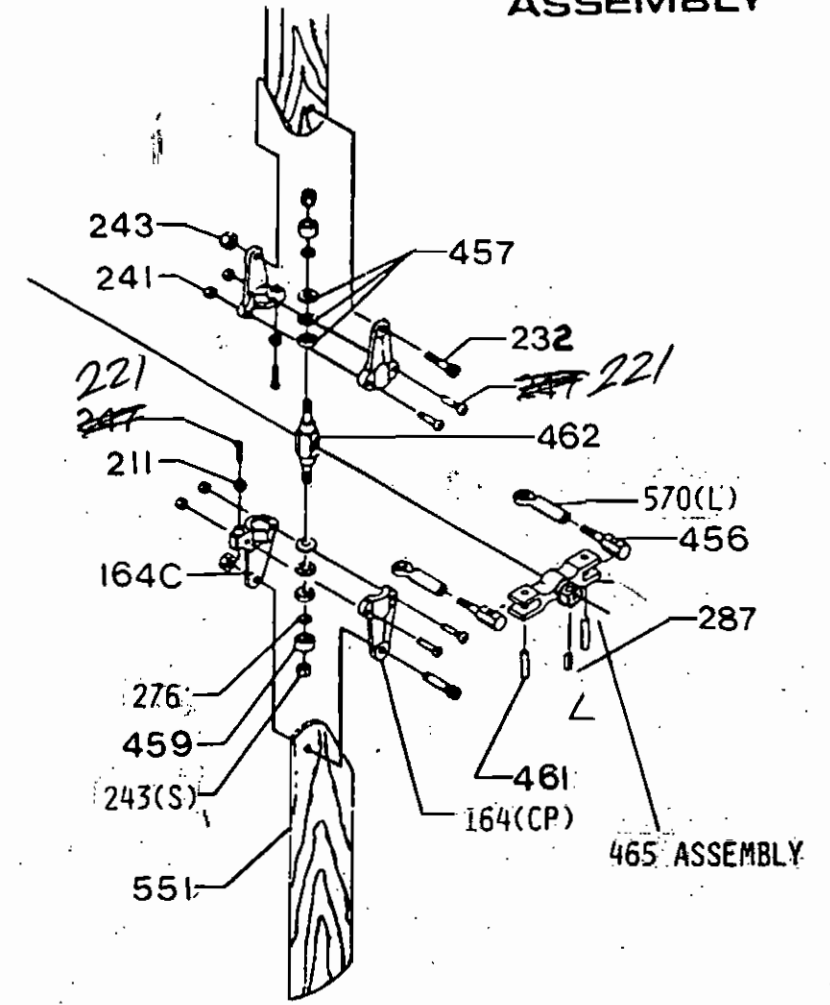
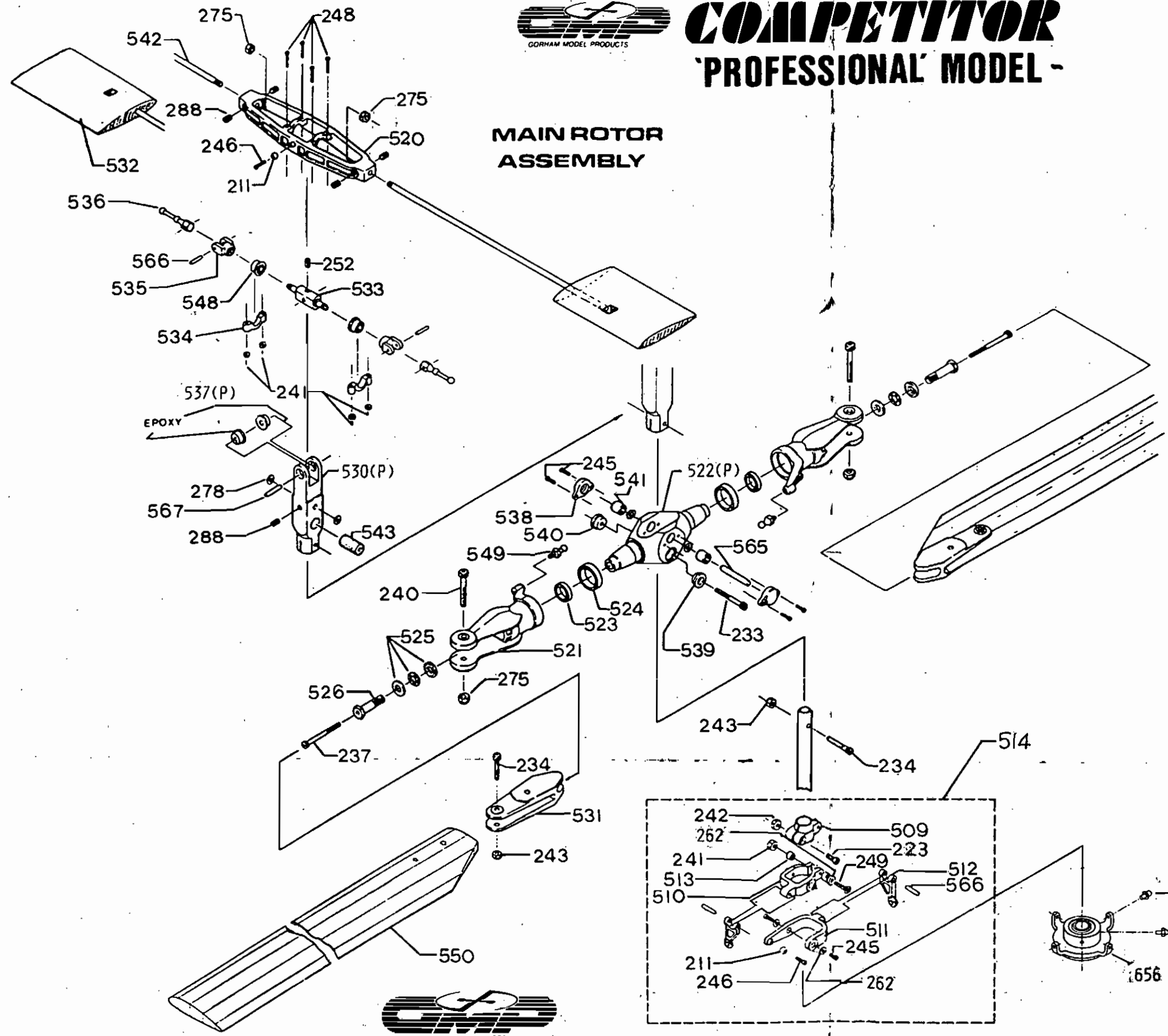




COMPETITOR 'PROFESSIONAL' MODEL -

TAIL ROTOR ASSEMBLY

MAIN ROTOR ASSEMBLY



RADIO COMPARTMENT NO. 568





COMPETITOR

PARTS PRICE LIST

PART #	DESCRIPTION	PK	RETAIL
161	ROD-TAIL GEARBOX CONTROL	1	1.25
162	LEVER-TAIL GRBX CONTROL	1	1.45
163A	SHAFT ASSM-INPUT DRIVE	1	29.95
163B	SHAFT ASSM-OUTPUT DRIVE	1	29.95
163CP	TAIL ROTOR GEARBOX COMPLETE	1	69.50
163D	BEARING-SMALL INNER	1	5.50
163E	BEARING-LARGE INNER	1	6.50
163F	SPACER-OUTPUT SHAFT	1	0.75
164CP	HOLDER-TAIL BLADE	4	5.50
166	HOUSING-TAIL GEARBOX	1	11.25
167CP	PLATE-PITCH CONTROL	1	1.95
211	BALL-5MM STEEL	9	3.75
219	ROD-CONTROL-2x70MM	1	0.95
221	SCREW-PAN HEAD-2x10MM	10	1.50
223	SCREW-PAN HEAD-3x10MM	10	1.25
224	SCREW-PAN HEAD-3x12MM	10	1.25
229	ROD-CONTROL-2x90MM	2	1.95
231	SCREW-SOCKET HEAD-3x10MM	2	0.85
232	SCREW-SOCKET HEAD-3x16MM	2	0.85
233	SCREW-SOCKET HEAD-3x25MM	2	1.25
234	SCREW-SOCKET HEAD-3x20MM	2	1.25
237	SCREW-SOCKET HEAD-3x35MM	10	3.95
238	SCREW-SOCKET HEAD-3x40MM	2	1.35
239	SCREW-SOCKET HEAD-4x15MM	10	3.85
240	SCREW-SOCKET HEAD-4x30MM	2	1.25
241	NUT-HEX-2MM	10	1.35
242	NUT-HEX-3MM	5	1.25
243	NUT-LOCK-3MM	10	2.50
245	SCREW-PAN HEAD-2x6MM	10	1.65
246	SCREW-PAN HEAD-2x8MM	10	1.65
248	SCREW-PAN HEAD-2x14MM	5	1.10
249	SCREW-PAN HEAD-2x16MM	5	1.10
251	SCREW-SOCKET HEAD SET-3x5MM	2	1.00
252	SCREW-SOCKET HEAD SET-4x4MM	2	1.00
262	WASHER-FLAT-2MM	10	1.00
267	SCREW-P.K.-4x1/4"	5	0.95
268	SCREW-P.K.-4x1/2"	10	1.65
269	SCREW-SOCKET HEAD-2x12MM	2	1.65
270	SCREW-SOCKET HEAD-2.6x8MM	2	1.65
274	SCREW-SOCKET HEAD-4x10MM	10	4.25
275	NUT-LOCK-4MM	10	3.50
276	WASHER-FLAT-3MM	10	0.85
278	WASHER-FLAT-4x8x.5MM	10	1.00
279CP	HARDWARE SET	1	32.50
282	ALLEN KEY-2MM	1	0.85
283	ALLEN KEY-2.5MM	1	0.85
286S	ALLEN KEY SET	1	3.00
287	SCREW-SOCKET HEAD SET-3x3MM	5	1.93
288	SCREW-SOCKET HEAD SET-4x6MM	2	1.25
289	ALLEN KEY-1.5MM	1	0.85
290	ALLEN KEY-3MM	1	0.85
401	SKID-LANDING	2	10.50
402	STRUT-LANDING	2	14.95
403	CLAMP-LANDING SKID	4	5.50
405	STAY-RADIUS ARM	1	1.95
406	MAIN FRAME-RIGHT	1	19.95
407	MAIN FRAME-LEFT	1	19.95
408	SEE PART #808NB		
409	SEE PART #809NB		
410	PLATE-FRONT FRAME	1	8.75
411	STAY-SERVO MOUNT	1	2.50
413	COLLAR-MAIN SHAFT	1	3.50
414	GEAR-MAIN ASSEMBLY-AUTO	1	69.95
415	SHAFT-MAIN	1	10.95
415A	SHAFT-MAIN-AUTO	1	10.95
416	GEAR-MAIN	1	8.75
416A	GEAR-MAIN-AUTO	1	12.50
417	HUB-GEAR-AUTO	1	26.50
418	HUB-DRIVE-AUTO	1	32.00
419	BEARING-BALL-FCB12	1	39.50
420	SCREW-FLAT HEAD-3x10MM	4	0.65
421	CLIP-RETAINING	2	1.95
423	MOUNTING SET-40/50	1	19.50

PART #	DESCRIPTION	PK	RETAIL
424	BEARING BLOCK ASSEMBLY	1	19.50
425	BEARING BLOCK-MAIN SHAFT	1	7.50
426	BEARING-MAIN SHAFT-6900ZZ	1	9.95
427	COLLAR-10x15x3.5MM	1	1.50
428	COOLING FAN SET	1	12.50
429A	TAPERED COLLET "A"	1	3.00
429B	TAPERED COLLET "B"	1	3.00
430	FLYWHEEL	1	12.50
434	SHAFT-GEAR-STEEL	1	6.25
435	BEARING-BALL-8MM-LF1060Z	1	12.50
436	MOUNTING SET-60/61	1	15.95
437	CLUTCH LINING	1	1.25
438	CLUTCH BELL COMPLETE	1	49.50
439	CLUTCH SHAFT	1	4.50
440	CLUTCH PLATE	1	15.00
441	CLUTCH ASSEMBLY	1	19.25
442	STARTER CONE	1	4.95
443	CLUTCH BELL	1	15.50
444	GEAR DRIVE ASSEMBLY-TL RTR	1	29.50
445	SHAFT-BEVEL PINION	1	9.75
446	GEAR-BEVEL PINION	1	13.95
447	BEARING-BALL-605ZZ	1	5.25
448	COUPLER "A"-DRIVE	1	5.45
450	BEARING-BALL-606ZZ	1	7.65
451	HOLDER-BALL BEARING-606	2	2.95
452	HOLDER-BALL BEARING-605	2	2.95
453	MOUNT-TAIL GEAR BOX	1	4.95
454	CLAMP-TAIL GEAR BOX	1	2.15
455	MOUNT-TAIL BOOM	4	3.50
456	HINGE-TAIL PITCH	2	3.50
457	BEARING-BALL-CRT 4-9	1	12.50
458	BEARING-BALL-LF6300P	1	9.50
459	BEARING-BALL-SS-39	1	9.50
460	COLLAR-BRASS-3x5MM	1	3.95
461	PIN-NEEDLE-2x8.8MM	2	1.60
462	HUB-TAIL ROTOR	1	6.95
464	STOPPER-TAIL PITCH PLATE	1	2.15
465	PITCH PLATE SET-TAIL	1	19.95
471B	LEVER "AB"-COLLECTIVE PITCH	1	1.85
472B	LEVER "BB"-COLLECTIVE PITCH	1	1.85
475	LEVER-PITCH TORQUE	1	5.50
476	LEVER-ROLL	1	1.60
477	SHAFT-COLLECTIVE LEVER	1	3.95
478B	PLATE-COLLECTIVE LEVER-"B"	2	3.50
479	SHAFT-PITCH-"A"	1	2.95
480	SHAFT-PITCH-"B"	1	2.95
481	COLLAR-PITCH-BRASS	2	2.75
482	LEVER-PITCH	2	4.95
483	SPACER-ALUMINUM	1	1.75
485	PILLAR-MAIN FRAME	1	2.95

PART #	DESCRIPTION	PK	RETAIL
486B	BEARING-BALL-6MM-LF740	1	10.95
487B	BEARING-BALL-8MM-LF1060Z	1	12.50
488	COLLAR-COLLECTIVE PITCH	2	2.75
509	MAST LOCK	1	3.95
510	ARM-PIVOT	1	1.00
511	ARM-CONTROL	1	1.00
512	ARM-RADIUS	2	2.20
513	COLLAR-BRASS-2x3x3.1MM	2	1.25
514	WASHOUT SET-COMPLETE	1	29.50
519P	HOLDER-YOKE-BLADE ASSEMBLY	1	145.00
520	SEESAW-BLACK	1	9.85
521	HOLDER-MAIN BLADE-BLACK	1	12.95
522P	YOKE-MACHINED	1	62.50
522PNB	YOKE-MACHINED	1	65.00
523	BEARING-BALL-1-15	1	12.50
524	BEARING-BALL-15-20	1	12.50
525	BEARING-BALL-CRT 6-12	1	7.50
526	BOLT-THRUST ADJUST	2	6.95
530P	HUB-MACHINED ROTOR	1	27.50
531	BLADE END	2	3.95
532	PADDLES-PLASTIC	2	6.50
533	ARM-SEESAW PIVOT	1	7.95
534	HOLDER-SEESAW BEARING	2	6.50
535	HOLDER-MIXING ARM	2	3.05
536	ARM-MIXING-50	2	4.95
537P	BEARING-GIMBAL SHAFT	1	10.95
538	CAP-YOKE-DUST	2	1.25
539	COLLAR-YOKE DAMPER-"A"	1	2.25
540	COLLAR-YOKE DAMPER-"B"	1	2.25
541	BEARING-BALL-HK0408	1	8.95
542	FLYBAR-"B"-200MM	2	9.50
543	RUBBER DAMPER	1	0.65
545	BOLT-PIVOT-"D"	4	5.95
546	BOLT-PIVOT-"E"	4	5.95
547	BLADE COVERING	2	2.50
548	BEARING-BALL-LF940	1	10.95
549	BOLT-PIVOT-"A"	2	2.50
550	ROTOR BLADE-MAIN	2	19.50
551	ROTOR BLADE-TAIL	2	4.50
552	TAIL BOOM	1	10.00
553	WIRE-TAIL DRIVE-29"	1	0.95
554	TUBE-TAIL DRIVE-30x600MM	1	1.95
555	WIRE-SKID	1	0.50
556	WIRE-TAIL ROTOR CONTROL-38"	1	0.85
557S	COOLING FAN SHROUD-SPLIT	1	12.50
557S1	BACKET-PAN SHROUD-SPLIT	1	1.95
558	TUBE-TAIL ROTOR CONTROL	1	2.50
559	FUEL TANK-300CC	1	4.95
559L	FUEL TANK-400CC	1	6.95
560	CANOPY SET	1	15.00

PART #	DESCRIPTION	PK	RETAIL
561	DECALS	2	1.85
563	INSTRUCTION MANUAL	1	12.50
565	PIN-NEEDLE-4x29.5MM	1	1.25
566	PIN-NEEDLE-2x11.8MM	2	2.15
567	PIN-NEEDLE-3x15.8MM	1	1.25
568	STABILIZER UNIT	1	13.95
570L	BALL JOINT-SUPER-W/O BALL	10	4.75
571	ROD-CONTROL-2x16MM	2	2.25
572	RUBBER GROMMET	3	0.65
573	PLYWOOD-FRONT CABIN	1	13.50
574	ROD-CONTROL-2x55MM	3	2.95
576	ROD-CONTROL-2x100MM	2	2.50
577	ROD-CONTROL-2x110MM	2	2.50
578	ROD-CONTROL-2x120MM	2	2.50
579	ROD END-CONTROL	2	2.95
580	CLIP-CONTROL TUBE	1	0.70
581	CLEVIS-ROD ADJUSTER	2	2.75
582	STRUT KIT-TAIL BOOM	1	8.95
582NB	STRUT KIT-TAIL BOOM	1	10.50
583	CLIP-TAIL BOOM	1	1.05
583NB	CLIP-TAIL BOOM	1	1.20
585	AUTOROTATION KIT	1	74.50
586	STRUT-TAIL BOOM	2	6.50
586NB	STRUT-TAIL BOOM	2	7.50
587	ROD SET-CONTROL	1	14.50
656	SWASHPLATE-SUPER IN LINE	1	47.50
808NB	STAY-FRONT RIGHT	1	6.30
809NB	STAY-FRONT LEFT	1	6.30

OPTIONAL EXTRAS:

532S	PADDLES-PLASTIC-THICKR SECTN	2	6.50
609	PITCH PLATE SET-TL-BALL BRNG	1	26.95
615	GEAR-TRAINING LANDING	1	18.95
615S	BEGINNER'S PACKAGE-LRG	1	49.95
616	DECAL SHEET	1	3.85
617	INTERIOR	1	5.95
618	SIDE PANEL	2	22.50
624	SHOCK DAMPERS-LANDING GEAR	4	12.00
625	CAP-SKID	2	2.95
626	SEESAW ASSEMBLY-GIMBAL-SST	1	89.95
630	VIDEO TAPE-NPSC-VHS	1	39.95
632	HOLDER-ROTOR BLADE-MAIN-NEW	1	7.95
657	ARM UNIT-RADIUS-SUPER K	1	59.95
658	BOLT-SUPER RADIUS PIVOT	1	2.50
659	WASHOUT UNIT-BALL BEARING	1	69.95
660	LEVER-"I"-DUAL BALL BEARING	1	19.50
661	LEVER-"L"-DUAL BALL BEARING	1	19.50
662	LANDING GEAR KIT-TUBLAR DLUX	1	42.50
664	SHAFT-TAIL DRIVE	1	2.50
670CP	FLYBAR WEIGHTS	2	6.50
671K	GYRO-GMP RATE	1	79.50
675BLK	HEAT SHRINK-.9x62-BLK-MAIN	1	2.25
676R	HEAT SHRINK-.9x62-RED-MAIN	1	2.25
676W	HEAT SHRINK-.9x62-WHITE-MAIN	1	2.25
677BLK	HEAT SHRINK-.9x36-BLK-TAIL	1	1.00
677R	HEAT SHRINK-.9x36-RED-TAIL	1	1.00
677W	HEAT SHRINK-.9x36-WHITE-TAIL	1	1.00
686	HARDWARE SET-SUPER METRIC	1	45.00
719	BLADE END-WOOD	1	6.95
800JR	FIGURE KIT-JET RANGER (GMP)	1	199.00
800JRL	FIGURE KIT-JR W/ SCL LNDG GEAR	1	239.00

PRICES SUBJECT TO CHANGE WITHOUT NOTICE

 NB = ANODIZED BLACK
 NG = ANODIZED GOLD

Quantities per pack
 01-Apr-88 NOT per kit.



GMP COMPETITOR

R/C AEROBATIC HELICOPTER

TECHNICAL SPECIFICATION

MAIN ROTOR SPAN	53 INCHES
TAIL ROTOR SPAN	30 INCHES
OVERALL LENGTH	50 INCHES
CONSTRUCTION	ALUMINUM & STEEL
WEIGHT (EMPTY)	85 POUNDS
READY TO FLY	45-50 CU IN
ENGINE SIZE	STANDARD
MULTI-SERVO OPERATION	FOR ELECTRONIC MIXING
ALL BALL BEARING MAIN & TAIL ROTOR ASSEMBLIES	STANDARD
COLLECTIVE PITCH AND BELL/MILLER MIXING	STANDARD
RADIO INSTALLATION	4 OR 5 CHANNELS
	4 OR 5 SERVO

