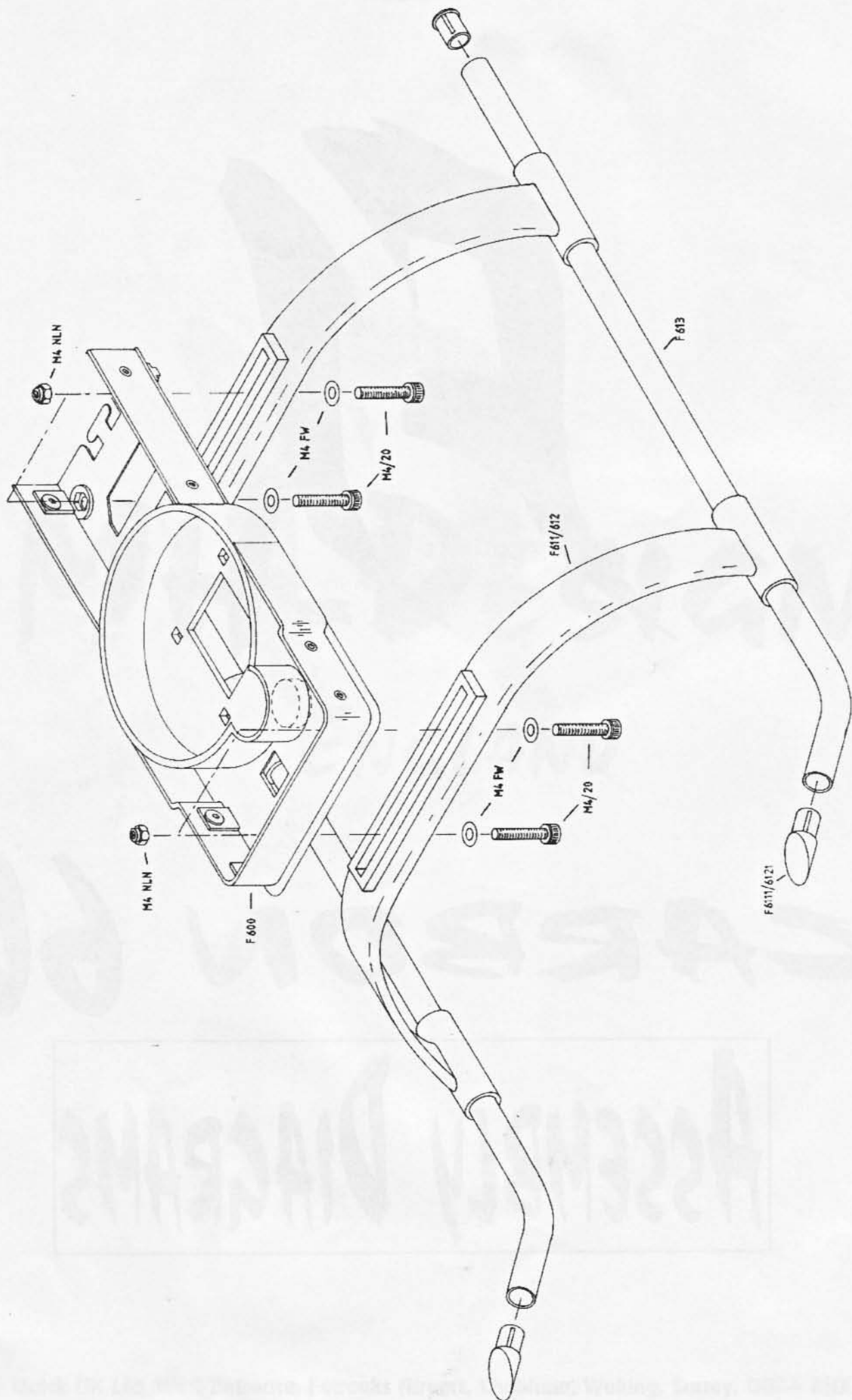
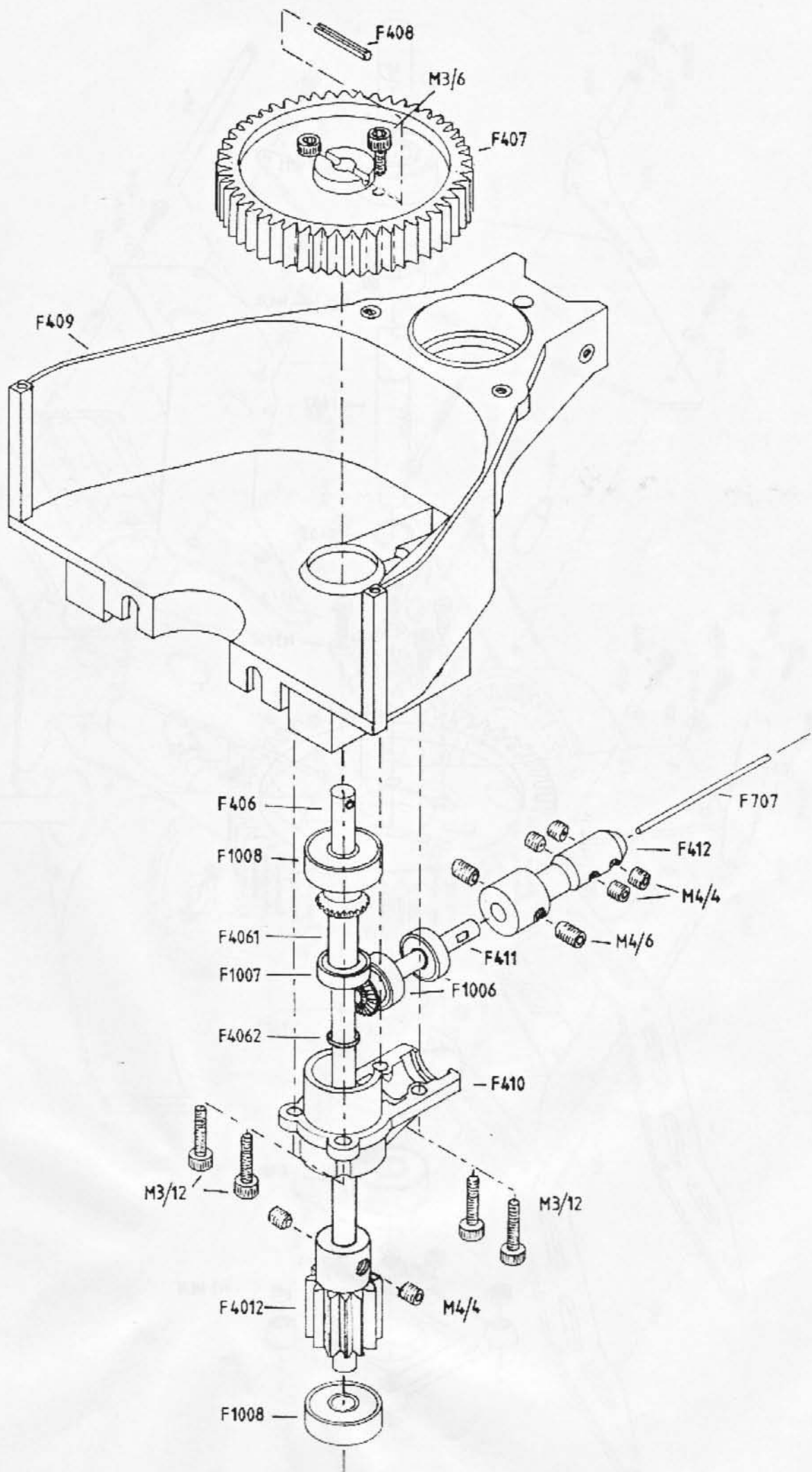


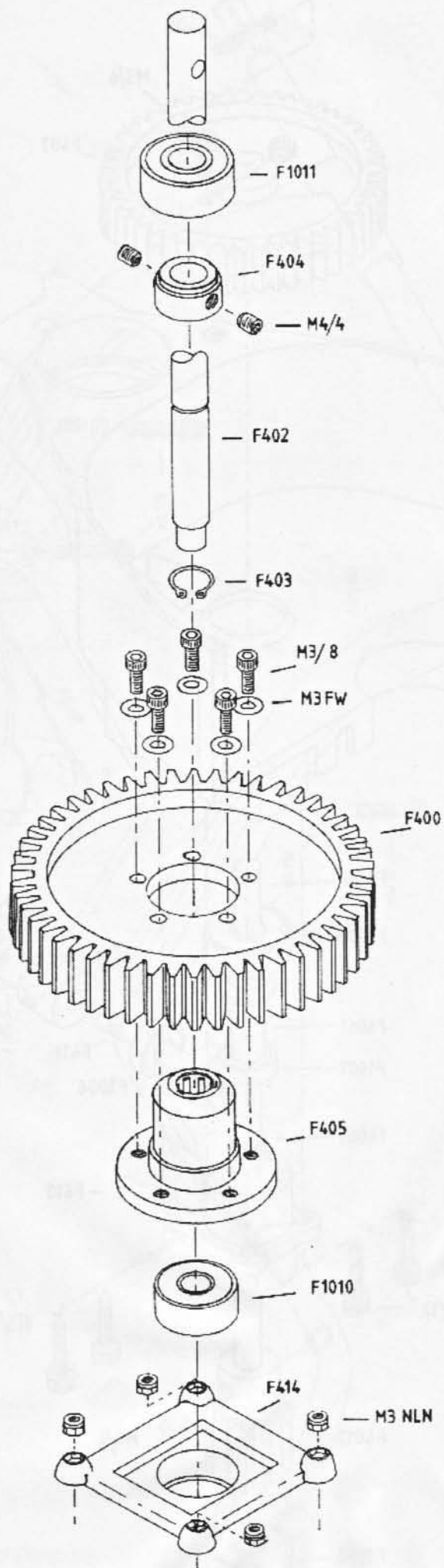


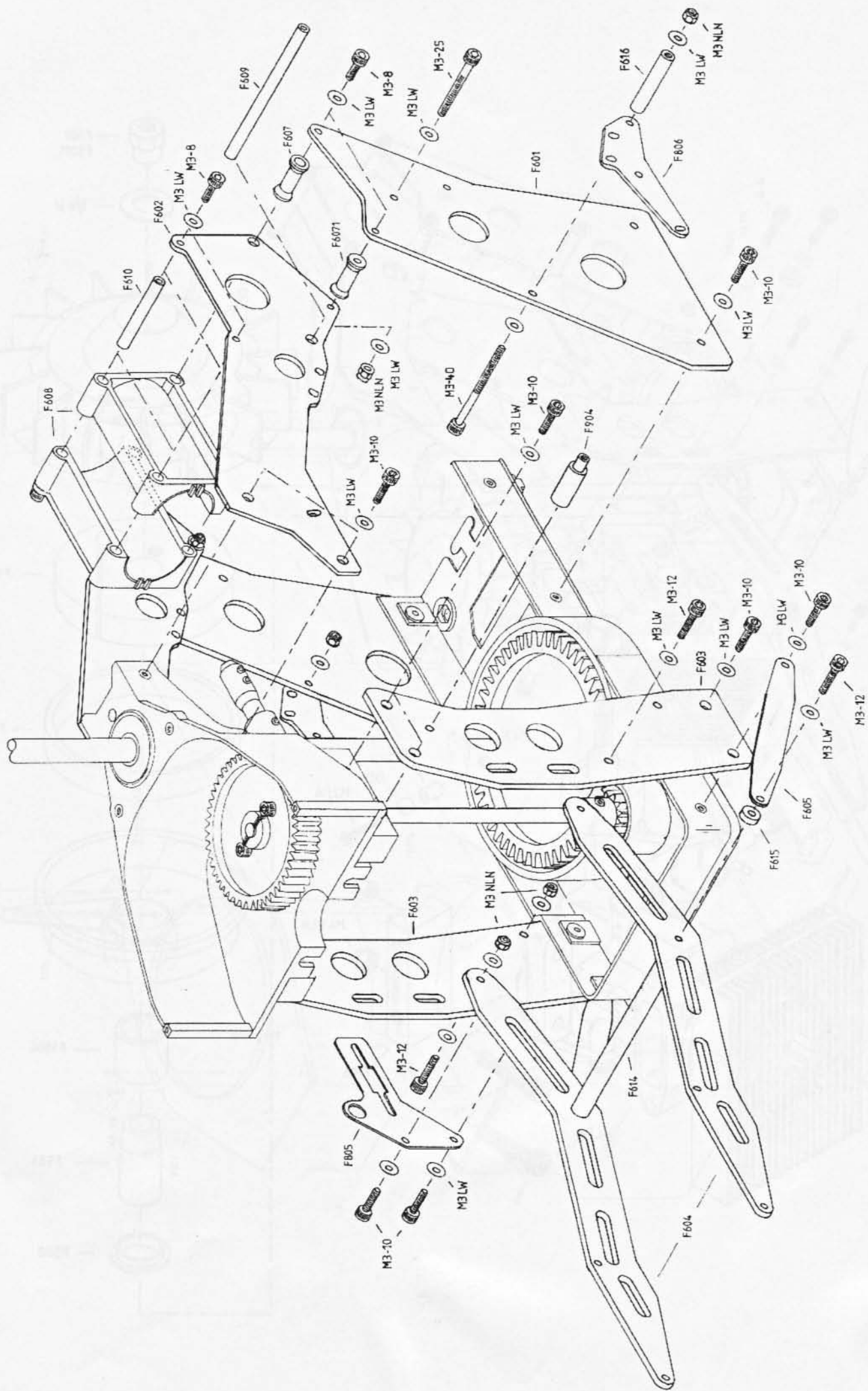
**CARBON 60**

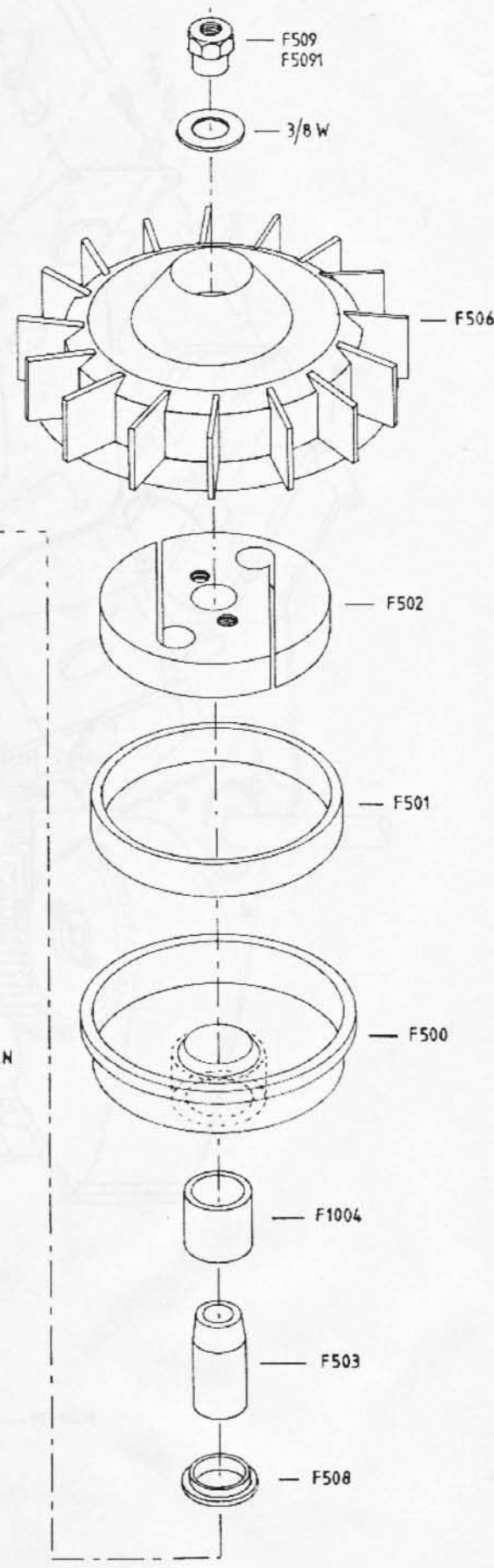
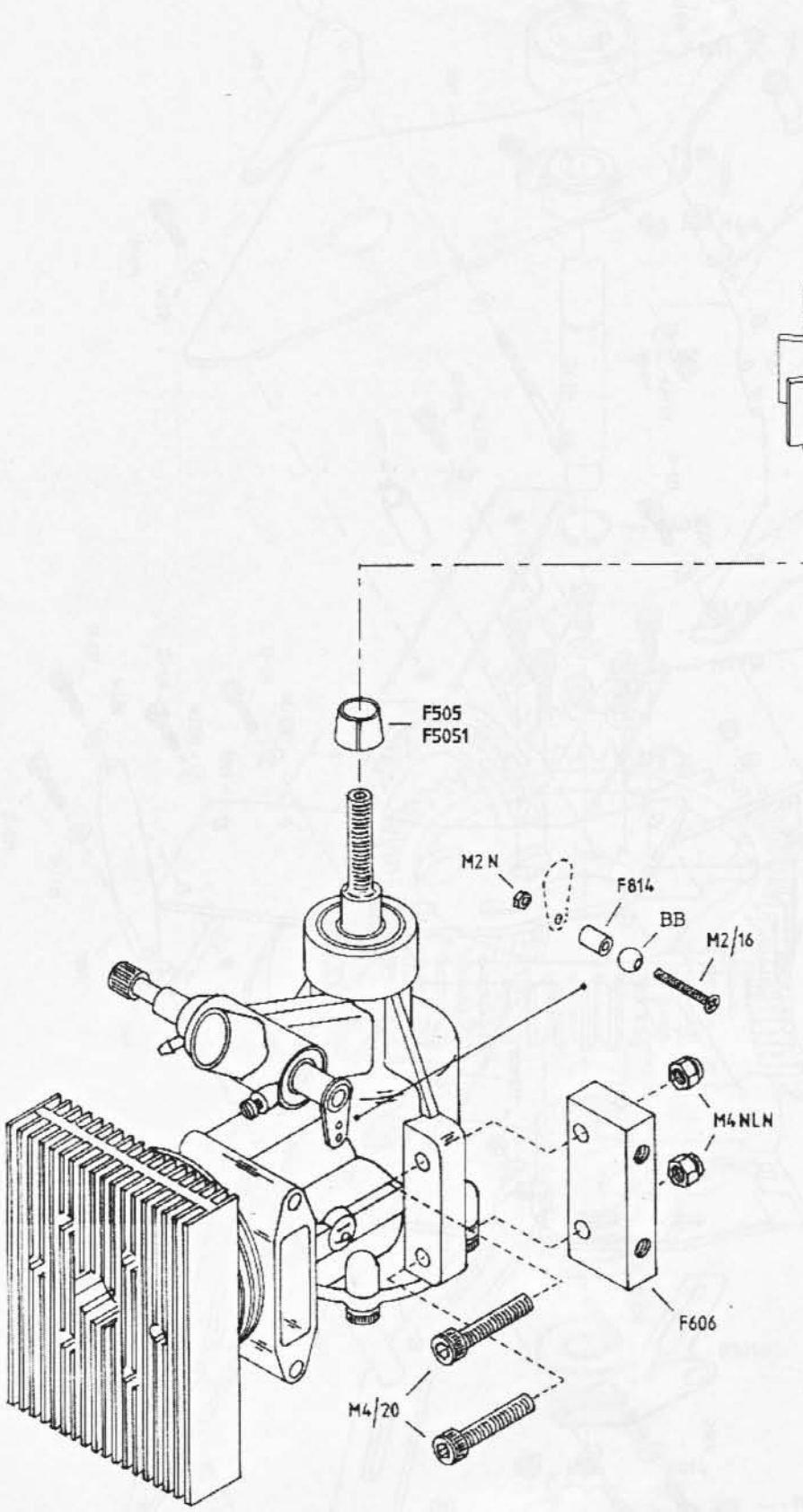
**ASSEMBLY DIAGRAMS**



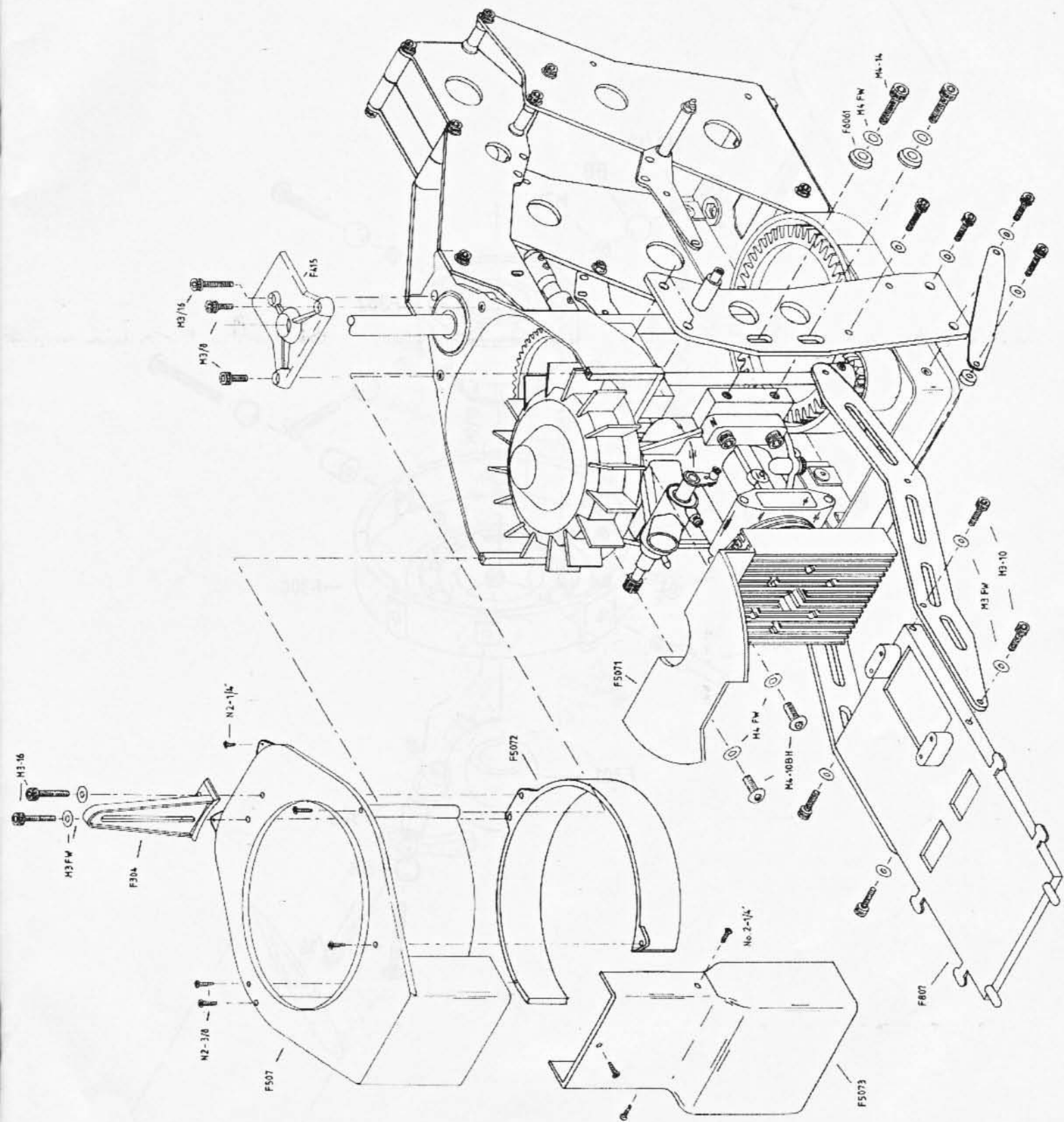


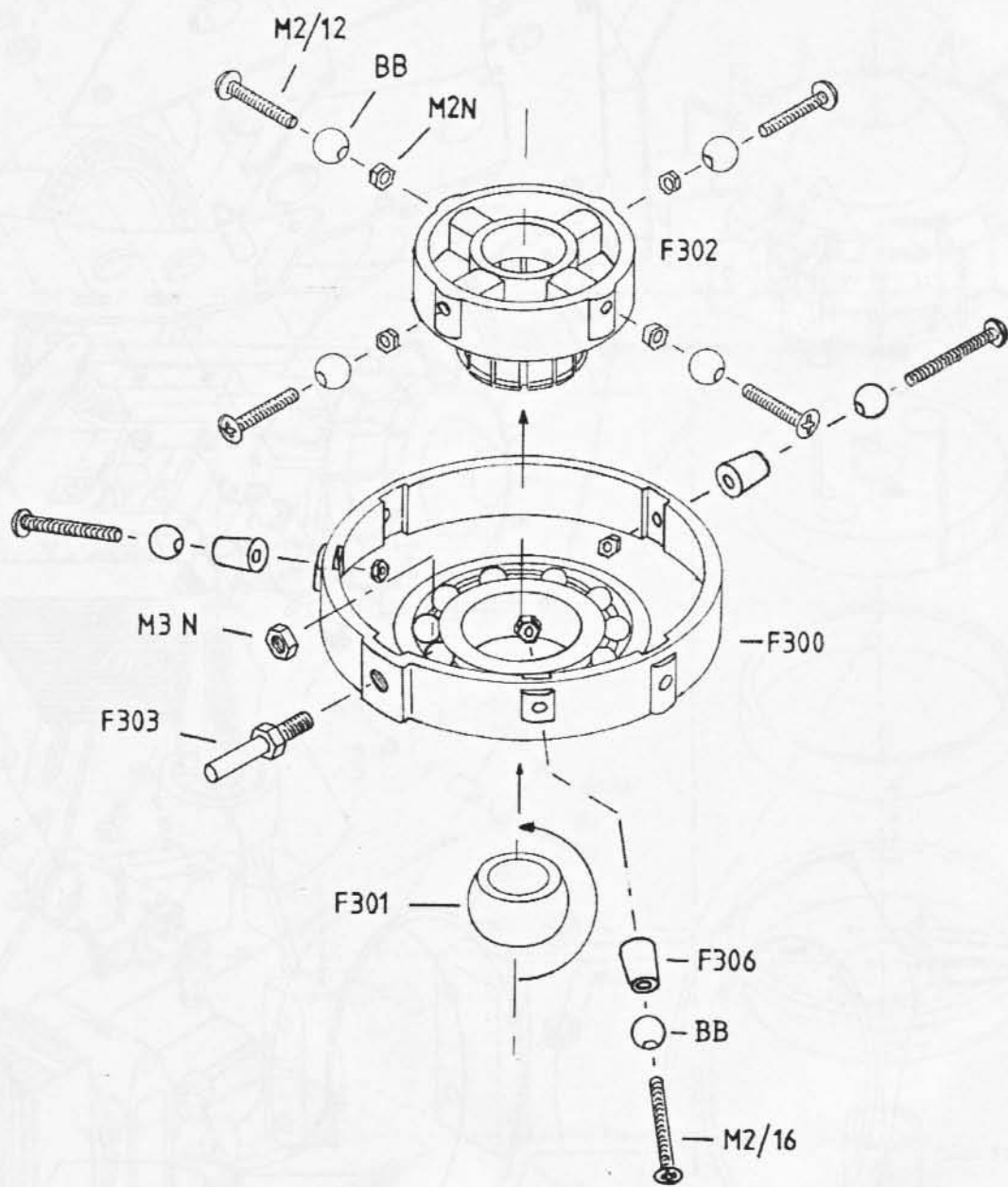




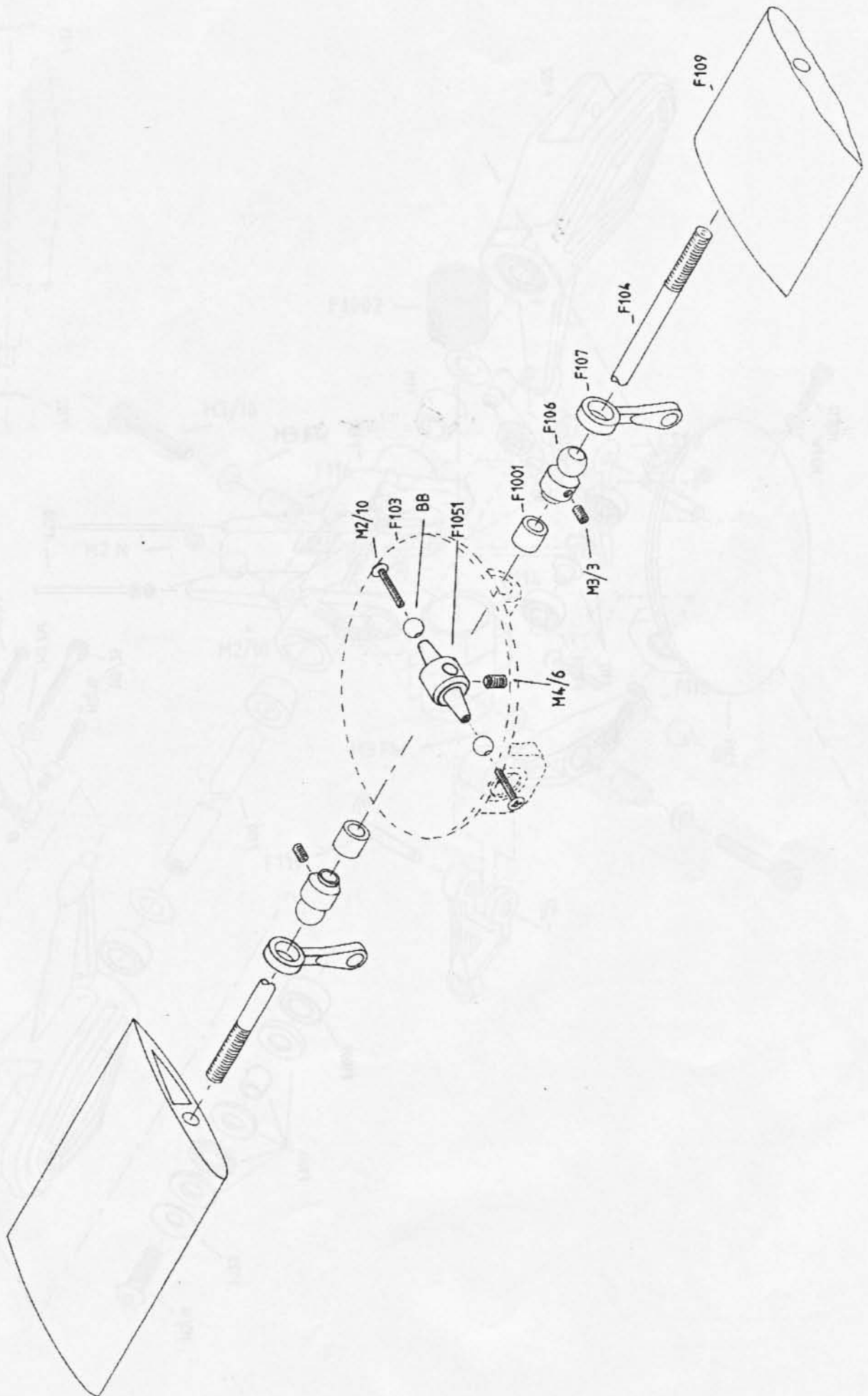


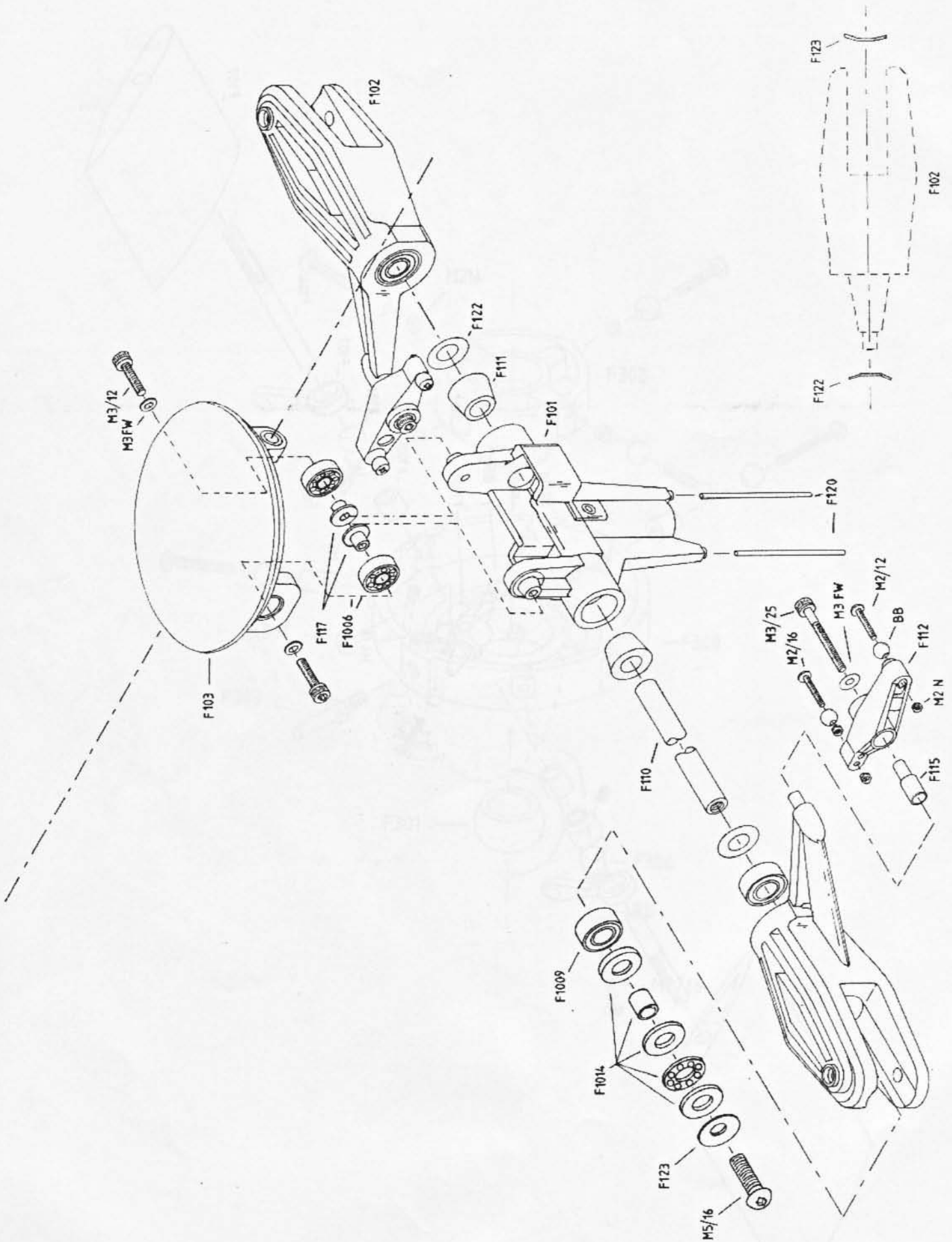


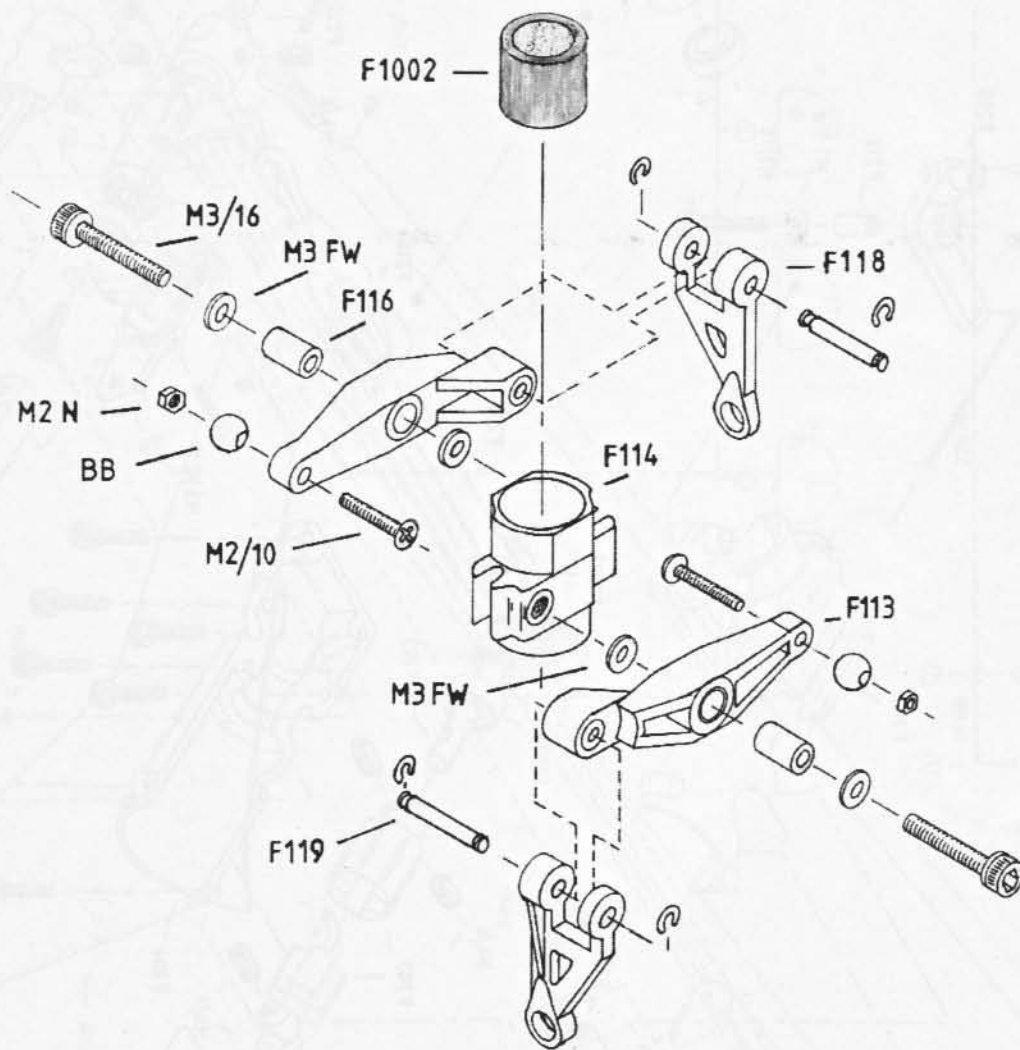


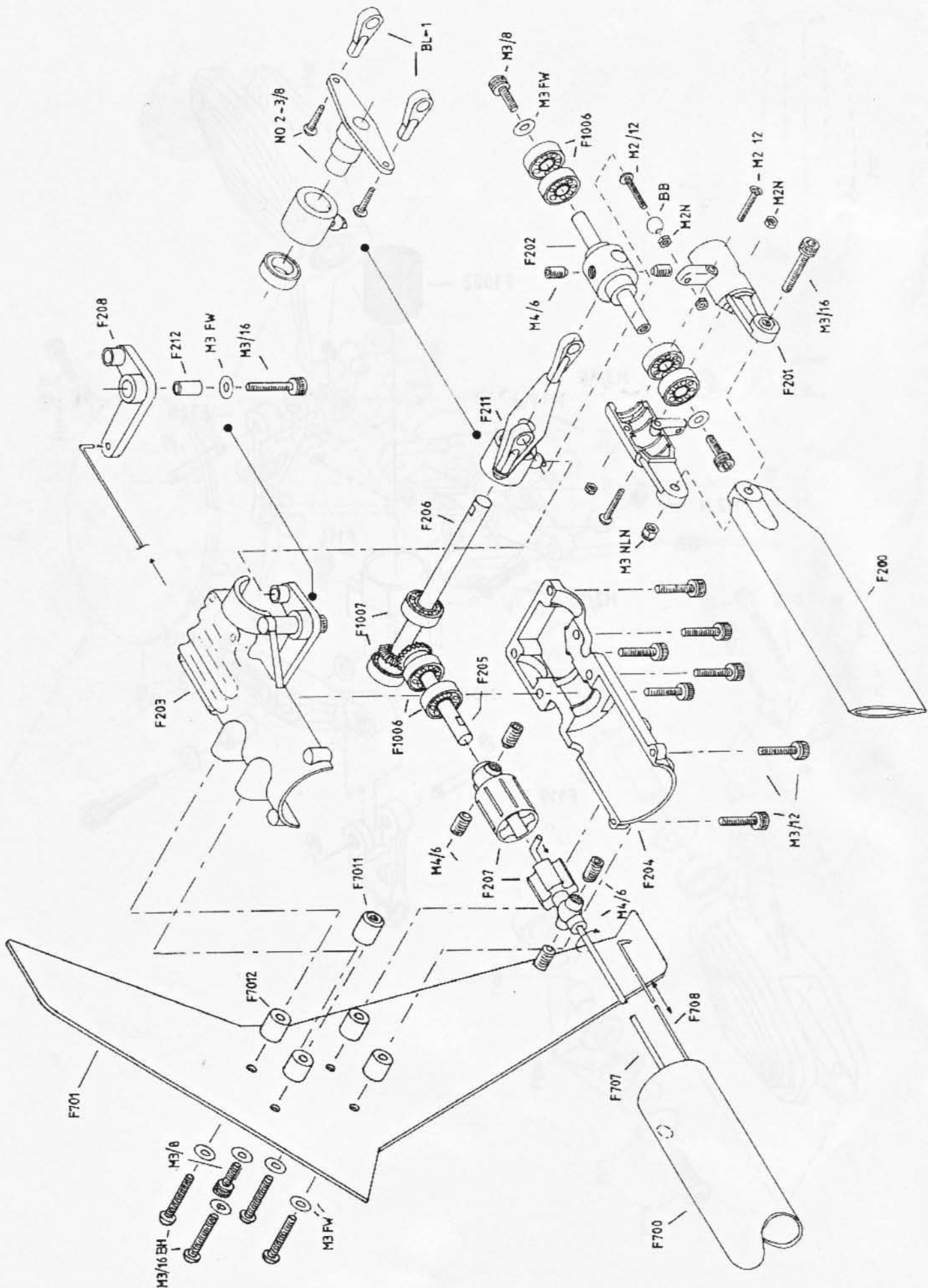


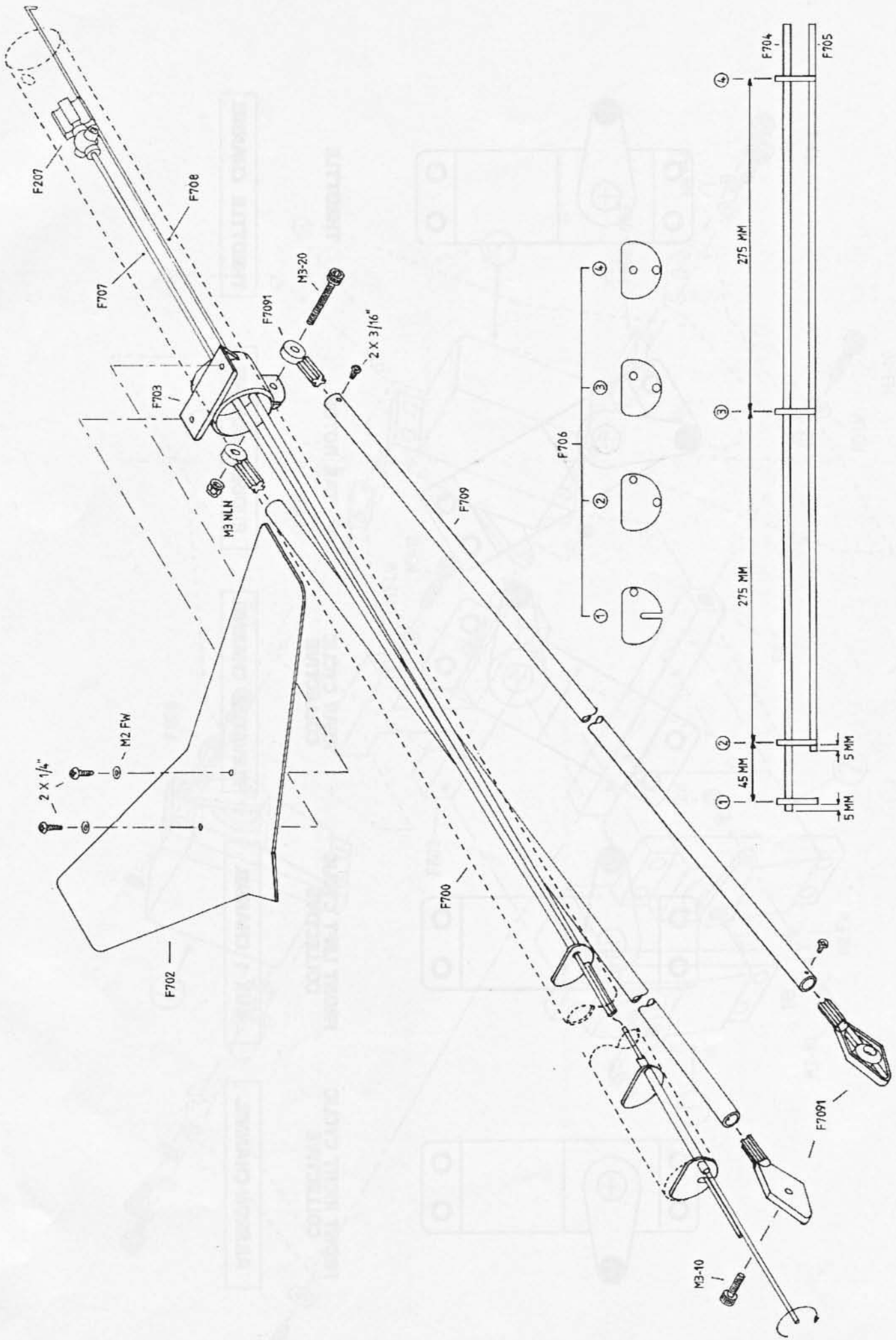


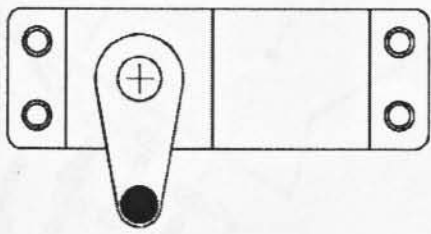






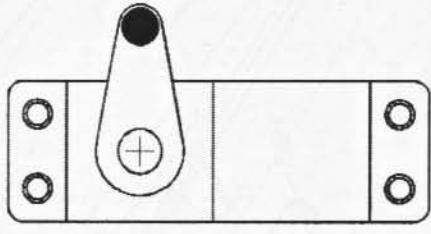






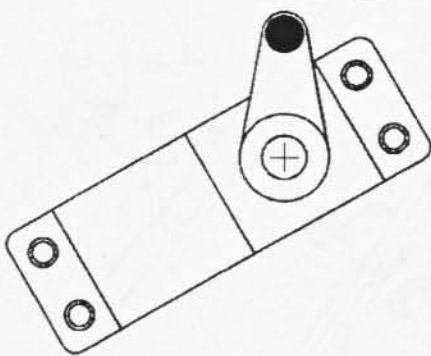
**FRONT RIGHT CYCLIC  
COLLECTIVE**

**AILERON CHANNEL**



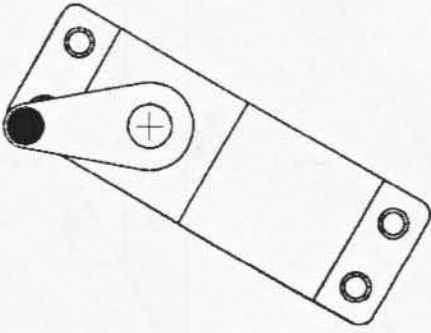
**FRONT LEFT CYCLIC  
COLLECTIVE**

**AUX 1 CHANNEL**



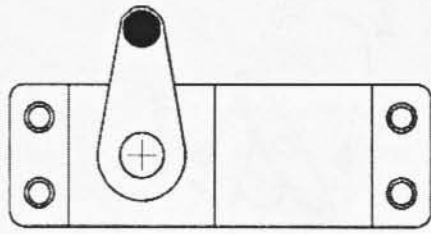
**REAR CYCLIC  
COLLECTIVE**

**ELEVATOR CHANNEL**



**TAIL ROTOR**

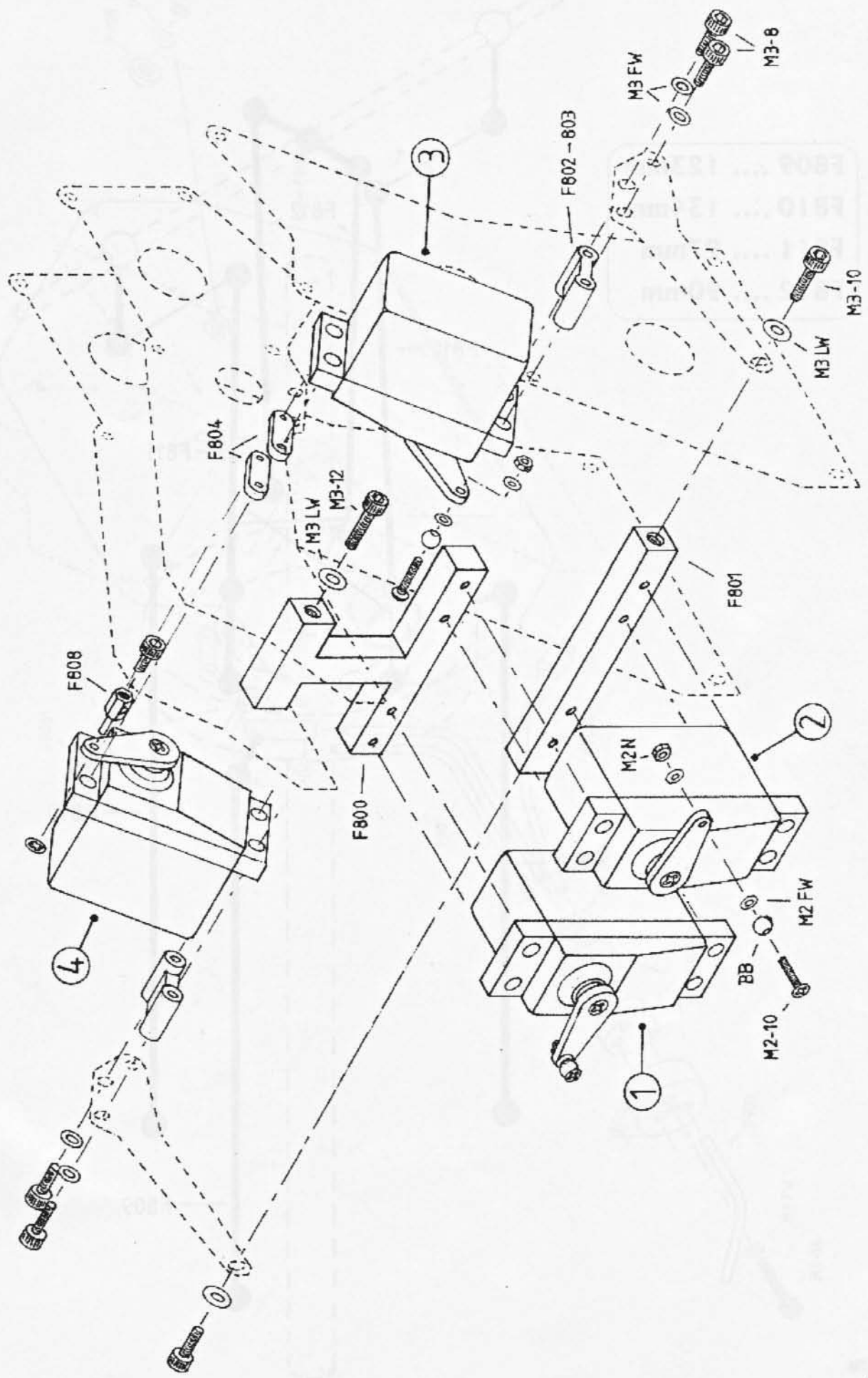
**RUDDER CHANNEL**



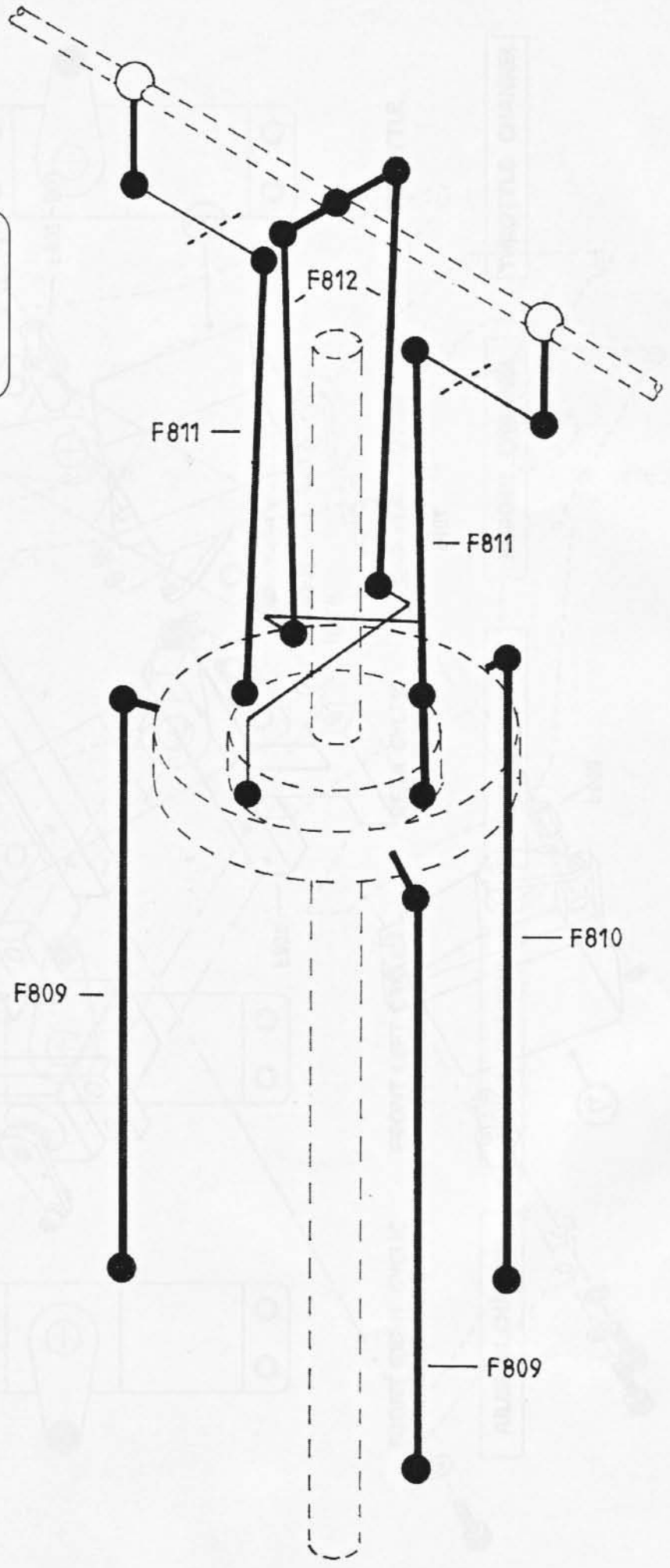
**THROTTLE**

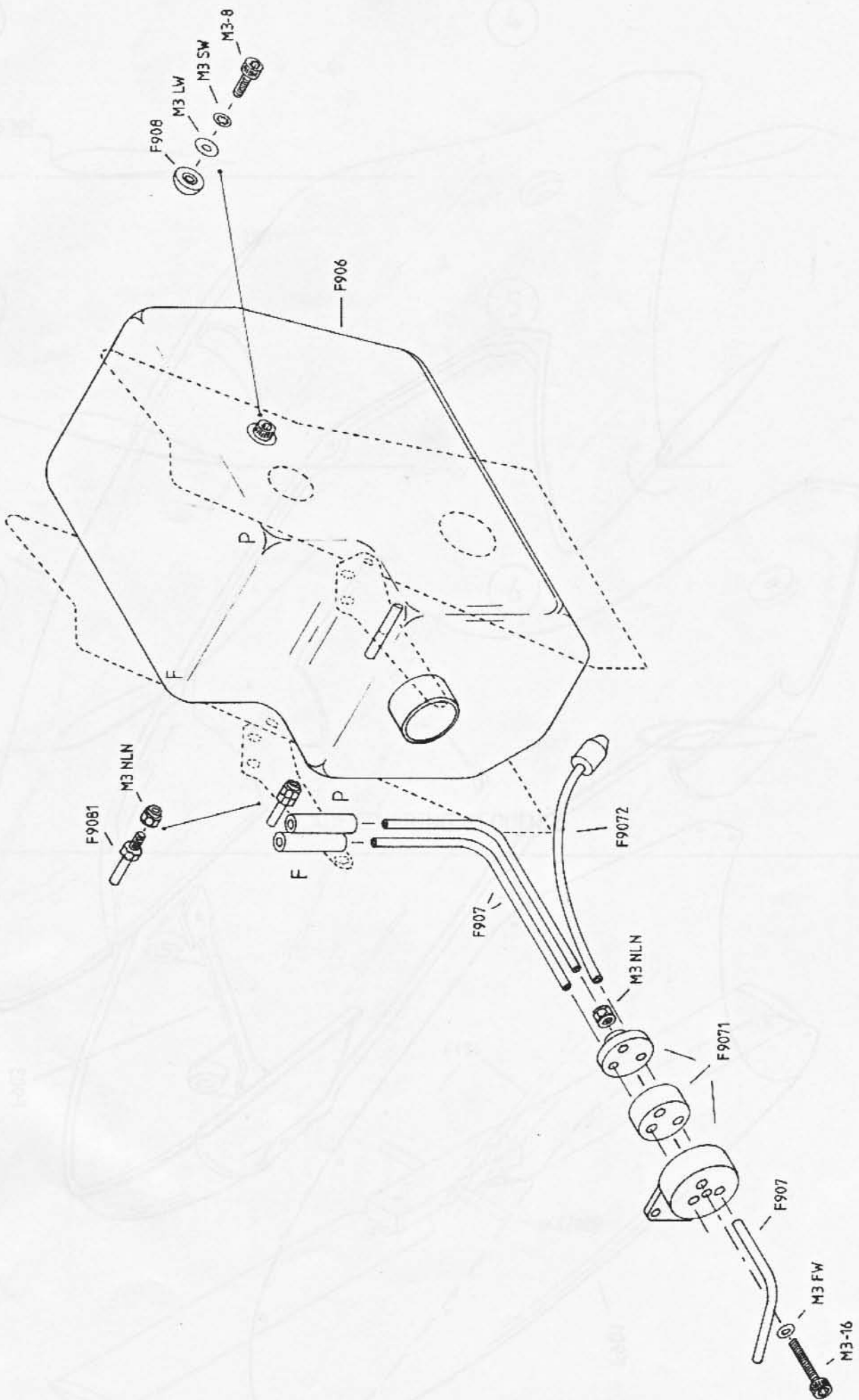
**THROTTLE CHANNEL**



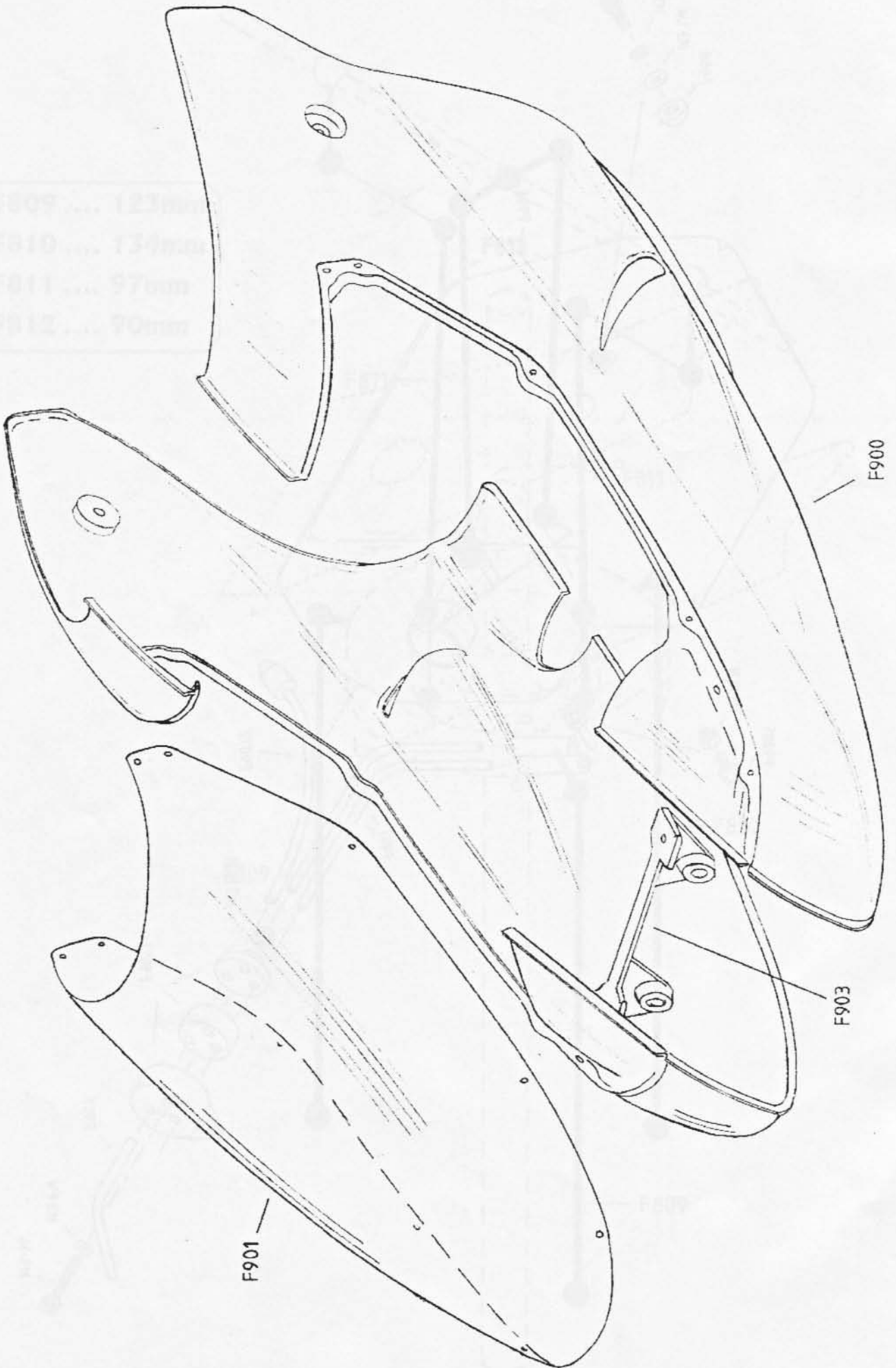


- F809 .... 123mm**
- F810 .... 134mm**
- F811 .... 97mm**
- F812 .... 90mm**





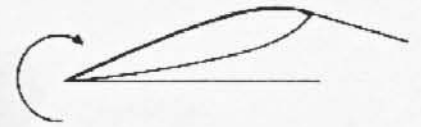
F809 ... 123mm  
F810 ... 134mm  
F811 ... 97mm  
F812 ... 90mm



1



4



2



5



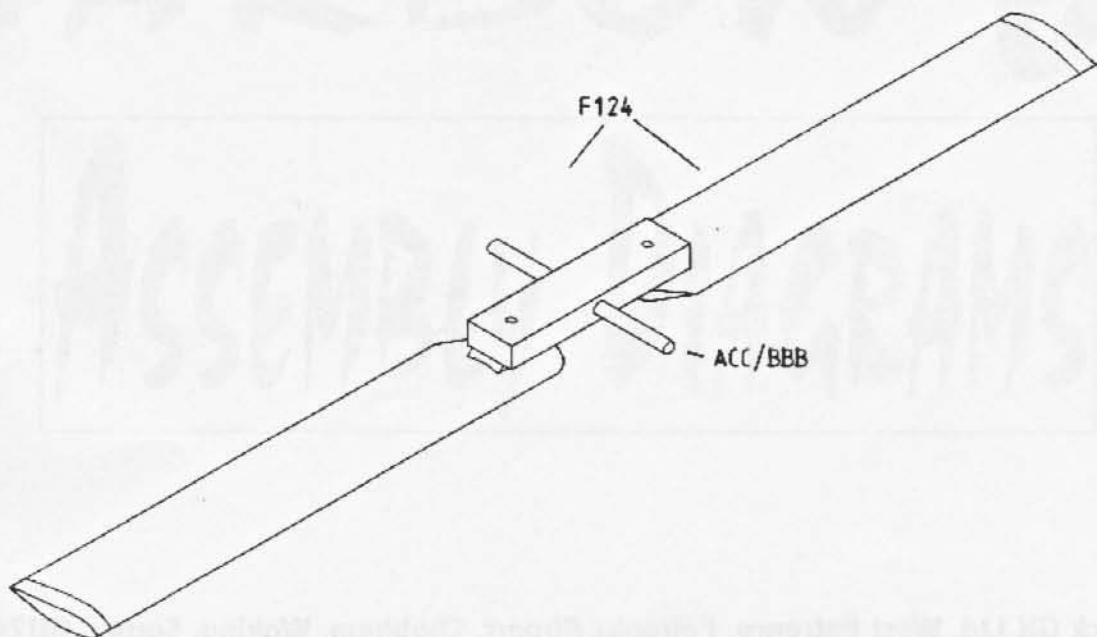
3



6



BLADE COVERING SEQUENCE





# MH-DESIGN

## ENGLAND

© Quick UK Ltd, West Entrance, Fair Oaks Airport, Chobham, Woking, Surrey, GU24 8HX.

Tel 01276 858570 Fax 01276 856292 - E-mail - [quickuk@aol.com](mailto:quickuk@aol.com)