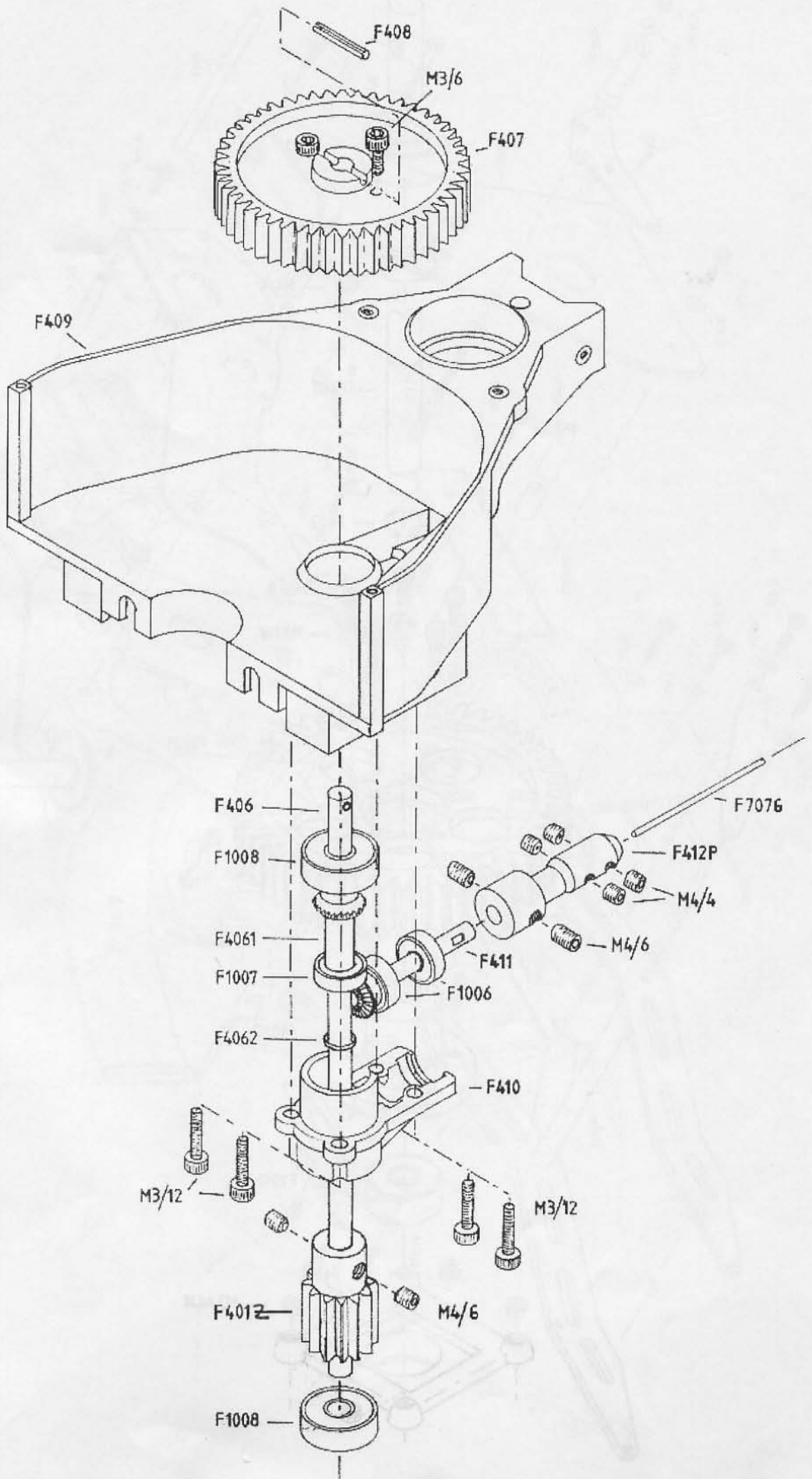
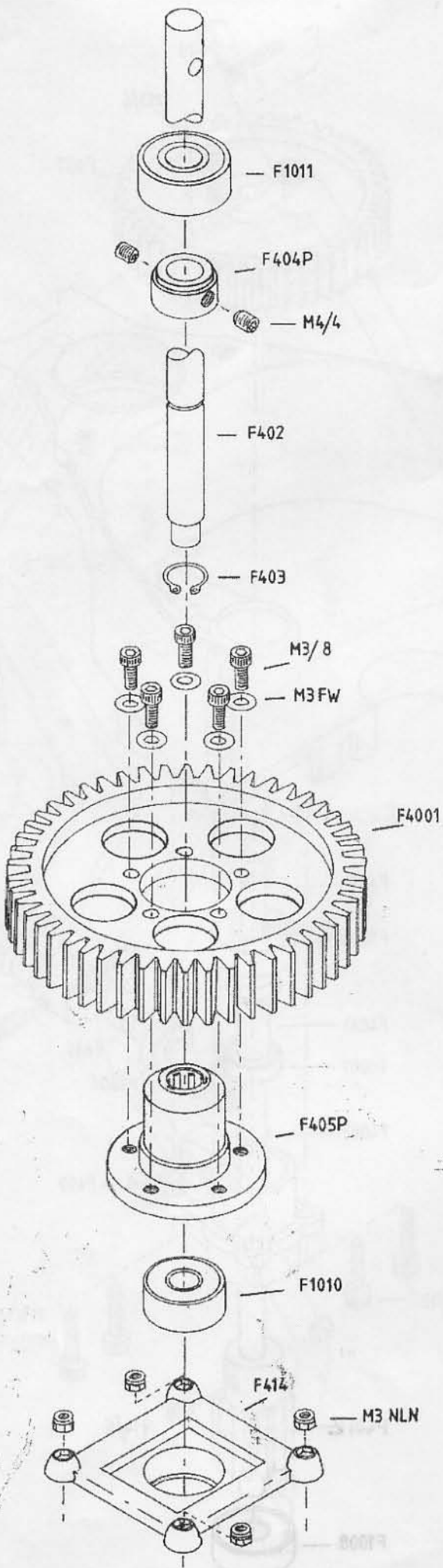


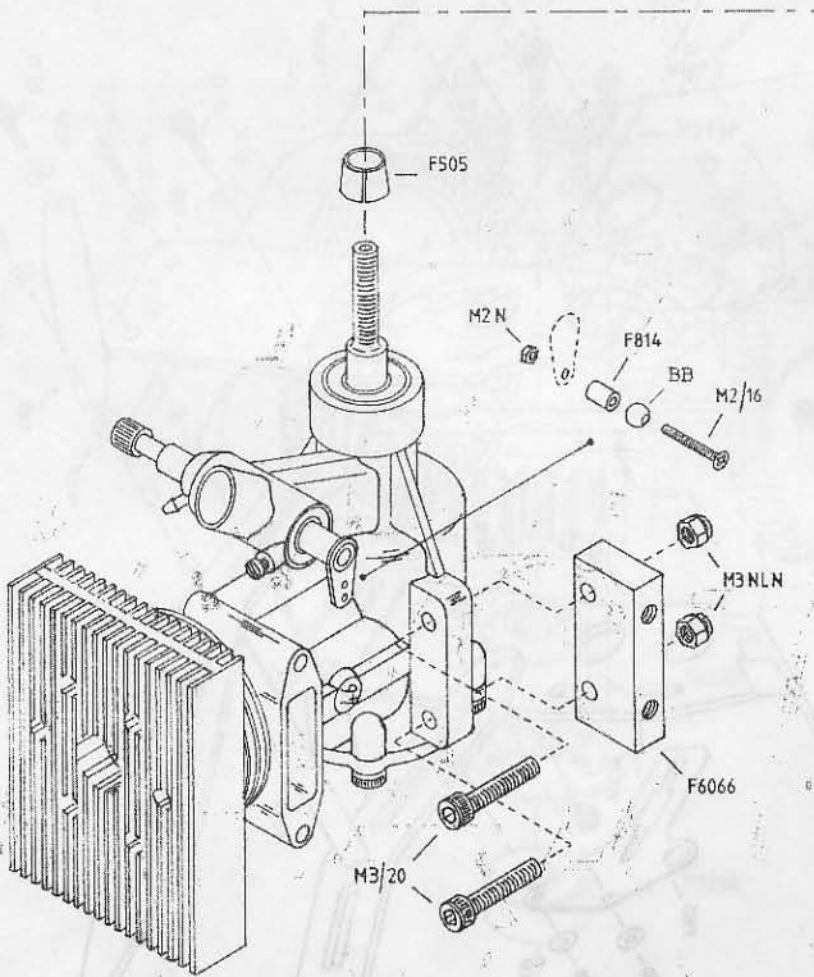
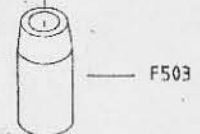
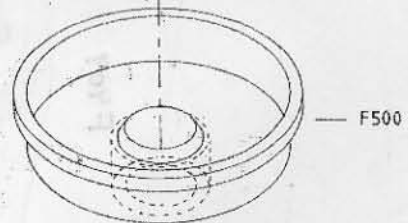
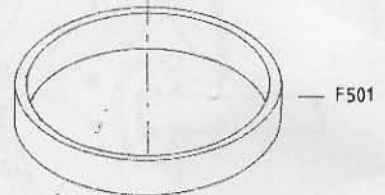
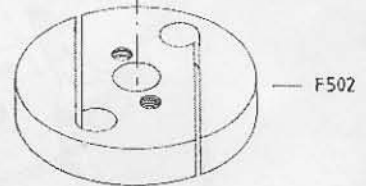
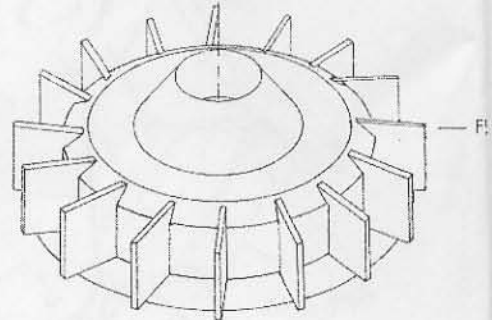
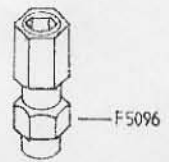


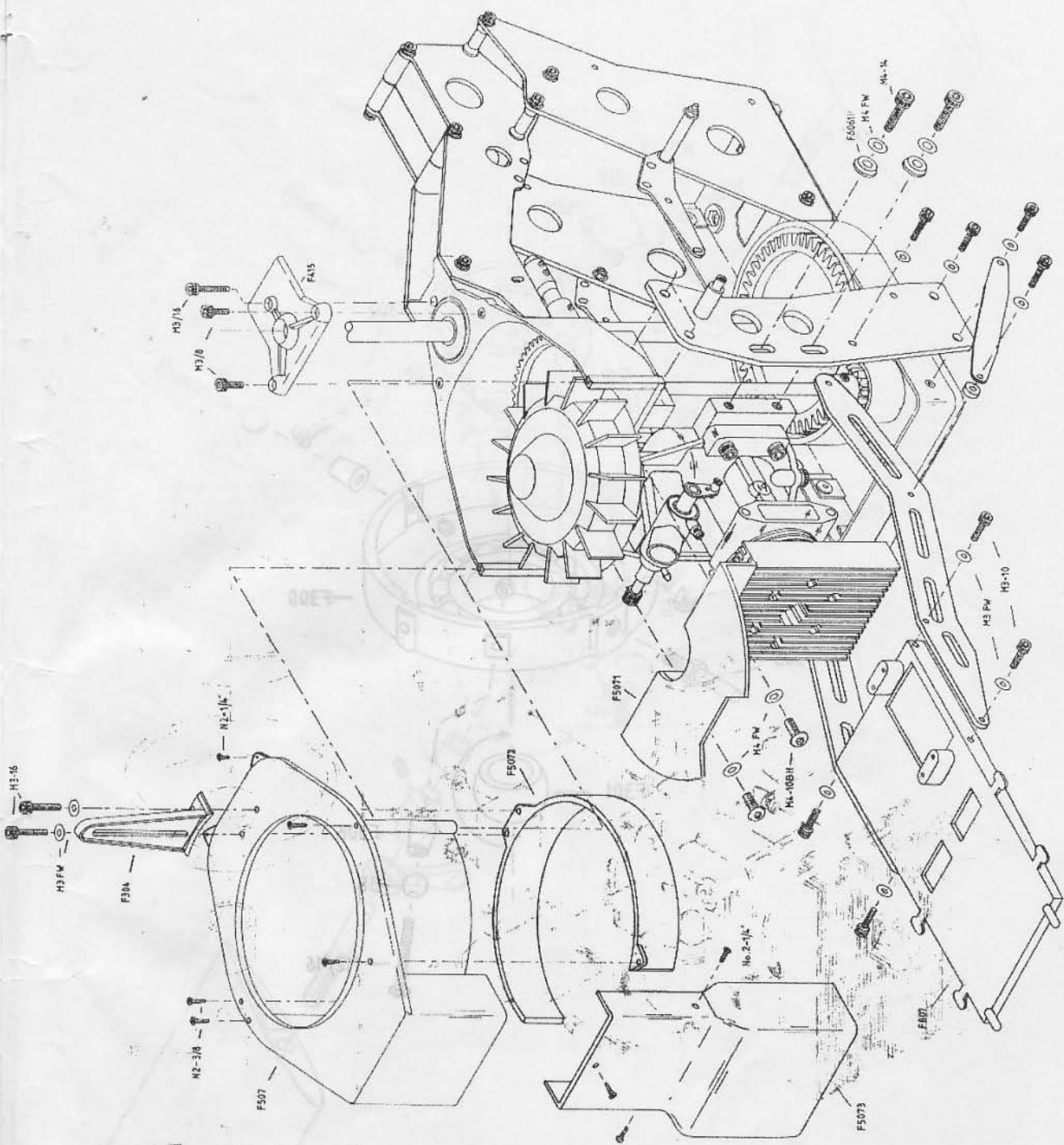
**CARBON 46**

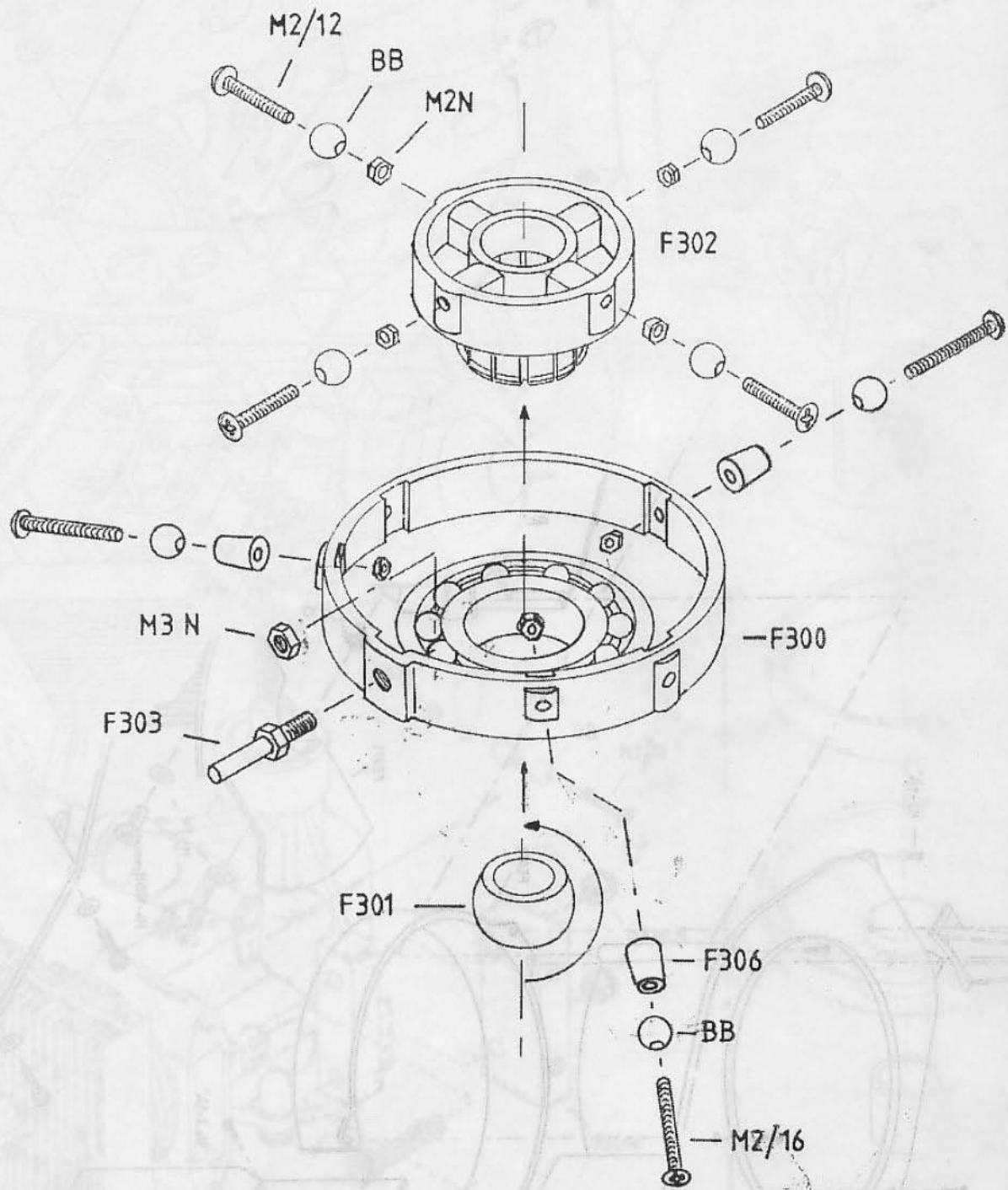
**ASSEMBLY DIAGRAMS**

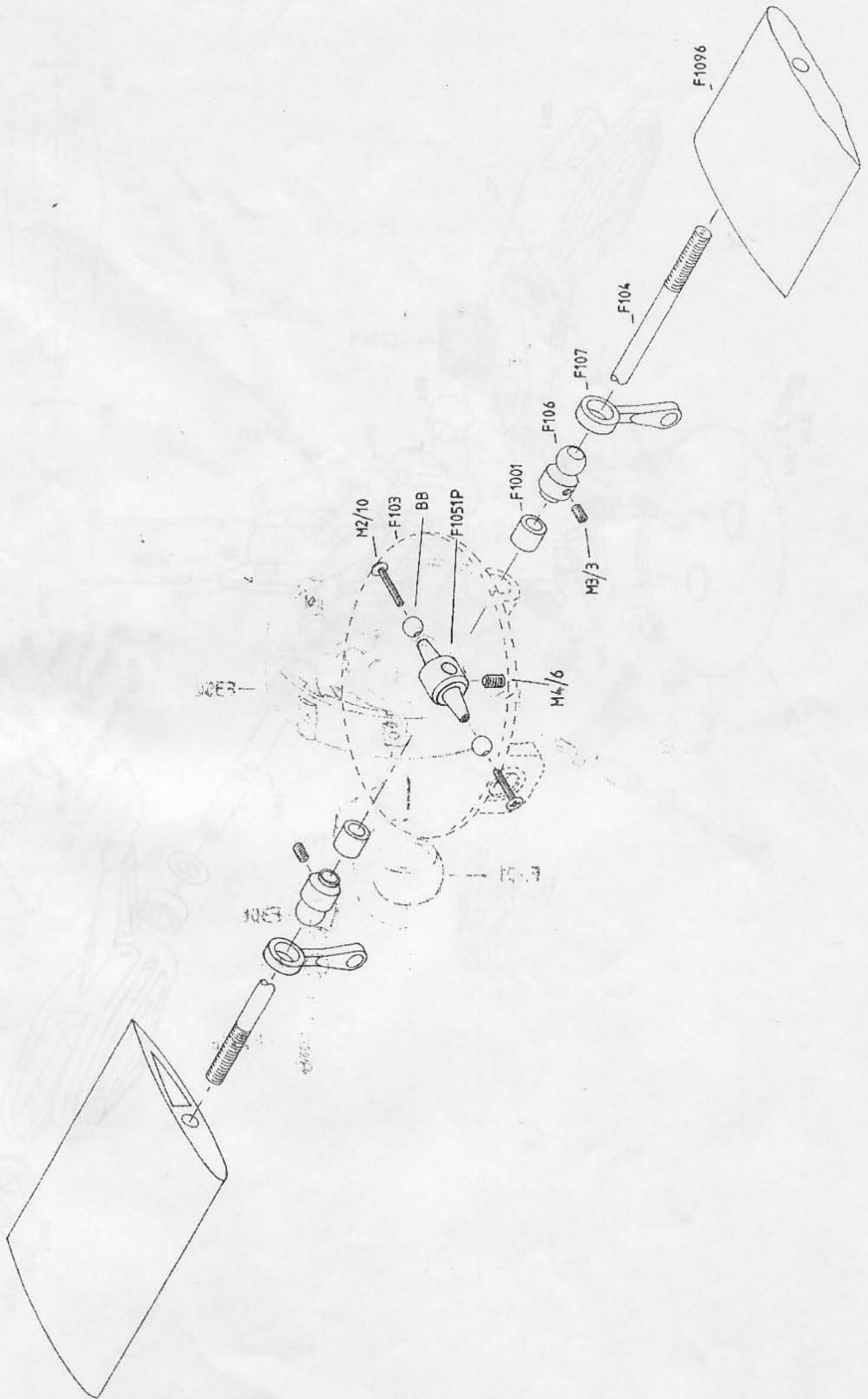


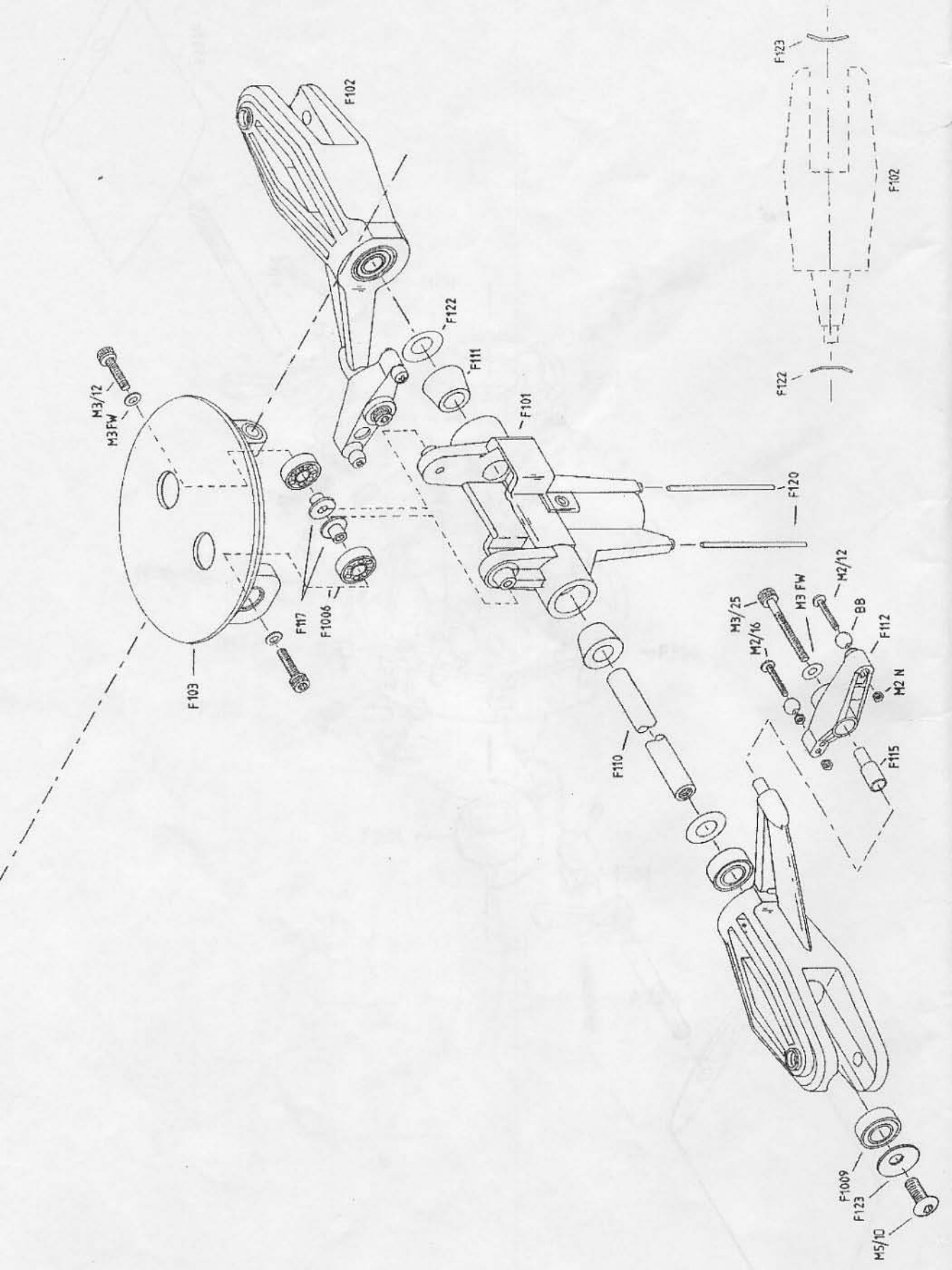




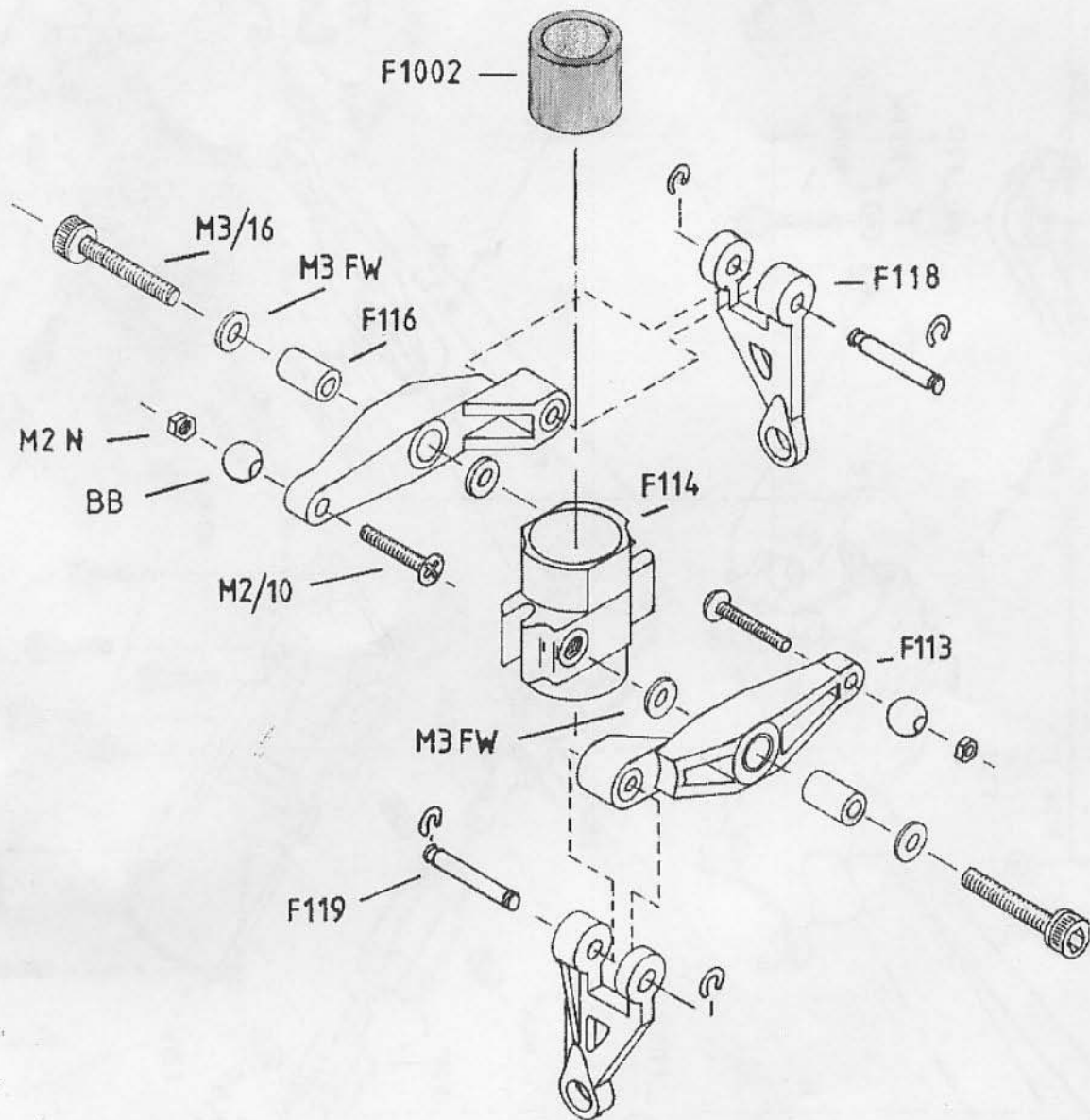




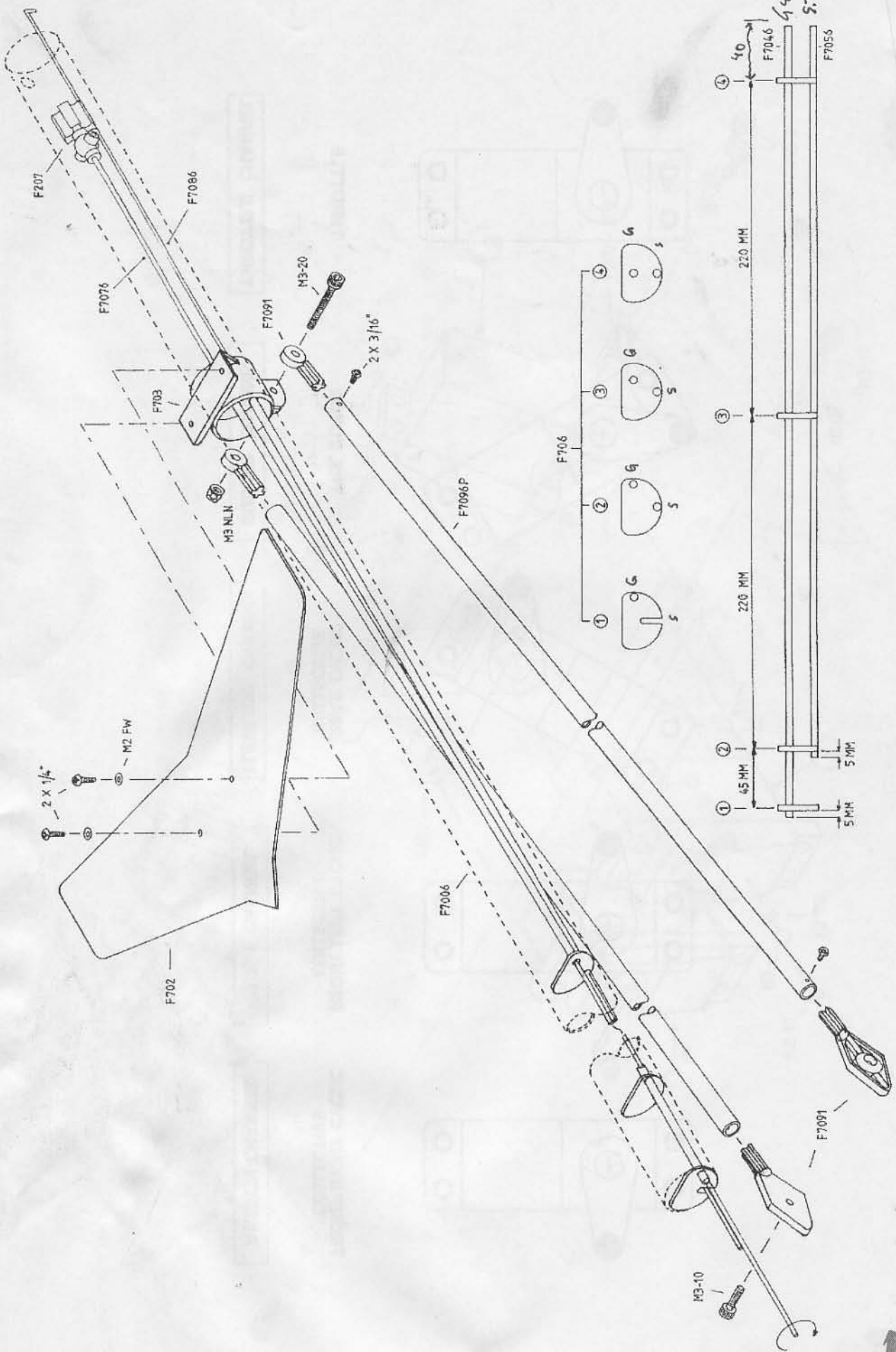


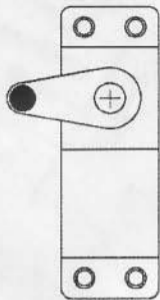






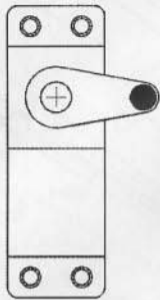






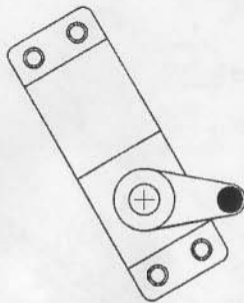
**FRONT RIGHT CYCLIC  
COLLECTIVE**

**AILERON CHANNEL**



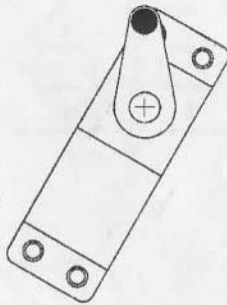
**FRONT LEFT CYCLIC  
COLLECTIVE**

**AUX 1 CHANNEL**



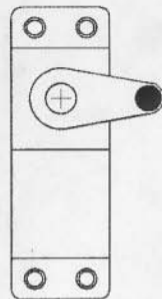
**REAR CYCLIC  
COLLECTIVE**

**ELEVATOR CHANNEL**



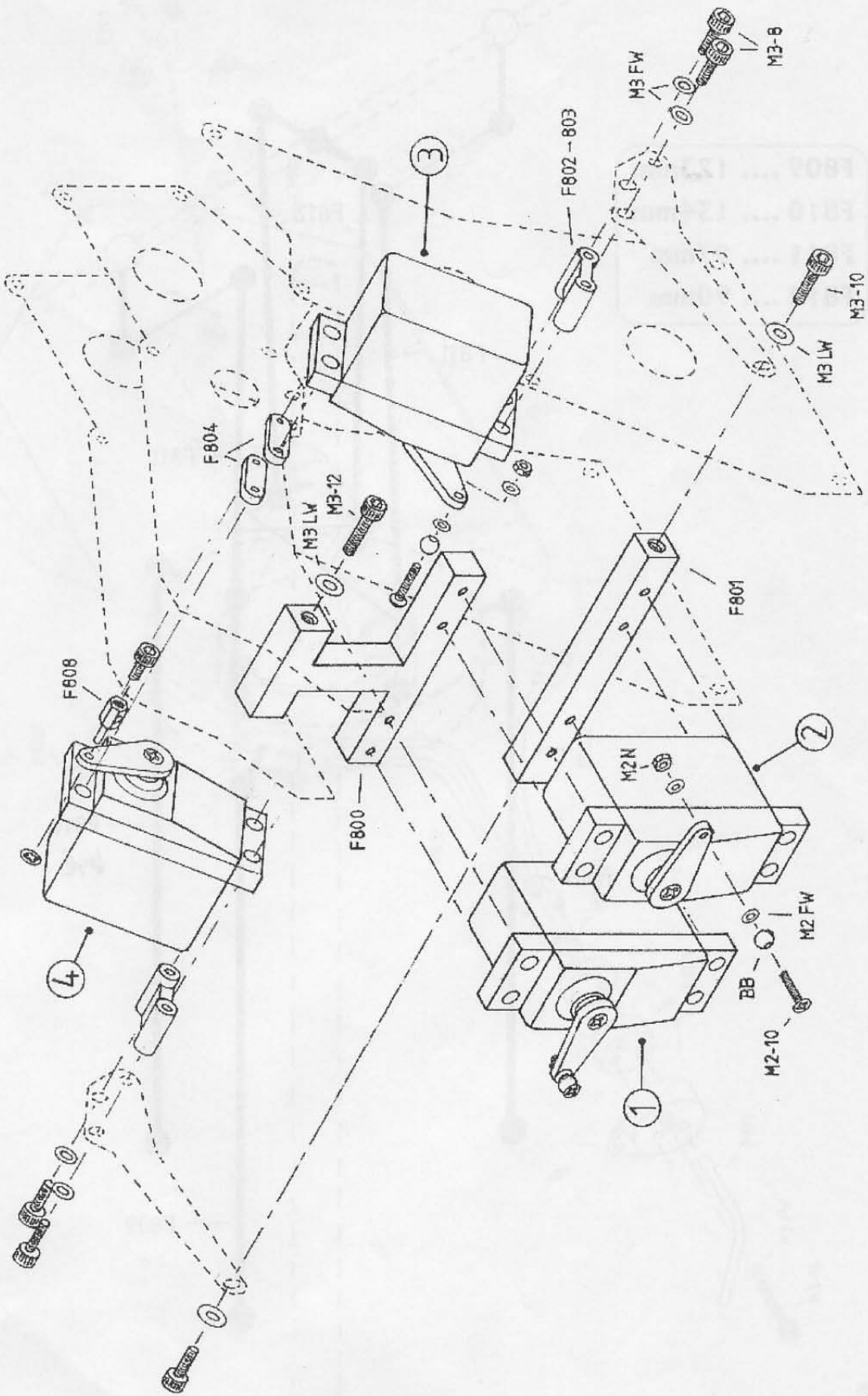
**TAIL ROTOR**

**RUDDER CHANNEL**



**THROTTLE**

**THROTTLE CHANNEL**

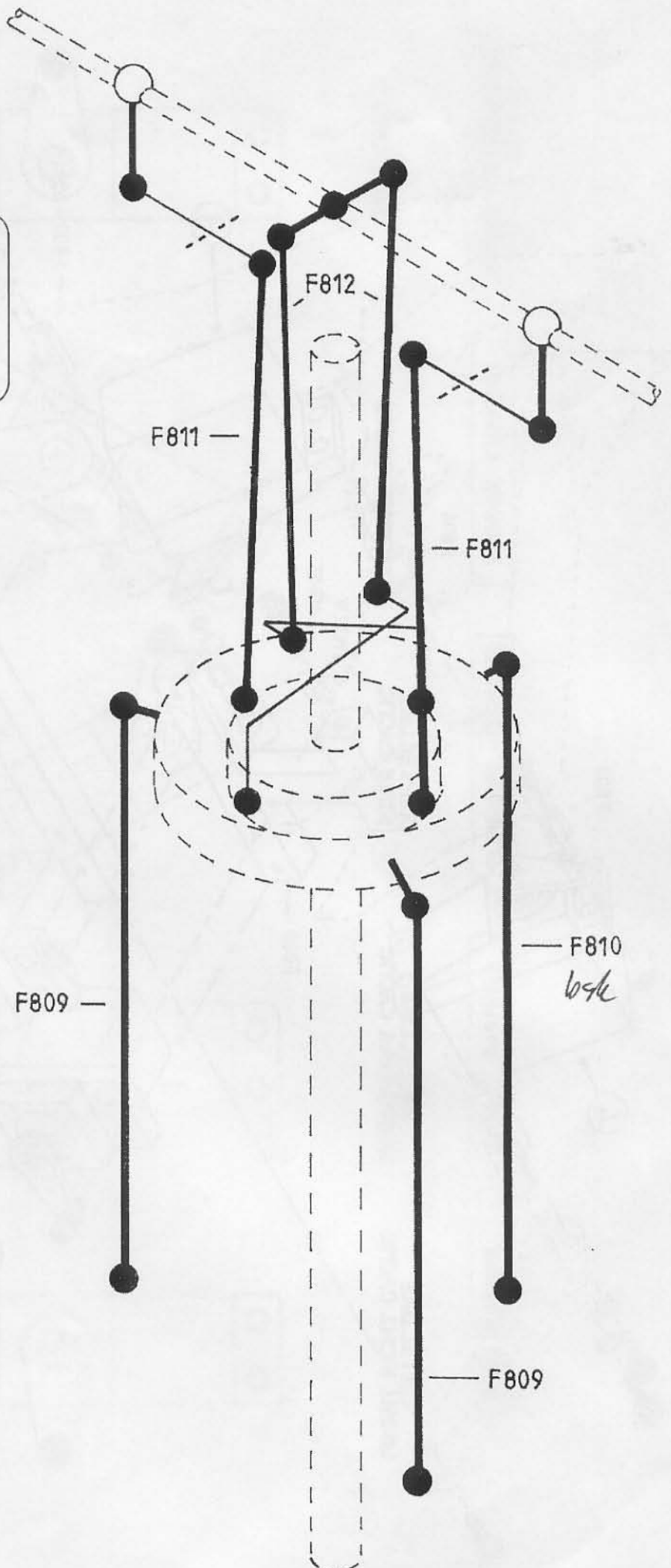


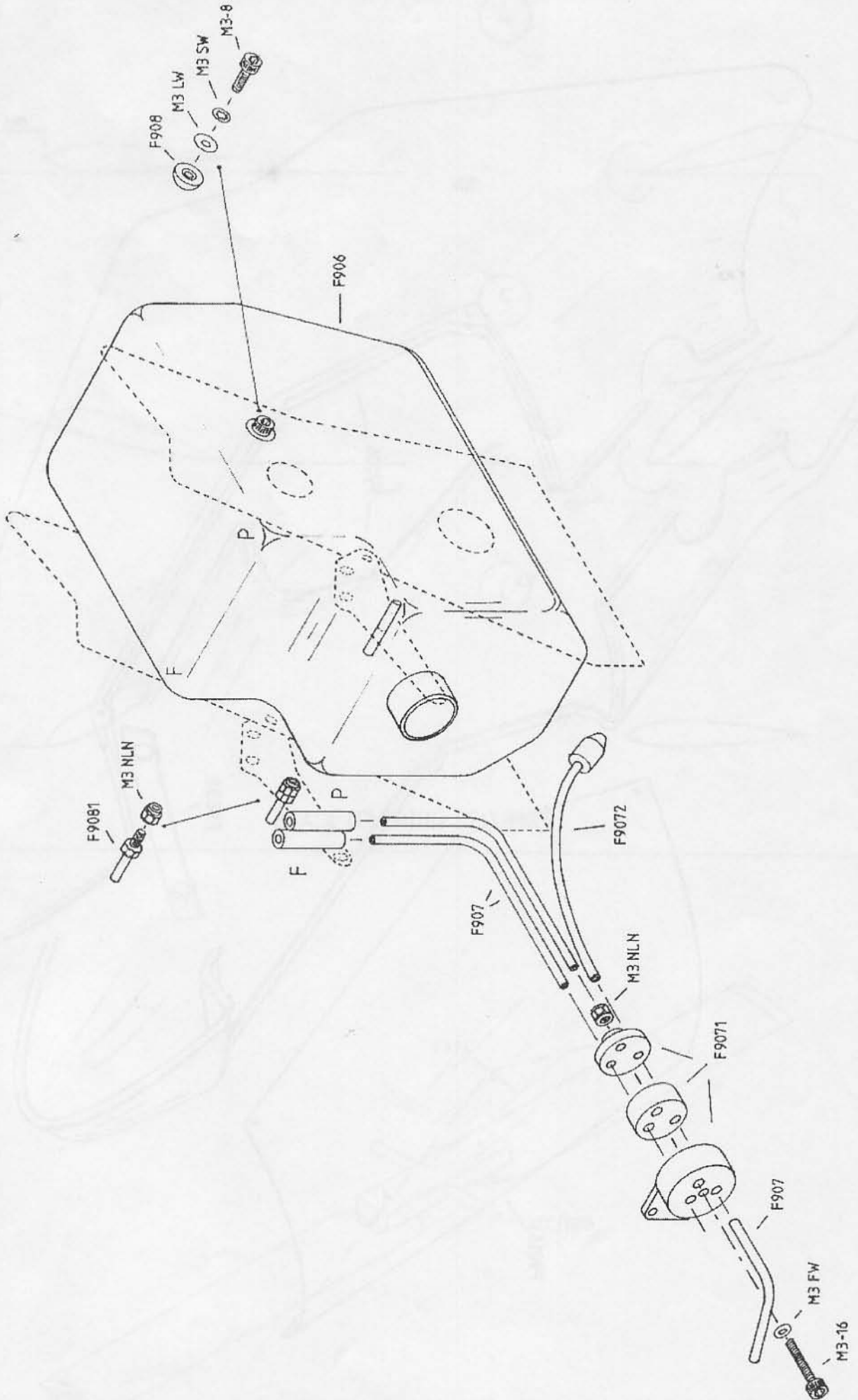
**F809 .... 123mm**

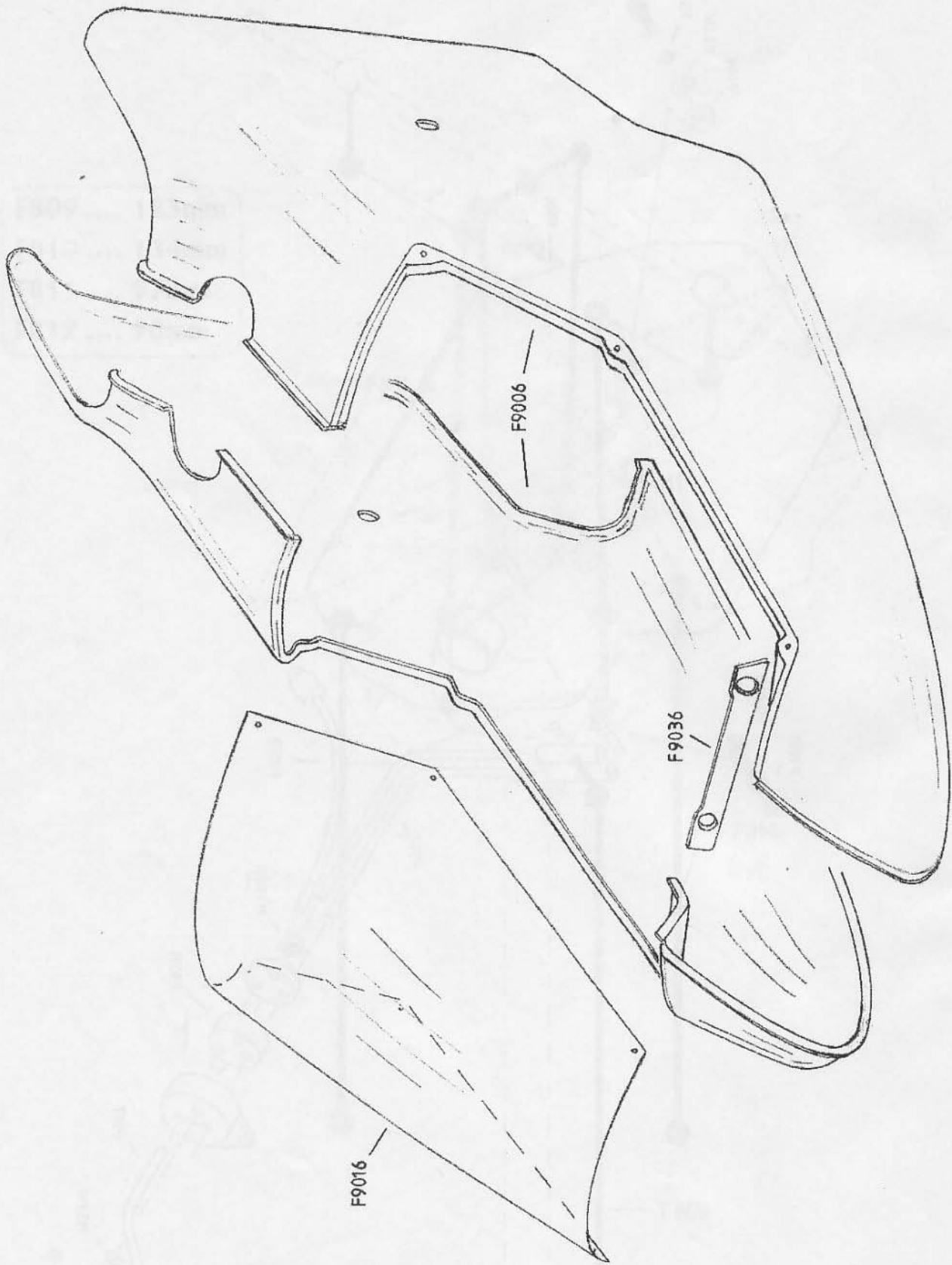
**F810 .... 134mm**

**F811 .... 97mm**

**F812 .... 90mm**

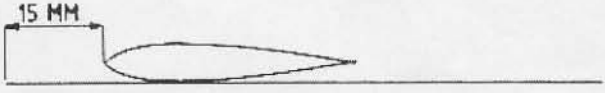




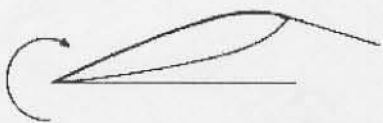




1



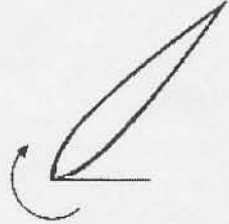
4



2



5



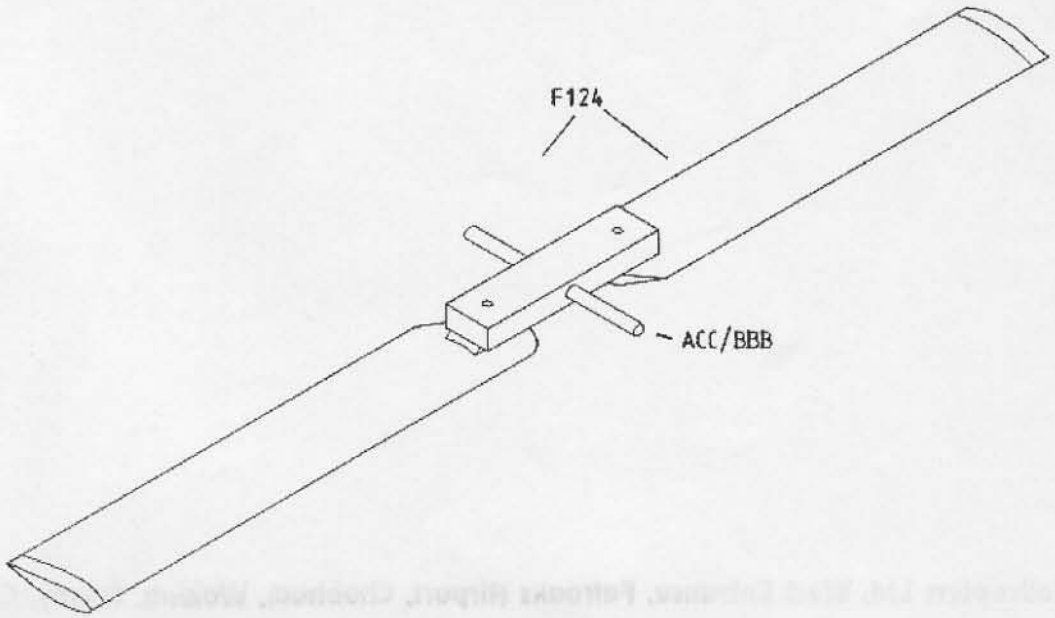
3



6



BLADE COVERING SEQUENCE





# MH-DESIGN

## ENGLAND

© Morley Helicopters Ltd, West Entrance, Fair Oaks Airport, Chobham, Woking, Surrey, GU24 8HX.

Tel & Fax 01276 856292.