



UH-1 Scale Fuselage CONVERSION KIT

UH-1 像真直昇機升級套件



1/15 SCALE

No.3901



This radio-controlled model helicopter is not a toy! Before assembly, please read this manual thoroughly.

本套件為高性能遙控模型—非玩具，組裝與操作前請詳閱本產品說明書。

The parts are subject to change without prior notice due to product improvements and specification changes.

本套件所附之零件可能跟圖示有所差異。因產品後續之設計研發或功能不斷改善之原因，我們將保留產品規格變更權利，不再另行通知使用者。

Assembly Manual & Parts Catalogue

組裝說明書及零件包型錄

Introduction 前言

Thank you for purchasing this Thunder Tiger product. This manual includes the steps and instructions required to assemble your UH-1 helicopter. Please read this manual completely before attempting to start assembly. Follow the directions in this manual closely to reduce problems during operation. We offer online help on our www.thundertiger.com or www.acehobby.com and our product specialists are ready to take your call if you have any technical questions. Have fun and enjoy the exciting world of R/C.

感謝您購買雷虎技mini Titan E325 UH-1 升級套件。雷虎技一向以提供最高品質的產品及服務作為持續努力的目標，期望能呈現給您最頂級之工藝產品。本使用說明書包含了組裝及維修本產品前所需注意的重要事項，建議您在開始組裝及維修本產品之前，能詳閱此說明書，並熟悉本產品之組裝步驟及維修程序。若是您在產品的使用上有任何的疑問，歡迎多加利用我們所提供的24小時諮詢留言版或洽詢雷虎技授權經銷商。雷虎技的全球官方網址為www.thundertiger.com，我們將竭誠為您服務！

CONTENTS 目錄

■ CONTENTS / 目錄	1
■ INTRODUCTION / 簡介	2
■ DISASSEMBLY / 原機拆解	4
1. BATTERY TRAY DISASSEMBLY / 電池座分解	5
2. CANOPY RETAINING POST / 機殼支柱分解	6
3. LANDING SKID DISASSEMBLY / 腳架分解	7
4. TAIL DISASSEMBLY / 機尾分解	8
■ ASSEMBLY / 組裝	10
UH-1 RETAINING POST & NEW BATTERY TRAY ASSEMBLY / 機殼支柱 & 一體式電池座組裝	11
LANDING SKID CONVERSION KIT ASSEMBLY / 腳架轉接座 & 機身下支架組裝	12
WEAPEN PARTS ASSEMBLY / 武器配件 & 尾翼防撞桿組裝	13
TAIL TRANSMISSION ASSEMBLY / 尾傳動機構組裝	14
TAIL & H-FIN BRACKET ASSEMBLY / 水平尾翼支架及尾傳動機構組裝	19
BODY CUTING / 機身剪裁	20
BODY ASSEMBLY / 左右機殼鎖固	21
BODY ASSEMBLY / 左右機殼鎖固 & 金屬腳架組裝	22
LANDING SKID & HFIN ASSEMBLY / 腳架 & 水平尾翼組裝	23
WEAPEN SYSTEM ASSEMBLY (Military Version) / 武器配件組裝 (軍用版專用)	24
CANOPY ASSEMBLY / 機艙罩組裝	25
ACCESSORIES ASSEMBLY / 配件組裝	26
MAIN BLADE ASSEMBLY / 主旋翼組裝	27
APPLYING DECALS (US MARINE SAR) / 機身貼紙 (美國海軍搜救隊塗裝)	28
APPLYING DECALS (GERMANY HEER) / 機身貼紙 (德國陸軍塗裝)	29
APPLYING DECALS (US Army) / 機身貼紙 (美軍塗裝)	30
UH-1 CONVERSION KIT SPARE PARTS / 維修零件包	31
ACCESSORIES / 附屬配件	33
UH-1 CONVERSION KIT SPARE PARTS LIST / 維修零件包表格	34
SPECIFICATION / 規格、FEATURES / 特點	38
E325 ELECTRIC HELICOPTER SERIES / E325電動直昇機系列	39

INTRODUCTION

Thank you for purchasing the Thunder Tiger UH-1 Huey scale helicopter conversion kit. This conversion kit is designed especially for mini Titan E325. The PVC body are included in the kit. There are clear body and 2 types of painting scheme for your choices. You need to disassemble the original E325 first then follow the assembly steps to get the UH-1 ready. Please retain the user manual in case you need it for any information or reference.

NOTICE

1. R/C models are not toys. This product is a high-precision flying machine. Possibilities of unexpected crashes may occur due to electronic interference, incorrect operation, or poor mechanical maintenance. Although it is a small-sized helicopter, the rotor blades rotate at high speeds, which may cause serious damage, injury, or death if the model hits people or property. Therefore, extreme caution must be exercised during operation.
2. Thunder Tiger ensures parts packaged in this product is of the highest quality. However, after assembly and usage, parts damaged due to wear or misuse will not be replaced under any circumstances. If you have any questions regarding its operation and repair, Thunder Tigers service agents are able to provide free technical guidance.
3. This product is only recommended for users ages 16 and up. Because flying a R/C helicopter is difficult, beginners must receive guidance and supervision from experienced pilots to minimize unexpected danger. Practice in spacious areas, far away from obstacles such as buildings, trees, electrical towers, or crowds.
4. To decrease the cost of repair and maintenance for beginners, it is recommended to fly the helicopter with a practice rack and to learn basic flying skills with a computer R/C flying simulator. (Crashes in simulators are free to repair!)

Operating a model helicopter requires a high degree of responsibility and skill. If you are a newcomer to the hobby, it is best to seek help and guidance from accomplished model helicopter pilots. This will greatly speed up the learning process and have you flying successfully in a reasonable amount of time. We also would strongly urge you to join the Academy of Model Aeronautics. The AMA is a non-profit organization that provides its members with a liability insurance plan as well as monthly magazine entitled Model Aviation. All AMA charter aircraft clubs require all pilots to hold a current AMA sporting license prior to operation of their models at club fields.

For further information, contact the AMA at:
Academy of Model Aeronautics
5151 East Memorial Drive
Muncie, IN 47302
(317) 287-1256

簡介

感謝您購買雷虎科技出品的UH-1像真機升級套件。它是專門為mini Titan E325所設計的像真機殼，套件裡面包含了PVC材質的像真機身。原廠提供透明機身、綠色迷彩及紅白等二種塗裝完成套件以供選購。請詳閱本說明書，以瞭解組裝步驟，並妥善保存本說明書，以備查詢。

注意事項

1. 本項遙控直昇機產品並不是玩具，是一項結構精密、高專業度模型產品，如果未經正確組裝與操控，將可能對操控者或其他人造成身體傷害。使用者必須了解，若未確實進行飛行前安全檢查或操控不，而造成人員受傷或物體損壞，使用者必須負起法律責任。
2. 本產品由高品質零組件組成，雷虎科技對於安裝過程、使用過後..等人為因素造成損壞事件不負損壞賠償之責。如您需要本產品相關組裝、調整或其他協助，可與雷虎科技全省經銷商聯繫。
3. 本項產品禁十六歲以下青少年與孩童使用。強烈建議初學者應取得技術支援後再進行飛行，以避免危險發生。請於空曠地區操控本產品，並避免於建築物、樹、電塔..等障礙物區飛行。
4. 建議初學者可安裝練習架或透過電腦模擬軟體練習，可達實際練習效果與符合經效益。

操控遙控直昇機對於飛行安全要求極高，需要高度的負責任態度配合，以及較高的操控技巧。如果您是初學者，您必須向台灣地區專業模型經銷商，或是台灣地區遙控直昇機相關組織以及經驗豐富的玩家尋求相關協助，以獲得您所需要的訊息以及專業知識。如此可有效協助您縮短學習的時間，更容易學會遙控直昇機的組裝、設定與操控技巧。

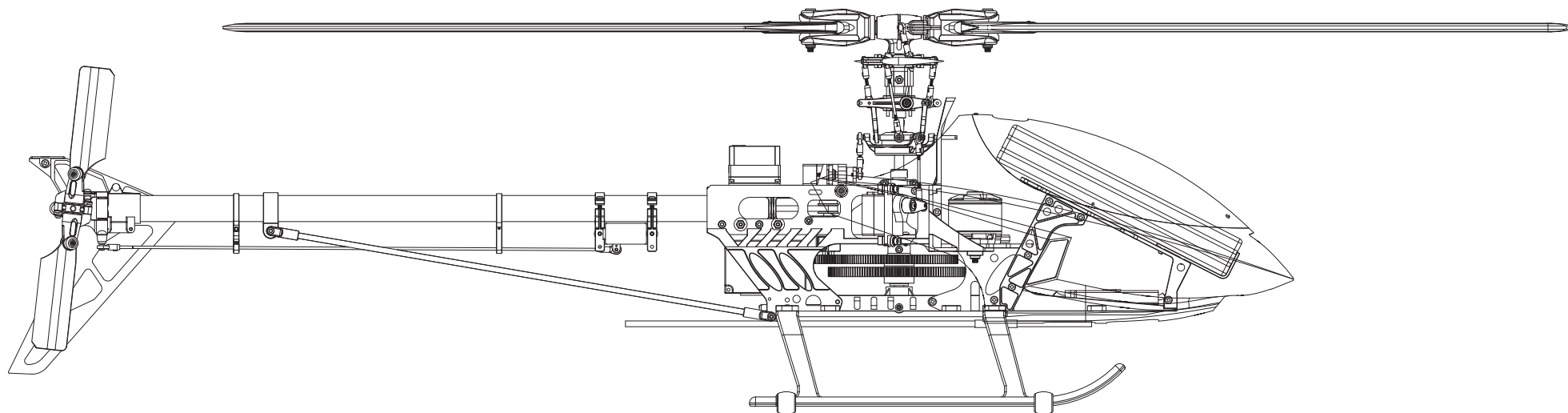
TOOLS REQUIRED FOR ASSEMBLY 組裝工作所需工具



SYMBOLS USED THROUGHOUT THE MANUAL 符號說明

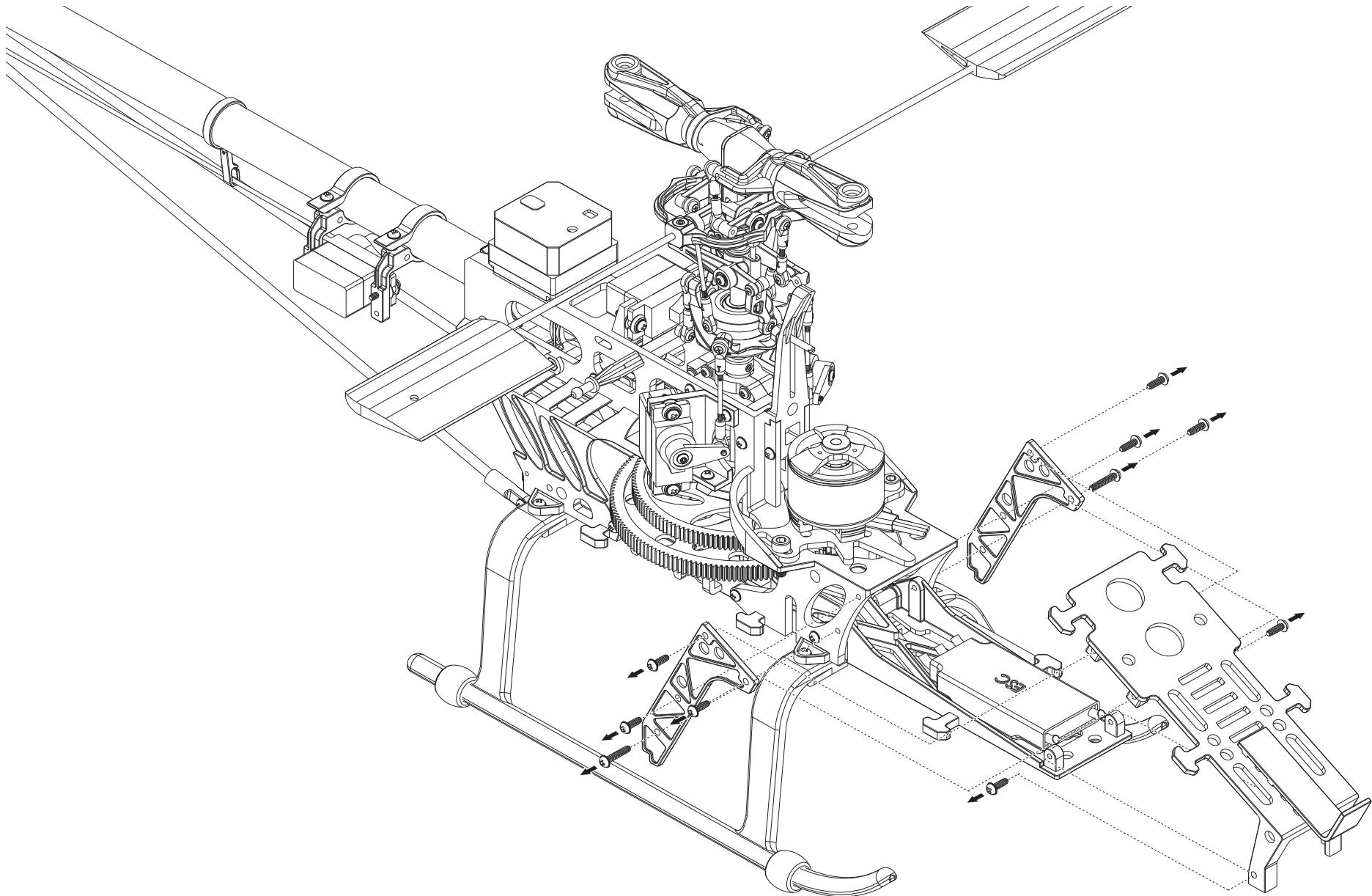


DISASSEMBLY / 原機拆解

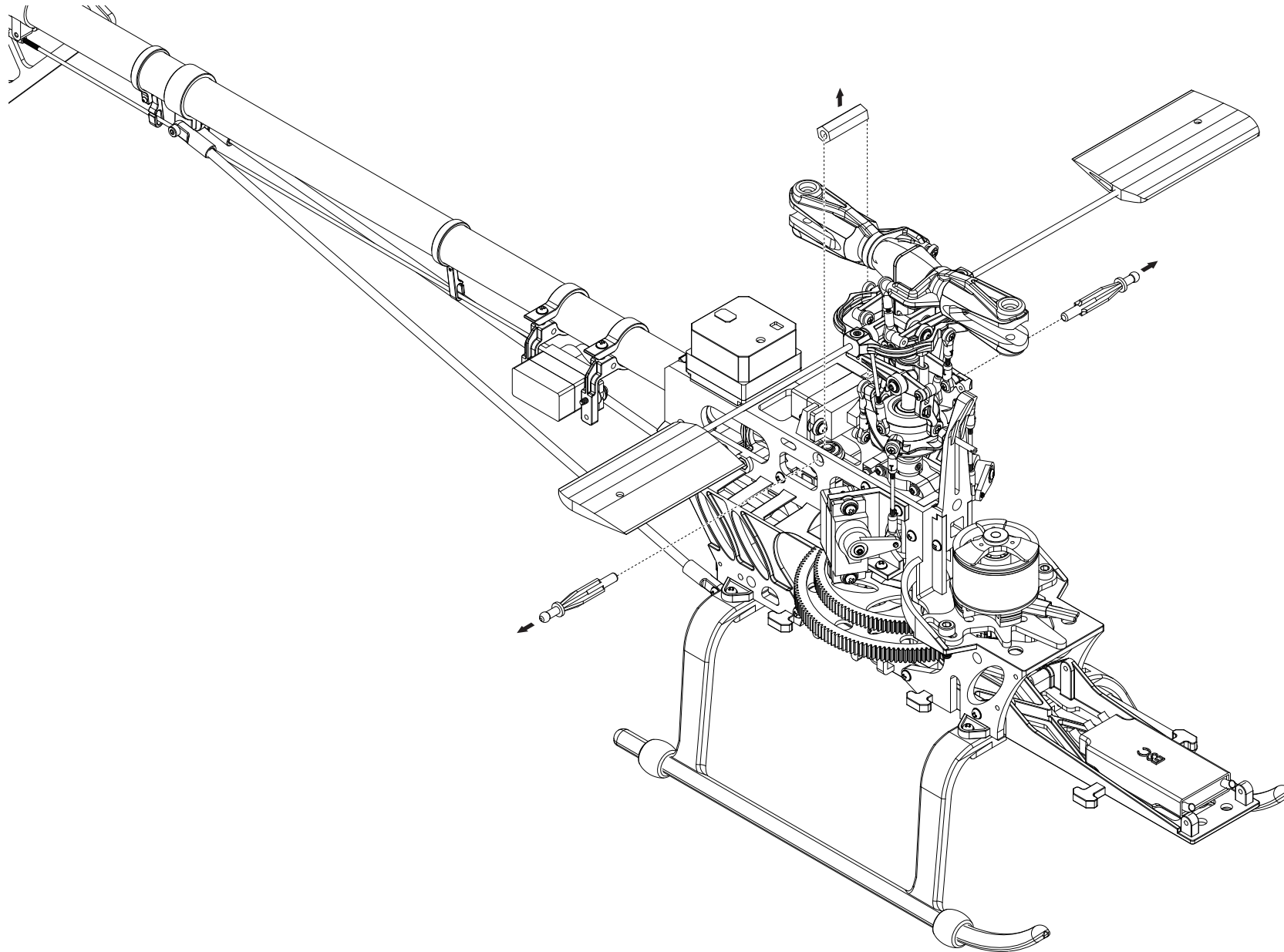


In order to convert the standard E325 into an UH-1 Huey, please follow the steps disassembling the helicopter first. Please collect the disassembled parts and don't get them lost. You need some of them to be the spares.
請依照說明書步驟分解直昇機，並妥善保存解後的零件，其餘零件可做為備品使用。

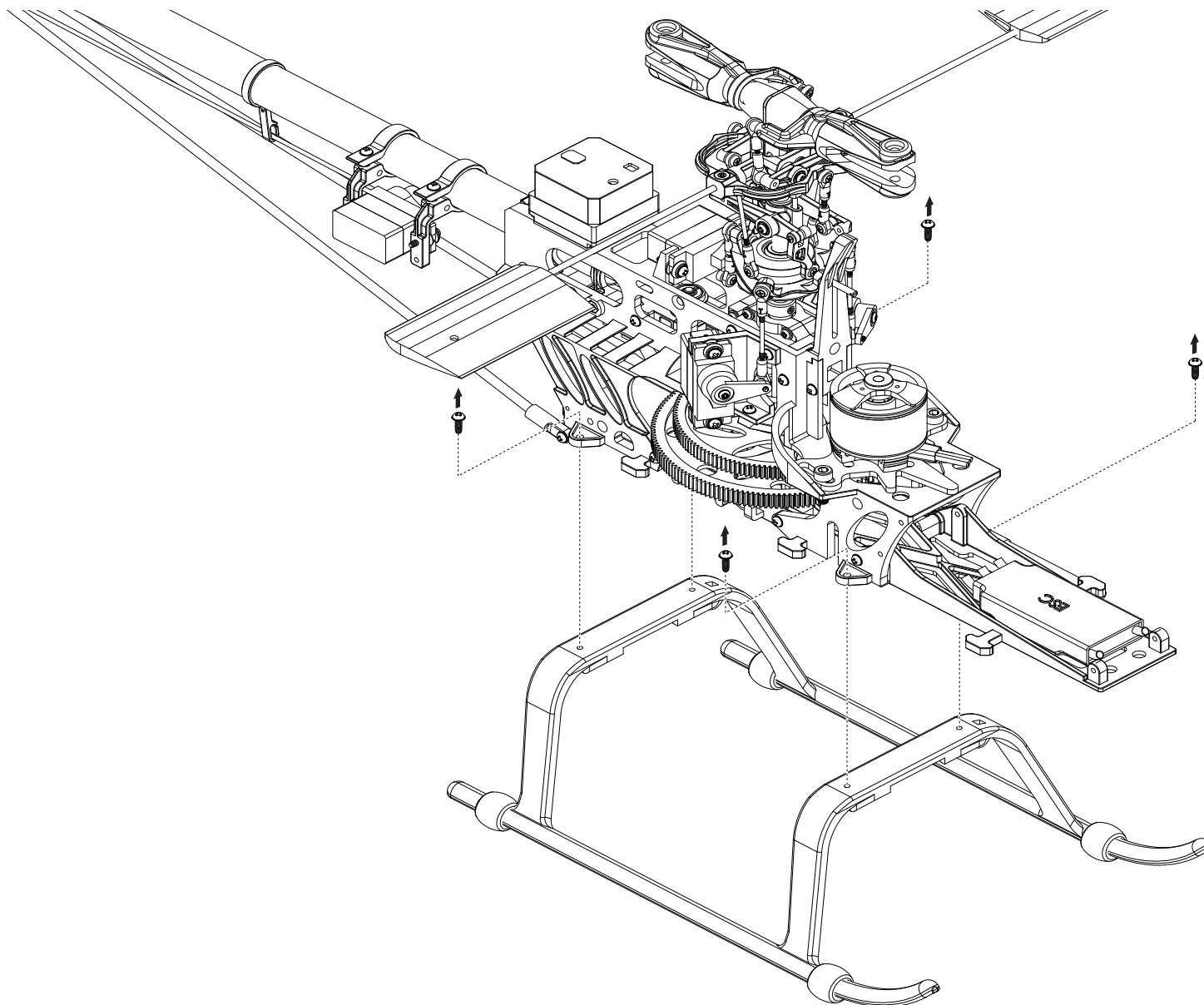
1. BATTERY TRAY DISASSEMBLY / 電池座分解



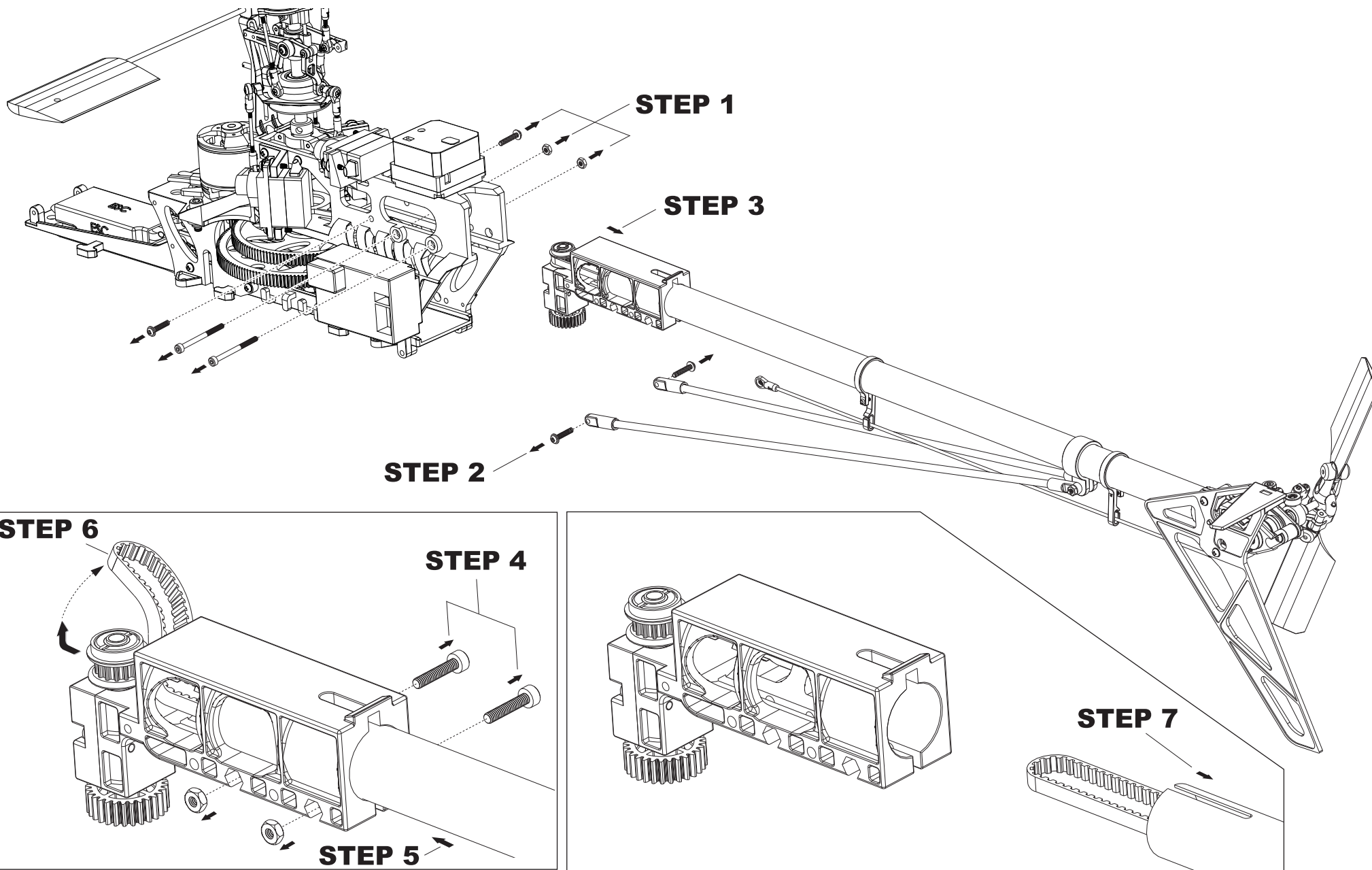
2. CANOPY RETAINING POST DISASSEMBLY / 機殼支柱分解



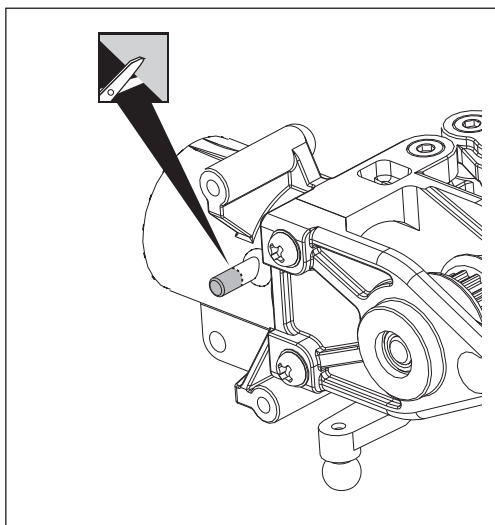
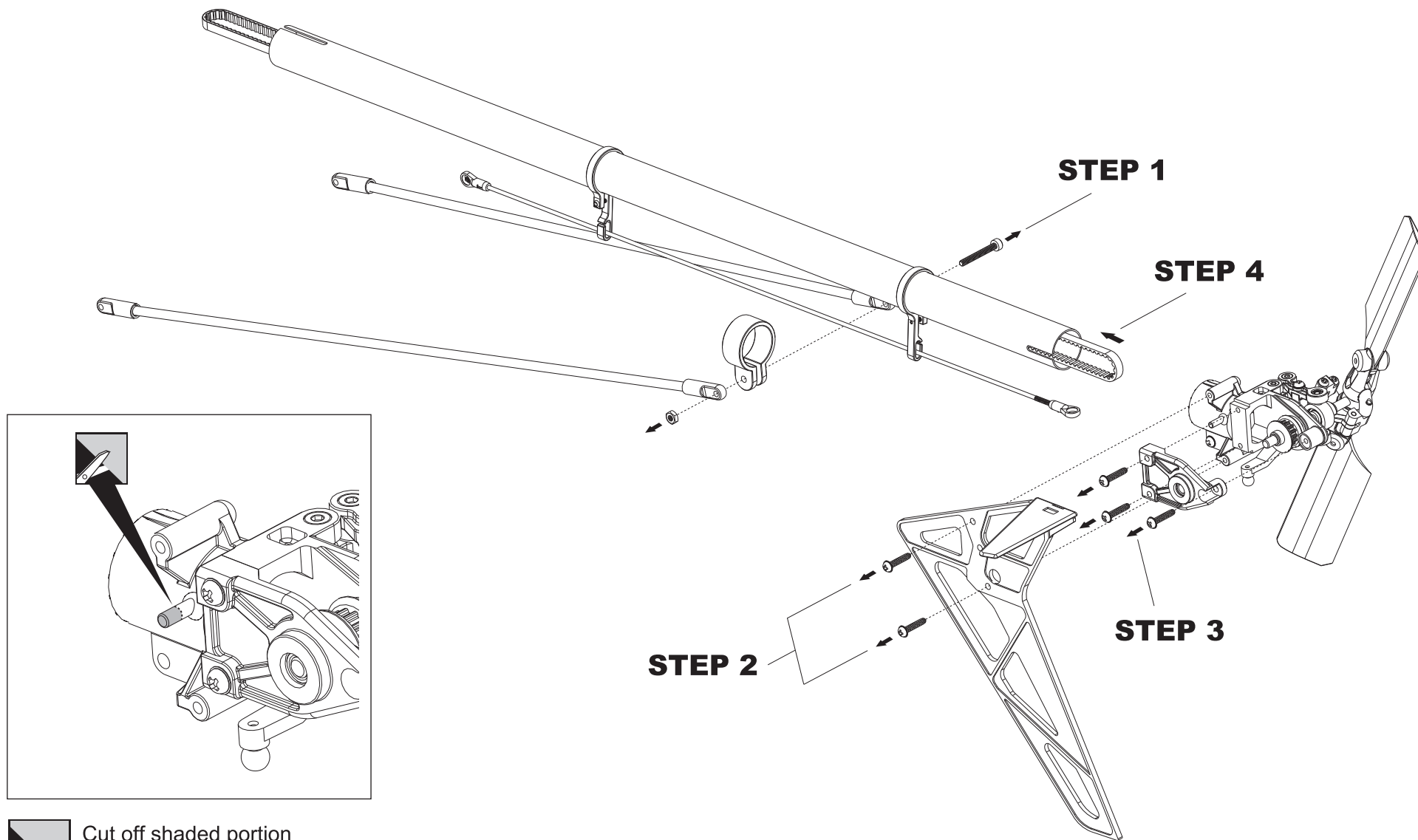
3. LANDING SKID DISASSEMBLY / 腳架分解




4. TAIL DISASSEMBLY / 機尾分解(1)

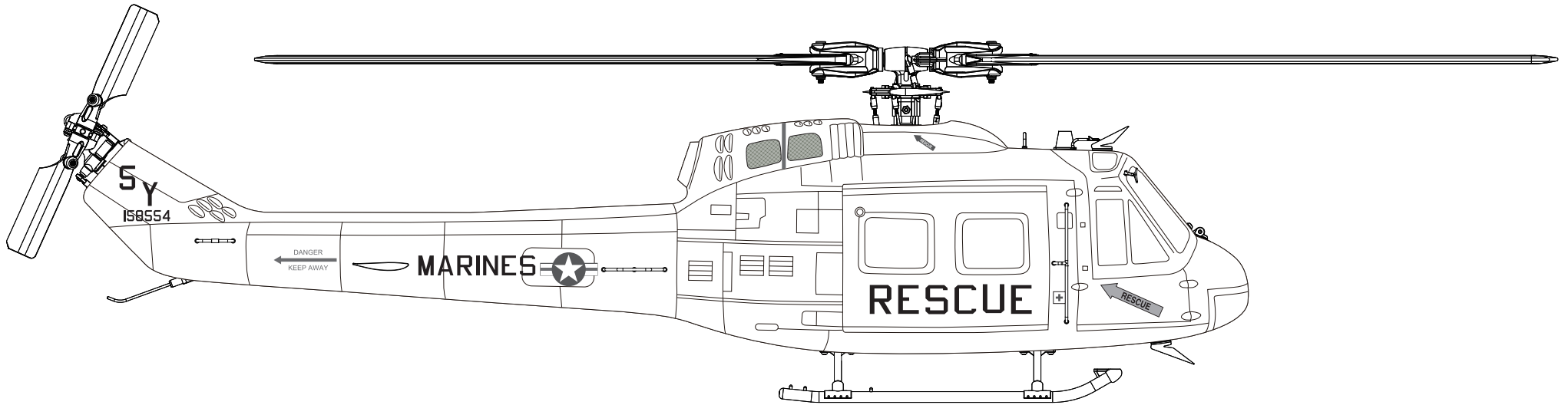


5. TAIL DISASSEMBLY / 機尾分解(2)



 Cut off shaded portion
依標示部分裁切

ASSEMBLY / 組裝



After disassembly please follow the steps to re-build the model. Please also note some of the disassembled parts are necessities.

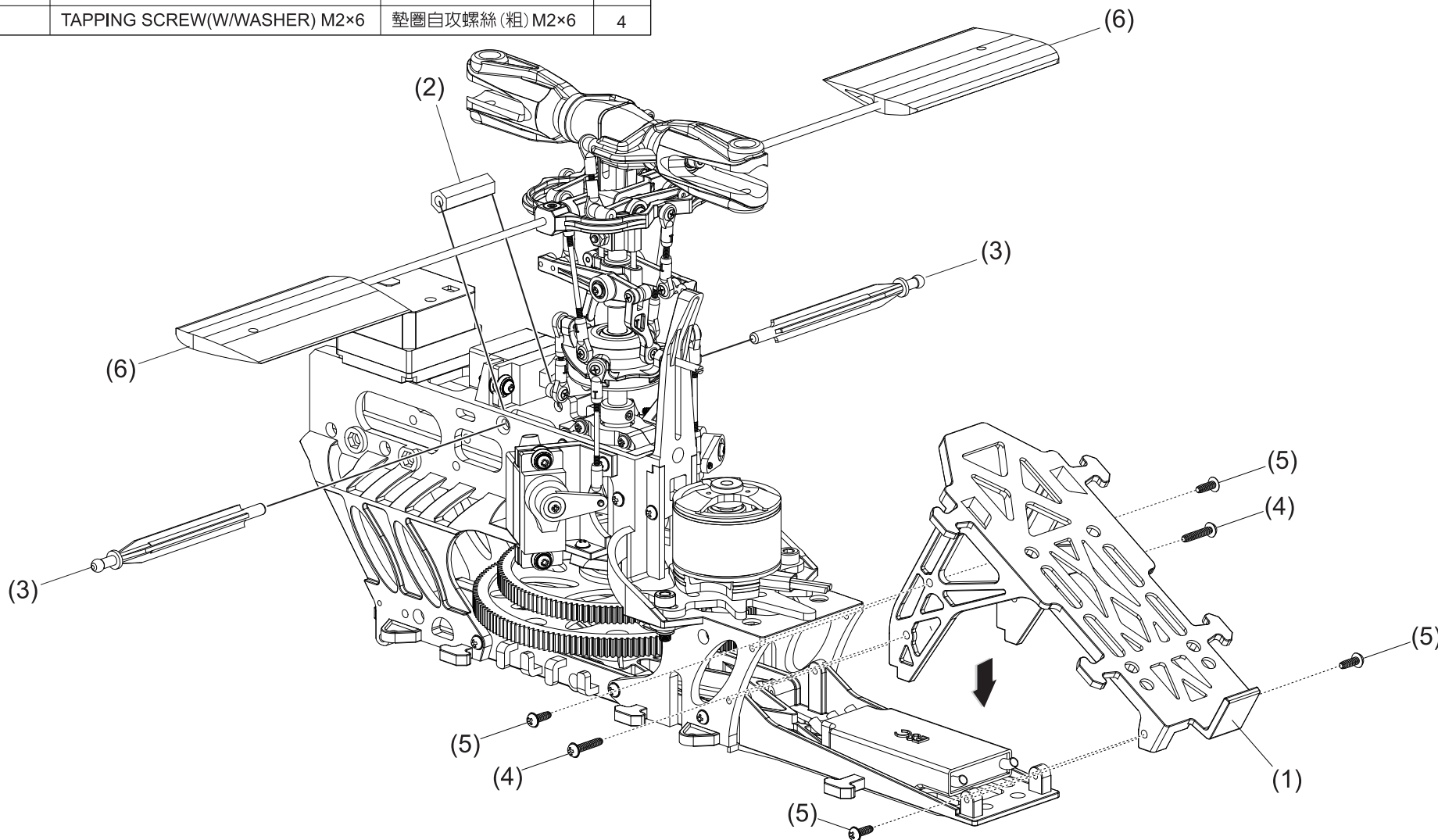
在拆解零件後，請依步驟重新組裝直昇機，請注意部份零件須重覆使用。

UH-1 RETAINING POST & NEW BATTERY TRAY ASSEMBLY / 機殼支柱 & 一體式電池座組裝



No.	Material No.	Description	中文名稱	Qty
1	BK1012	ONE PIECE BATT. TRAY	一體式電池座	1
2	BK1056	SUPPORT POST	六角棒18L	1
3	BK1860	REAR FUSELAGE POST (B)	後機殼支柱	2
4	HNN2-10B	TAPPING SCREW(W/WASHER) M2×10	墊圈自攻螺絲(粗) M2×10	2
5	HNN2-6B	TAPPING SCREW(W/WASHER) M2×6	墊圈自攻螺絲(粗) M2×6	4

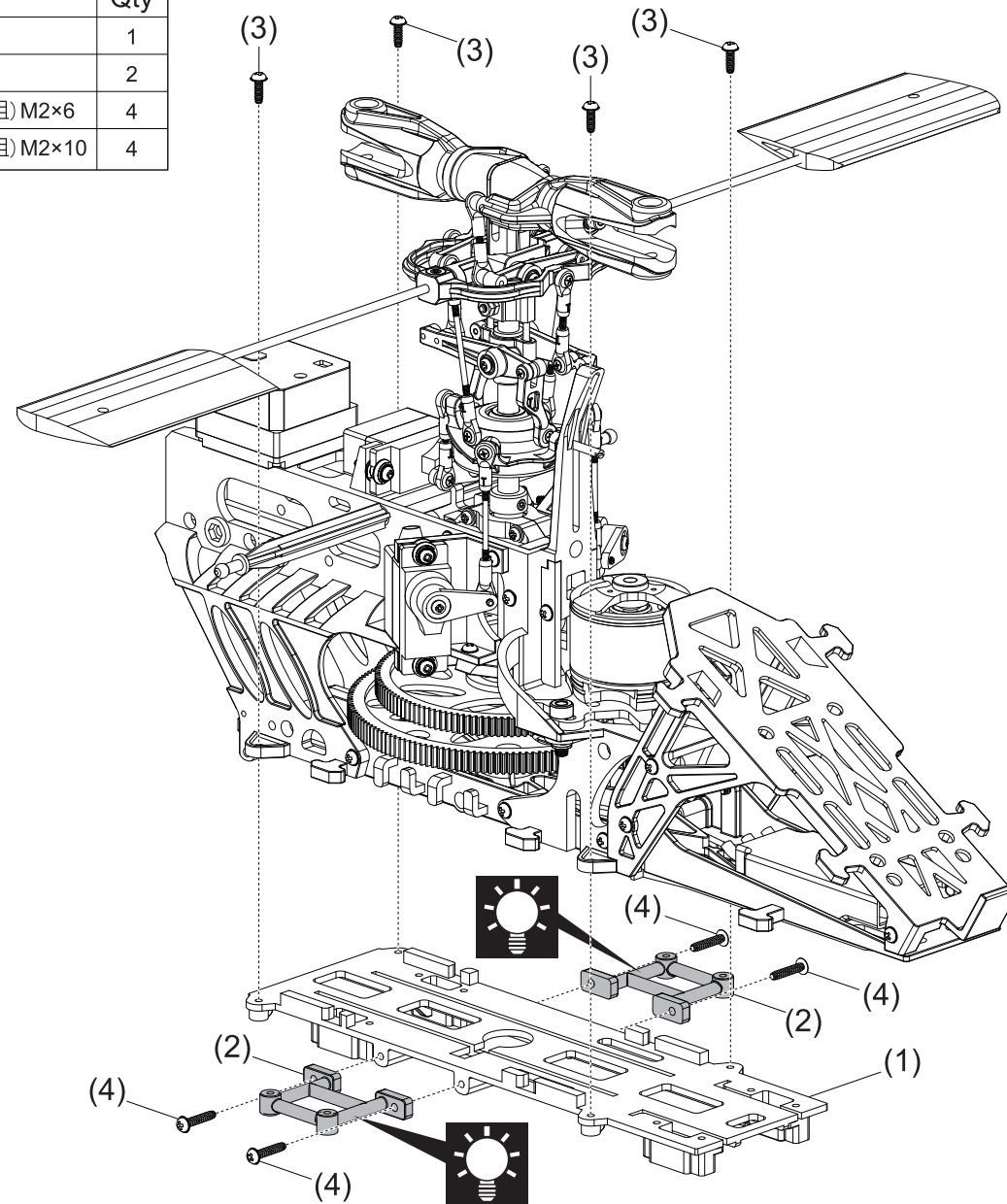
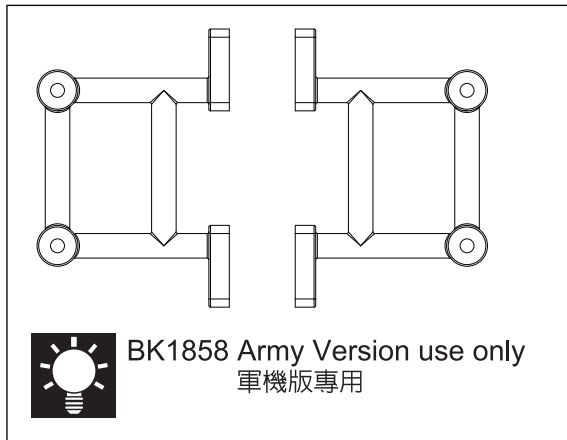
No.	Material No.	Description	中文名稱	Qty
6	BK0941-B	TAIL BLADE (BLACK)	尾旋翼 (黑色)	2



LANDING SKID CONVERSION KIT ASSEMBLY / 腳架轉接座 & 機身下支架組裝



No.	Material No.	Description	中文名稱	Qty
1	BK1855	SKID HUB	腳架轉接座	1
2	BK1858	BASE RACK	機身下支架	2
3	HNN2-6B	TAPPING SCREW(W/WASHER) M2×6	墊圈自攻螺絲(粗) M2×6	4
4	HNN2-10B	TAPPING SCREW(W/WASHER) M2×10	墊圈自攻螺絲(粗) M2×10	4



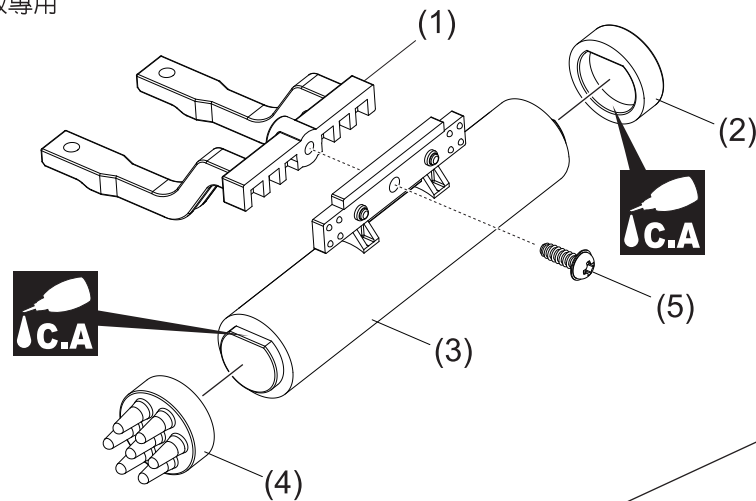
WEAPON PARTS ASSEMBLY / 武器配件 & 尾翼防撞桿組裝



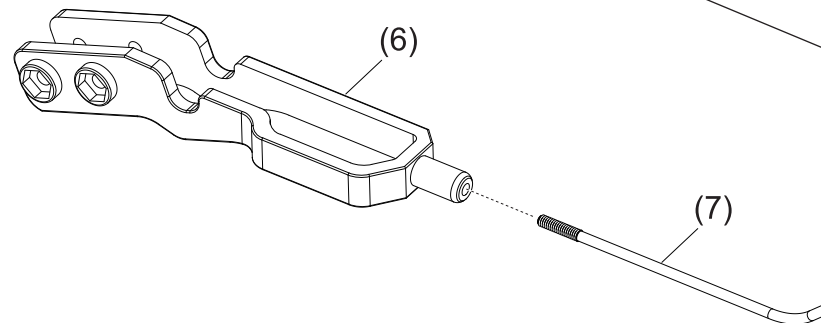
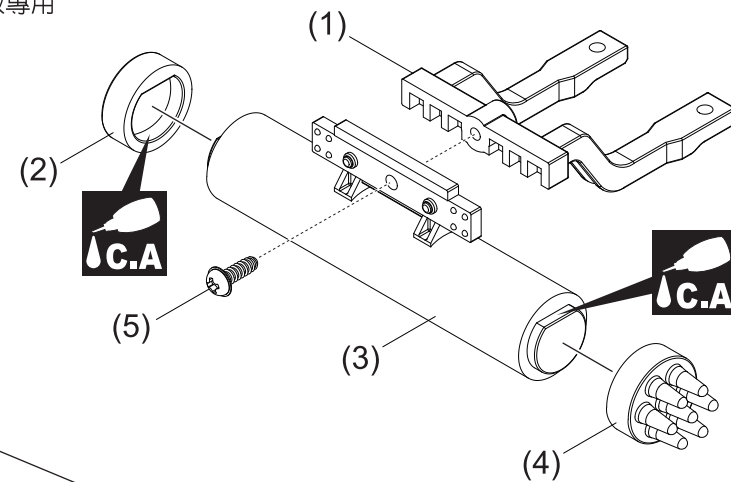
No.	Material No.	Description	中文名稱	Qty
1	BK1854	WEAPON HUB	連接座	2
2	BK1849	MISSILE REAR CAP	飛彈後蓋	2
3	BK1847	MISSILE BRACKET	飛彈架	2
4	BK1848	MISSILE FRONT CAP	飛彈前蓋	2

No.	Material No.	Description	中文名稱	Qty
5	HNN2-6B	TAPPING SCREW(W/WASHER) M2×6	墊圈自攻螺絲(粗) M2×6	2
6	BK1864	TAIL SKID BASE	尾翼防撞桿座	1
7	BK1865	TAIL SKID	尾翼防撞桿	1

Army Version use only
軍用版專用



Army Version use only
軍用版專用



 Apply C.A Glue
使用快乾膠黏合

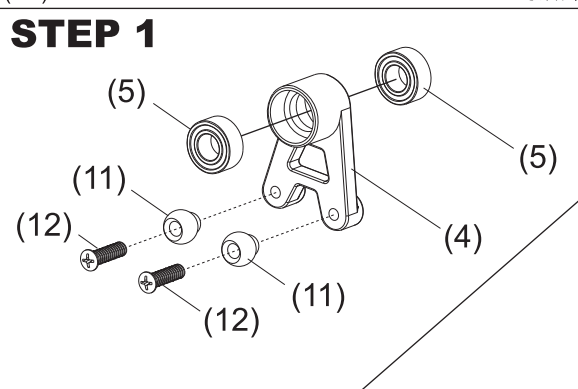
TAIL TRANSMISSION ASSEMBLY / 尾傳動機構組裝(1)



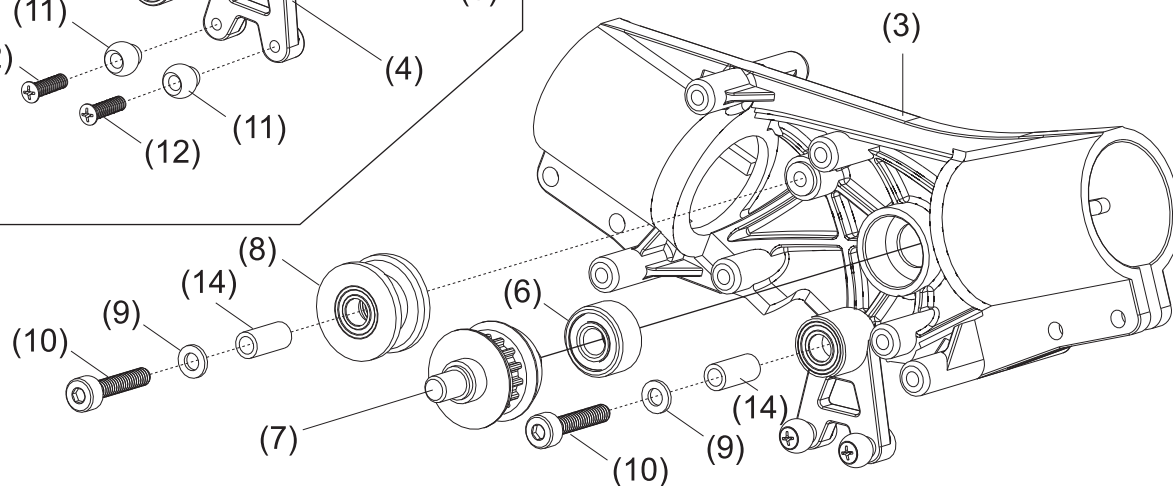
No.	Material No.	Description	中文名稱	Qty
1	BK1528	BELT MXL-3t (448T)	皮帶 (448T)	1
2	HNN2-10B	TAPPING SCREW (W/WASHER) M2X10	墊圈自攻螺絲(粗) M2X10	2
3	BK1458	GEAR BOX	轉向座	1
4	BK1460	V-BAR	球頭轉接座	1
5	HMV630ZZY	BEARING d3xD6xW2.5	滾珠軸承 d3xD6xW2.5	2
6	HMV830ZZY	BEARING d3xD8xW4	滾珠軸承 d3xD8xW4	1
7	BV1464	PULLEY SET	轉向皮帶輪組	1
8	BV1461	GUIDE PULLEY SET	導輪組	1
9	BK1481	WASHER d2xD3.7xt0.5	墊片 d2xD3.7xt0.5	2
10	HMC2-10B	SOCKET SCREW M2x10	內六角螺絲 M2x10	2
11	BK1203	LINKAGE BALL (D3.8)	連接頭 (D3.8)	2
12	HSP16-6N	COUNTERSUNK SCREW M1.6x6	圓頭十字螺絲 M1.6x6	2
13	BK1466	TAIL BOOM-B (52mm)	尾管B (52mm)	1
14	BK1498	COLLAR d2xD3xW6.3	軸套 d2xD3xW6.3	2
15	BK0961-B	TAIL BLADE (BLACK)	尾旋翼 (黑色)	2

(*) ORIGINAL PARTS FROM YOUR OWN E325 / 原機零件

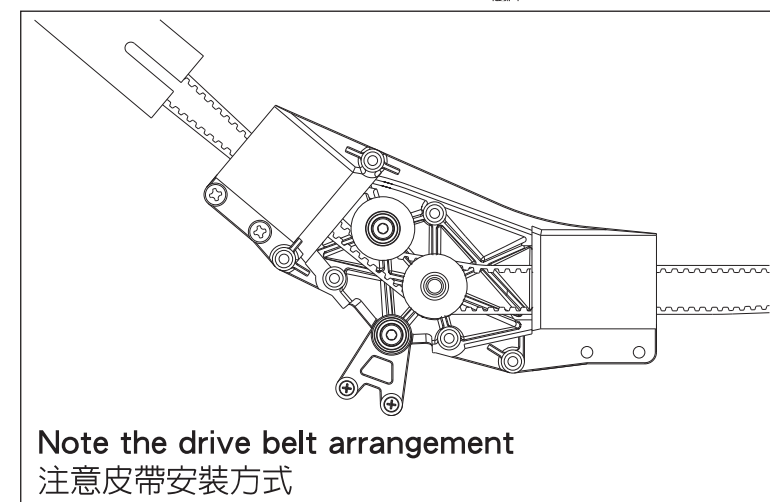
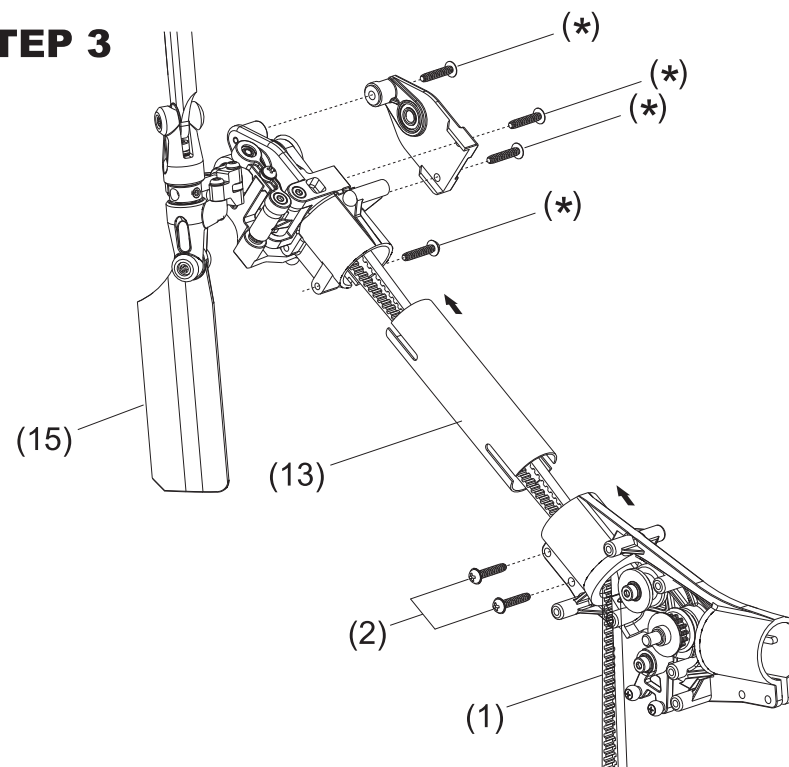
STEP 1



STEP 2



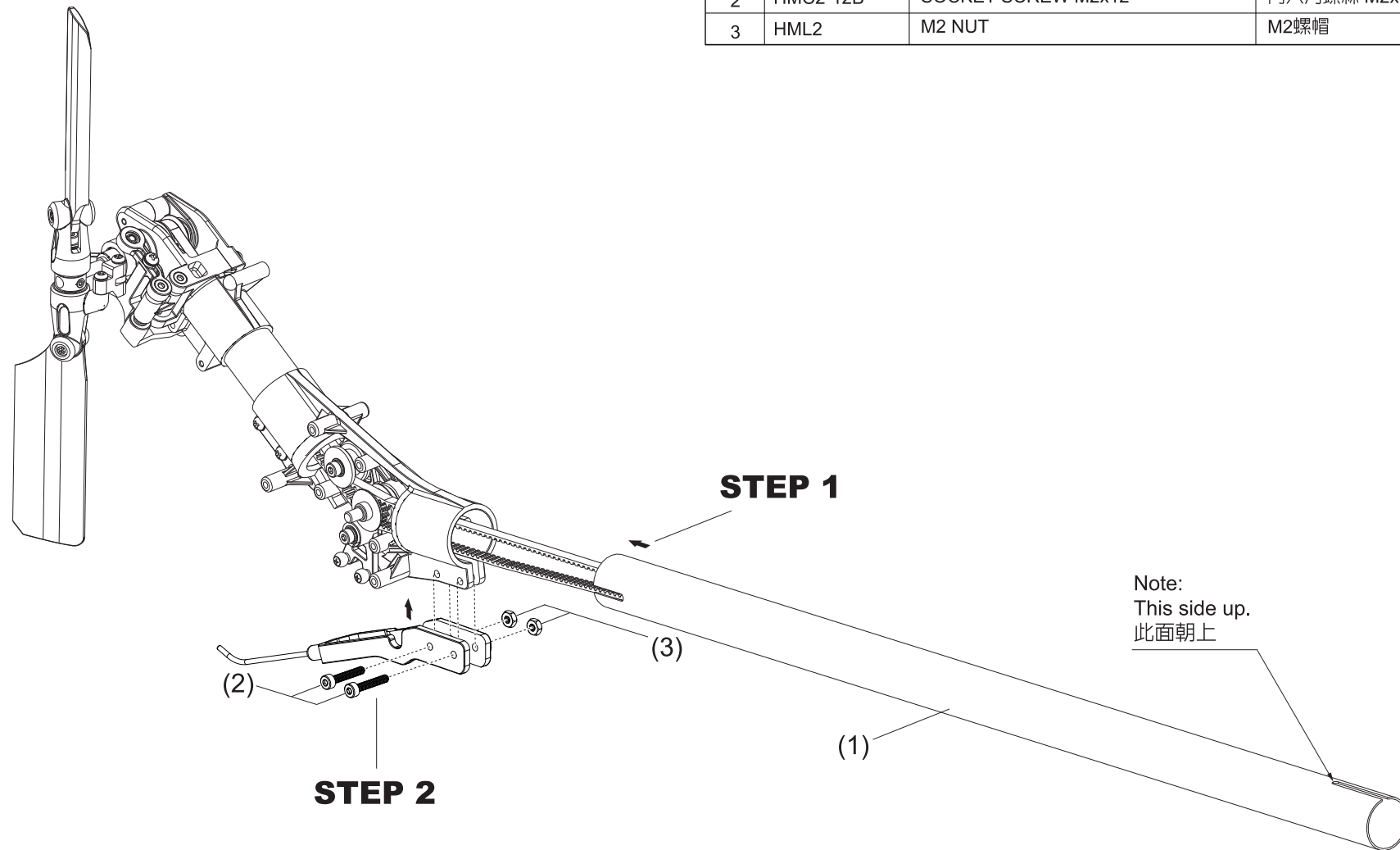
STEP 3



TAIL TRANSMISSION ASSEMBLY / 尾傳動機構組裝(2)



No.	Material No.	Description	中文名稱	Qty
1	BK1465	TAIL BOOM-A (300mm)	尾管A (300mm)	1
2	HMC2-12B	SOCKET SCREW M2x12	內六角螺絲 M2x12	2
3	HML2	M2 NUT	M2螺帽	2

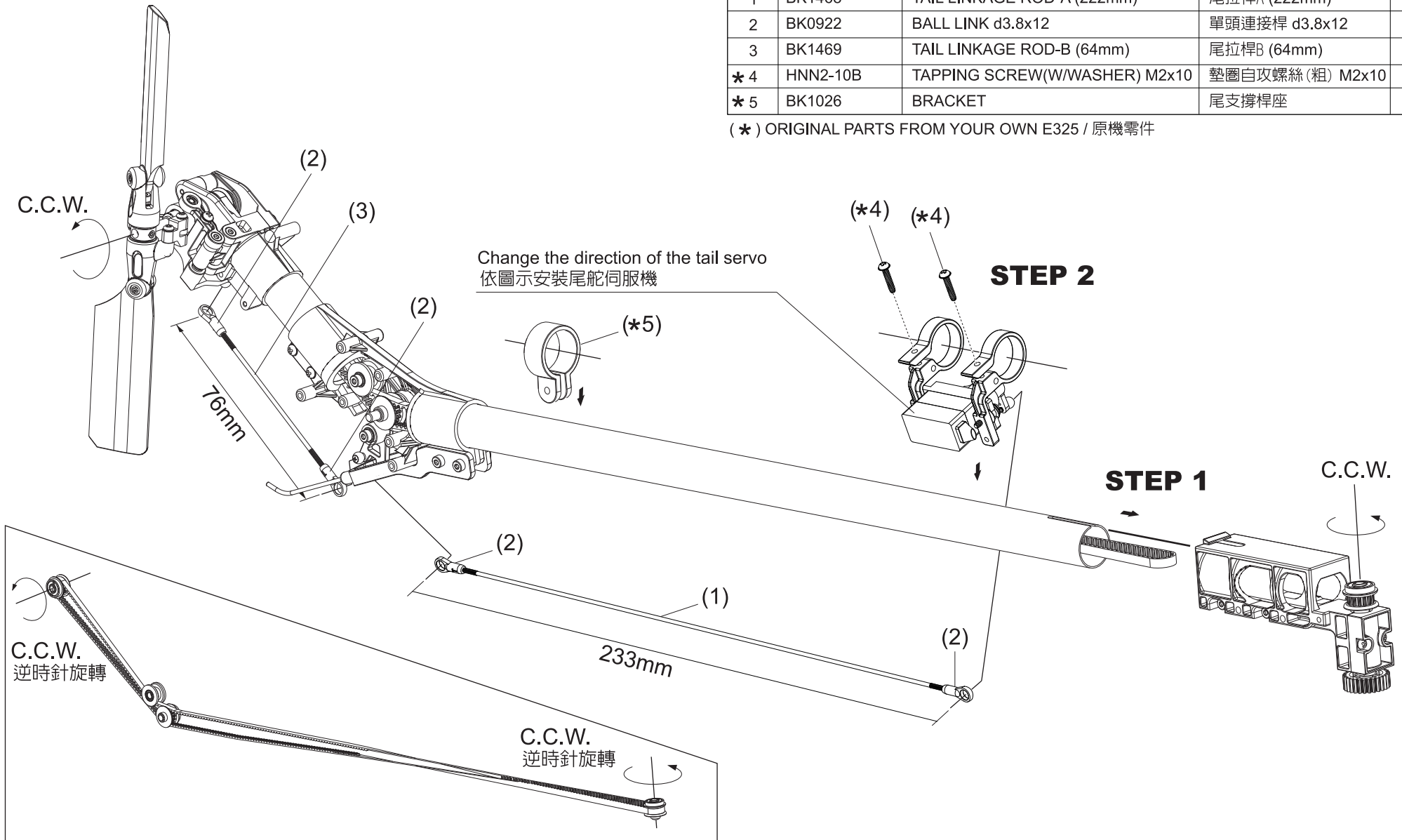


TAIL TRANSMISSION ASSEMBLY / 尾傳動機構組裝(3)



No.	Material No.	Description	中文名稱	Qty
1	BK1468	TAIL LINKAGE ROD-A (222mm)	尾拉桿A (222mm)	1
2	BK0922	BALL LINK d3.8x12	單頭連接桿 d3.8x12	4
3	BK1469	TAIL LINKAGE ROD-B (64mm)	尾拉桿B (64mm)	1
* 4	HNN2-10B	TAPPING SCREW(W/WASHER) M2x10	墊圈自攻螺絲(粗) M2x10	2
* 5	BK1026	BRACKET	尾支撐桿座	1

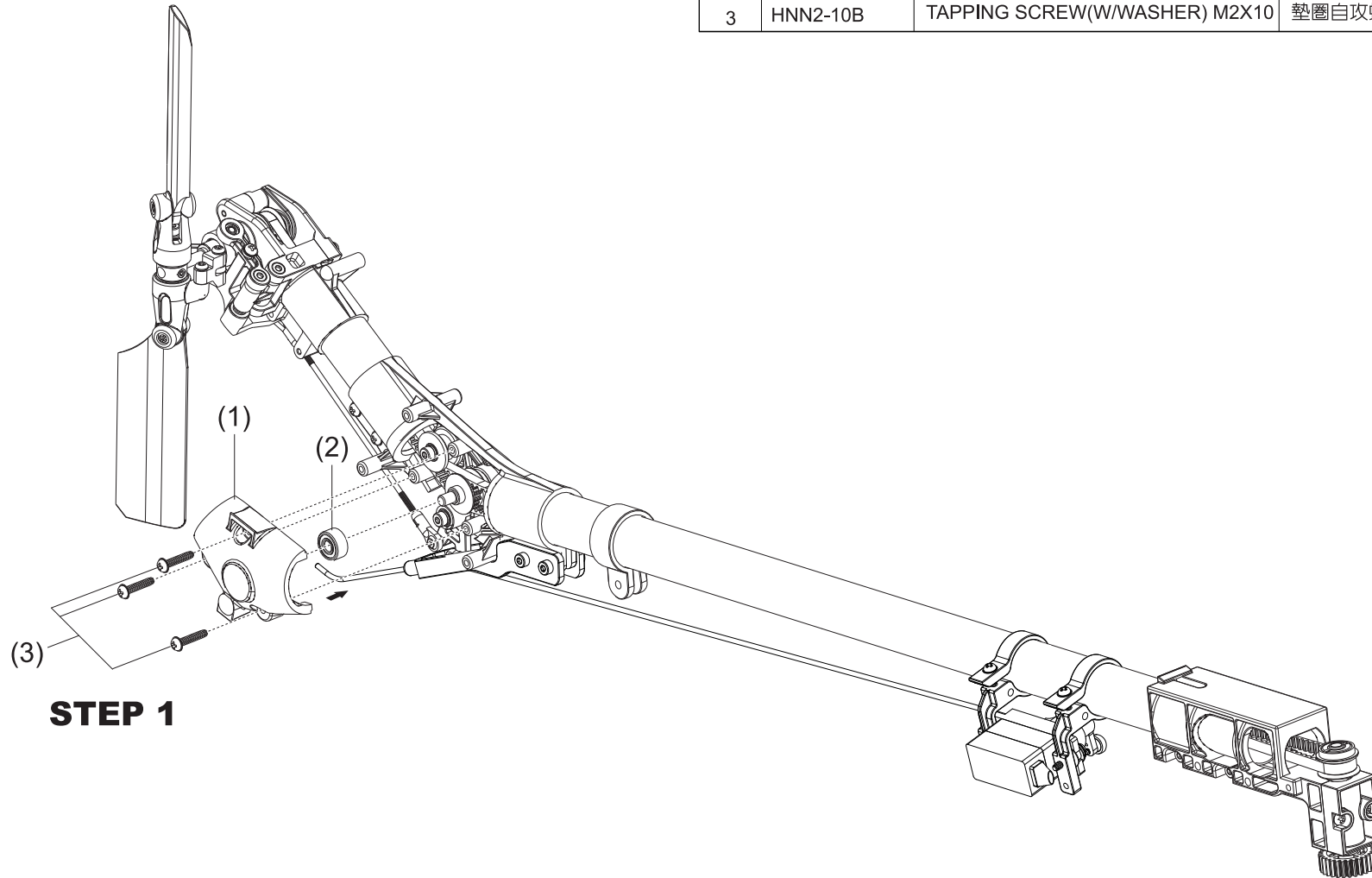
(*) ORIGINAL PARTS FROM YOUR OWN E325 / 原機零件



TAIL TRANSMISSION ASSEMBLY / 尾傳動機構組裝(4)



No.	Material No.	Description	中文名稱	Qty
1	BK1459	GEAR BOX COVER	轉向座側蓋	1
2	HMV830ZZY	BEARING d3xD8xW4	滾珠軸承 d3xD8xW4	1
3	HNN2-10B	TAPPING SCREW(W/WASHER) M2X10	墊圈自攻螺絲(粗) M2X10	3

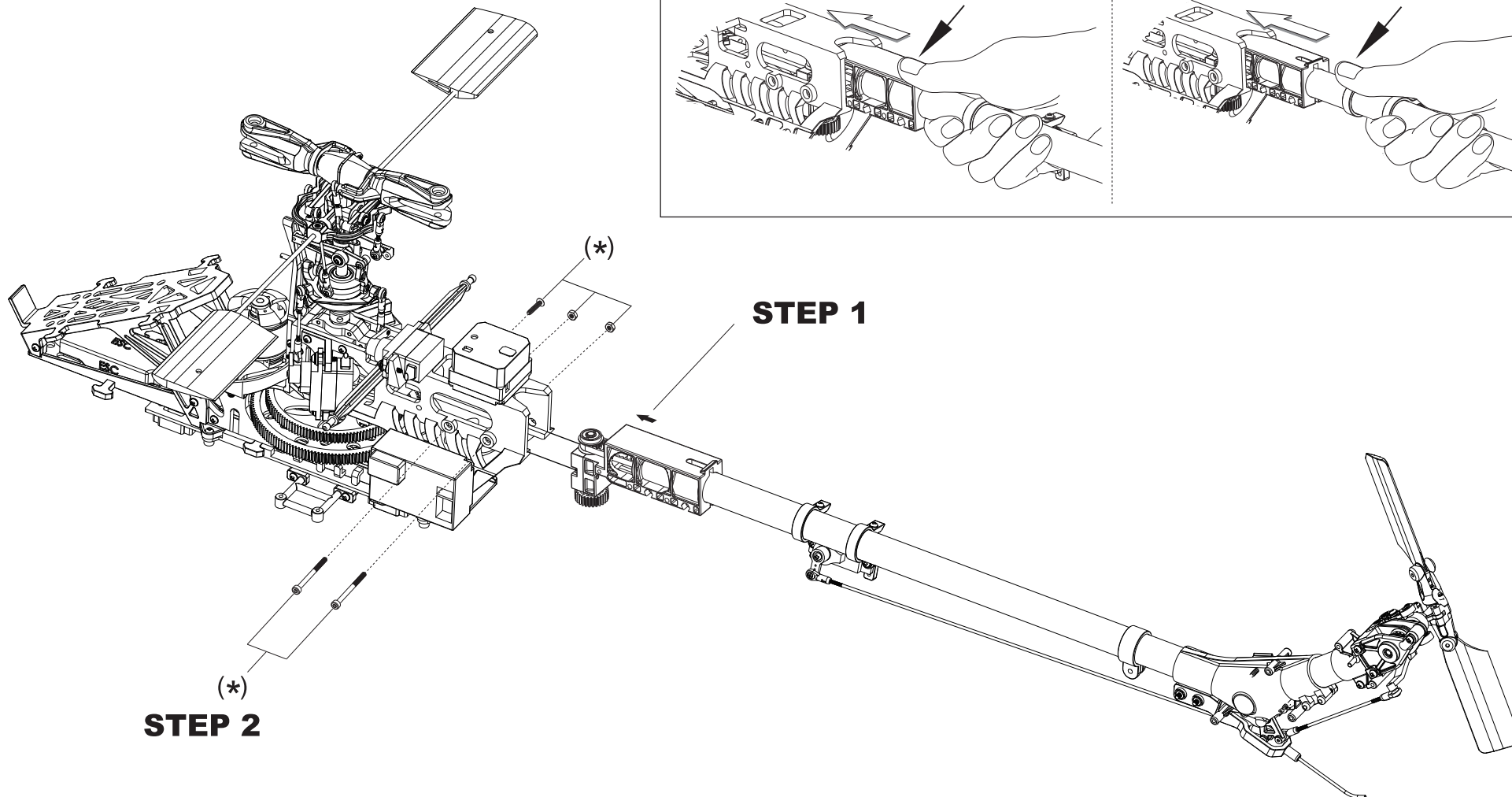
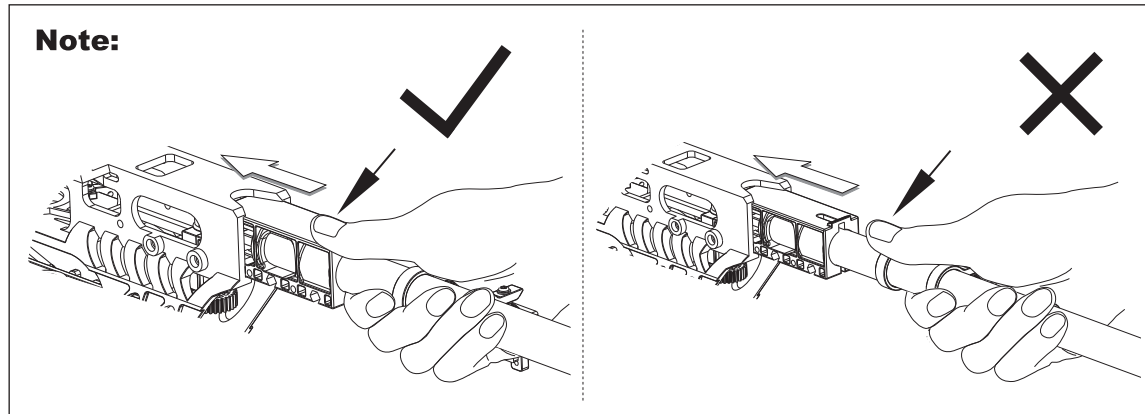


STEP 1

TAIL TRANSMISSION ASSEMBLY / 尾傳動機構組裝(5)



(*) ORIGINAL PARTS FROM YOUR OWN E325 / 原機零件



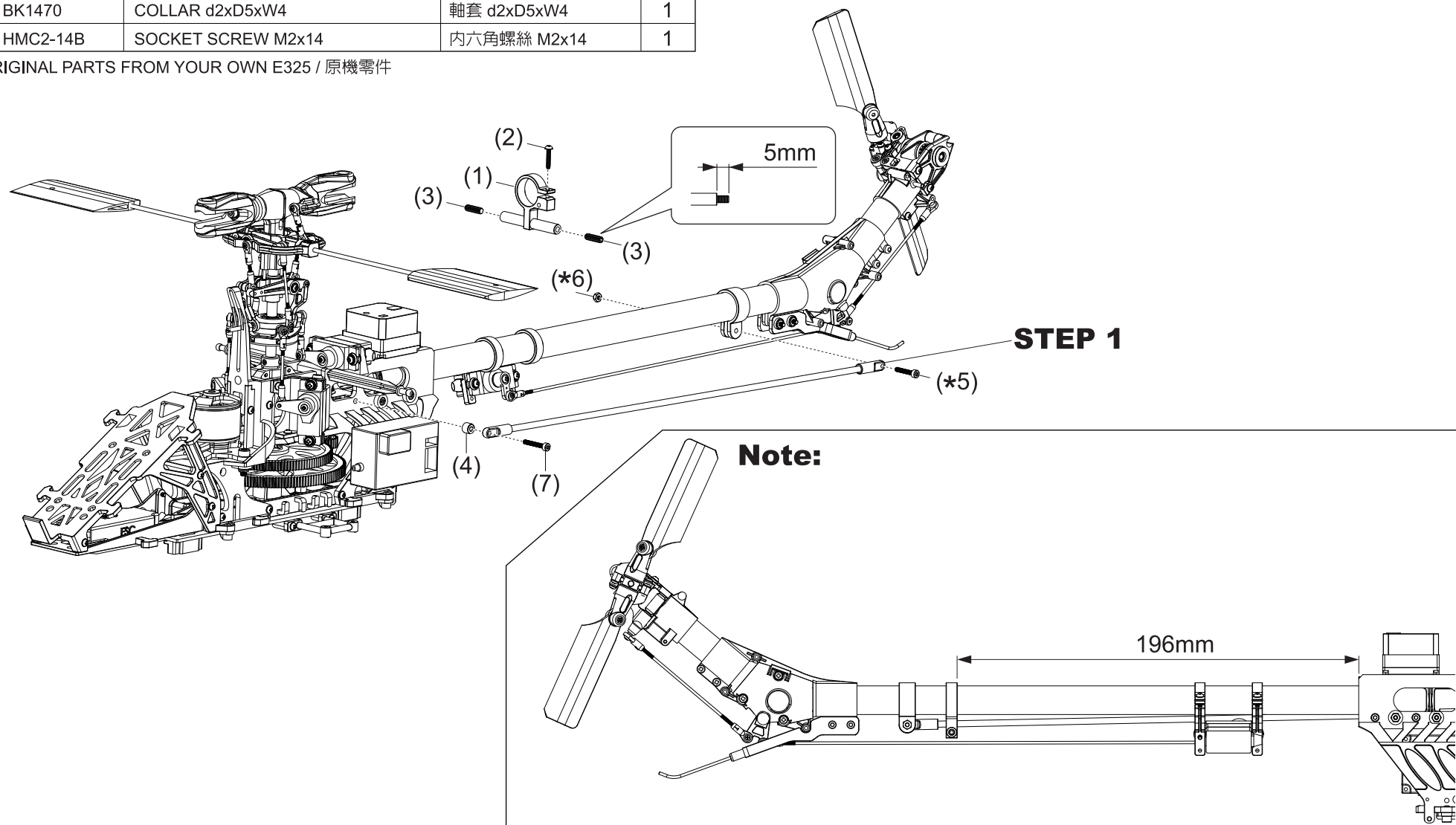
TAIL & H-FIN BRACKET ASSEMBLY / 水平尾翼支架及尾傳動機構組裝



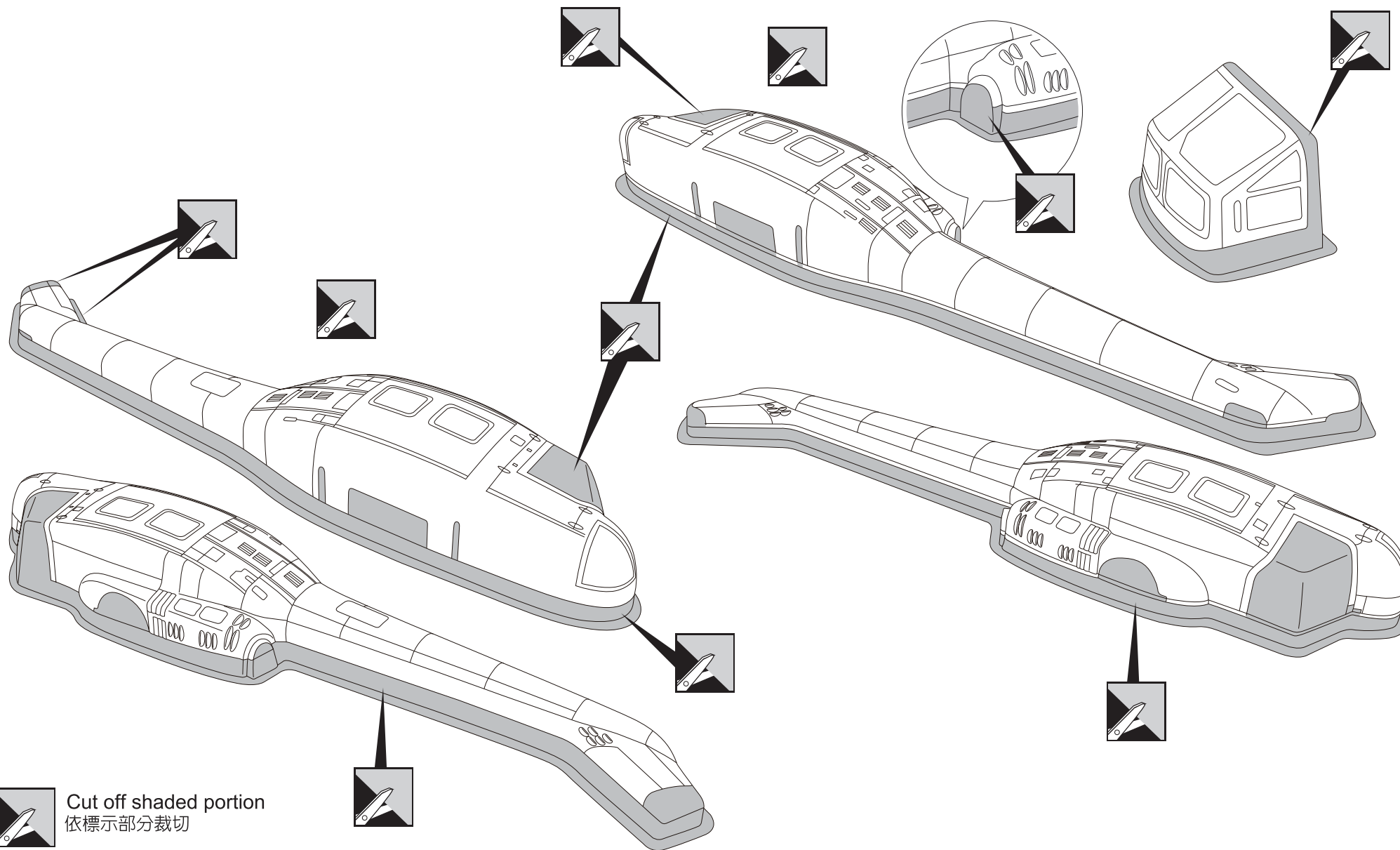
No.	Material No.	Description	中文名稱	Qty
1	BK1861	H. FIN BRACKET	水平尾翼支架	1
2	HNN2-10B	TAPPING SCREW(W/WASHER) M2×10	墊圈自攻螺絲(粗) M2×10	1
3	HME3-10B	SET SCREW (M3×10)	無頭內六角螺絲 (M3×10)	2
4	BK1470	COLLAR d2xD5xW4	軸套 d2xD5xW4	1
*5	HMC2-14B	SOCKET SCREW M2x14	內六角螺絲 M2x14	1

No.	Material No.	Description	中文名稱	Qty
*6	HML2	M2 NUT	M2螺帽	1
7	HMC2-14B	SOCKET SCREW M2x14	內六角螺絲 M2x14	1

(*) ORIGINAL PARTS FROM YOUR OWN E325 / 原機零件



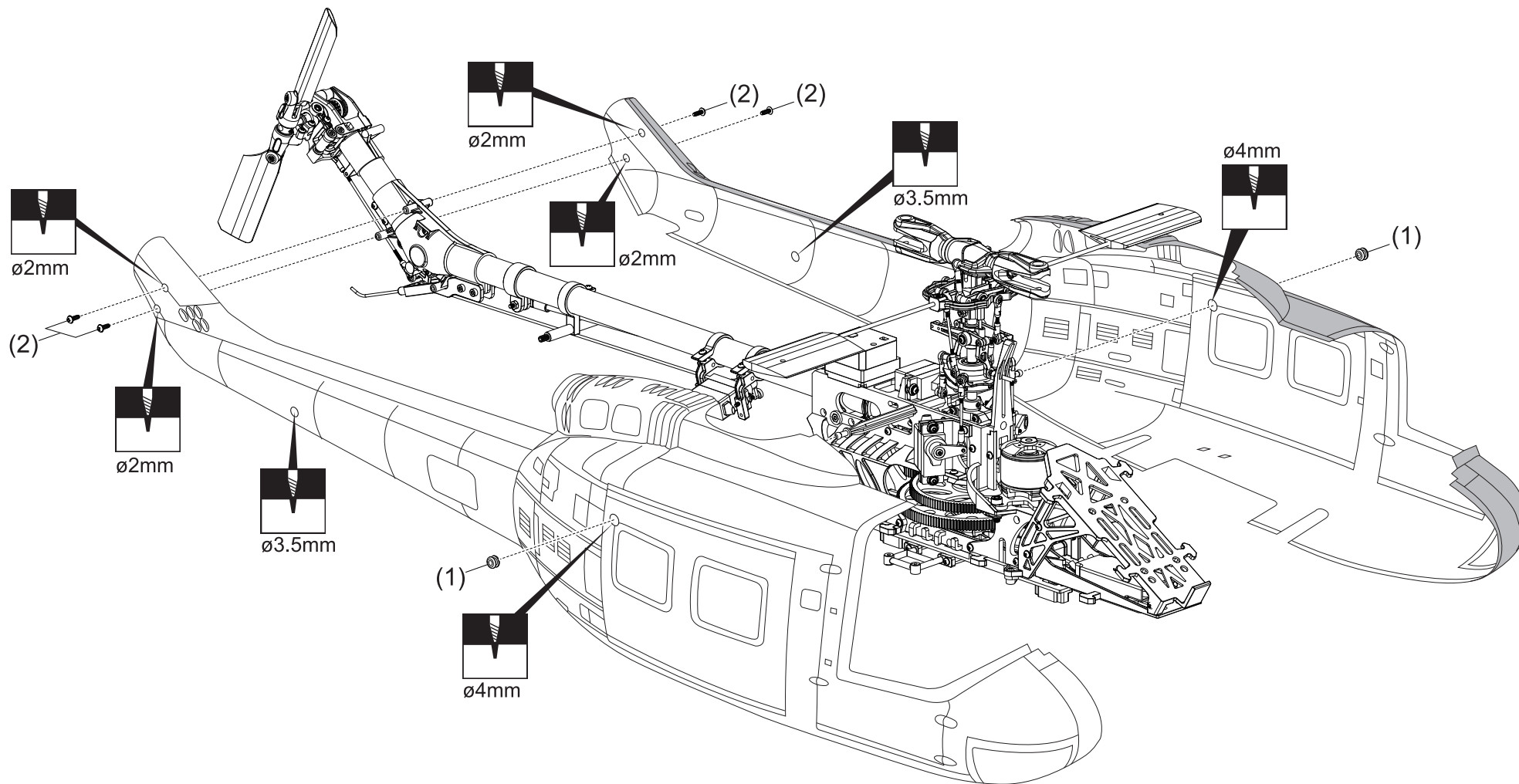
FUSELAGE CUTTING / 機身剪裁




FUSELAGE ASSEMBLY / 左右機殼鎖固 (1)



No.	Material No.	Description	中文名稱	Qty
1	BK1002	RUBBER GROMMET	機身固定墊圈	2
2	HNN2-6B	TAPPING SCREW(W/WASHER) M2×6	墊圈自攻螺絲(粗) M2×6	4

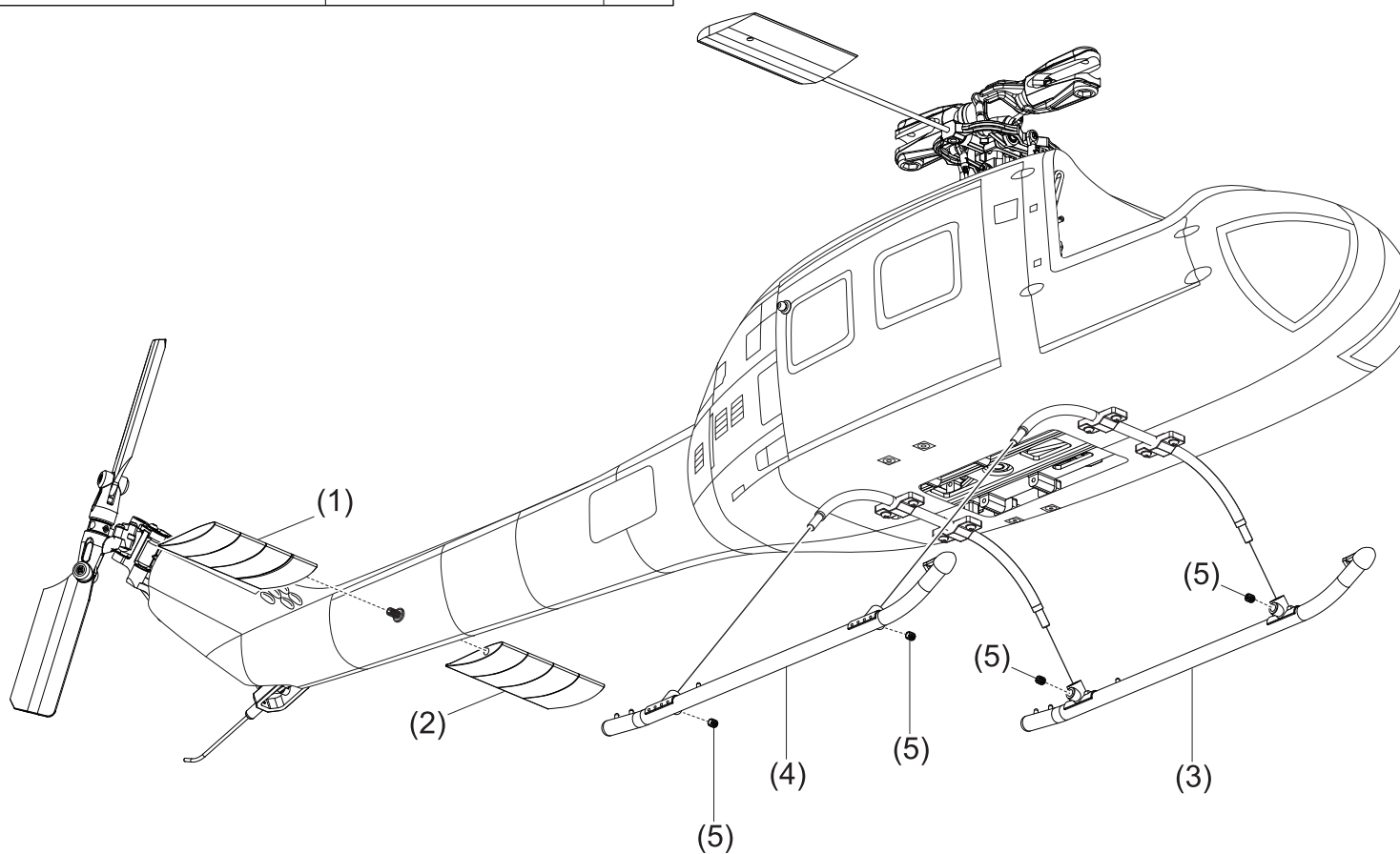


 Drill holes with the specified diameter
 依標示尺寸鑽孔

LANDING SKID & H-FIN ASSEMBLY / 腳架 & 水平尾翼組裝



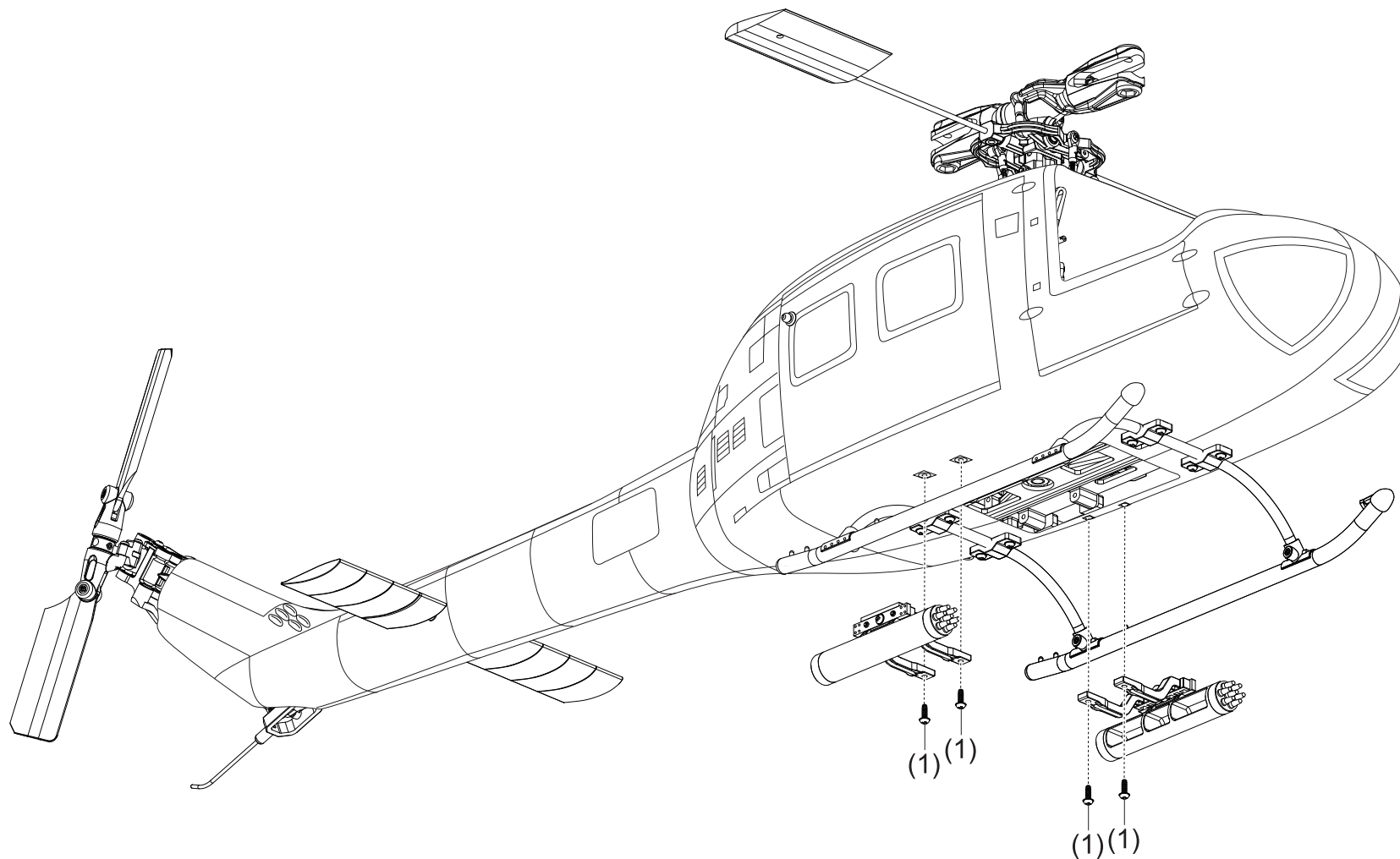
No.	Material No.	Description	中文名稱	Qty
1	BK1846	RIGHT H.FIN	水平尾翼R	1
2	BK1845	LEFT H.FIN	水平尾翼L	1
3	BK1856	SKID BRACE (L)	腳架 (L)	1
4	BK1857	SKID BRACE (R)	腳架 (R)	1
5	HME3-3B	SET SCREW (M3x3)	無頭內六角螺絲 (M3x3)	4



WEAPON SYSTEM ASSEMBLY (Army Version) / 武器配件組裝 (軍用版專用)



No.	Material No.	Description	中文名稱	Qty
1	HNN2-6B	TAPPING SCREW(W/WASHER) M2x6	墊圈自攻螺絲 (粗) M2x6	4



WINDSHIELD ASSEMBLY / 機艙罩組裝

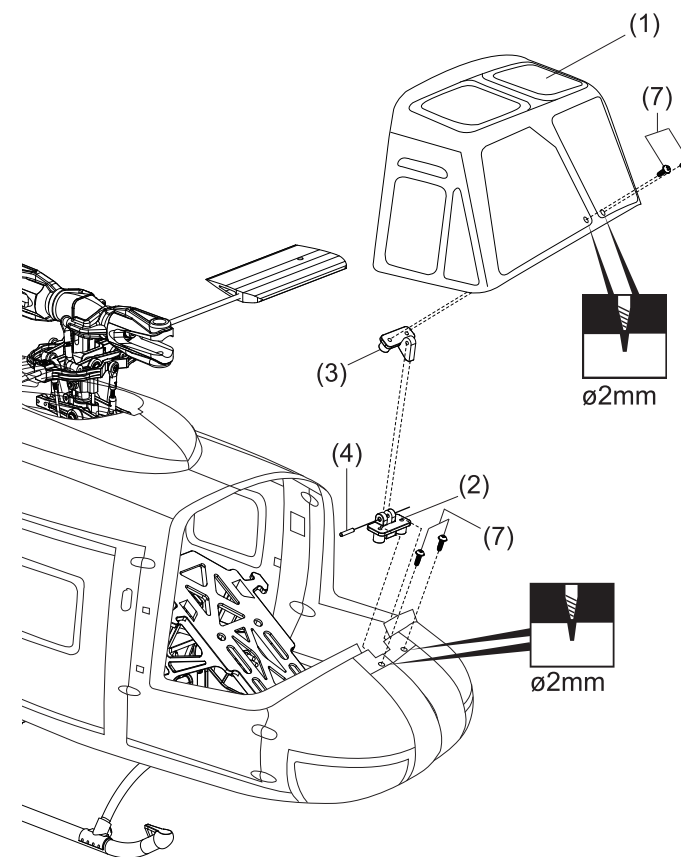
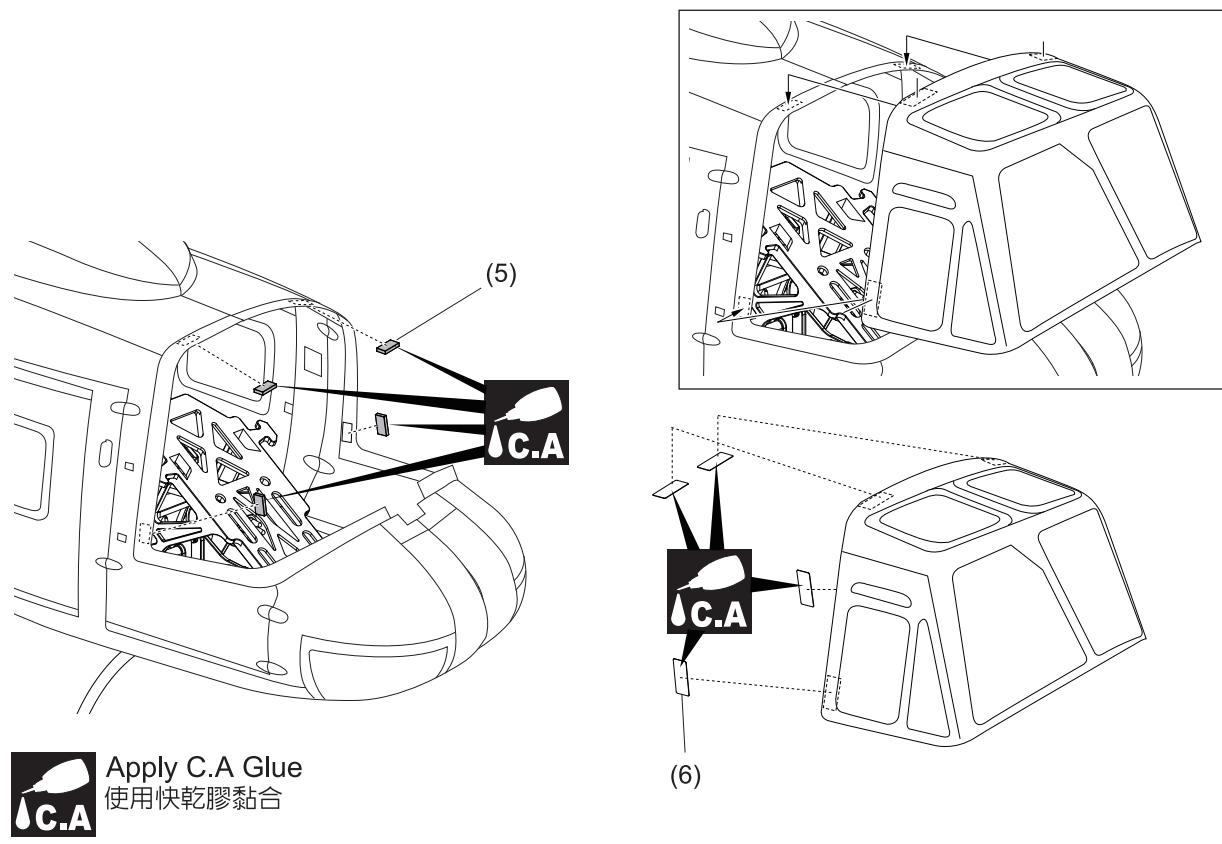



No.	Material No.	Description	中文名稱	Qty
1	BK1871	WINDSHIELD	機艙罩	1
2	BK1863	LOWER WINDSHIELD PIN	機艙卡榫下	1
3	BK1862	UPPER WINDSHIELD PIN	機艙卡榫上	1
4	HMY16-8	PIN 1.6x8	軸承滾針 1.6x8	1

No.	Material No.	Description	中文名稱	Qty
5	BC0988	MAGNET SET 8x4.2x1.4mm	強力磁鐵 8x4.2x1.4mm	4
6	BK1839	WINDSHIELD MAGNET	機艙磁片	4
7	HNN2-6B	TAPPING SCREW(W/WASHER) M2x6	墊圈自攻螺絲(粗) M2x6	4

1. Please bend the windshield magnet a little and attach it inside the canopy as shown.
2. Attach the magnet inside the windshield as shown.
3. Please ensure that the windshield magnets are on the top of the magnets when it is closed.

1. 機艙磁片須自行彎曲，依圖示貼於機艙罩內側。
2. 強力磁鐵依圖示黏貼於機身內側。
3. 請注意機艙磁片與強力磁鐵黏位置，在機艙罩關閉時須兩兩對齊。



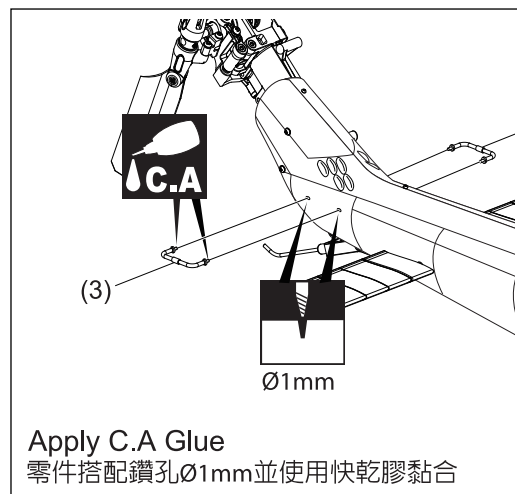
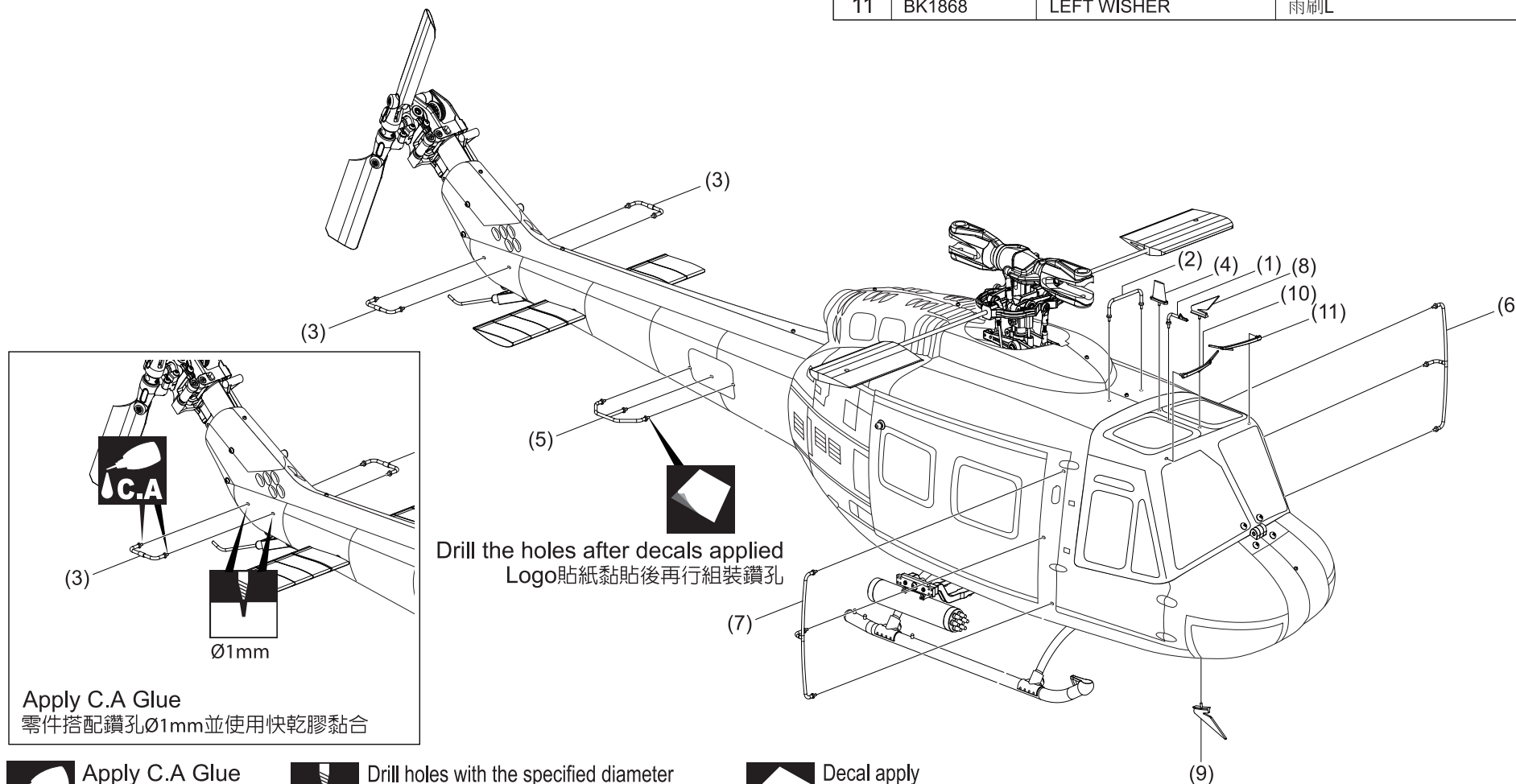
 Drill holes with the specified diameter
依標示尺寸鑽孔

ACCESSORIES ASSEMBLY / 配件組裝



No.	Material No.	Description	中文名稱	Qty
1	BK1840	L-TYPE ANTENNA	L型天線	1
2	BK1841	HANDLE-A	把手A	1
3	BK1842	HANDLE-B	把手B	2
4	BK1843	ANTENNA-A	天線A	1
5	BK1844	ANTENNA-B	天線B	1

No.	Material No.	Description	中文名稱	Qty
6	BK1850	LEFT HANDRAIL	機身扶手L	1
7	BK1851	RIGHT HANDRAIL	機身扶手R	1
8	BK1852	CABLE CUTTER-A	纜繩切割器A	1
9	BK1853	CABLE CUTTER-B	纜繩切割器B	1
10	BK1867	RIGHT WISHER	雨刷R	1
11	BK1868	LEFT WISHER	雨刷L	1



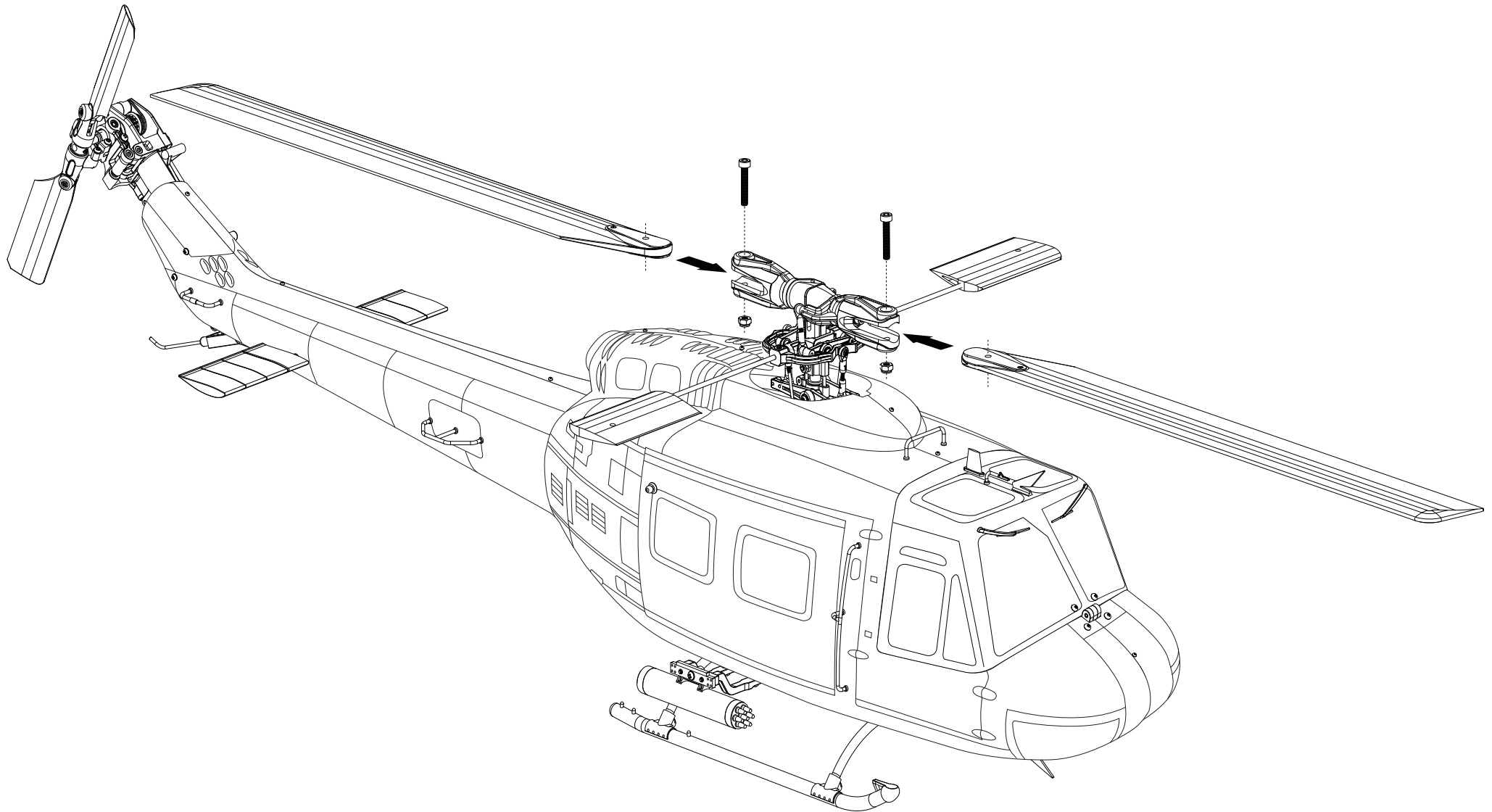
Drill the holes after decals applied
Logo貼紙黏貼後再行組裝鑽孔

Apply C.A. Glue
使用快乾膠黏合

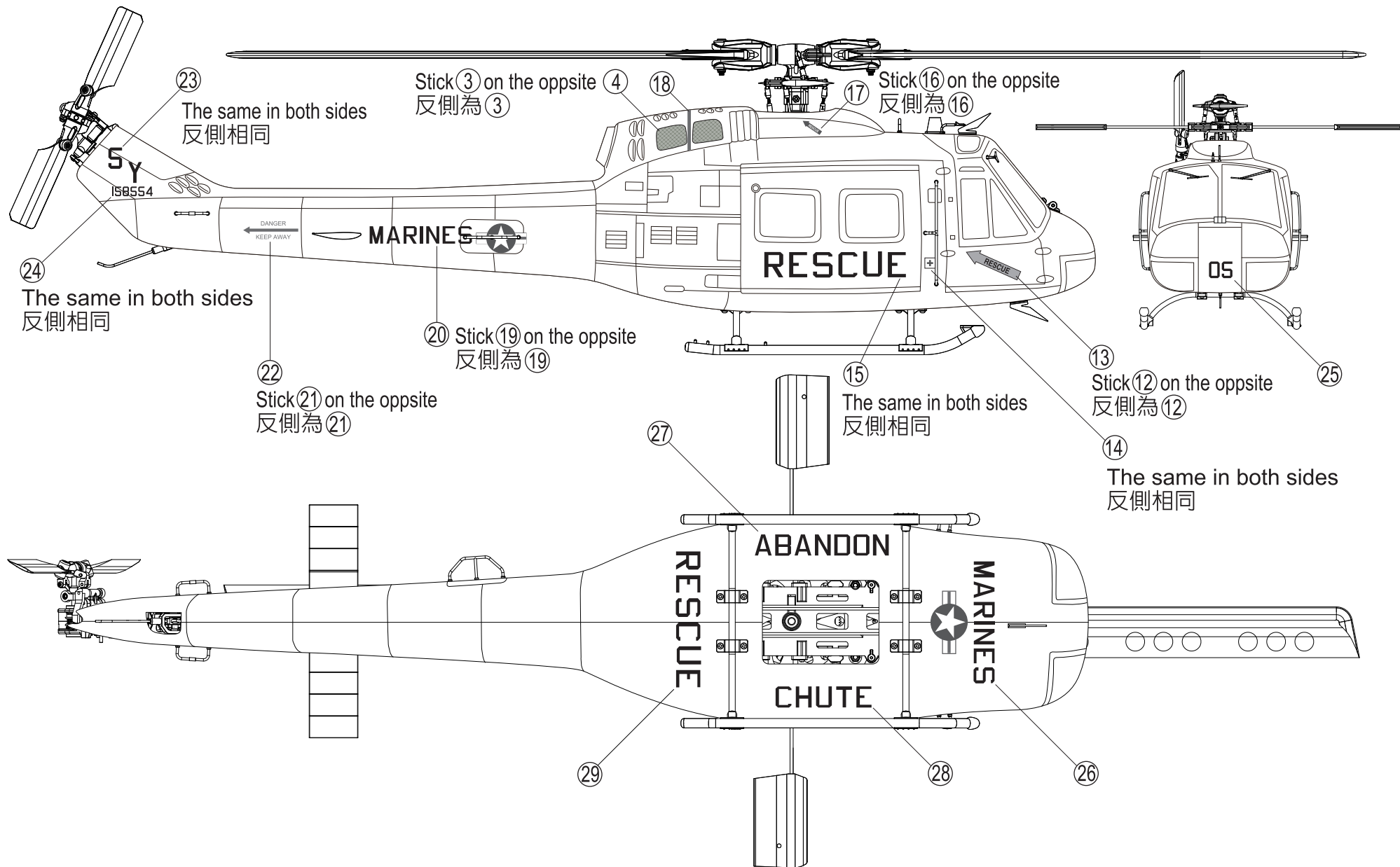
Drill holes with the specified diameter
依標示尺寸鑽孔

Decal apply
貼紙優先黏貼處

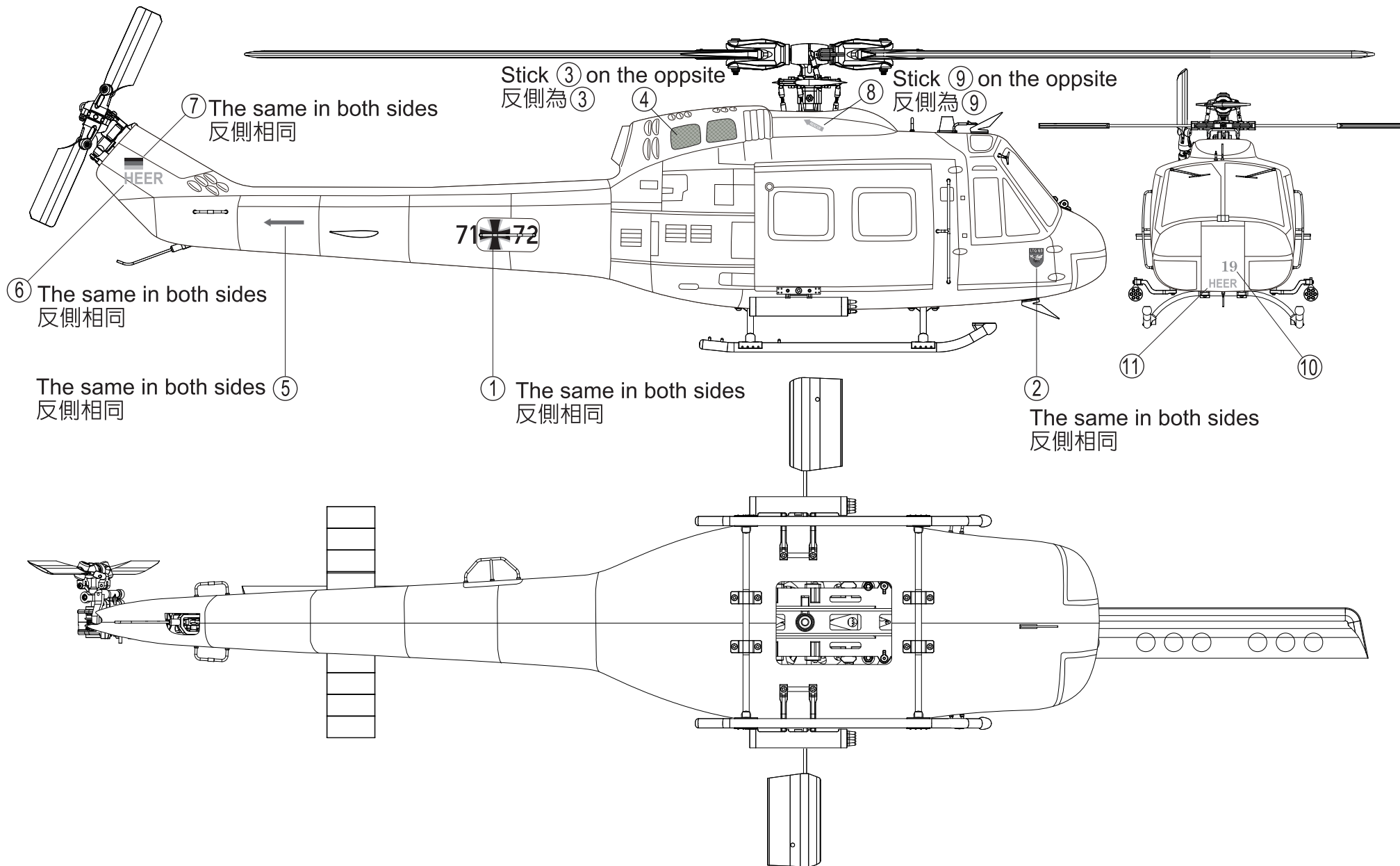
MAIN BLADE ASSEMBLY / 主旋翼組裝



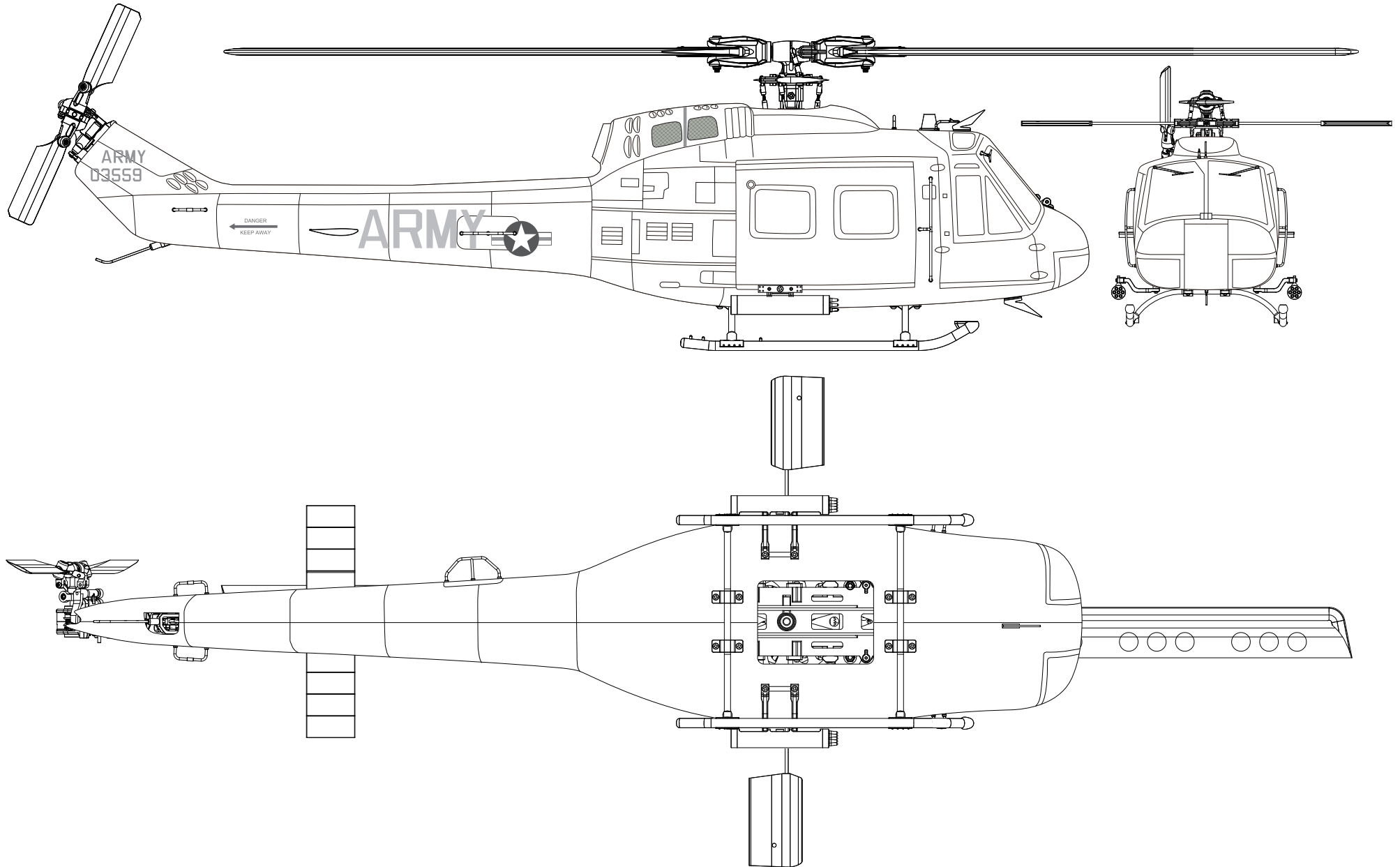
APPLYING DECALS (US MARINE SAR) / 機身貼紙 (美國海軍搜救隊塗裝)



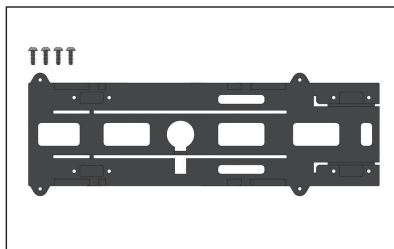
APPLYING DECALS (GERMANY HEER) / 機身貼紙 (德國陸軍塗裝)



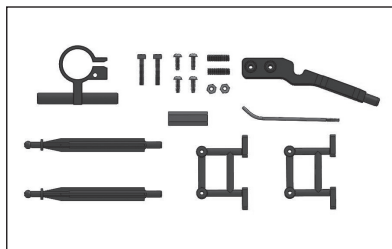
APPLYING DECALS (US Army) / 機身貼紙 (美軍塗裝)



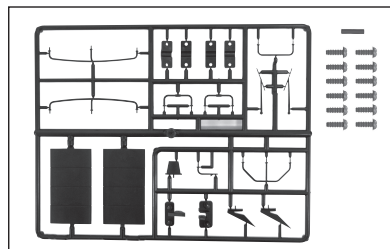
UH-1 CONVERSION KIT SPARE PARTS / 維修零件包



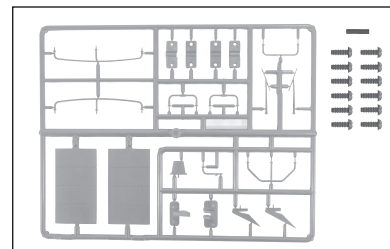
PV1214 SKID HUB
腳架轉接座



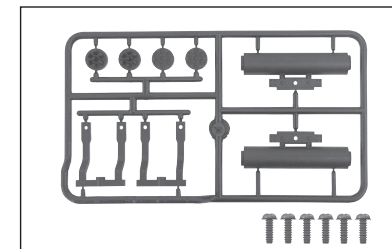
PV1215 FUSELAGE RACK SET
機身支架組



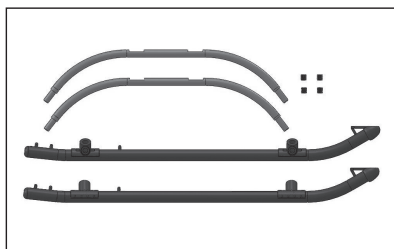
PV1216 ACCESSORY SET
機身零件組



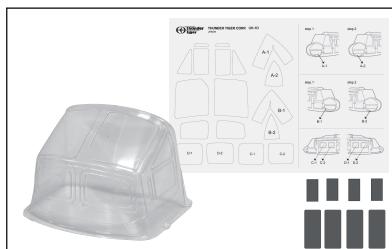
PV1216-W ACCESSORY SET (WHITE)
機身零件組(白色)



PV1217 WEAPON SET
武器配件組



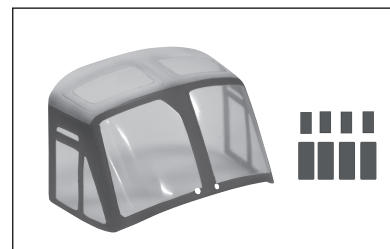
PV1218 SKID SET
腳架組



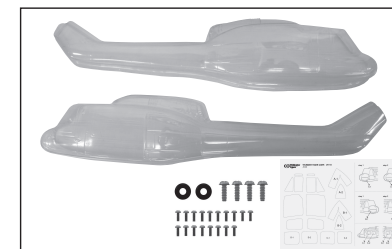
PV1219 WINDSHIELD SET
機艙組



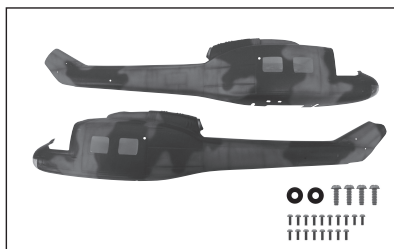
PV1219-G WINDSHIELD SET (FIELD GREEN)
機艙組(叢林迷彩)



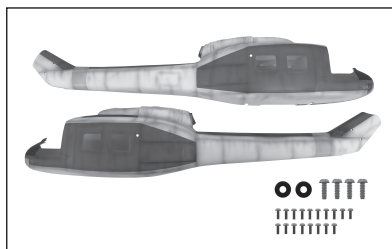
PV1219-R WINDSHIELD SET (RED)
機艙組(紅白)



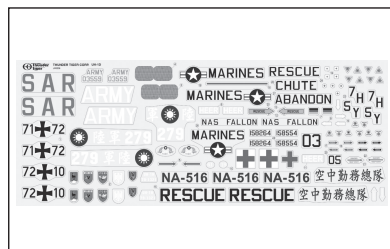
PV1221 FUSELAGE SET
機身組



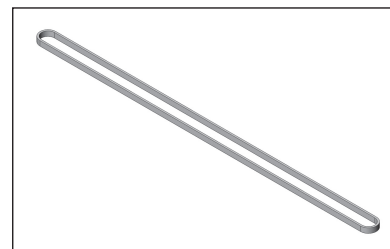
PV1221-G FUSELAGE SET (FIELD GREEN)
機身組(叢林迷彩)



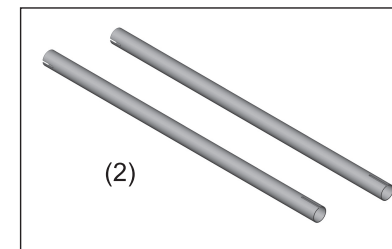
PV1221-R FUSELAGE SET (RED)
機身組(紅白)



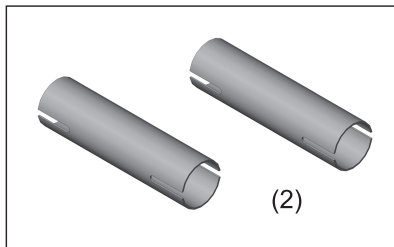
PV1222 UH-1 DECAL
UH-1機身貼紙



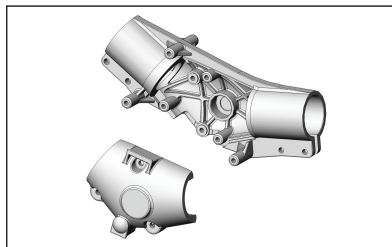
PV0904 DRIVE BELT (448T)
皮帶 (448T)



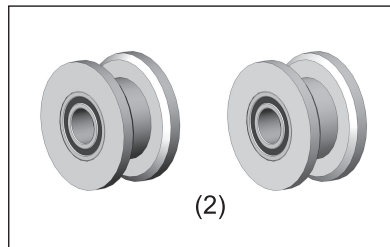
PV0905 TAIL BOOM-A (300mm)
尾管-A (300mm)



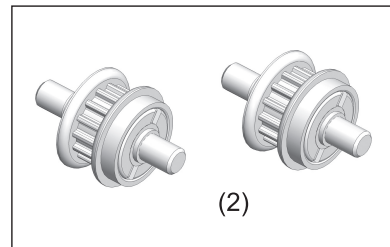
PV0906 TAIL BOOM-B (52mm)
尾管-B (52mm)



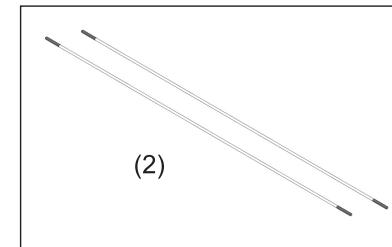
PV0907 TAIL GEAR BOX SET
尾轉折機構組



PV0908 GUIDE PULLEY SET
導輪組

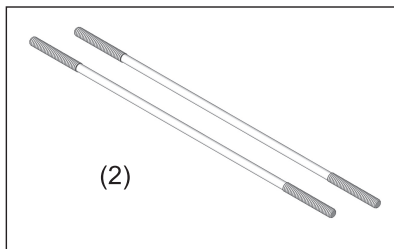


PV0909 PULLEY SET
轉向皮帶輪組



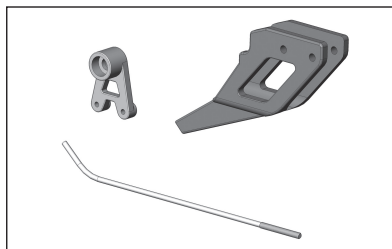
PV0910 LINKAGE ROD-A (222mm)
拉尾桿A (222mm)

UH-1 CONVERSION KIT SPARE PARTS / 維修零件包

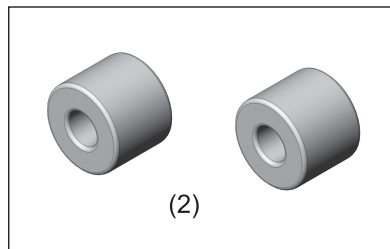


(2)

PV0911 T.LINKAGE ROD(64mm)
尾拉桿B (64mm)

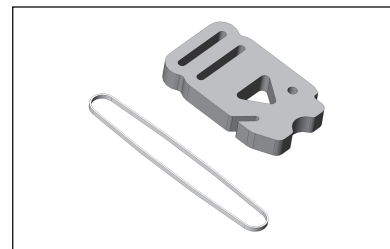


PV0912 TAIL SKID SET
尾翼防撞桿組

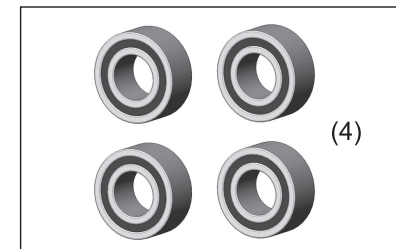


(2)

PV0913 COLLAR d2xD5x4t
軸套 d2xD5x4t

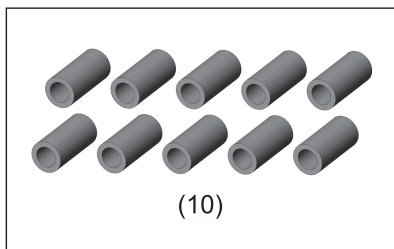


PV0918 BLADE HOLDER
像真機主旋翼固定架



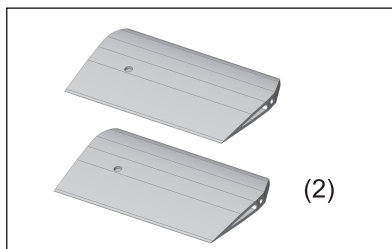
(4)

PV0919 BEARING d3xD6x2.5t
軸承 d3xD6x2.5t



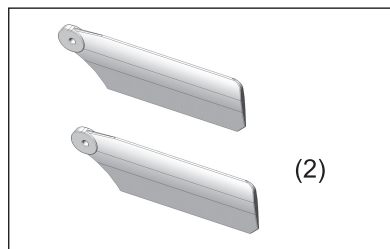
(10)

PV0920 COLLAR d2xD3x6.3t
軸環 d2xD2x6.3t



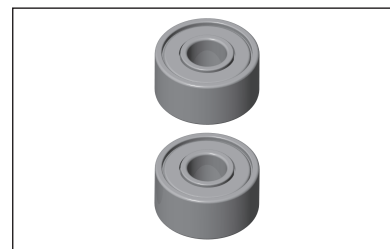
(2)

PV0922 FLYBAR PADDLE(BLACK)
穩定翼 (黑色)

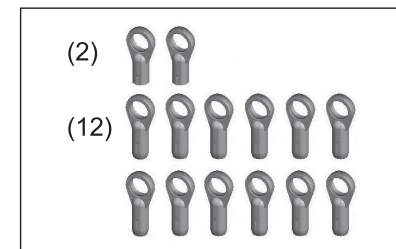


(2)

PV0923 TAIL ROTOR(BLACK)
尾旋翼 (黑色)



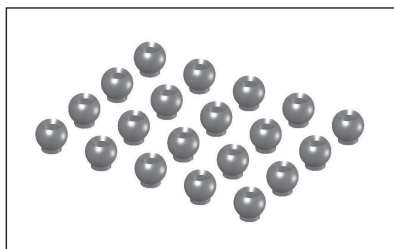
PV0049 BALL BEARING,d3xD8xW4
軸承組,d3xD8xW4



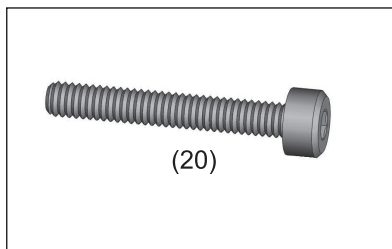
(2)

(12)

PV0755 BALLINK,Ø3.8
單頭連接桿,Ø3.8

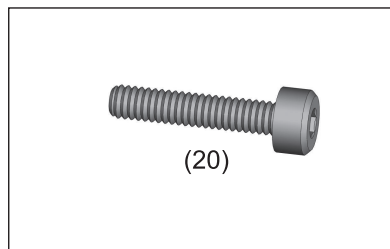


PV0763 LINKAGE BALL,Ø3.8 (20)
連接頭,Ø3.8 (20)



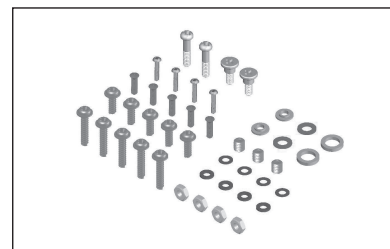
(20)

PV0775 SOCKET SCREW(20),M2x14
內六角螺絲(20),M2x14



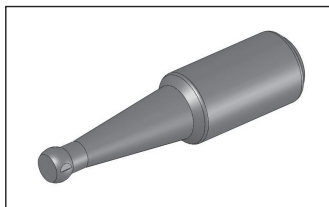
(20)

PV0778 SOCKET SCREW(20),M2x10
內六角螺絲(20),M2x10



PV0781 SCREW BAG
螺絲包

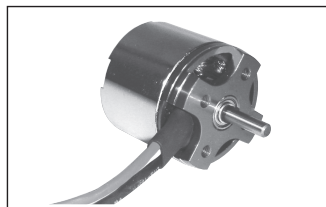
ACCESSORIES / 附屬配件



1198 BALL LINK REAMER
D3.8mm球頭擴孔器



2381 BL. MOTOR, OBL 29/35-10H
無刷馬達 (3500kv)



2382 BL. MOTOR, OBL 29/37-10H
無刷馬達 (3700kv)



2532 Li-Po BATTERY E-CHARGER ELC 4
鋰電池充電器



2808 LI-PO BATT.3S1P/2200mAh/20C
鋰電池



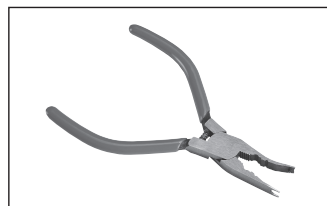
8041-H SPEED CONTROL, ACE BLC-40
速控器 (40A)



8117 ACE RC MICRO SERVO, C1016
迷你伺服機, C1016



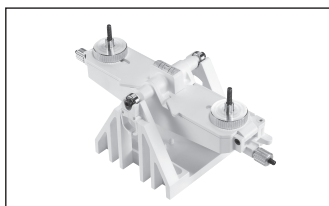
8131 ACE RC MICRO SERVO, C0915
尾伺服機, C0915



1075 BALL LINK PLIERS (Ø3.8mm)
球頭鉗 (Ø3.8mm)



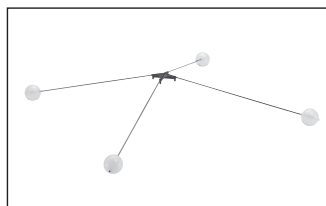
1076 BALL LINK WRENCH
單頭連接扳手



1077 BLADE BALANCER
主旋翼平衡器



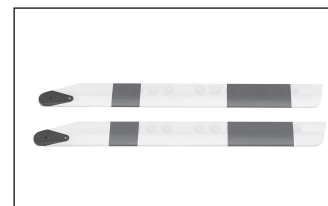
1078 PITCH GAUGE
螺距尺



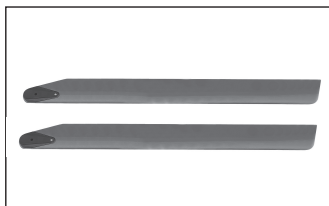
1079 TRAINING GEAR
練習架



1080 ONE WAY BEARING RELEASER
單向軸承退出器



PV1212 MAIN ROTOR BLADE(RED,WHITE)
主旋翼(紅白)



PV1220 MAIN ROTOR BLADE(BLACK)
主旋翼(黑色)

UH-1 CONVERSION KIT SPARE PARTS LIST / 維修零件包表格



No.	Description	中文名稱	Parts No.	Description	中文名稱	Qty	Index Page
PV0049	BALL BEARING,d3xD8xW4	滾珠軸承, d3xD8xW4	HMV830ZZY	BALL BEARING,d3xD8xW4	滾珠軸承, d3xD8xW4	2	14.17
PV0781	SCREW BAG	螺絲包	BK0919	FLAT WASHER, d2xD3.8x0.5t	螺絲墊片	4	-
			BK0920	FLAT WASHER, d2xD3.8x0.2t	螺絲墊片	4	-
			BK1079	COLLAR, d4xD7	軸環 d4xD7	4	-
			BK1080	SAFTY WASHER	墊圈	4	-
			HME3-3B	SET SCREW, M3x3	無頭內六角螺絲, M3x3	3	-
			HMJ12-6B	TAPPING SCREW, M1.2x6	自攻螺絲(粗), M1.2x6	4	-
			HML2	HEX NUT, M2	六角螺帽, M2	4	19
			HMO26	FLAT WASHER, d2.8xD5x0.5t	螺絲墊片, d2.8xD5x0.5t	2	-
			HNN2-10B	TAPPING SCREW (W/WASHER), M2x10	墊圈自攻螺絲(粗), M2x10	5	11.14.16.17.19
			HNN2-6B	TAPPING SCREW (W/WASHER), M2x6 L	墊圈自攻螺絲(粗), M2x6 L	5	11.12.12.24
			HNU2-9Z	SHOULDERED SCRW, M2x9	圓頭軸套螺絲, M2x9	2	-
			HNV2-6Z	SHOULDERED SCRW, M2x6	扁圓頭軸套螺絲, M2x6	2	-
HSP16-6N	COUNTRSUNK SCREW, M1.6x6	圓頭十字螺絲, M1.6x6	5	14			
PV0904	DRIVE BELT (448T)	皮帶 MXL (448T)	BK1528	BELT MXL-3t (448T)	皮帶 MXL-3t (448T)	1	14
PV0905	TAIL BOOM-A (300mm)	尾管A (300mm)	BK1465	TAIL BOOM-A (300mm)	尾管A (300mm)	2	15
PV0906	TAIL BOOM-B (52mm)	尾管B (52mm)	BK1466	TAIL BOOM-B (52mm)	尾管B (52mm)	2	14
PV0907	TAIL GEAR BOX SET	尾轉折機構組	BK1458	GEAR BOX	轉向座	1	14
			BK1459	GEAR BOX COVER	轉向座側蓋	1	17
PV0908	GUIDE PULLEY SET	導輪組	BV1461	GUIDE PULLEY SET	導輪組	2	14
PV0909	PULLEY SET	轉向皮帶輪組	BV1464	PULLEY SET	轉向皮帶輪組	2	14
PV0910	TAIL LINKAGE ROD-A (222mm)	尾拉桿A (222mm)	BK1468	TAIL LINKAGE ROD-A (222mm)	尾拉桿A (222mm)	2	15
PV0911	TAIL LINKAGE ROD-B (64mm)	尾拉桿B (64mm)	BK1469	TAIL LINKAGE ROD-B (64mm)	尾拉桿B (64mm)	2	16
PV0912	TAIL SKID SET	尾翼防撞桿組	BK1460	V-BAR	球頭轉接座	1	14
			BK1462	TAIL SKID BASE	尾翼防撞桿座	1	-
			BK1463	TAIL SKID (74.6mm)	尾翼防撞桿 (74.6mm)	1	-
PV0913	COLLAR d2xD5xW4	軸套 d2xD5xW4	BK1470	COLLAR d2xD5xW4	軸套 d2xD5xW4	2	19
PV0918	BLADE HOLDER	像真機主旋翼固定架	BK1510	BLADE HOLDER	像真機主旋翼固定架	1	-
			BK0109	NYLON STRAP	耐熱橡皮圈	1	-
PV0919	BEARING d3xD6xW2.5	滾珠軸承 d3xD6xW2.5	HMV630ZZY	BEARING d3xD6xW2.5	滾珠軸承 d3xD6xW2.5	4	14
PV0920	CALLOR d2xD3xW6.3	軸環 d2xD3xW6.3	BK1498	CALLOR d2xD3xW6.3	軸環d2xD3xW6.3	2	14

UH-1 CONVERSION KIT SPARE PARTS LIST / 維修零件包表格



No.	Description	中文名稱	Parts No.	Description	中文名稱	Qty	Index Page
PV0922	FLYBAR PADDLE (BLACK)	穩定翼 (黑色)	BK0941-B	STABILIZER (BLACK)	穩定翼 (黑色)	2	11
PV0953	TAIL ROTOR (BLACK)	尾旋翼 (黑色)	BK0961-B	TAIL BLADE (BLACK)	尾旋翼 (黑色)	2	14
PV1214	SKID HUB	腳架轉接座	BK1855	SKID HUB	腳架轉接座	1	12
			HNN2-6B	TAPPING SCREW(W/WASHER) M2×6	墊圈自攻螺絲(粗) M2×6	4	11
PV1215	FUSELAGE RACK SET	機身支架組	BK1858	BASE RACK	機身下支架	2	12
			BK1860	REAR FUSELAGE POST (B)	後機殼支柱	2	11
			BK1861	H. FIN BRACKET	水平尾翼支架	1	19
			BK1056	SUPPORT POST 18L	六角棒 18L	1	11
			BK1864	TAIL SKID BASE	尾翼防撞桿座	1	13
			BK1865	TAIL SKID	尾翼防撞桿	1	13
			HML2	M2 NUT	M2 螺帽	2	15
			HMC2-12B	SOCKET SCREW M2×12	內六角螺絲M2×12	2	15
			HNN2-10B	TAPPING SCREW(W/WASHER) M2×10	墊圈自攻螺絲(粗) M2×10	1	11
			HNN2-6B	TAPPING SCREW(W/WASHER) M2×6	墊圈自攻螺絲(粗) M2×6	4	11
PV1216	ACCESSORY SET	機身零件組	HME3-10B	SET SCREW (M3×10)	無頭內六角螺絲 M3×10	2	19
			BK1840	L-TYPE ANTENNA	L型天線	1	26
			BK1841	HANDLE-A	把手A	1	26
			BK1842	HANDLE-B	把手B	2	26
			BK1843	ANTENNA-A	天線A	1	26
			BK1844	ANTENNA-B	天線B	1	26
			BK1845	LEFT H. FIN	水平尾翼 (左)	1	23
			BK1846	RIGHT H. FIN	水平尾翼 (右)	1	23
			BK1850	LEFT HANDRAIL	機身扶手 (左)	1	26
			BK1851	RIGHT HANDRAIL	機身扶手 (右)	1	26
			BK1852	CABLE CUTTER-A	纜繩切割器-A	1	26
			BK1853	CABLE CUTTER-B	纜繩切割器-B	1	26
			BK1859	SKID HOLDER	腳架壓板	4	22
			BK1862	UPPER WINDSHIELD PIN	機艙卡榫上	1	25
BK1863	LOWER WINDSHIELD PIN	機艙卡榫下	1	25			
BK1867	RIGHT WISHER	雨刷R	1	26			
BK1868	LEFT WISHER	雨刷L	1	26			

UH-1 CONVERSION KIT SPARE PARTS LIST / 維修零件包表格



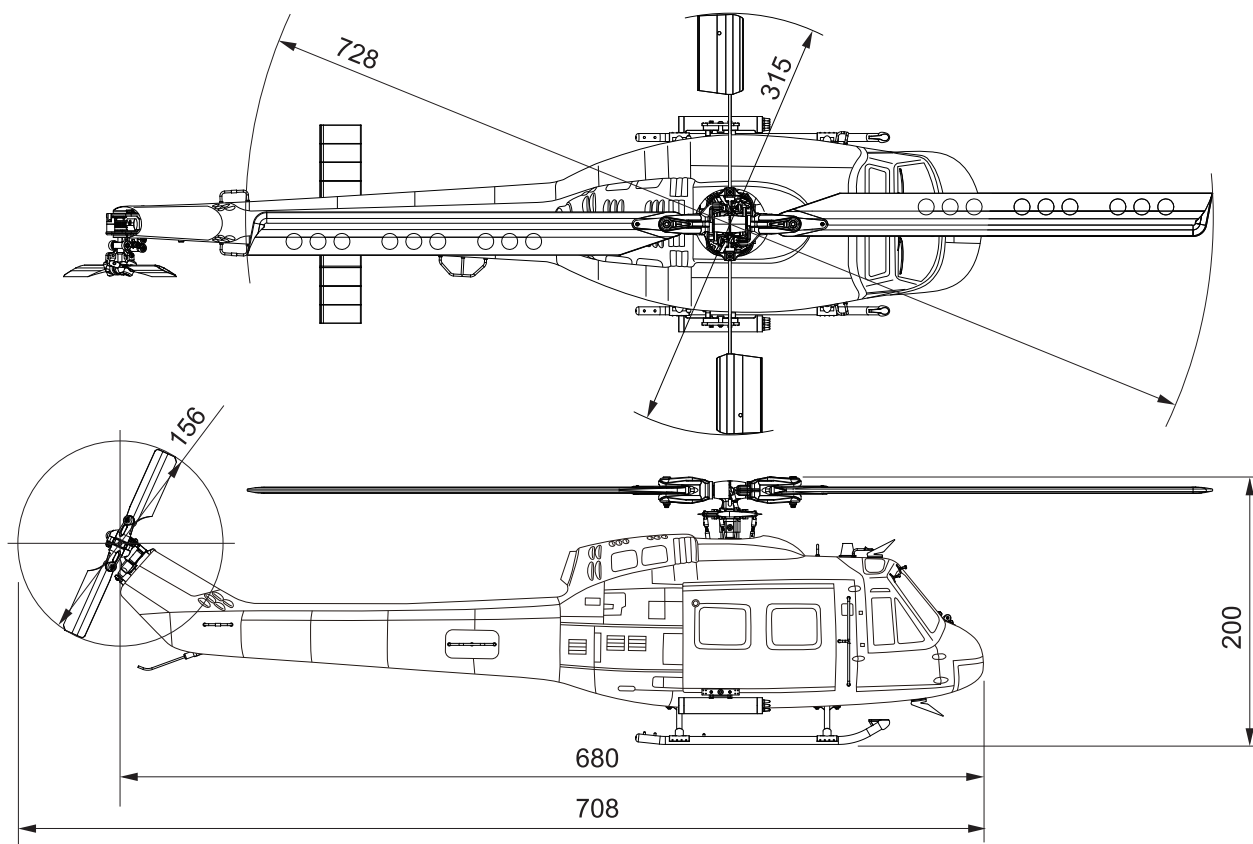
No.	Description	中文名稱	Parts No.	Description	中文名稱	Qty	Index Page
			HMY16-8	PIN 1.6x8	軸承滾針1.6x8	1	25
			HNN2-6B	TAPPING SCREW(W/WASHER) M2x6	墊圈自攻螺絲(粗) M2x6	12	22
PV1216-W	ACCESSORY SET (WHITE)	機身零件組 (白色)	BK1840	L-TYPE ANTENNA	L型天線	1	26
			BK1841	HANDLE-A	把手A	1	26
			BK1842	HANDLE-B	把手B	2	26
			BK1843	ANTENNA-A	天線A	1	26
			BK1844	ANTENNA-B	天線B	1	26
			BK1845	LEFT H. FIN	水平尾翼L	1	23
			BK1846	RIGHT H. FIN	水平尾翼R	1	23
			BK1850	LEFT HANDRAIL	機身扶手L	1	26
			BK1851	RIGHT HANDRAIL	機身扶手R	1	26
			BK1852	CABLE CUTTER-A	纜繩切割器-A	1	26
			BK1853	CABLE CUTTER-B	纜繩切割器-B	1	26
			BK1859	SKID HOLDER	腳架壓板	4	22
			BK1862	UPPER WINDSHIELD PIN	機艙卡榫上	1	25
			BK1863	LOWER WINDSHIELD PIN	機艙卡榫下	1	25
			BK1867	RIGHT WISHER	雨刷 (右)	1	26
			BK1868	LEFT WISHER	雨刷 (左)	1	26
			HMY16-8	PIN 1.6x8	軸承滾針 1.6x8	1	25
			HNN2-6B	TAPPING SCREW(W/WASHER) M2x6	墊圈自攻螺絲(粗) M2x6	12	12.22
PV1217	WEAPON SET (G)	武器配件組	BK1847	MISSILE BRACKET	飛彈架	2	13
			BK1848	MISSIE FRONT CAP	飛彈前蓋	2	13
			BK1849	MISSILE REAR CAP	飛彈後蓋	2	13
			BK1854	WEAPON HUB	連接座	2	13
			HNN2-6B	TAPPING SCREW(W/WASHER) M2x6	墊圈自攻螺絲(粗) M2x6	6	13.24
PV1218	SKID SET	腳架組	BK1856	SKID BRACE (LEFT)	腳架L	1	23
			BK1857	SKID BRACE (RIGHT)	腳架R	1	23
			BK1866	SKID PIPE	金屬腳架	2	22
			HME3-3B	SET SCREW(M3x3)	無頭內六角螺絲 M3x3	4	23
PV1219	WINDSHIELD SET	機艙組	BK1871	WINDSHIELD	機艙罩	1	25
			BC0988	MAGNET SET	強力磁鐵 8x4.2x1.4mm	4	25

UH-1 CONVERSION KIT SPARE PARTS LIST / 維修零件包表格

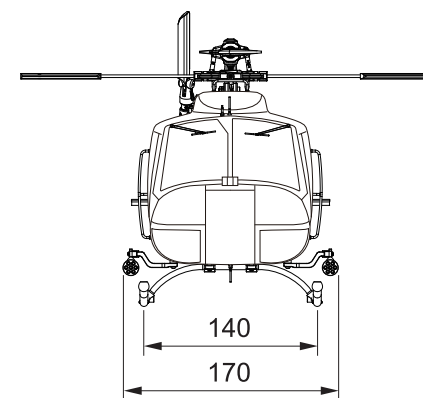


No.	Description	中文名稱	Parts No.	Description	中文名稱	Qty	Index Page
			BK1839	WINDSHIELD MAGNET	機艙磁片	4	25
			JK0238	MASK	UH-1 窗戶美紋紙	1	-
PV1219-G	WINDSHIELD SET (FIELD GREEN)	機艙組 (叢林迷彩)	BK1871-G	WINDSHIELD SET (FIELD GREEN)	機艙罩 (叢林迷彩)	1	25
			BC0988	MAGNET SET 8×4.2×1.4mm	強力磁鐵 8×4.2×1.4mm	4	25
			BK1839	WINDSHIELD MAGNET	機艙磁片	4	25
PV1219-R	WINDSHIELD SET (RED)	機艙組 (紅白)	BK1871-R	WINDSHIELD SET (RED)	機艙罩 (紅白)	1	25
			BC0988	MAGNET SET	強力磁鐵 8×4.2×1.4mm	4	25
			BK1839	CANOPY MAGNET	機艙磁片	4	25
PV1221	FUSELAGE SET	機身組	BK1870	LEFT FUSELAGE (CLEAR)	機身-左 (透明)	1	20
			BK1869	RIGHT FUSELAGE (CLEAR)	機身-右 (透明)	1	20
			BK1002	RUBBER GROMMET	機身固定墊圈	2	21
			HMJ12-3B	TAPPING SCREW M1.2×3	圓頭十字自攻螺絲 M1.2×3	18	22
			HNN2-6B	TAPPING SCREW(W/WASHER) M2×6	墊圈自攻螺絲(粗) M2×6	4	25
			JK0238	MASK	UH-1 窗戶美紋紙	1	-
PV1221-G	FUSELAGE SET (FIELD GREEN)	機身組 (叢林迷彩)	BK1870-G	LEFT FUSELAGE (FIELD GREEN)	機身-左 (叢林迷彩)	1	20
			BK1869-G	RIGHT FUSELAGE (FIELD GREEN)	機身-右 (叢林迷彩)	1	20
			BK1002	RUBBER GROMMET	機身固定墊圈	2	21
			HMJ12-3B	TAPPING SCREW M1.2×3	圓頭十字自攻螺絲 M1.2×3	18	22
			HNN2-6B	TAPPING SCREW(W/WASHER) M2×6	墊圈自攻螺絲(粗) M2×6	4	25
PV1221-R	FUSELAGE SET (RED)	機身組 (紅白)	BK1870-R	LEFT FUSELAGE (RED)	機身-左 (紅白)	1	20
			BK1869-R	RIGHT FUSELAGE (RED)	機身-右(紅白)	1	20
			BK1002	RUBBER GROMMET	機身固定墊圈	2	21
			HMJ12-3B	TAPPING SCREW M1.2×3	圓頭十字自攻螺絲 M1.2×3	18	22
			HNN2-6B	TAPPING SCREW(W/WASHER) M2×6	墊圈自攻螺絲(粗) M2×6	4	25
PV1222	UH-1 DECAL	UH-1機身貼紙	JV0236	UH-1 DECAL	UH-1機身貼紙	1	29.30
PV0755	BALLINK,Ø3.8	單頭連接桿,Ø3.8	BK0922	BALL LINK d3.8x12mm	單頭連接桿 d3.8x12mm	12	16
			BK0932	BALL LINK d3.8x10mm	單頭連接桿 d3.8x10mm	2	-
PV0763	LINKAGE BALL,Ø3.8	連接頭,Ø3.8	BK1203	LINKAGE BALL, Ø3.8	連接頭 Ø3.8	20	14
PV0775	SOCKET SCREW,M2x14	內六角螺絲,M2x14	HMC2-14B	SOCKET SCREW M2x14	內六角螺絲 M2x14	20	19
PV0778	SOCKET SCREW,M2x10	內六角螺絲,M2x10	HMC2-10B	SOCKET SCREW M2x10	內六角螺絲 M2x10	20	14

SPECIFICATION / 規格



Fuselage Length/全長: 26.7" (680mm)
Fuselage Width/全寬: 5.7" (145mm)/ 6.7" (170mm) Army
Total Height/全高: 7.87" (200mm)
Main Rotor dia./主旋翼翼展: 29.45" (748mm)
Tail Rotor dia./尾旋翼翼展: 6.14" (156mm)
Gear Ratios/齒輪比: 1:11.5:4.4
Full-equipped Weight/全配重量: 32.8oz (930g)



FEATURES / 特點

1. High-positioned tail rotor mechanism.
2. Exclusive quick-open hatch cover to access battery.
3. Scale antenna set, horizontal tailplane, scale landing & tail skids, handrails, rocket launchers (Army version).
4. Light PVC fuselage, easy for assembling.
5. Available in 2 great painted schemes or clear fuselage.
6. Pre-weathered (painted schemes versions only).

1. 高置尾翼傳動機構
2. 獨特快掀式機頭罩，方便電池拆裝
3. 像真天線組、尾部水平尾翼、像真腳架及尾旋翼保護架、火箭筒（軍用版）
4. 輕量化PVC外殼，組裝簡易
5. 兩種塗裝完成（救難用、軍用版）及透明版機殼可選擇。
6. 媲美真實直昇機像真舊化處理（完成塗裝版本）。

E325 ELECTRIC HELICOPTER SERIES / E325電動直昇機系列



No.4710-A/K mini Titan E325 ARF/KIT
E325小型電動直昇機完成機版/套件版



No.4710-F06 mini Titan E325 2.4G Super Combo
E325小型電動直昇機超值完成機 2.4G版本



No.4710-K mini Titan E325 KIT
E325小型電動直昇機套件版



PV1606-R FRP CANOPY (RED)
玻纖機艙罩-紅色



PV1606-L FRP CANOPY (BLUE)
玻纖機艙罩-藍色



PV1606-Y FRP CANOPY (YELLOW)
玻纖機艙罩-黃色



No.3870-L AH-1W SCALE FUSELAGE KIT (BLUE GRAY)
AH-1W像真機升級套件 (空優迷彩)



No.3870-G AH-1W SCALE FUSELAGE KIT (FIELD GREEN)
AH-1W像真機升級套件 (叢林迷彩)



No.3870-D AH-1W SCALE FUSELAGE KIT (DESERT STROM)
AH-1W像真機升級套件 (沙漠迷彩)



No.3876-L A109K2 SCALE FUSELAGE KIT (BLUE/WHITE)
A109K2像真機升級套件 (藍/白塗裝)



No.3876-R A109K2 SCALE FUSELAGE KIT (RED/WHITE)
A109K2像真機升級套件 (紅/白塗裝)



No.3901-G UH-1 SCALE FUSELAGE KIT (GERMANY HEER)
UH-1像真機升級套件 (德軍塗裝)



No.3901-R UH-1 SCALE FUSELAGE KIT (US SAR TEAM)
UH-1像真機升級套件 (美軍搜救隊塗裝)

Recommended Electronic Devices... **E-PACK** No.1267

Electric Combo for Mini Copter

ACE RC provides this E-Pack including everything.

E-PACK 小型電動直昇機電子套件

專為小型電動直昇機所需準備的電子套件，最佳搭配一次搞定，省卻您四處拼湊電裝的麻煩!

Content / 內容

1. Micro servo for control surface / 舵面伺服機 C1016 x 3
2. Micro servo for rudder / 尾舵伺服機 C0915 x 1
3. Heading lock gyro / 鎖定向陀螺儀 TG-6000 x 1
4. Brushless motor / 無刷內轉馬達 OBL 29/35-10H x 1
5. Speed control / 速控器 BLC-40 x 1
6. Li-Po battery / 鋰聚電池 3S1P / 2200mAh, 25C x 1



Torque Tube Conversion KIT

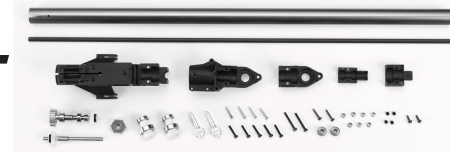
No.3880

Extreme Response

Here it is ! The ultimate hardware upgrade for the mini Titan ! An all-in-one Torque Tube and Carbon Shaft KIT for unbelievable crisp rudder response and 100% power transfer. Be all you can be, and throw any mad 3D maneuvers at the mini Titan E325 .

E325尾軸傳升級套件

傳輸無限動力! 快來將您的E325換裝為尾軸傳動力系統吧! 準備好體驗近乎瘋狂的100%輸出動力能量! 高強度輕質化碳纖材質尾轉動主軸能讓您毫無顧慮地盡情飛行極限3D特技動作!





THUNDER TIGER CORPORATION
www.thundertiger.com

© 2009

JK0237