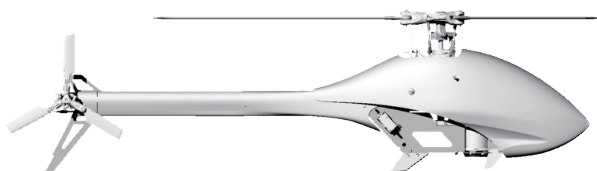


GAUI X3L

2 BLADES & 3 BLADES ASSEMBLY INSTRUCTION



www.gauicom.tw

Recommendation:
We highly suggest using the latest version of the
Assembly Instruction Manual.
To download the latest version, please visit the Official TSH GAUI
web site: www.gauicom.tw

mit

THANK YOU FOR PURCHASING **GAUI X3L** HIGH PERFORMANCE RC HELICOPTER FROM TAI SHIH HOBBY CORPORATION (TSH). WE HOPE YOU WILL ENJOY THE JOY OF FLIGHT.

感謝您購買泰世科技出品的 **GAUI X3L** 高性能遙控直升機，我們希望您可以盡情享受飛行的樂趣。

IN ORDER TO UNDERSTAND FULL ASSEMBLY SEQUENCES, THIS INSTRUCTION MANUAL SHOW THE ASSEMBLY INFORMATION OF THIS MODEL, EVEN THOUGH SOME ELEMENTS ARE SUPPLIED AS PRE-ASSEMBLED. PLEASE REFER TO IT WHEN CARRYING OUT MAINTENANCE OR REPLACING PARTS.

為了要讓使用者詳細瞭解組裝順序，即使有些部件已經預先組裝完成，本說明書將提供這台遙控模型的組裝資訊。同時，敬請參閱保養與主要零件更換資訊。

CAUTION: THIS RADIO CONTROLLED HELICOPTER IS NOT A TOY.

THE PRODUCT IS NOT SUITABLE FOR CHILDREN UNDER 14 YEARS OF AGE.

警告：這台遙控直升機不是玩具。

SAFETY PRECAUTIONS

THIS KIT INCLUDES SOME PREASSEMBLED COMPONENTS. PLEASE CHECK FOR ANY LOOSE SCREWS AND TIGHTEN THEM BEFORE YOU PROCEED WITH ASSEMBLY.

YOU ARE RESPONSIBLE FOR ASSEMBLY, SAFE OPERATION, MAINTENANCE, INSPECTION AND ADJUSTMENT OF THE MODEL.

BEFORE BEGINNING ASSEMBLY, PLEASE READ THESE INSTRUCTIONS THOROUGHLY.

CHECK ALL PARTS. IF YOU FIND ANY DEFECTIVE OR MISSING PARTS, CONTACT YOUR LOCAL DEALER OR **GAUI** TSH DISTRIBUTOR.

BEFORE YOU PROCEED TO RC HELICOPTER ACTIVITY, PLEASE CHECK AND FOLLOW THOROUGHLY RELATED REGULATION OF AERO MODELING IN YOUR COUNTRY/REGION.

安全資訊與注意事項

這台遙控模型包含預先組合完成的部件。

在進行組裝之前，請仔細檢查這些預先組裝部件上的所有螺絲均有仔細鎖緊。

您有完全的責任對於這台遙控模型的組裝，安全操作，保養，檢查與調整。

請先檢查所有的零件，如果發現任何不良品，遺失品，請向模型店或是當地的泰世代理商連絡。

在您進行遙控直升機活動時，請先詳細瞭解與遵守當地遙控模型的相關法規。

LIABILITY DISCLAIMER

THIS PRODUCT IS FOR A RADIO CONTROLLED (RC) HELICOPTER.

IMPROPER OPERATION, MAINTENANCE OR ASSEMBLY CAN POTENTIALLY CAUSE A RC HELICOPTER TO POSE A DANGER TO PERSONS OR OBJECTS INCLUDING BUT NOT LIMITED TO THE POSSIBILITY OF CAUSING SERIOUS PHYSICAL INJURY AND EVEN DEATH.

MOVING COMPONENTS CAN PRESENT A HAZARD TO OPERATORS, AND ANYONE OR ANYTHING THAT COULD BE IN THE FLYING AREA OF THE RC HELICOPTER.

UNDER NO CIRCUMSTANCE SHOULD A MINOR BE ALLOWED TO OPERATE THIS RC HELICOPTER WITHOUT THE APPROVAL, MONITOR AND DIRECTION OF HIS PARENT OR LEGAL GUARDIAN WHO TAKES FULL RESPONSIBILITY FOR ALL OF THE MINOR'S ACTIONS.

THIS PRODUCT IS INTENDED FOR BEING OPERATED BY EXPERIENCED MATURE RADIO CONTROL HELICOPTER PILOTS UNDER CONTROLLED SAFETY CONDITIONS AND ON LOCATIONS PROPERLY AUTHORIZED AND SETUP FOR SAFE FLYING AND AWAY FROM OTHER PEOPLE.

DO NOT OPERATE AN RC HELICOPTER WITHIN THE VICINITY OF RESIDENCES, TREES, ELECTRICAL POWER LINES DURING INCLEMENT WEATHER OR NEAR CROWDS OF PEOPLE.

THE MANUFACTURER AND/OR ITS DISTRIBUTORS ASSUME NO RESPONSIBILITY OR LIABILITY WHATSOEVER FOR ANY DAMAGES INCLUDING BUT NOT LIMITED TO ONES GENERATED BY INCIDENTAL OR CONSEQUENTIAL DAMAGES.

THE OPERATOR OF THE HELICOPTER ASSUMES ALL RESPONSIBILITY AND LIABILITY THAT RESULTS FROM THE CORRECT OR INCORRECT OPERATION OF THE HELICOPTER.

AFTER LEAVING ITS FACILITIES, THE MANUFACTURER HAS NO WAY OF MAINTAINING CONTROL OR MONITOR OVER THE ASSEMBLY, MAINTENANCE AND/OR OPERATION OF THE HELICOPTER.

免責聲明

本產品是無線遙控的直升機。

不當的操作，保養或是組裝有可能導致遙控直升機對於人身或是物品造成危險。包括，但是不局限於對於人體產生嚴重傷害甚至死亡的可能性。

所有的移動部件可能對於操作的使用者，旁人或是這台遙控直升機飛行場的任何人或物品產生傷害。

未成年的人如果要操作這台遙控直升機需要父母或是監護人的同意，並在監督與指導下才能進行操作並遠離周遭障礙物及人群等，其父母或是監護人需負起所有責任與法律責任。

以下場合與情況禁止操作遙控直升機：居家房屋附近、天候不佳時、非空曠區域、樹木、電線竿等場合或是人群附近。

製造廠商與其經銷商都不對於所有的傷害，包含但是不局限於偶然或是連續發生的傷害負擔任何責任。

本產品的使用者要對於正確地或是不正確地操作的結果需負擔所有責任與法律責任。

本產品一但離開製造廠商的控制範圍外，

製造廠商無法對於下列事項保持監督與控管：

組裝，保養，維修與操作這台遙控直升機。

For United States market, The Academy of Model Aeronautics (AMA) is a national organization representing modelers in the United States. Please refer the National Model Aircraft safety code from Academy of Model Aeronautics. And we've partially reprinted rules that are especially pertinent for radio controlled flight as below:

RADIO CONTROL

1. All pilots shall avoid flying models over unprotected people.
2. I will complete a successful radio equipment ground-range check in accordance with the manufacturer's recommendations before the first flight of a new or repaired aircraft.
3. At all flying sites a safety line or lines must be established, in front of which all flying takes place. Only personnel associated with flying the model aircraft are allowed at or in front of the safety line.
In the case of air shows or demonstrations a straight safety line must be established.
An area away from the safety line must be maintained for spectators.
Intentional flying behind the safety line is prohibited. (See AMA Document #706 for Recommended Field Layout.)
4. I will operate my model aircraft using only radio-control frequencies currently allowed by the Federal Communications Commission (FCC).
Only individuals properly licensed by the FCC are authorized to operate equipment on Amateur Band frequencies.
5. I will not knowingly operate my model aircraft within three (3) miles of any preexisting flying site without a frequency-management agreement.
(See AMA Document #922 for Testing for RF Interference. See AMA Document #923 for Frequency Management Agreement.)
6. With the exception of events flown under official AMA Competition Regulations rules, excluding takeoff and landing, no powered model may be flown outdoors closer than 25 feet to any individual, except for the pilot and the pilot's helper(s) located at the flight line.
7. Under no circumstances may a pilot or other person touch a model aircraft in flight while it is still under power, except to divert it from striking an individual. This does not apply to model aircraft flown indoors.
8. Radio-controlled night flying requires a lighting system that provides the pilot with a clear view of the model's attitude and orientation at all times.
9. The operator of a radio-controlled model aircraft shall control it during the entire flight, maintaining visual contact without enhancement other than by corrective lenses that are prescribed for the pilot. First-Person View (FPV) flying may only be conducted in accordance with the procedures outlined in AMA Document #550.

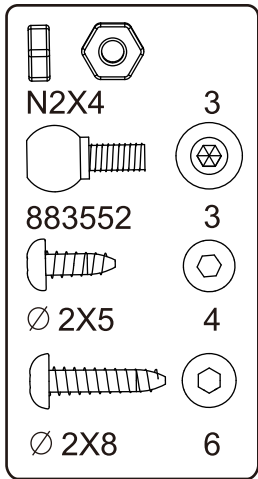
These special codes and appropriate documents may be obtained either from the AMA Web site at www.modelaircraft.org or by contacting AMA headquarter.

Academy of Model Aeronautics
5151 East Memorial Drive
Muncie, IN 47302
Phone (800) 435-9262
Fax (765) 741-0057

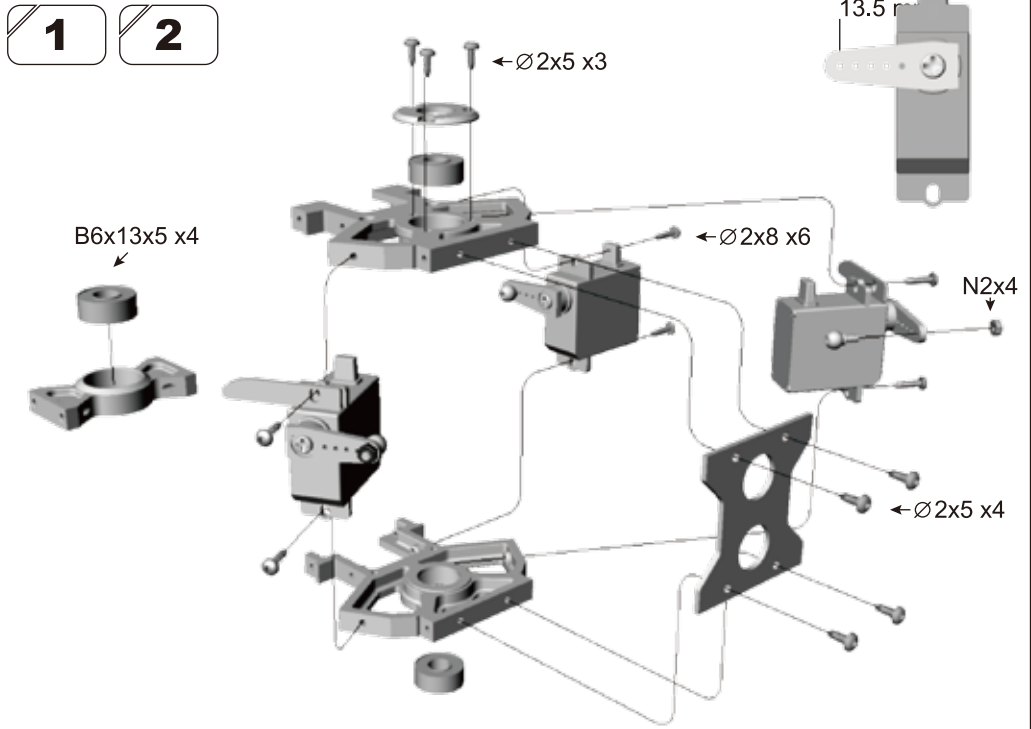
Main Shaft Frame Assembly

主軸板組裝

GAUI TAI SHIH HOBBY CORPORATION



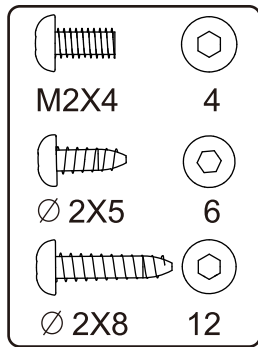
- 033206
- 216125
- 216126
- 216127
- 216128
- 216253



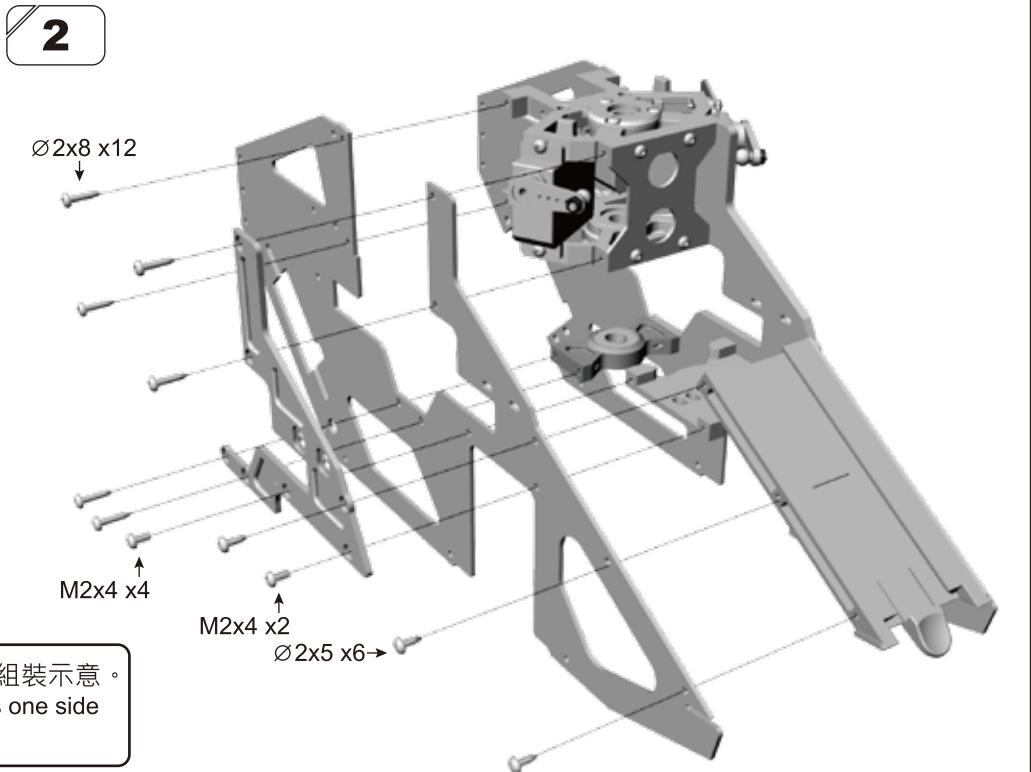
Main Frame Assembly

機體側板組裝

GAUI TAI SHIH HOBBY CORPORATION



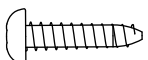





- 033216
- 034601
- 034602
- 034603
- 216139
- 216140

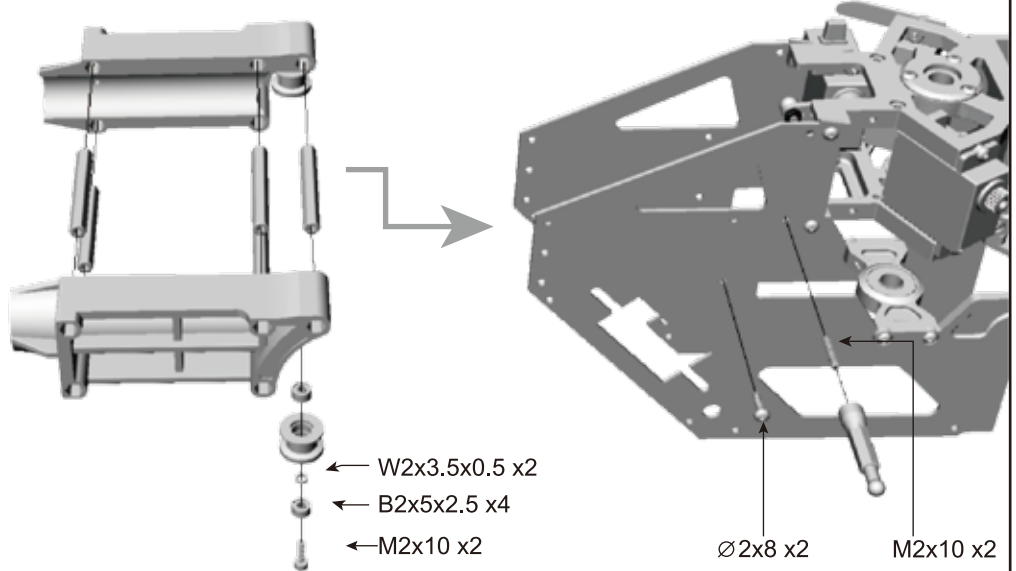


本圖組裝方式以單側組裝示意。
This picture only shows one side of carbon frame.







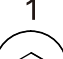


3

- | | |
|--|---|
|  |  |
| M2X10 | 2 |
|  |  |
| ∅ 2X8 | 2 |
|  |  |
| M2X10 | 2 |


- 216141
216145
216151
216216

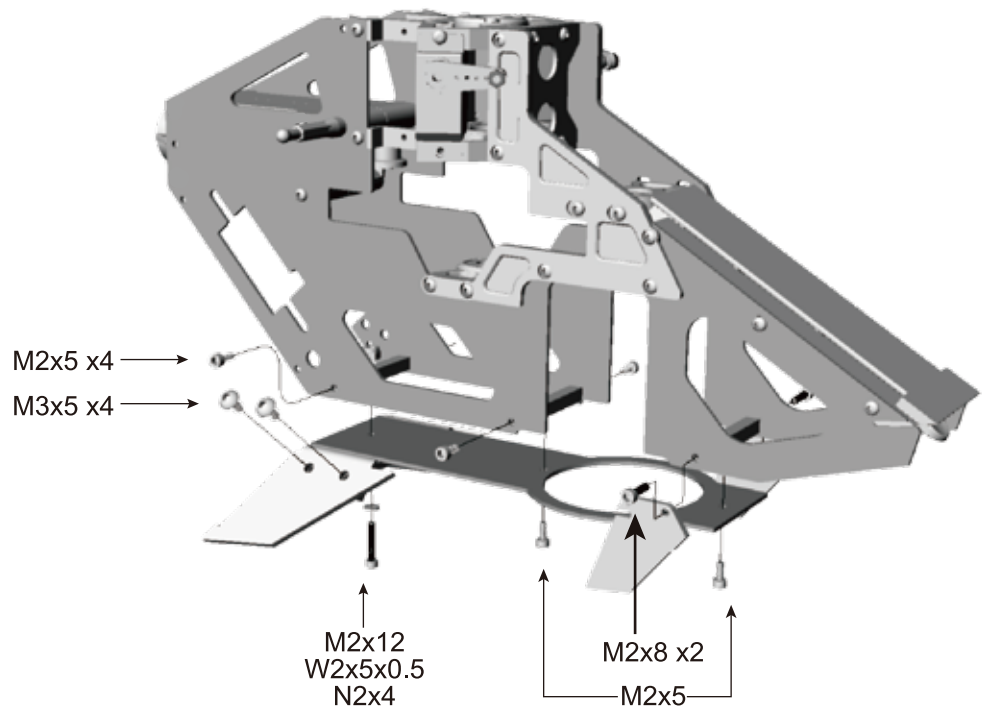


4

- | | |
|--|---|
|  |  |
| M2X8 | 2 |
|  |  |
| M2X5 | 6 |
|  | |
| M2X12 | 1 |
|  |  |
| M3X5 | 4 |
|  |  |
| N2X4 | 1 |

- 034211
034212
034604

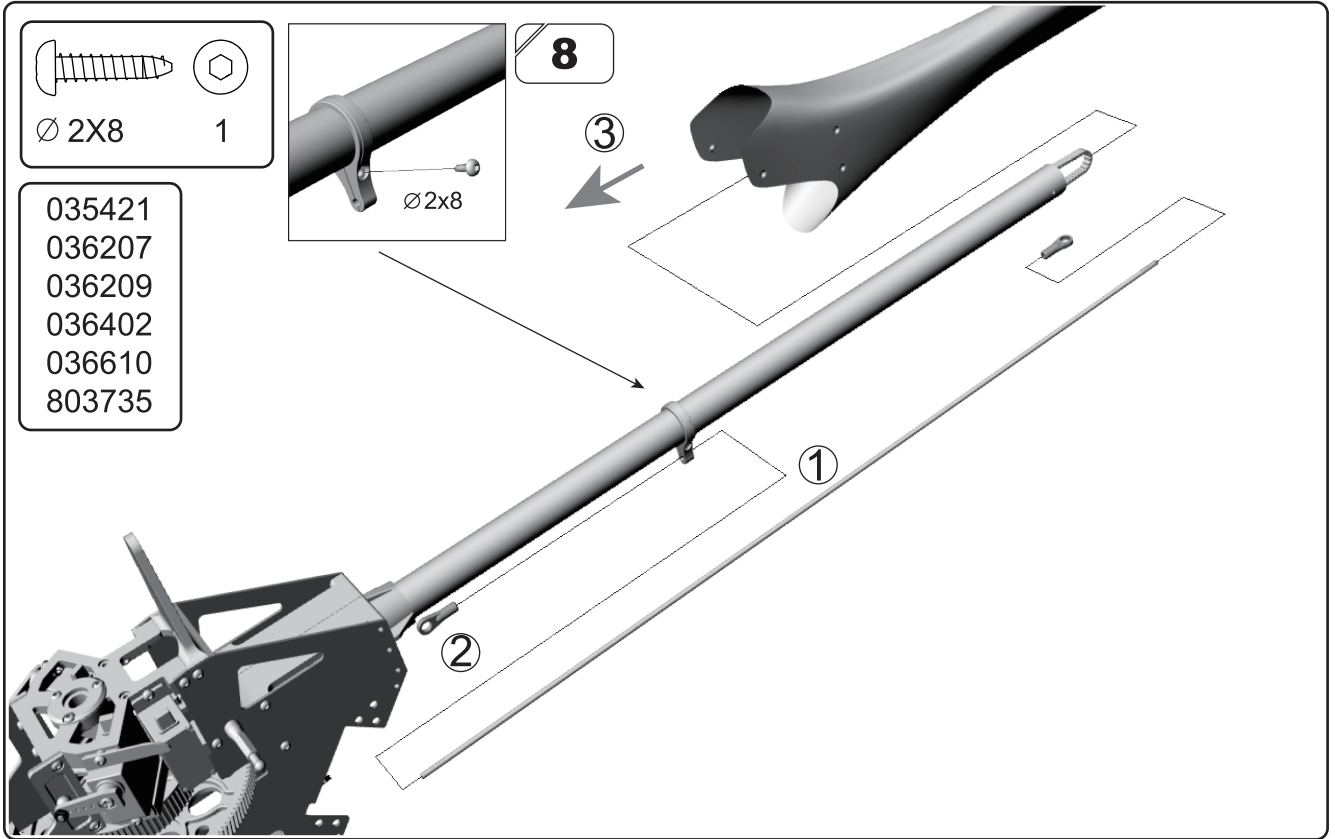
 螺絲均需上止滑劑
All Screws on side plates should be applied with thread locker.



Tail Boom Assembly

尾管組裝

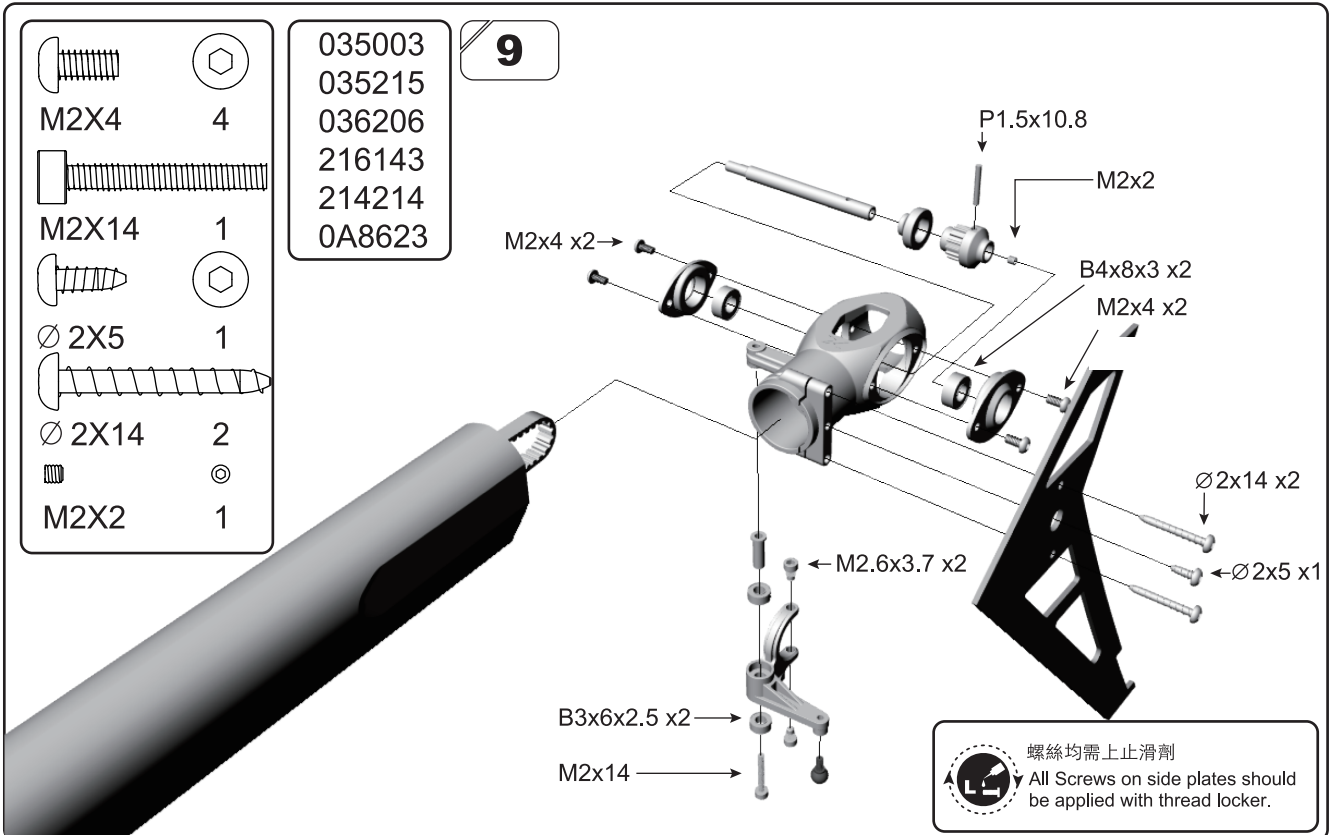
GAUI TAI SHIH HOBBY CORPORATION



Tail Rotor Case Assembly

尾殼組裝

GAUI TAI SHIH HOBBY CORPORATION



Main Gear Assembly1

主齒盤組裝1

GAUI TAI SHIH HOBBY CORPORATION



M2X4

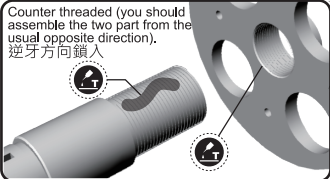
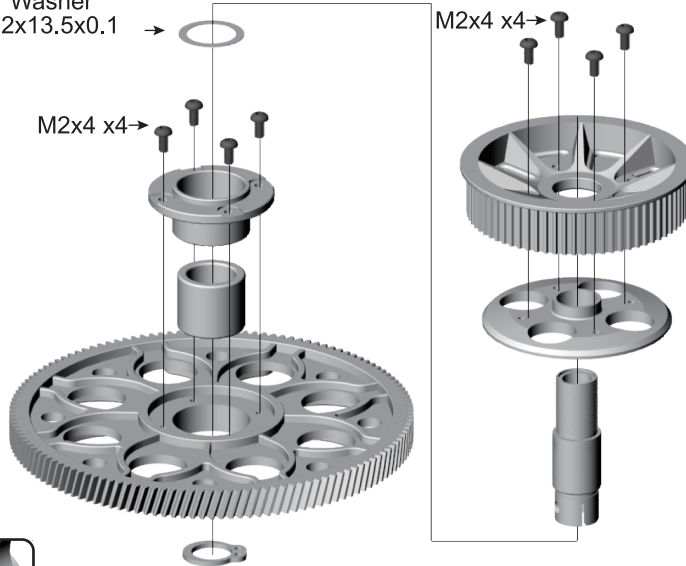


8

7

Washer
10.2x13.5x0.1

216111
216114
216182
216215
216351



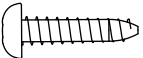
螺絲均需上止滑劑

All Screws on side plates should be applied with thread locker.

Main Gear Assembly2

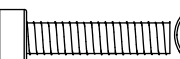
主齒盤組裝2

GAUI TAI SHIH HOBBY CORPORATION



Ø 2X8

6



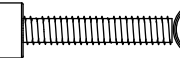
M2.5X12

1



N2.5X5L

1

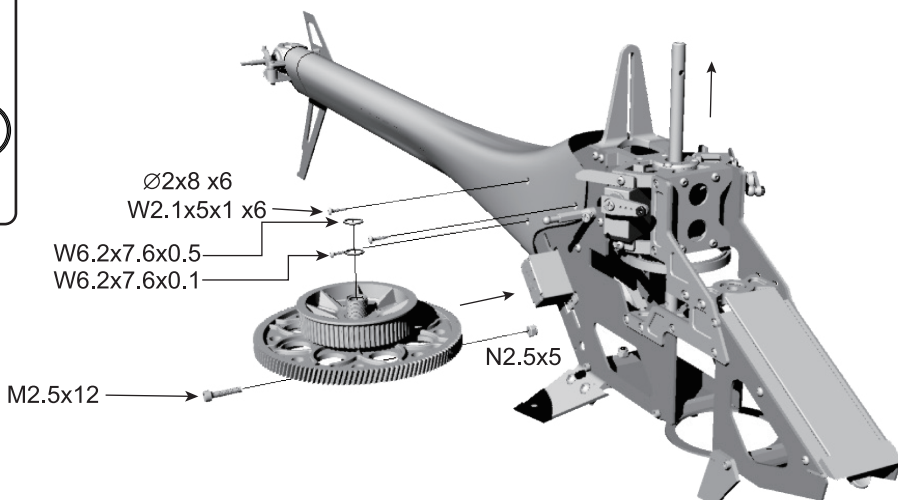
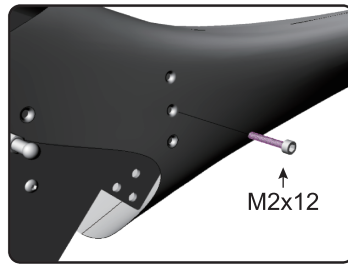


M2X12

1

034220

036402





M3X5



2

13



M3X3



2

033216

034213

034214

034216



One can use a small strip of paper to adjust the pinion / main gear mesh to be around 0.1mm.
 可使用1張紙滾入齒輪之間調整間隙為0.1mm。



M2X5



4



M3X8



4



N2X4



2



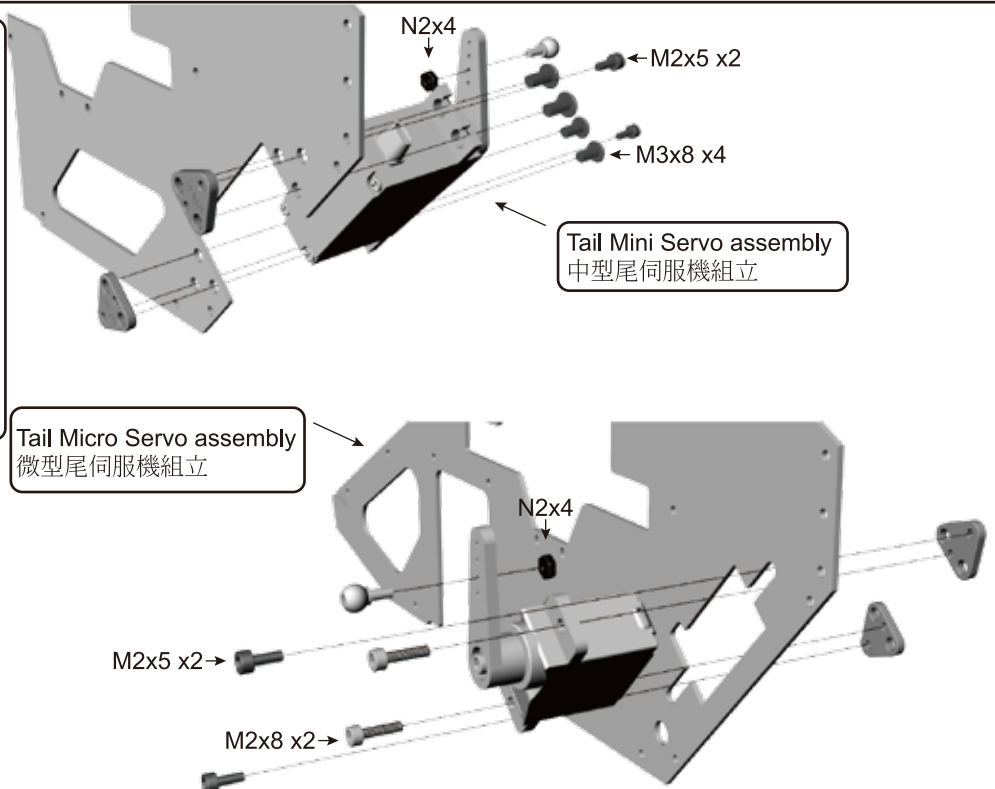
M2X8



2

216150

12



Tail Micro Servo assembly
 微型尾伺服機組立

Tail Mini Servo assembly
 中型尾伺服機組立

2 BLADES ROTOR ASSEMBLY

兩槳旋翼組裝



若您選購的產品為3槳版本請參照p.14 組裝說明

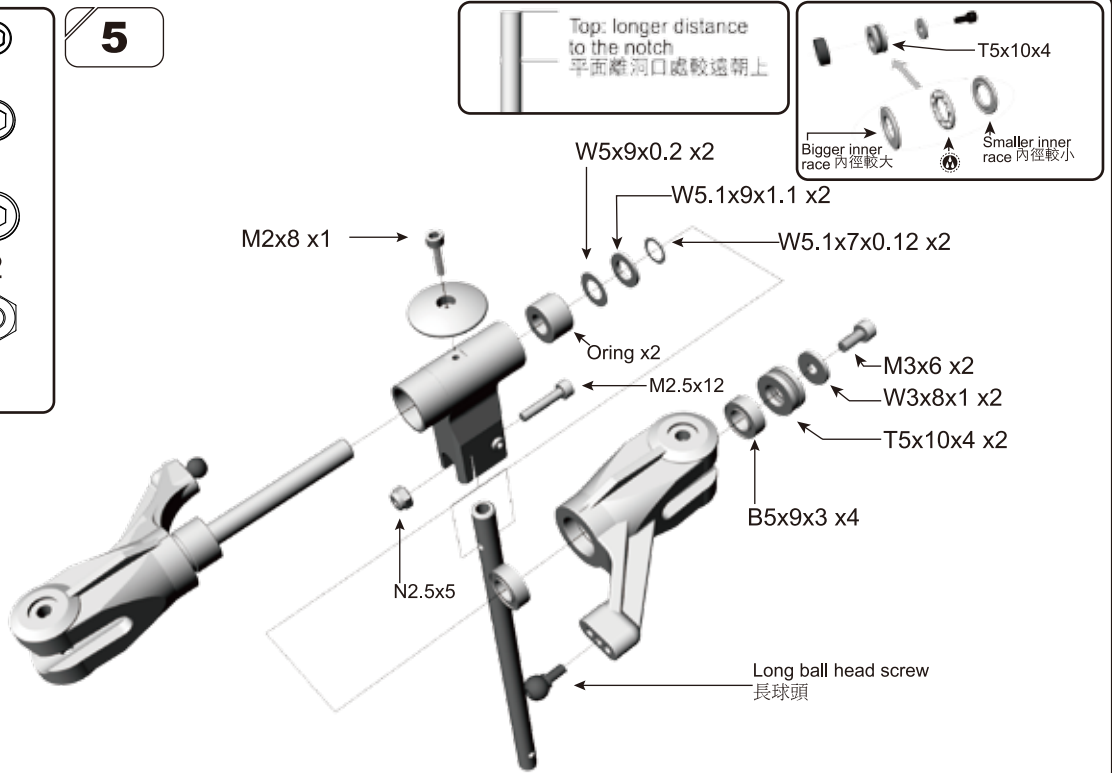
If you purchase a three blades version, please go to page 14 for Assembly instruction

2 Blades Rotor Head Assembly1 2槳主旋翼頭組裝1

GAUI TAI SHIH HOBBY CORPORATION

- | | | |
|---------|---|----------|
| | | 5 |
| M2X8 | 1 | |
| | | |
| M2.5X12 | 1 | |
| | | |
| M3X6 | 2 | |
| | | |
| N2.5X5L | 1 | |

- 032210
- 216101
- 216102
- 216103
- 216109
- 216121
- 216123
- 216171
- 216201
- 216202
- 216337
- 216339
- 216343
- 883552



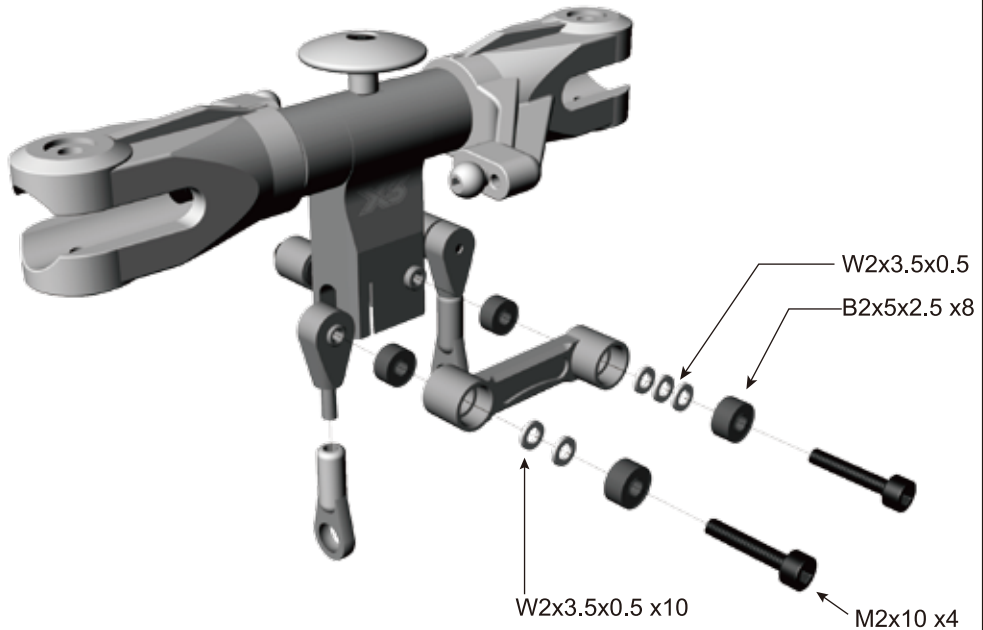
2 Blades Rotor Head Assembly2 2槳主旋翼頭組裝2

GAUI TAI SHIH HOBBY CORPORATION

- | | |
|-------|---|
| | |
| M2X10 | 4 |

- 216107
- 216108
- 803735

5-1



2 Blades Swashplate Assembly

2 槳十字盤組裝

GAUI TAI SHIH HOBBY CORPORATION

6



∅ 2X3.5



3

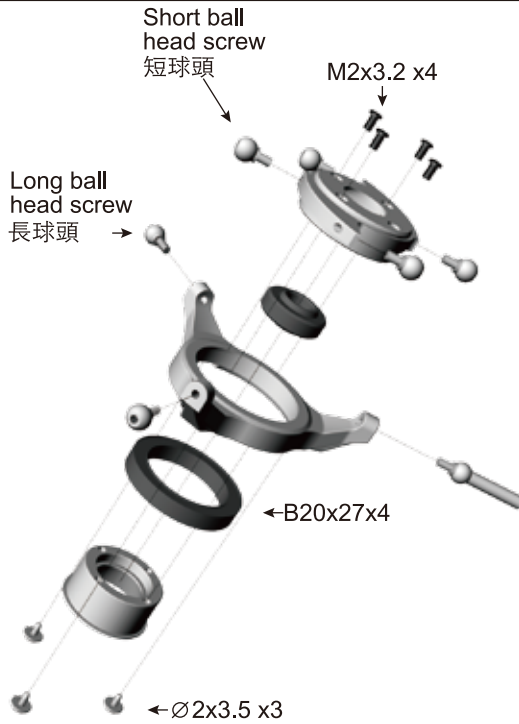


M2X3.2



4

216104
216105
216106
216340



2 Blades Tail Rotor Assembly

2 槳尾旋翼組裝

GAUI TAI SHIH HOBBY CORPORATION



M2X5



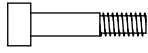
2



M2X8



2



M2X10



2

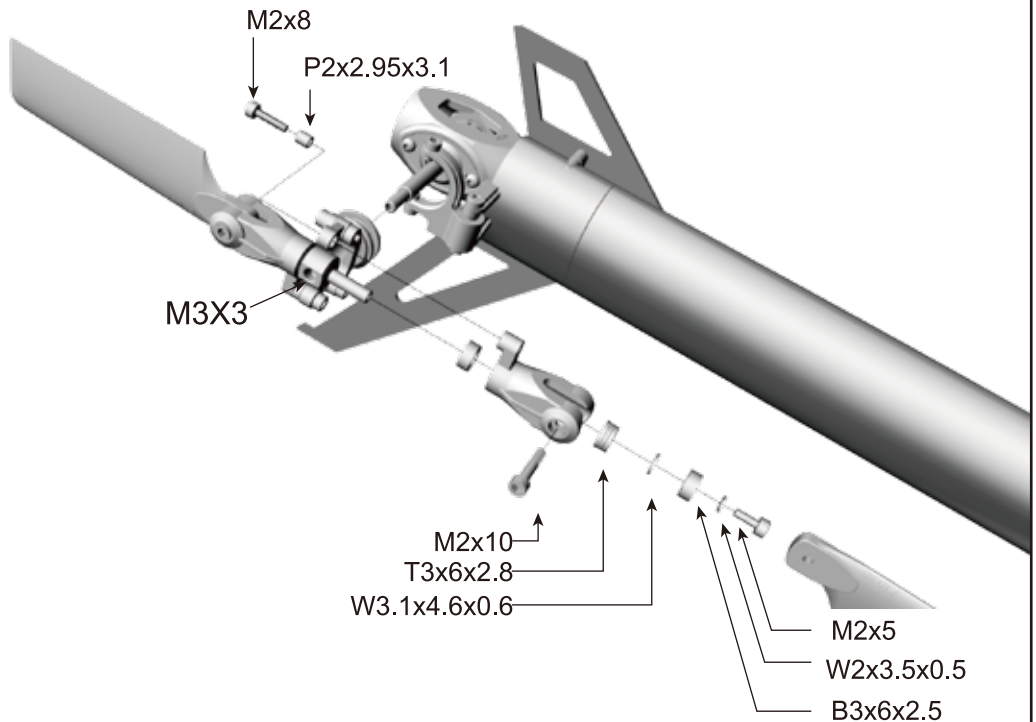


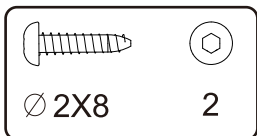
M3X3



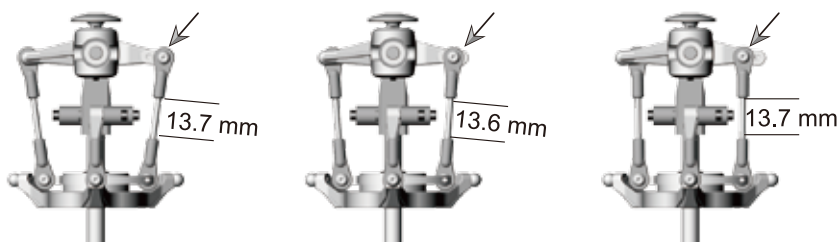
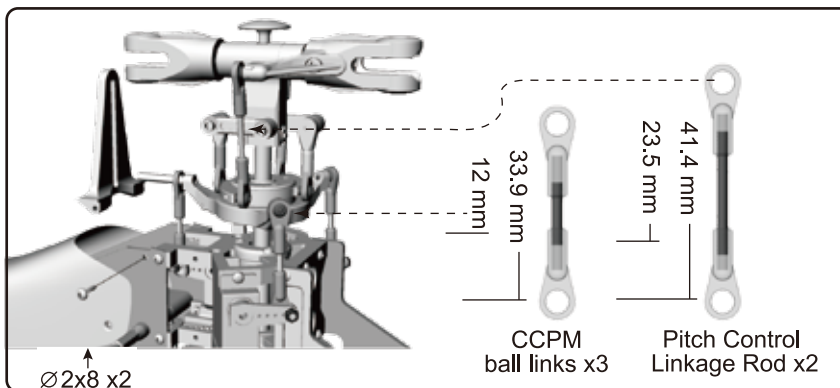
1

036402
216115
216117
216118
216122
216161
216203



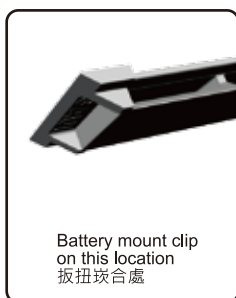
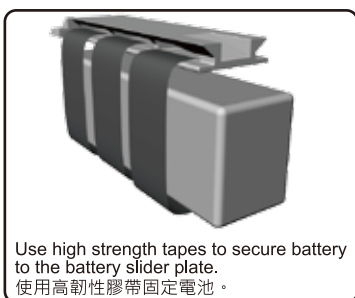


216137
216342
803735



Different ball head installation on grip lever affects flight response, adjust position according to personal preference. However the same position must be selected for both grip levers.
不同的球頭位置會影響飛行的反應速度，請依個人需求調整適當的位置。主旋翼槳夾的球頭需同位置。

033406



Insert the battery slider plate into the battery mount, make sure it is inserted all the way and clips (secured) into place.
將固定好的電池滑板組置入電池滑座內，確認插入至底與扳扭完全嵌合。

We highly recommend every customer get the latest manual from our website by scanning the QR CODE.
我們建議您掃描 **QR CODE** 下載最新手冊。

3 BLADES ROTOR ASSEMBLY

三槳旋翼組裝



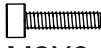



若您選購的產品為2槳版本請參照p.9組裝說明

If you purchase a three blades version, please go to page 9 for Assembly instruction

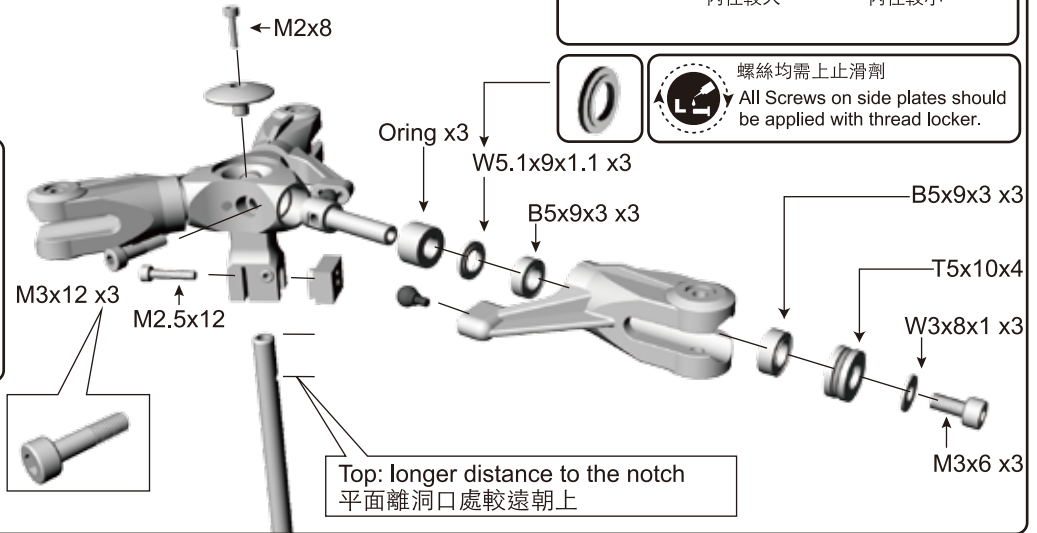
3 Blades Rotor Head Assembly 三槳主旋翼頭組裝

GAUI TAI SHIH HOBBY CORPORATION

5

-  M2X8 1
-  M2.5X12 1
-  M3X6 3
-  M3X12 3

- 032207 216123
- 032208 216171
- 032401 216201
- 032601 216337
- 032602 216339
- 032603 883552



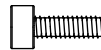


螺絲均需上止滑劑
All Screws on side plates should be applied with thread locker.

Top: longer distance to the notch
平面離洞口處較遠朝上

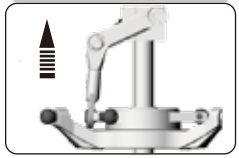
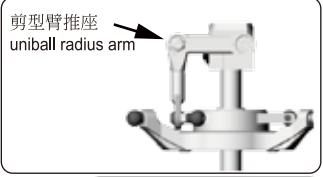
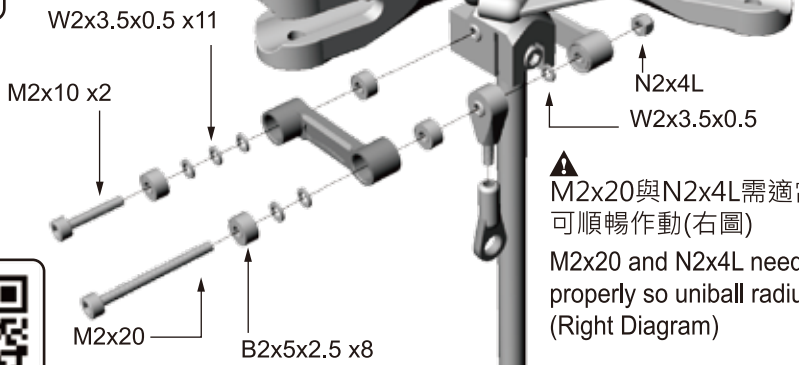
3 Blades Rotor Head Assembly2 三槳主旋翼頭組裝2

GAUI TAI SHIH HOBBY CORPORATION

5

-  M2X10 2
-  M2X20 1
-  N2X4L 1

- 216107
- 216108
- 803735



⚠ M2x20與N2x4L需適當鎖緊讓剪型臂推座可順暢作動(右圖)
M2x20 and N2x4L need to be screwed properly so uniball radius arm can move freely. (Right Diagram)

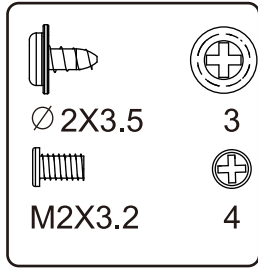
▲ Tips



3 Blades Swashplate Assembly

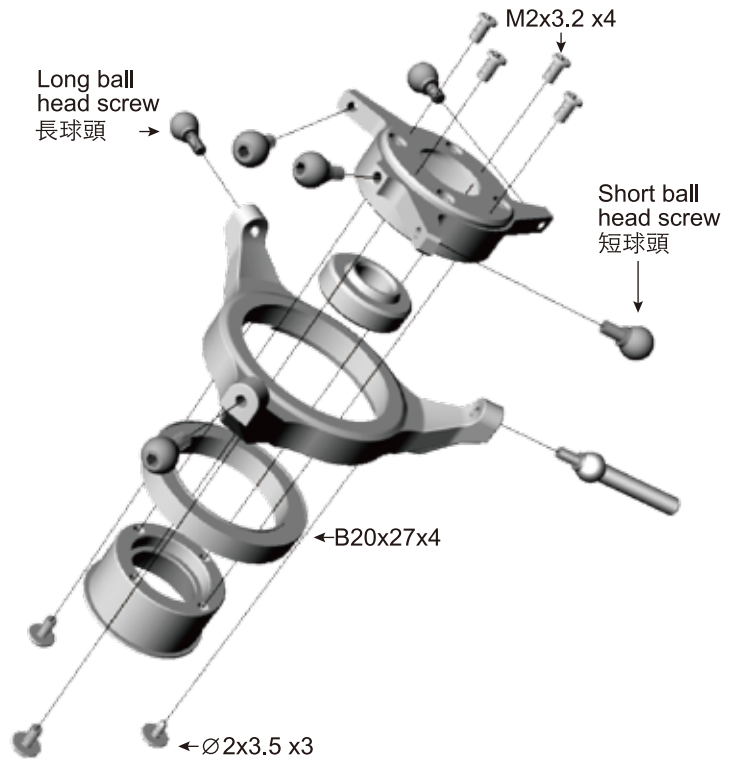
3 槳十字盤組裝

GAUI TAI SHIH HOBBY CORPORATION



6

032209
216106
216340

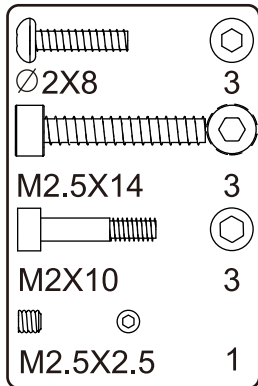


螺絲均需上止滑劑
All Screws on side plates should be applied with thread locker.

3 Blades Tail Rotor Assembly

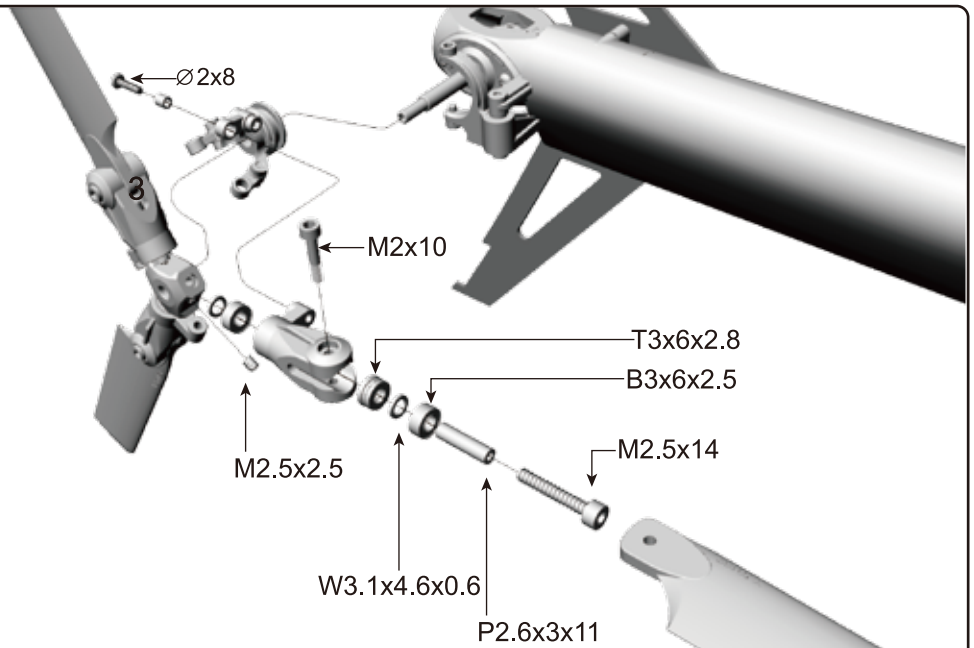
3 槳尾旋翼組裝

GAUI TAI SHIH HOBBY CORPORATION



036606
036607
036608
036609
037206
216122
216161

10



螺絲均需上止滑劑
All Screws on side plates should be applied with thread locker.

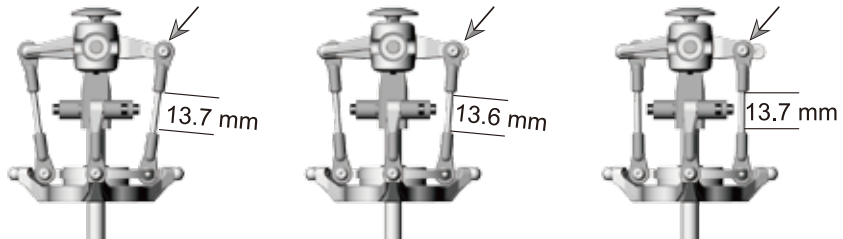
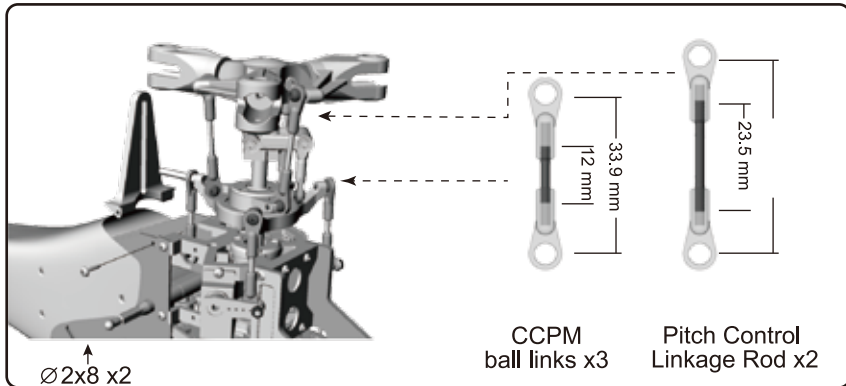


Ø 2X8



2

216137
216342
803735



Different ball head installation on grip lever affects flight response, adjust position according to pilot own preference. However the same position must be selected for both grip levers.
不同的球頭位置會影響飛行的反應速度，請依個人需求調整適當的位置。主旋翼槳夾的球頭需同位置。

033406



Use high strength tapes to secure battery to the battery slider plate.
使用高韌性膠帶固定電池。



Battery mount clip on this location
扳扭嵌合處

Insert the battery slider plate into the battery mount, make sure it is inserted all the way and clips (secured) into place.

將固定好的電池滑板組入電池滑座內，確認插入至底與扳扭完全嵌合。

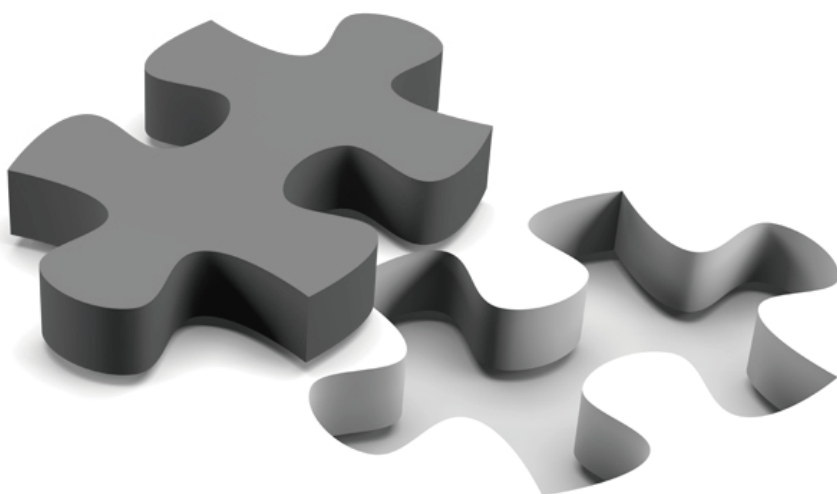
We highly recommend every customer get the latest manual from our website by scanning the QR CODE.

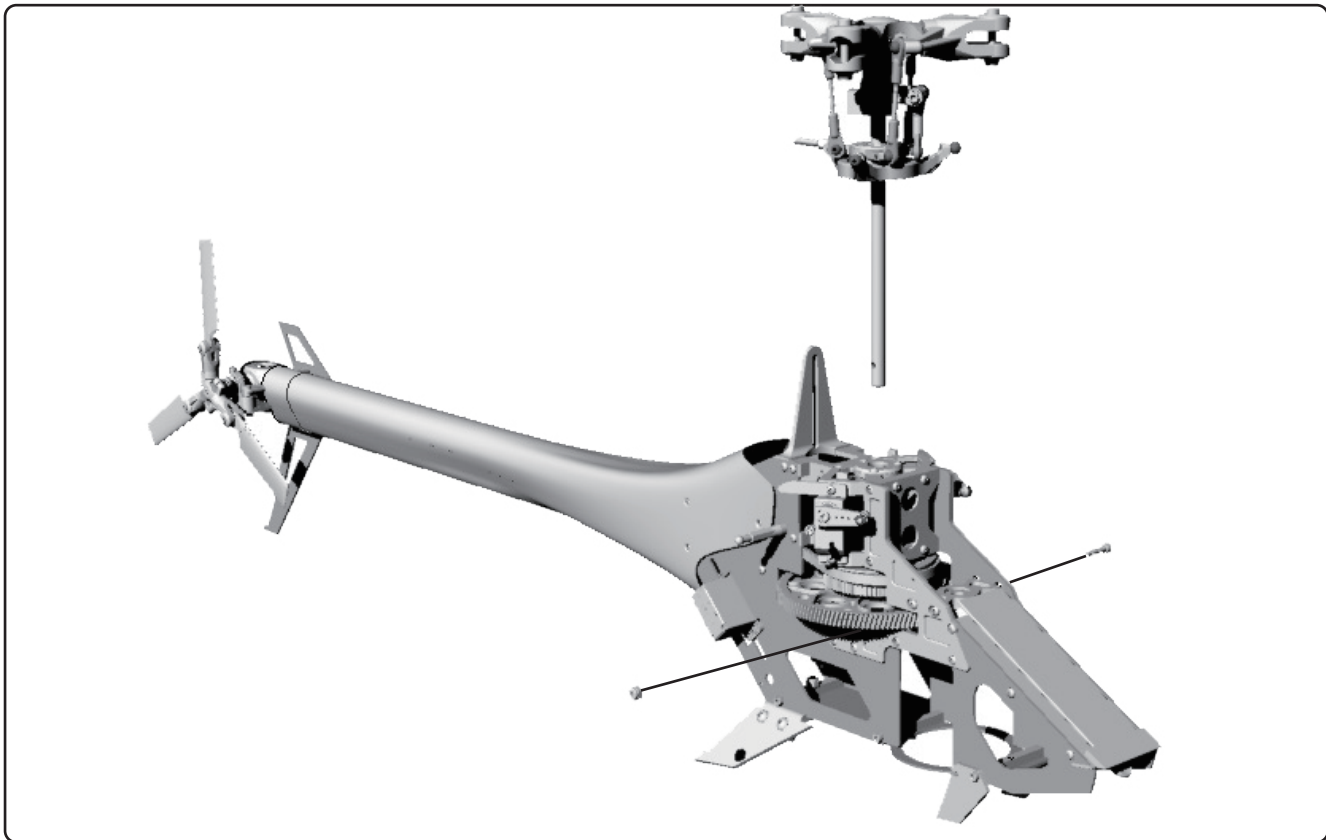
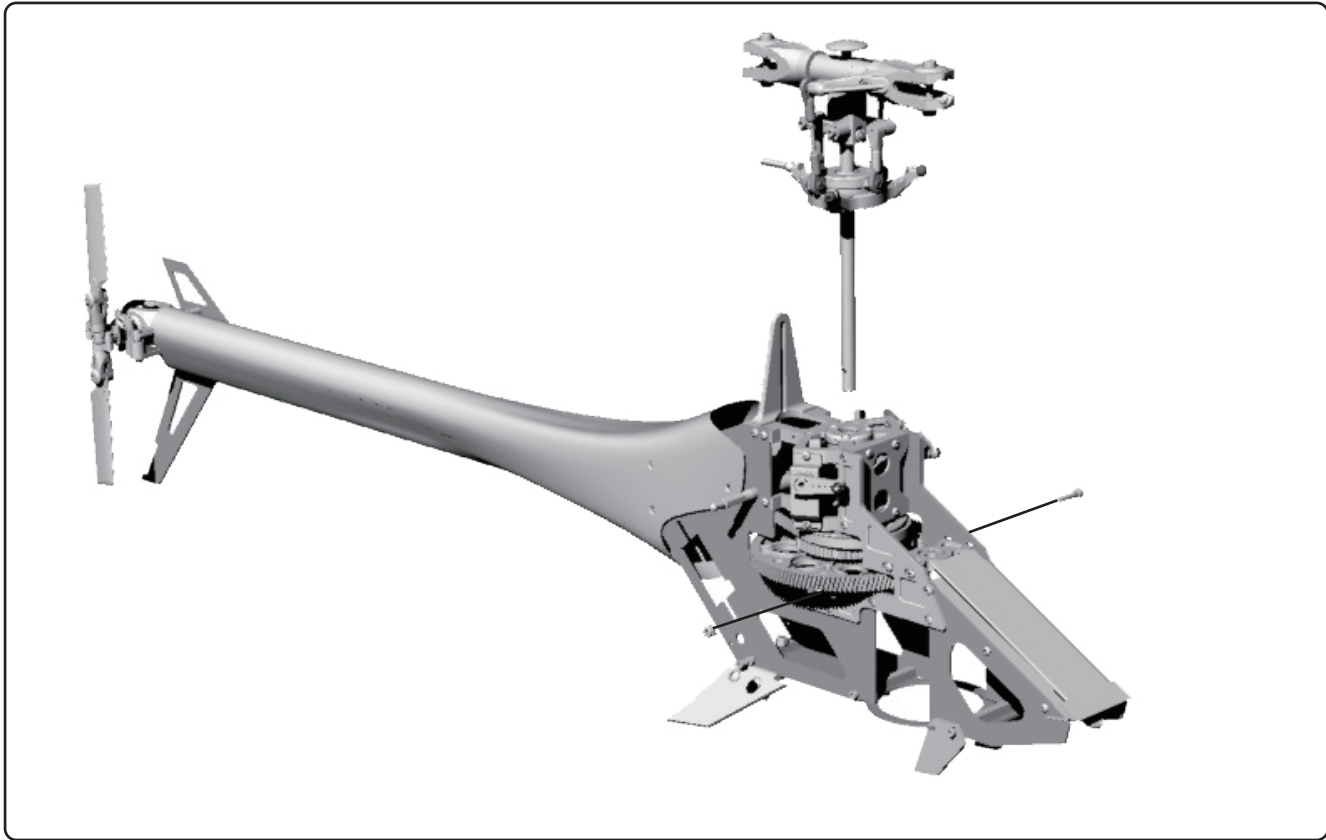
我們建議您掃描 **QR CODE** 下載最新手冊。

GAUI

FINAL STEP

最後一步





032207	#N/A	CNC 3 槳旋翼頭(for X3)	CNC 3 Blades Rotor Head(for X3)
032208	#N/A	3槳橫軸包(for X3)	3 Blades Rotor Spindle Shafts Pack(for X3)
032209	#N/A	CNC 3槳十字盤(for X3)	CNC 3 Blades Swashplate Set Red anodized(for X3)
032601	#N/A	CNC 3槳主旋翼總成(for X3)	CNC 3 Blade Rotor Head Ass'y(for X3)
032602	#N/A	CNC 3槳主旋翼改裝套件(for X3)	CNC 3 Blades Rotor Head Upgrade Kit(for X3)
031201	216101	CNC 主旋翼頭(for X3)	CNC Rotor Head(for X3)
031202	216102	主旋翼夾頭(for X3)	Main Blade Grip(for X3)
031203	216104	十字盤組(for X3)	Swashplate Set(for X3)
032210	#N/A	主旋翼橫軸x2個(for X3L 2槳)	Main Rotor Head Spindle x2pcs(for X3L 2Blades)
031204	216107	CNC剪型臂(電鍍黑)(for X3)	CNC Washout Arm Assembly (Black anodized)(for X3)
031205	216108	CNC剪型臂推桿組(電鍍黑)(for X3)	CNC Washout Arm pushrod linkage set(for X3)
031401	216121	主旋翼夾頭(無配件)(for X3)	Main Blade Grips (No accessories)
031403	216123	煞車盤(for X3)	Stop Plate(for X3)
031402	216171	橫軸橡皮墊(硬度80)(for X3)	Head Damper (Hardness 80)(for X3)
0P3360	#N/A	HALO 碳纖維槳360L(CFA)(3槳用)	HALO CF Main Blades (360L-CFA)(for 3Blades)
0P1360	216703	HALO 碳纖維槳360L(CFA)	HALO CF main blades (360L-CFA)
037124	#N/A	碳纖維艙罩組(A9型 黃)(for X3L)	Type A9 Canopy+Tail Boom in yellow(for X3L)
033206	#N/A	伺服機座軸承蓋(for X3)	Servo Mount Bearing Cap(for X3)
033216	#N/A	X3 馬達座(B型)	X3 Motor Mount (Type B)
034212	#N/A	X3 CNC 碳纖維腳架組(for 034601)	X3 CNC CF Landing Gear(for 034601)
034601	#N/A	X3 碳纖維側板改裝(套件A)	X3 Frame Conversion Set(Kit A)
034602	#N/A	X3 改裝碳纖維側板(右)	CF Right Main Frame(for X3 Upgrade)(Right)
034603	#N/A	X3 改裝碳纖維側板(左)	CF Left Main Frame(for X3 Upgrade)(Left)
034604	#N/A	X3 改裝碳纖維底板	CF Base Plate(for X3 Upgrade)
033202	216111	單向上齒盤輪殼(for X3)	Crown Gear Hub with One Way Sleeve(for X3)
033203	216114	主齒盤輪殼(for X3)	Main Gear Hub(for X3)
033204	216125	下主軸座(for X3)	Main Shaft Third Bearing Mount(for X3)
033205	216127	主軸伺服機座(for X3)	Main Shaft Servo Mount(for X3)
033404	216137	滑軌座(for X3)	Swashplate Guide(for X3)
033405	216139	電池滑板組(for X3)	Battery Slider Plate Set(for X3)
033406	216140	電池滑板x2個(for X3)	Battery plate x 2pcs(for X3)
033407	216141	管夾組(for X3)	Boom Clamp Set(for X3)
033408	216145	艙罩支柱組(A型)(for X3)	Canopy Post (A type)(for X3)
033410	216150	伺服機固定座(for X3)	Servo mount washer(for X3)
033411	216151	六角柱(for X3)	Hexagonal Post pack(for X3)
034402	216215	71T前皮帶輪(for X3)	71T Gears (for Belt version) (for X3)
033403	216182	131T主齒盤斜齒x2個(for X3)	131T Main Drive Gear x2pcs(for X3)
034203	216216	附軸承皮帶導輪(for X3)	Guide Wheels with Bearings Pack(for X3)
031208	216201	主軸125mm x2個(for X3)	Main Shaft 125mm x2pcs(for X3)
033003	216253	碳纖維隔板(for X3)	CF Divider(for X3)
033004	216255	碳纖維艙罩固定片x4個(for X3)	CF canopy retainer set x4pcs (for X3)

【Common parts】 Tail Rotor Maintenance

035215	#N/A	一體式尾殼組(皮帶版)(for X3)	Tail Case Assembly (with gears)(for Belt version)(for X3)
035421	#N/A	拉桿座(for X3)	Rudder Control Guide(for X3)
036207	#N/A	X3 尾管(for皮帶版)(for 385L)	X3 Tail Boom (for Belt version)(for 385L) x2pcs
036209	#N/A	尾拉桿組(皮帶版用)(for X3L)	Tail push rod (for Belt version)(for X3L)
036402	#N/A	皮帶 544MXL(for X3)(for 385L)	Belt 544MXL(for X3)(for 385L)
036610	#N/A	皮帶版改裝套件(for X3L)	Belt conversion Pack(for X3L)
035401	216122	尾旋翼夾頭(無配件)(for X3)	Tail Blade Grips (No accessories)(for X3)
035204	216143	雙推尾舵柄組(for X3)	Tail Rotor Control Arm Assembly(for X3)
035403	216161	尾旋翼(62mm)(for X3)	Tail Rotor Blade Set(62mm)(for X3)
036205	216214	尾軸附皮帶輪組x2個(for X3)	Tail Output Shaft with Pulley x2pcs(for X3)
035003	#N/A	碳纖尾翼 (for X3L)	CF Fin (for X3L)

【2Blade】 Tail Rotor Maintenance Parts

035201	216115	雙推螃蟹夾座(for X3)	Tail Pitch Slider Set(for X3)
035202	216117	尾旋翼夾頭組(for X3)	Tail Rotor Grip Assembly(for X3)
035208	216203	尾橫軸x2個(for X3)	Tail Hub x2pcs(for X3)

Other Category

034213	#N/A	13T 陶瓷馬達齒(孔徑5.0mm)	Ceramic Coated Pinion Gear pack(13T-for 5.0mm shaft)
034214	#N/A	13T 陶瓷馬達齒(孔徑3.5mm)	Ceramic Coated Pinion Gear pack(13T-for 3.5mm shaft)
0R7213	#N/A	半牙內六角螺絲包-黑色(M2.5x12)x10個	Semi-threaded Socket Head Cap Screw - Black (M2.5x12)x10pcs
037203	216337	主旋翼夾頭墊片(W5x9x0.2 W5.1x7x0.12)(for X3)	Main blade grip washers (W5x9x0.2 W5.1x7x0.12)(for X3)
034204	216134	CNC 後隔板(for X3)	CNC Rear Plate(for X3)
037201	216339	華司包 (W5.1x7x0.7)(W5.1x9x1.1)(W3.1x4.6x0.6)(W2.6x8x1)(for X3)	Washer Pack (W5.1x7x0.7)(W5.1x9x1.1)(W-3.1x4.6x0.6) (W2.6x8x1)(for X3)
037205	216340	十字盤球頭(for X3)	Swash Plate Ball Head screw set(for X3)
037202	216341	襯套包(W-2x3.5x0.5&P2x2.95x3.1&P-2x2.95x9.6&P2x4x2)(for X3)	Copper Sleeve & Washer Pack(W-2x3.5x0.5&P2x2.95x3.1&P2x2.95x3.1&P2x2.95x9.6&P2x4x2)
037207	216342	拉桿包 (for X3)	Linkage Pack (for X3)
0Z1352	216351	9mm C扣環x6個	9mm C-Clip x6pcs

0B2501	#N/A	止推軸承包(5x10x4)x2個	Thrust B. Pack (5x10x4)x2pcs
0B2301	805103	微型止推軸承包(T3x6x2.8)x2個	Micro Thrust B. Pack (T3x6x2.8)x2pcs
0B1202	212321	軸承包(2x5x2.5)x3個	B. Pack (2x5x2.5)x3pcs
0B1404	805112	軸承包(4x8x3)x4個	B. Pack (4x8x3)x4pcs
0B1506	805113	軸承包(5x8x2.5)x4個	B. Pack (5x8x2.5)x4pcs
0B1504	805114	軸承包(5x9x3)x4個	B. Pack (5x9x3)x4pcs
0B1204	805116	軸承包(20x27x4)	B. Pack (20x27x4)
0R7205	821605	半圓頭內六角自攻牙螺絲包-黑色(2x5)x20個	Socket Head Button Self Taping Screws - Black (2x5)x20pcs
0R7206	842034	內六角螺絲包-黑色(M2.6x6)x10個	Socket Head Cap Screw - Black (M2.6x6)x10pcs
0R7208	821608	自攻牙半圓頭內六角螺絲包-黑色(2x8)x20個	Socket Head Button Self Taping Screws - Black (2x8)x20pcs
0R7214	821614	自攻牙半圓頭內六角螺絲包-黑色(2x14)x20個	Socket Head Button Self Taping Screws - Black (2x14)x20pcs
0R1208	208877	內六角螺絲包-黑色(M2x8)x10個	Socket Head Cap Screw - Black (M2x8)x10pcs
0R1211	842009	半牙內六角螺絲包-黑色(M2x10)x10	Semi-threaded Socket Head Cap Screw - Black (M2x10)x10
0R1319	842035	半牙內六角螺絲包-黑色(M3x19)x10個	Semi-threaded Socket Head Cap Screw - Black (M3x19)x10pcs
0A8621	#N/A	4.8球頭(2x8.5mm)x6個	4.8Ball with Stand(2x8.5mm)x6pcs
0B1601	803733	軸承包(6x13x5)x4個	B. Pack (6x13x5)x4pcs
0A8501	803735	拉桿頭(4.8mm)x10個	Ball Links Pack(4.8mm)x10pcs
0B1302	805107	軸承包(3x6x2.5)x4個	B. Pack (3x6x2.5)x4pcs
0R8305	810003	止滑螺帽(N3x5.5L)x20個	Nylon Lock Nut (N3x5.5L)x20pcs
0R5203	832232	小頭機械牙螺絲(2x3.2)x20個	Tiny Head Machine Screw(2x3.2)x20pcs
0R4202	#N/A	內六角止付螺絲包-(M2x2mm)x10個 附H0.9板手	Socket Set Screw-(M2x2mm) x10pcs with H0.9 Hexagon Wrench
0R2204	842004	半圓頭內六角螺絲包-黑色(M2x4)x20個	Socket Head Button Screw - Black (M2x4)x20pcs
0R4210	835505	內六角止付螺絲(M2x10mm x10個)	Socket Set Screw(M2x10mm x10pcs)
0R1205	#N/A	內六角螺絲包-黑色(M2x5)x10個	Socket Head Cap Screw - Black (M2x5)x10pcs
0R1210	842010	內六角螺絲包-黑色(M2x10)x10個	Socket Head Cap Screw - Black (M2x10)x10pcs
0R1214	842014	內六角螺絲包-黑色(M2x14)x10個	Socket Head Cap Screw - Black (M2x14)x10pcs
0R2305	#N/A	半圓頭內六角螺絲包-黑色(M3x5)x10個	Socket Head Button Screw - Black (M3x5)x10pcs
0R8205	#N/A	螺帽(N2x4)x20個	Nut (N2x4)x20pcs
0R8206	884003	止滑螺帽 (N2.5x5L)x10個	Nylon Lock Nut (N2.5x5L)x10pcs
0Z1305	910055	艙罩墊圈(3.2x8x6.5)x6個	Canopy Damper(3.2x8x6.5) x 6pcs
0R4303	835503	內六角止付螺絲包-黑色(M3x3)x10個	Socket Set Screw - Black (M3x3)x10pcs
0Z1107	666202	HM162缺氧膠(1ml)	HM162 Anaerobic Glue (1ml)

X3L

GAUI

www.gai.com.tw

E-mail: gai@gai.com.tw

TEL: +886-2-86305567

FAX: +886-2-26105567

No.118, Ren'ai Rd., Bali Dist.,
New Taipei City 249, Taiwan