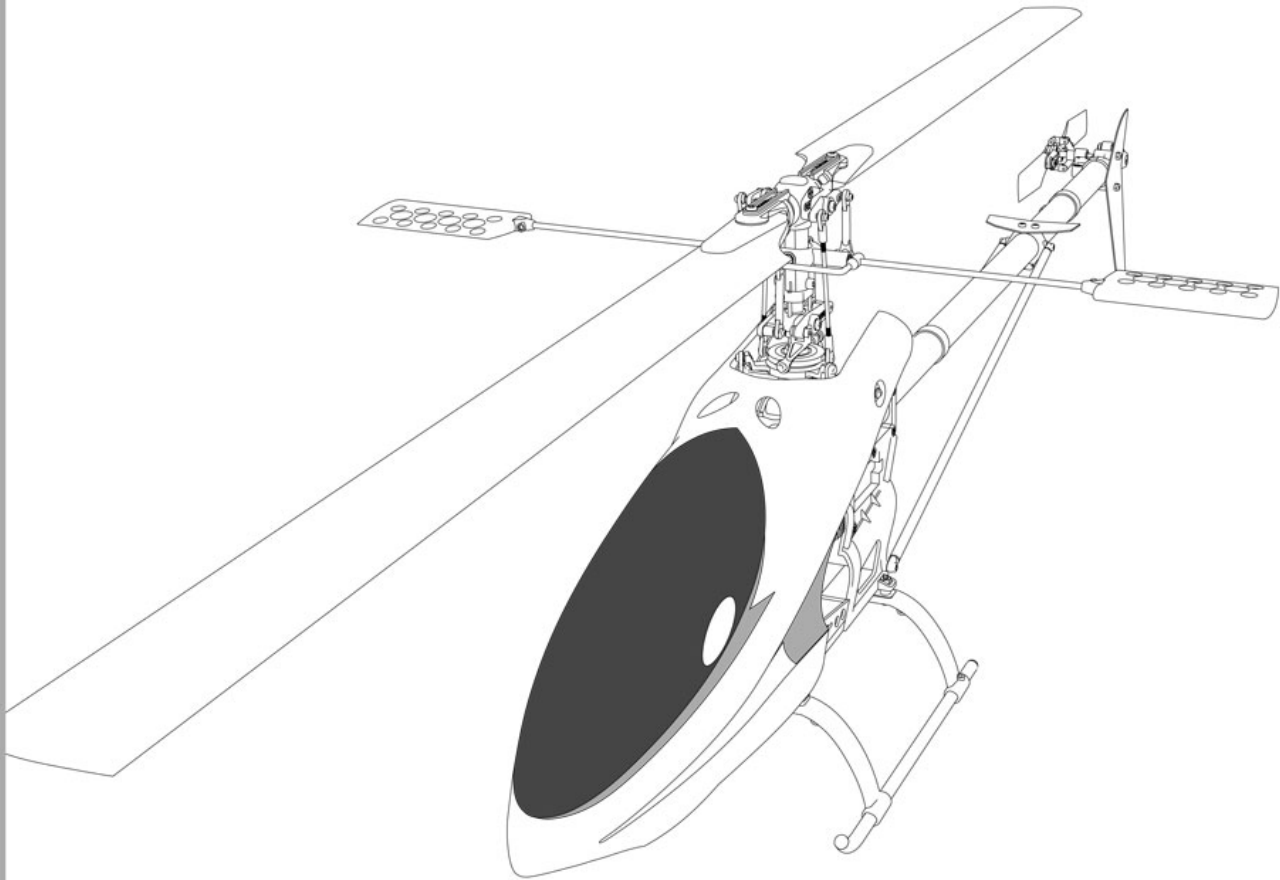


# Hurricane 550

# 颶風

## ASSEMBLY INSTRUCTION

..



# 3D

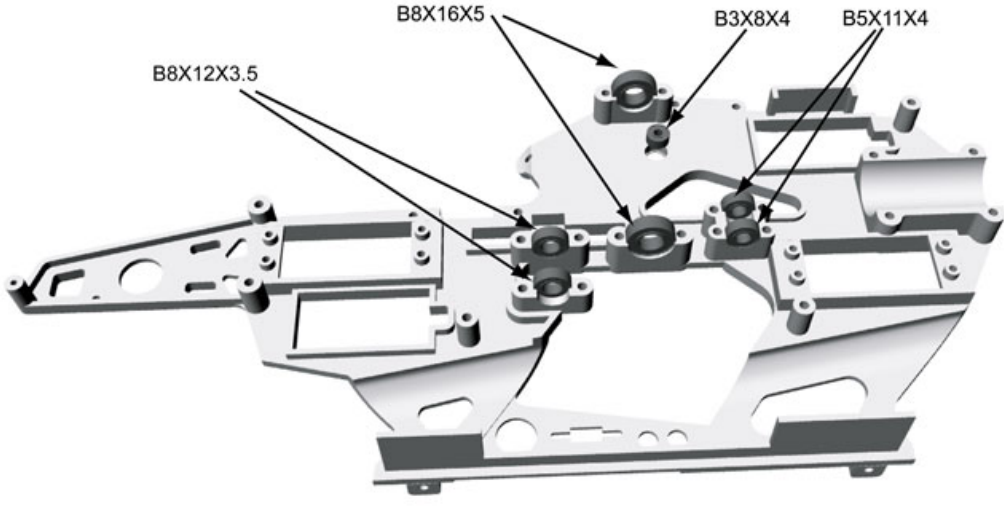
### Specification :

Overall Length(w/o Blades): 1150mm	Overall Height: 310mm	Overall Width : 85mm	Skid Width: 165mm
Main Blade Length : 500~550mm	Main Rotor Diameter: 500-1110mm	550-1210mm	Flybar Paddle Length: 485mm
Tail Blade Length: 80mm	Tail Rotor Diameter: 224mm		Speed Ratio ( Main and Tail ): 1 : 4. 36
Speed Ratio ( Motor and Main ) : 8. 99 : 1 ( Varied by Gear Ratio changed)			Flying Weight: 2000g ( Approx. )
Power System ( Recommended ) :	Motor -- 800 ~ 1200 KV	Battery -- 11.1V 2200mah 25C Li - Po in series(22.2V)	

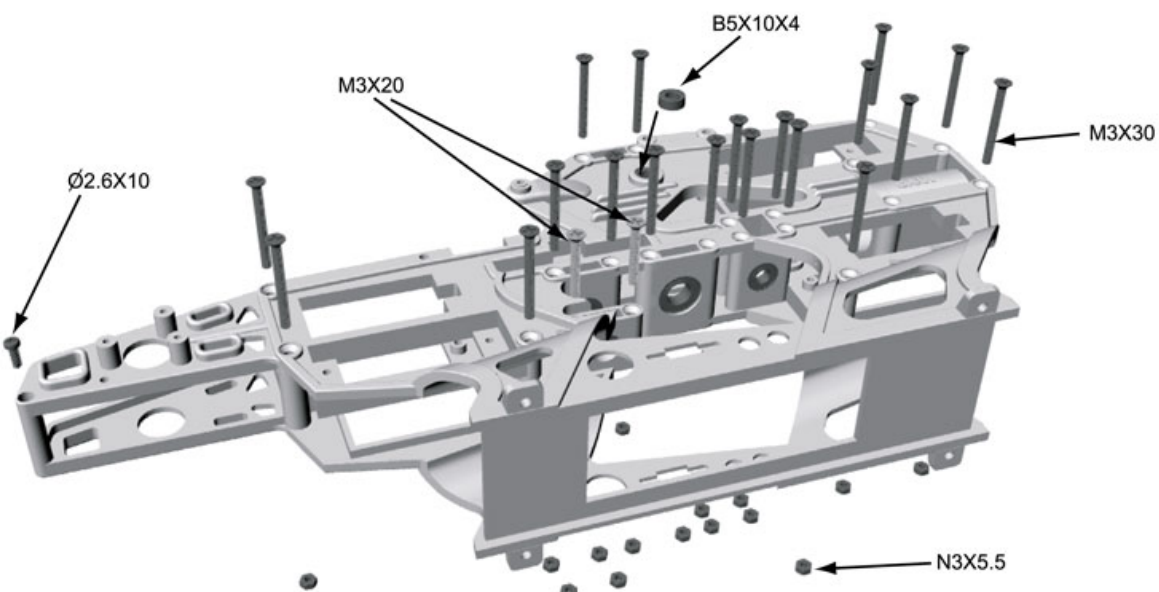
Important : The gear ratio, motor and battery should be set properly if the power system changed !!

Frame Assembly	-----	P1~P3
Rotor Head Assembly	-----	P4~P5
Tail Assembly	-----	P6~P7
Electronics Installation and Wiring	----	P8
Helicopter Setup	-----	P9
Carbon Frame Assembly (Option)	----	P10
Replacement Parts	-----	P11~P14
Optional Parts	-----	P15~P16

# Assembly 1

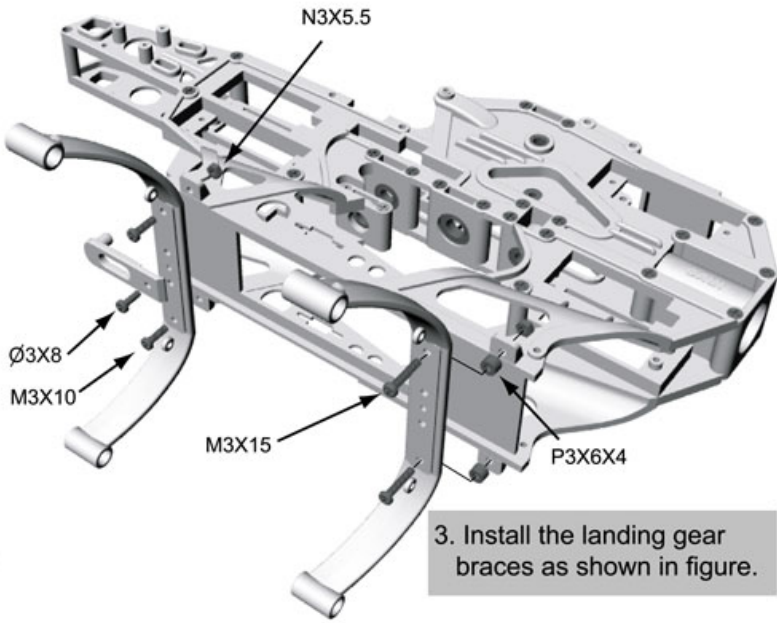


1. Install the bearings onto the frame.



2. Join both frames and tighten the bolts.

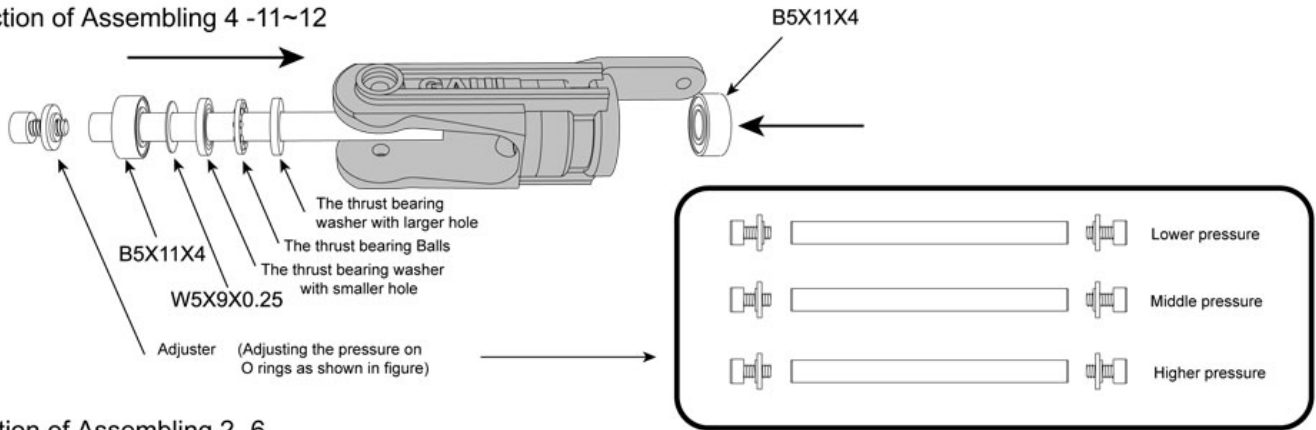
Mark	Indication (mm)
B-Bearing	B(Dia.in)x(Dia.out)x(Thickness)
O-Tap Screw	O(Dia.out)x(Length)
M-Machine Screw	M(Dia.out)x(Length)
N-Nut	N(Dia.in)x(Width)
P-Tube Pillar	P(Dia.in)x(Dia.out)x(Length) P(Dia.out)x(Length)
W-Washer	W(Dia.in)x(Dia.out)x(Thickness)



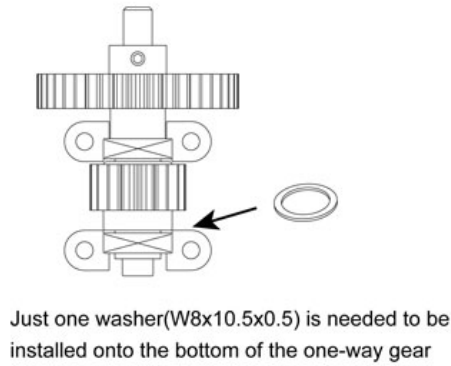
3. Install the landing gear braces as shown in figure.

# Correction

## (1) Correction of Assembling 4 -11~12



## (2) Correction of Assembling 2 -6

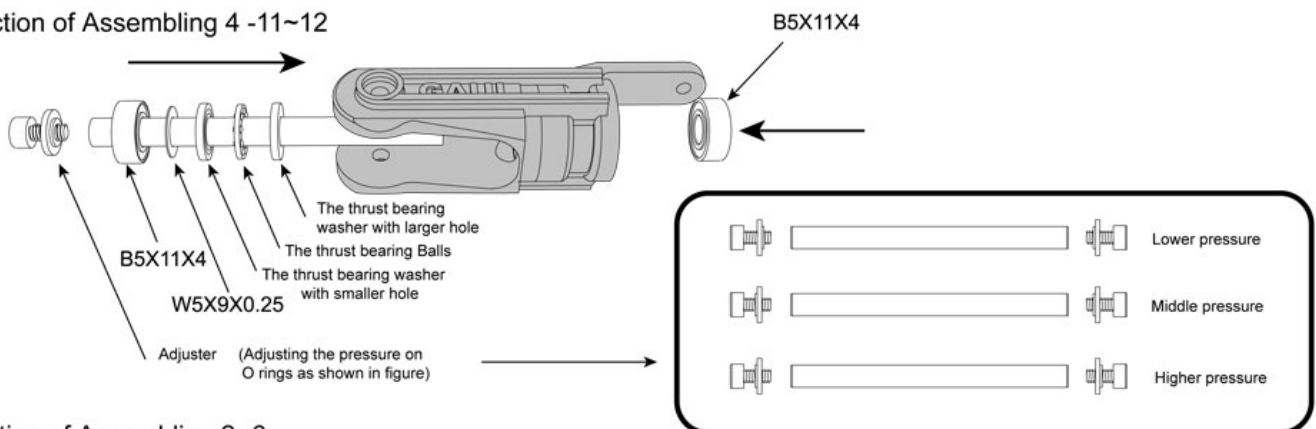


## (3) The plastic spacer of the main rotor grip should be removed.

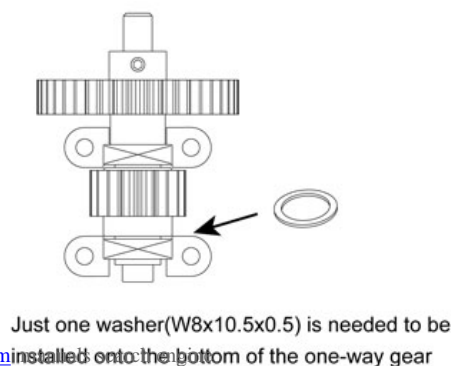


# Correction

## (1) Correction of Assembling 4 -11~12



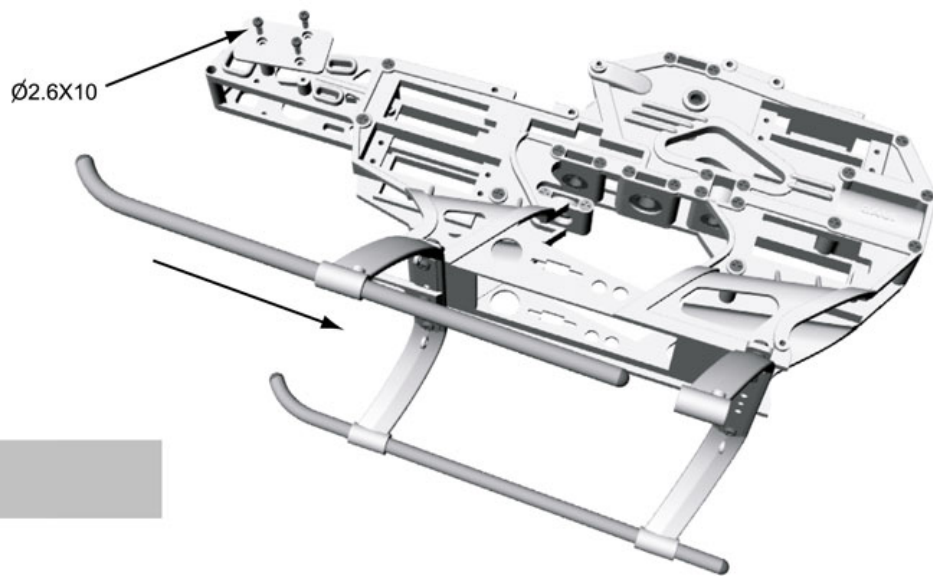
## (2) Correction of Assembling 2 -6



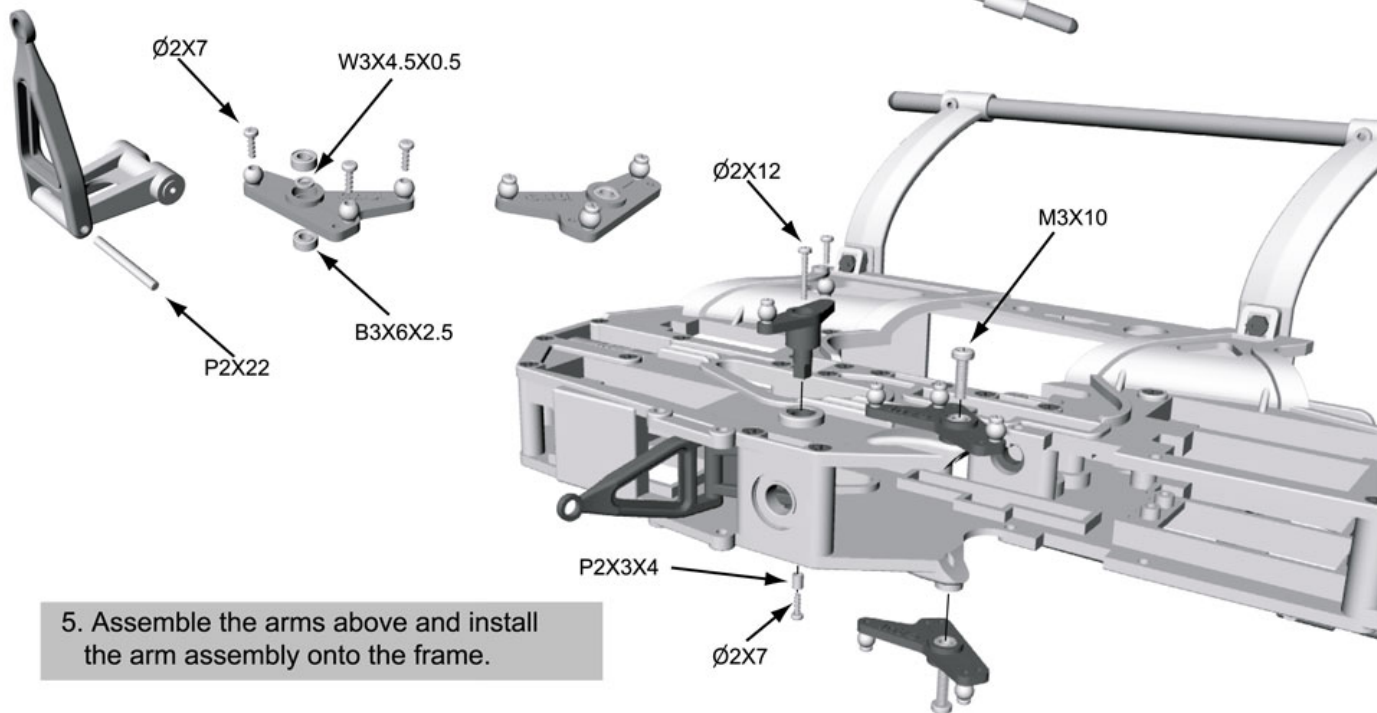
## (3) The plastic spacer of the main rotor grip should be removed.



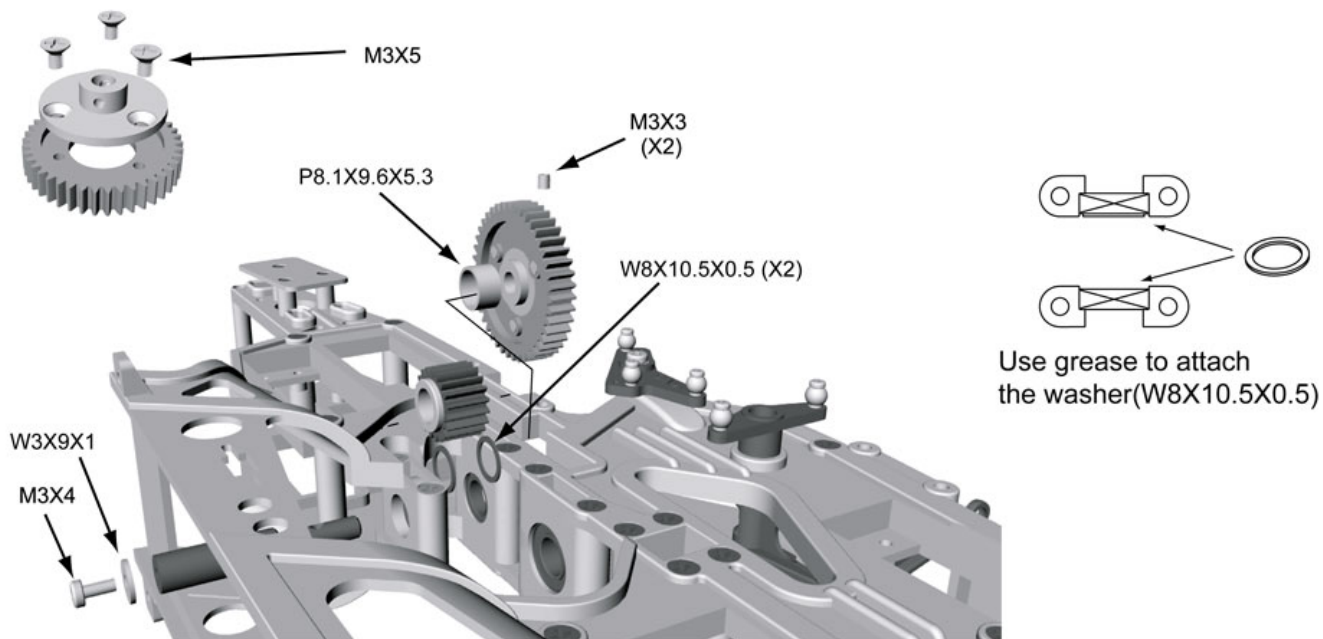
# Assembly 2



4. Install the ESC mount and the skids.

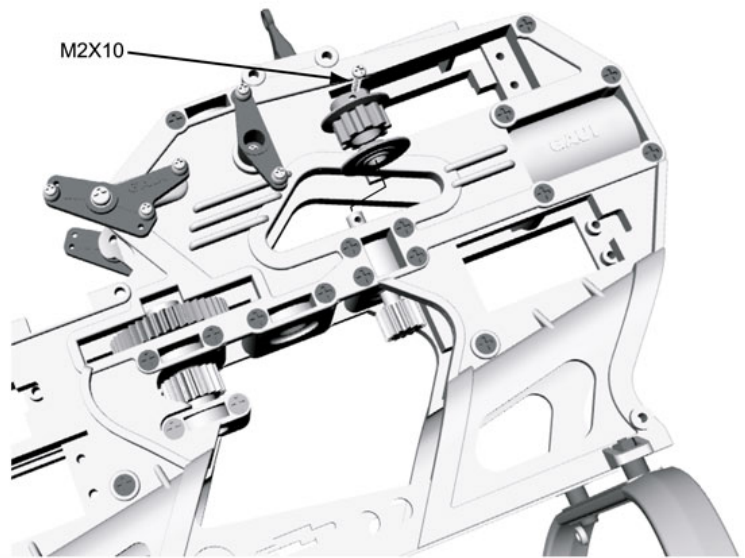
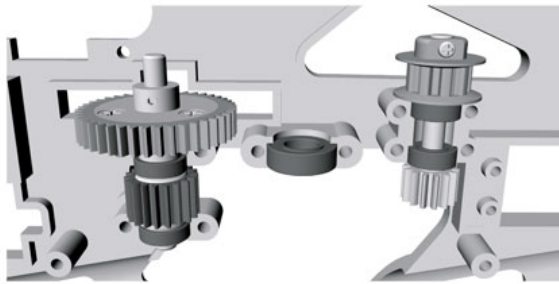


5. Assemble the arms above and install the arm assembly onto the frame.

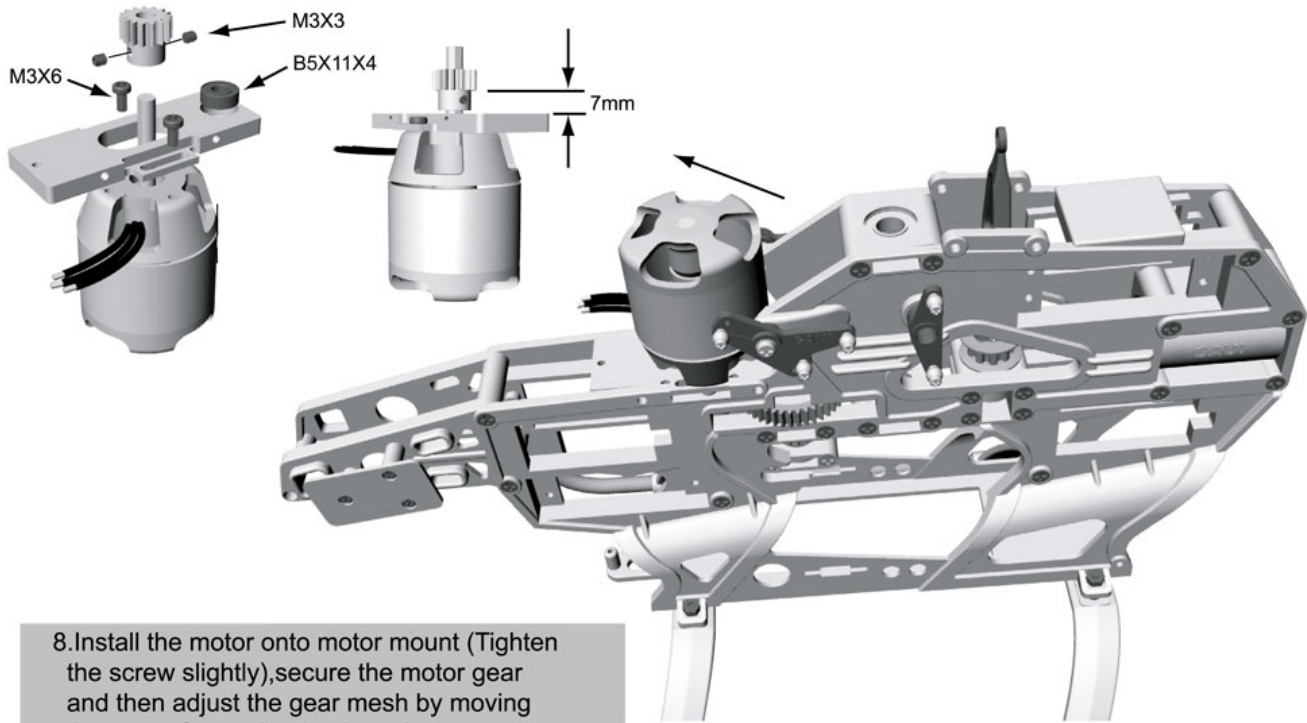


6. Assemble the front main gear and hub, join the one way gear and shaft and the front main gear assembly. (as shown in perspective)

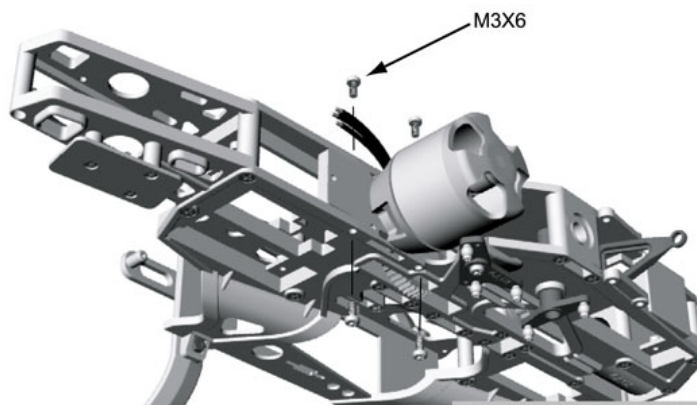
## Assembly 3



7. Install the pulley shaft and the front pulley, tighten the screw (M2x10) at the flat side of the pulley race. (as shown in perspective)

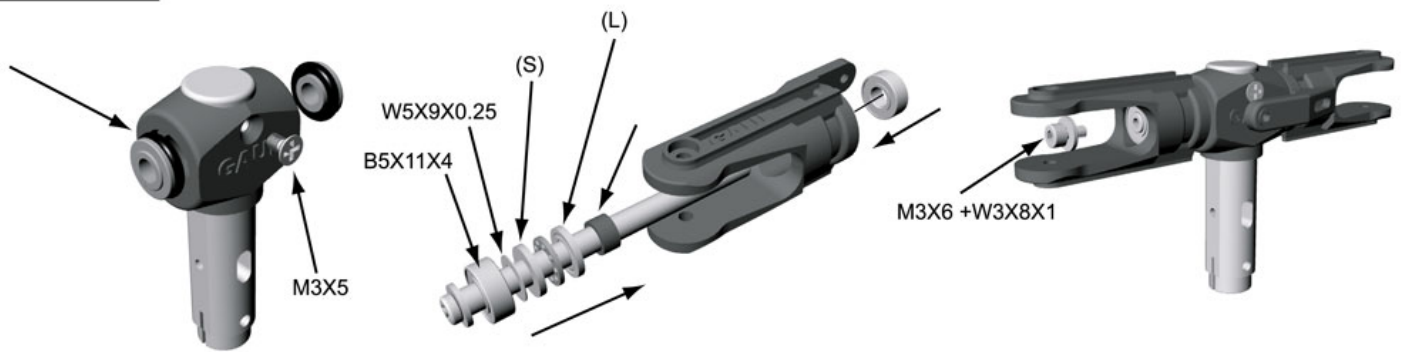


8. Install the motor onto motor mount (Tighten the screw slightly), secure the motor gear and then adjust the gear mesh by moving the motor forward or backward.



9. After the gear mesh is set properly, remove the mount (with motor and gear), then tighten the motor screws and install them onto frame.

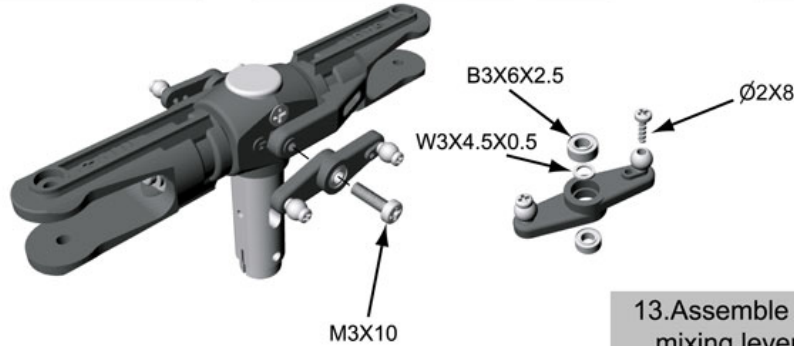
# Assembly 4



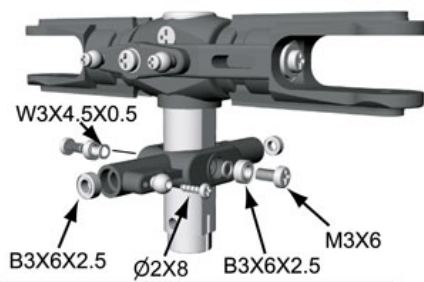
10. Join the yoke and center hub, install the head spacer & damper as shown in figure.

11. Install the parts in that order. (Notice: S - smaller hole, L - Larger hole)

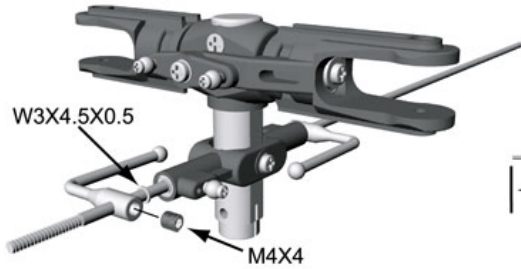
12. Assemble grips and yoke, tighten the two screws of spindle shaft.



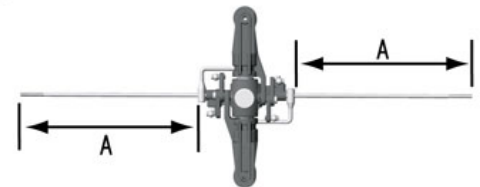
13. Assemble both of the mixing levers and join them to the grips.



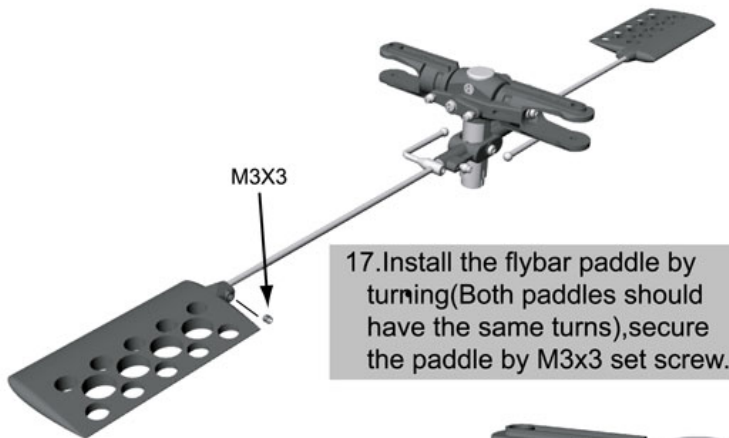
14. Install the seesaw onto center hub.



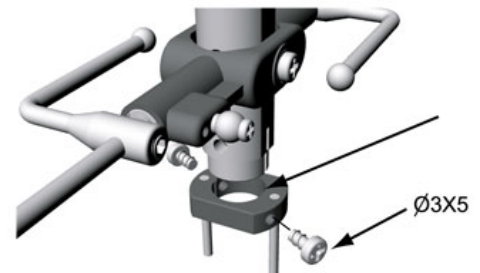
15. Install the flybar arms onto the flybar.



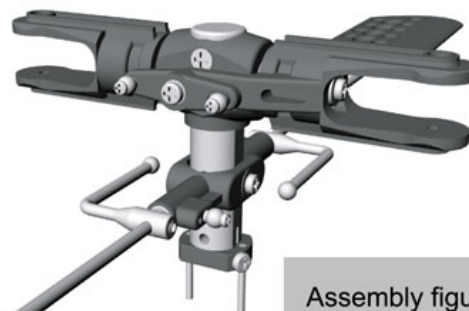
16. Make sure the both length of the flybar should be exact the same.



17. Install the flybar paddle by turning (Both paddles should have the same turns), secure the paddle by M3x3 set screw.



18. Install washout guide. (The slot should be in the exact position and do not overtight the screw.)

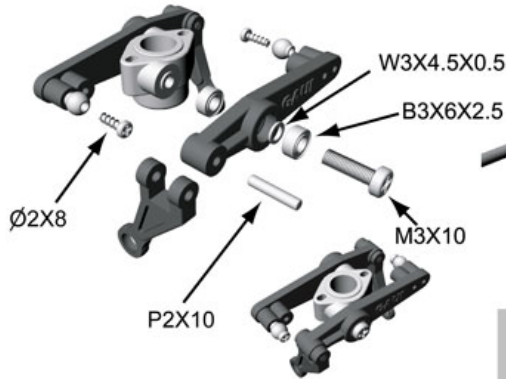


Assembly figure

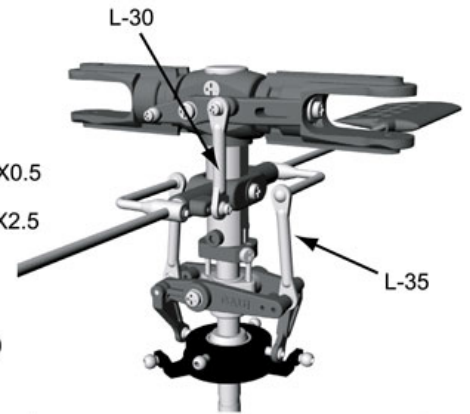
# Assembly 5



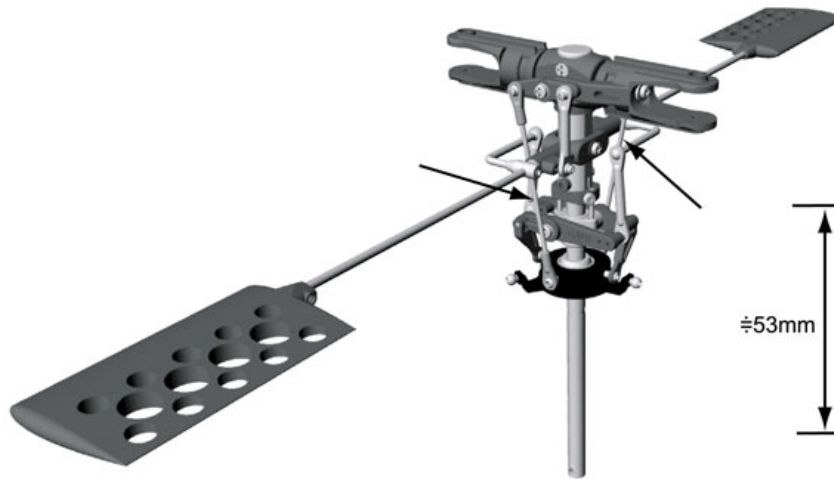
19. Install the main mast.  
(Be sure not to install the mast up side down)



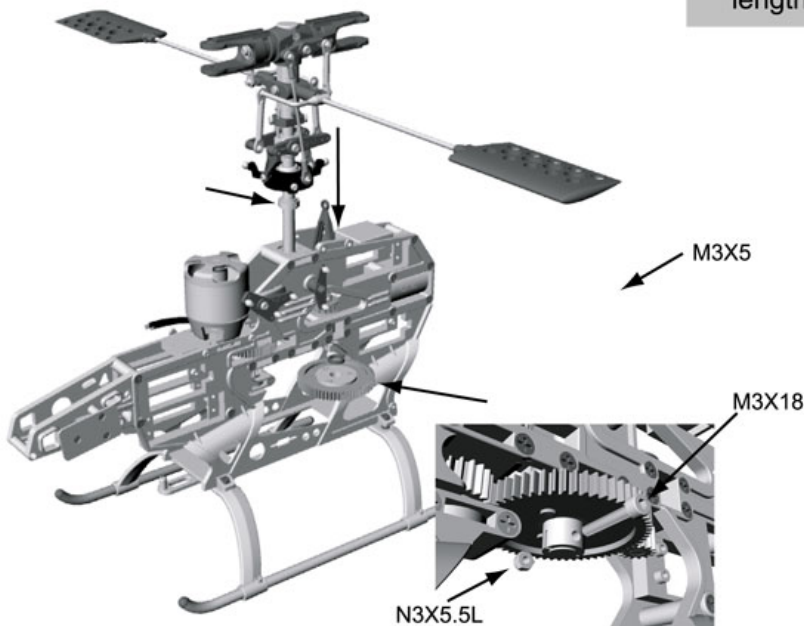
20. Assemble the washout base & the arms.



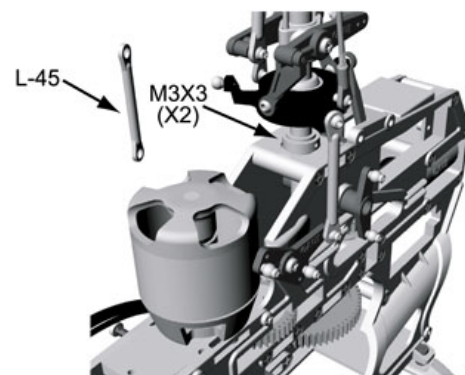
21. Install the double links.



22. Assemble the pitch linkages. (The length should be set properly)



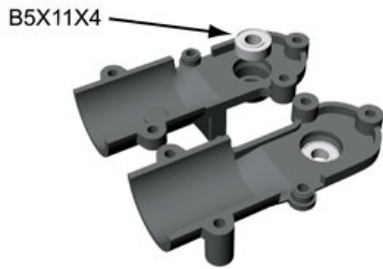
23. Assemble the rear main gear and hub, join it with the main mast and frame assembly.



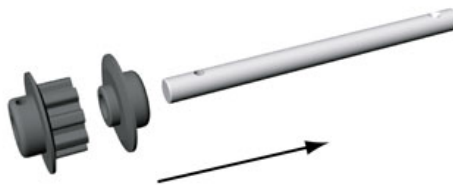
24. Install the mast collar and double link. The mast should not be able to be moved up and down.



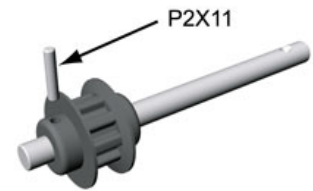
## Assembly 6



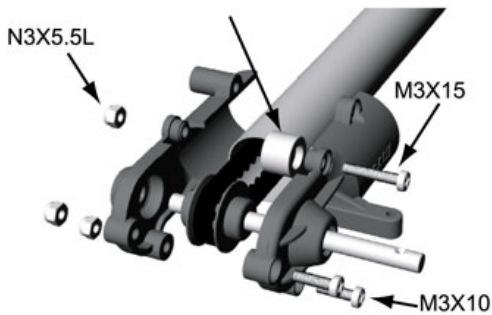
25. Install the bearings.



26. Install the tail pulley and the shaft.



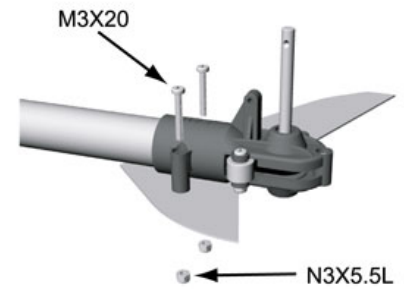
27. Secure the tail pulley with the pin.



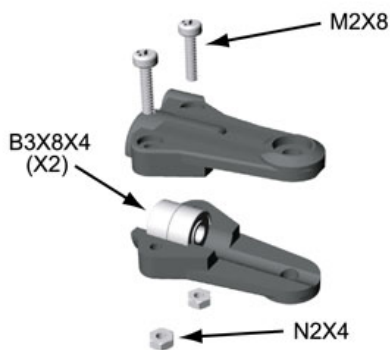
28. Install the tail pulley and the tail gear cases.



Notice: The tail gear case should be installed exactly.



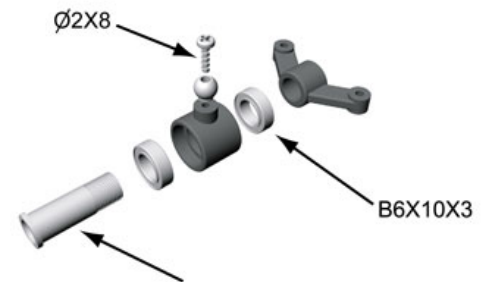
29. Install the vertical fin.



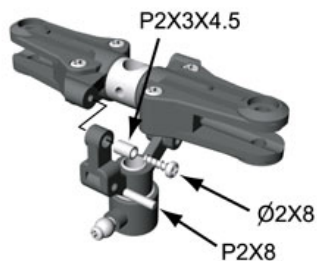
30. Assemble the tail rotor grips.



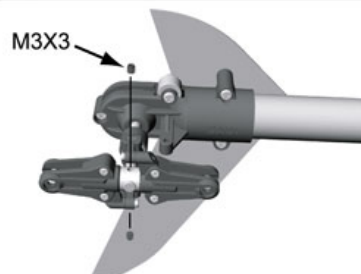
31. Assemble the grips and the hub.



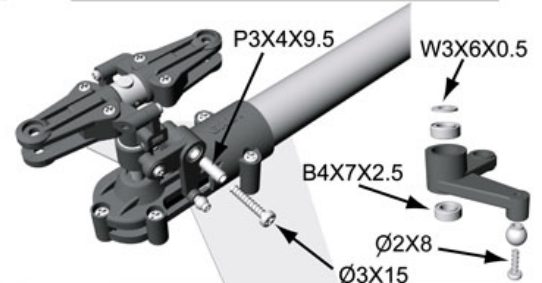
32. Assemble the tail pitch slider and the bush.



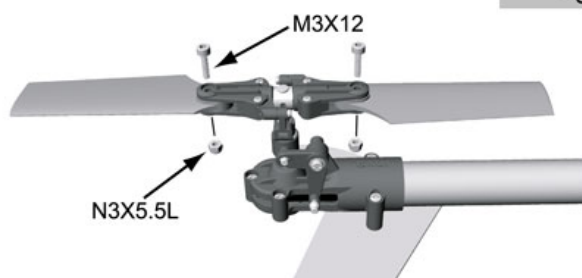
33. Assemble the grips assembly & the pitch slider assembly.



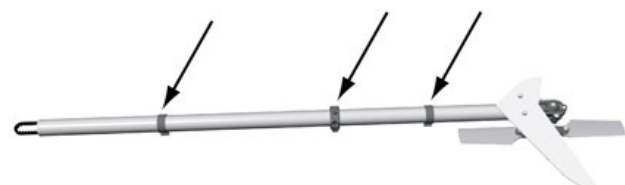
34. Install the grips & the pitch slider assembly, tighten the set screws.



35. Assemble the tail pitch control lever and install it onto tail gear case.



36. Install the tail rotor blades.



37. Install the tail support clamp and the rudder control guide.

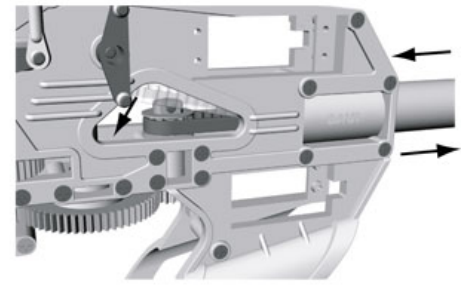
## Assembly 7



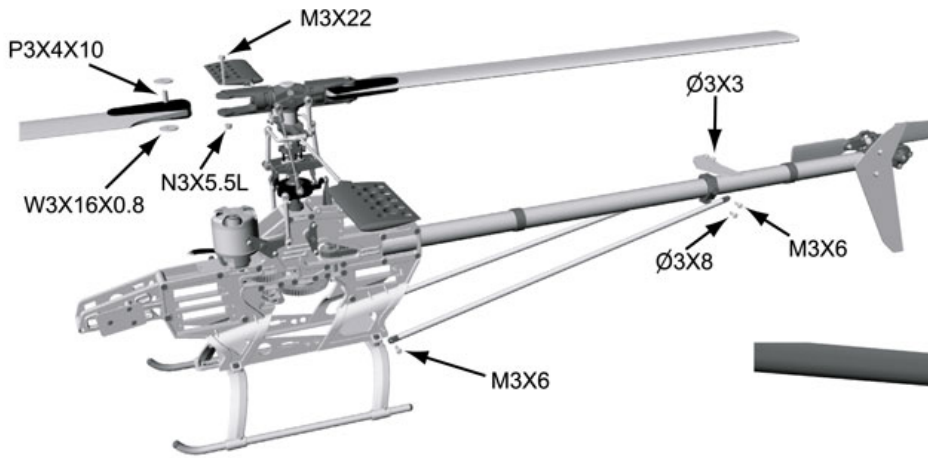
38. Make sure the belt is not winding in tail boom, rotate it 90 degrees clockwise. (Front view)



39. Loosen the 4 screws and install the tail boom.



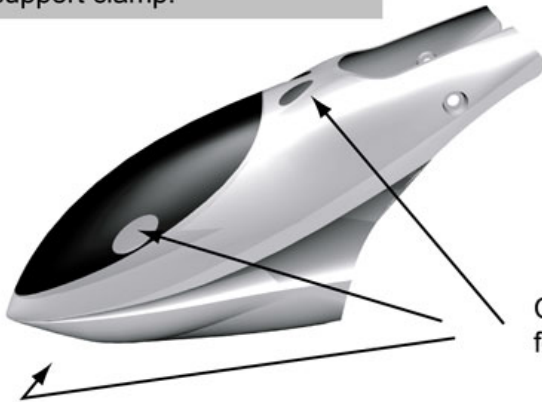
40. Hook the belt onto the pulley, set the belt tension properly and retighten the screws.



41. Install the main blades, the tail support pipes and the stabilizer fin, secure the tail support clamp.



42. Install the body retainers and the dampers, join the body and helicopter.

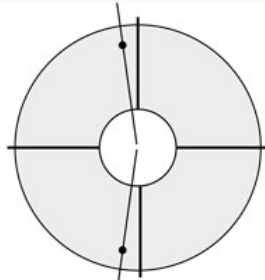


Cut out the air intake holes for the better cooling.



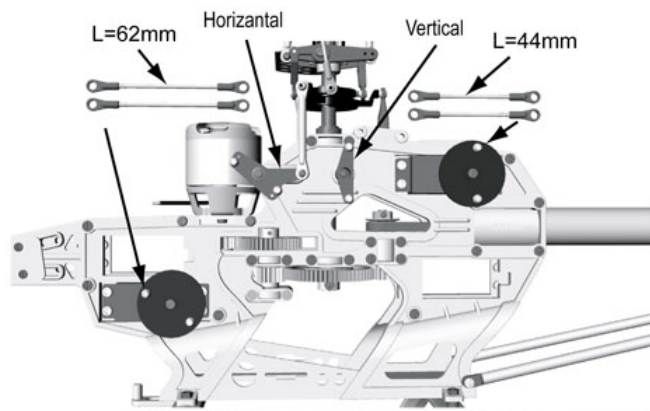
Assembly figure

# Servo and electrics installation

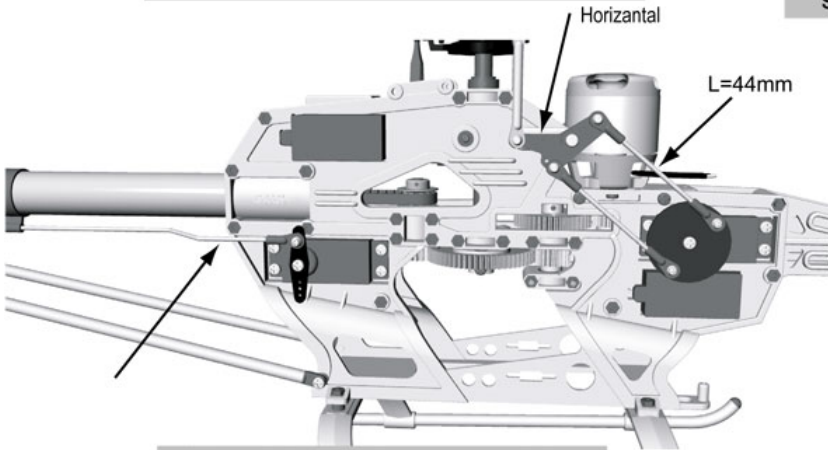


\*Drill the holes on servo horn as mentioned below if using the parts of 204511 and 204514. Use the standard 180 degrees servo horn for the CNC parts 204612 and 204614 ( No drilling necessary )

1. Cut off this diagram and drill two holes on servo horn, secure the metal balls onto the horn.

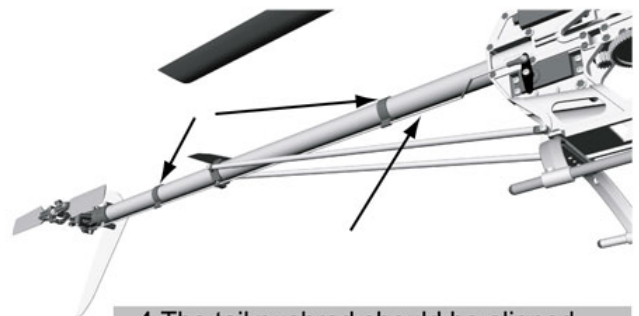


2. Install the servos and the linkages, the length of the linkage should be set exactly.

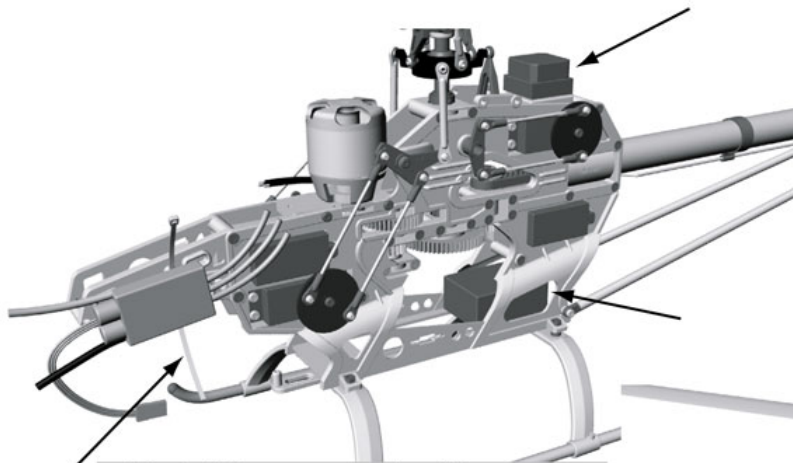


3. Install the rudder servo and the tail pushrod as shown in figure.

**Notice:** With the servo at its neutral position, make sure the four control sticks are all in middle position, and the setting of CCPM SWASH AFR are all in 50%.



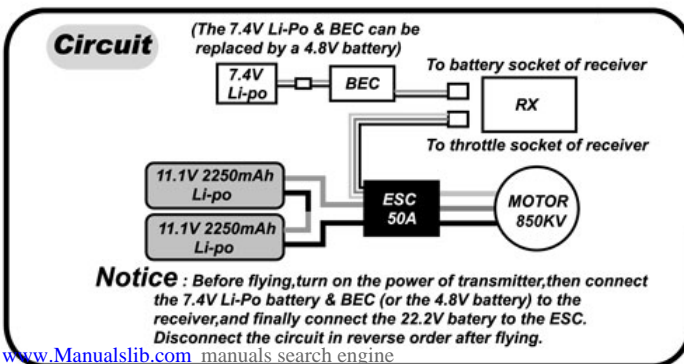
4. The tail pushrod should be aligned with the tail boom, use C/A to adhere rudder control guide onto tail boom.



5. Install the gyro, receiver (Use the double side tape) and the ESC. (Use the cable tie)



6. Use the releasable cable tie to secure the batterie.



## Setting

With the standard BL-Motor(KV-850) and the 22.2V battery(11.1V\*2=22.2V), the maximum motor speed is around 18870 rpm. With the 15T pinion gear, the gear ratio is 8.99 (61/19)x(42/15), the maximum head speed is 18870/8.99 x (0.9 ~ 0.95). You may change the maximum head by replace the pinion gear.(14T or 16T)

The pushrod should be vertical to the mixing level.

Horizontal (Initial setting position with 0 pitch degrees)  
Vertical

The standard ESC output current is 50A(25V),refer to the next page to change the setting.(If necessary)

The 42T gear is fitted for the standard motor and the recommended battery, you may change the gear ratio if using the motor with different KV or using the battery with different voltage.

### Initial pitch setting

Pitch Stick	100%	50%	0%
Normal	8°	3°	-3°
Idle	10°	0°	-10°

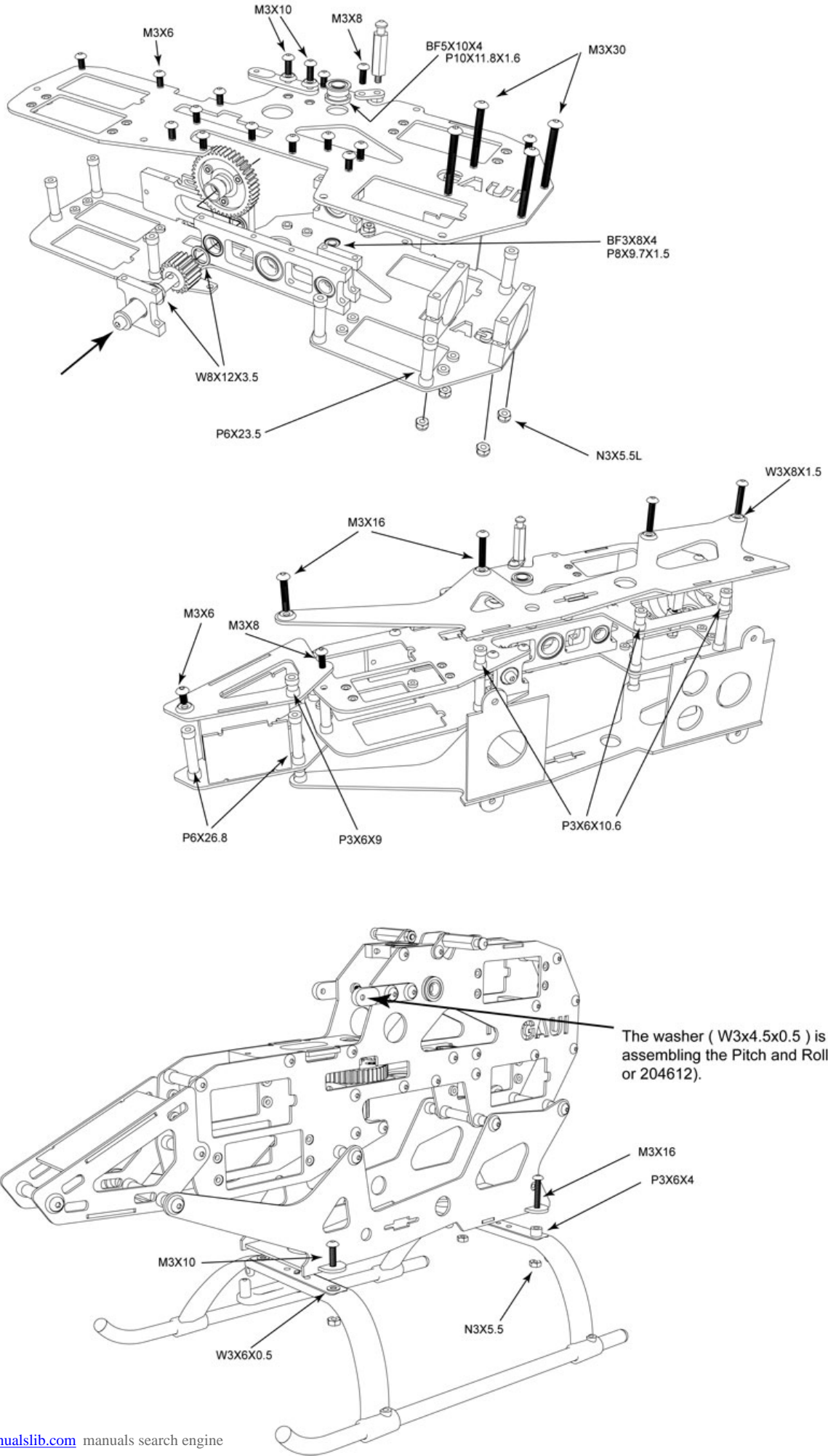
### ESC Setting

Initial setting is for Li-Po battery and helicopter mode.

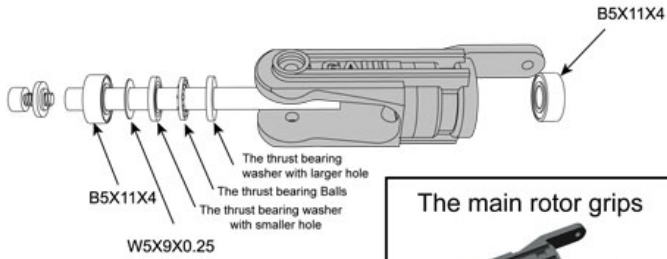
- A. **Initial setting:** Turn on the power of transmitter,move the throttle stick to the low position, turn on the power of receiver(the servos should be able to be controlled now),connect the 22.2V battery and the ESC,it is ready for flying after hearing the acknowledge tones.
- B. **Manual setting:** Turn on the power of transmitter,move the throttle stick to the high position, turn on the power of receiver,connect the 22.2V battery and the ESC,you will hear the acknowledge tones bi--bi--bi--bi--bi--bi,move the throttle stick to the low position,after hearing the acknowledge tones bi--bi--bi--bi,it is ready for manual setting and get into function-1 directly, and then comes the acknowledge tones bi--bi(Li-Po battery mode),if you use the Li-Po battery,move the throttle stick to the high position now ,you will hear the acknowledge tones bi--bi--bi--bi(You had get into Li-Po battery mode already),or leave the stick at the low position and wait until hearing the acknowledge tones bi--bi-bi(NiMH battery mode),then move the throttle stick to the high position to get into NiMH battery mode.Now it will get into function-2 directly,if you intend to choose the option of Helicopter with Governor,wait until hearing the acknowledge tones bi-bi---bi-bi-bi-bi and move the throttle stick to the high position,disconnect the 22.2V battery and ESC,turn off the power of receiver(You had get into Governor mode already).

**The Throttle Curve must be over than 80% if you choose the option of Helicopter with Governor.**

# CF Frames Assembly (Option)



## The Plastic Main Grip Set-204529

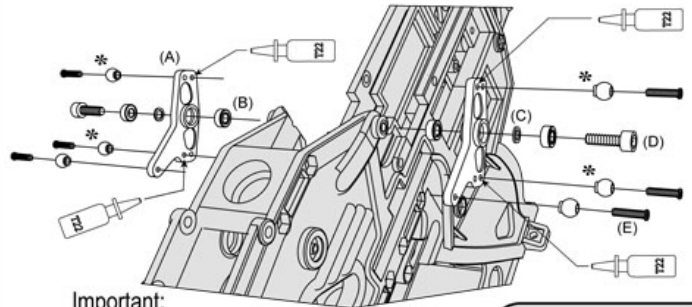


The main rotor grips



The plastic spacer of the main rotor grip should be removed.

## The CNC Pitch & Roll Arm Set-204612



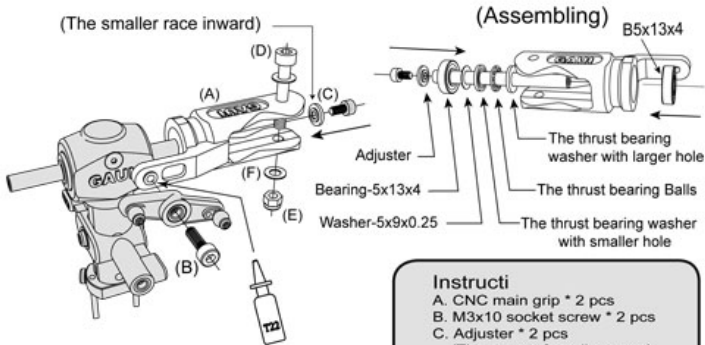
Important:

- 1.The ball position on both arms are different as shown.
- 2.Use Holdtite to adhere every screws to the position as shown.

Instruction:

- A.CNC pitch and roll arm set
- B.Bearing(3x6x2.5) \* 4 pcs
- C.Brass washer(3x4.5x0.5) \* 2 pcs
- D.M3x10 socket screw \* 2 pcs
- E.M2x8 screw \* 6 pcs

## The CNC Main Grip Set-204629

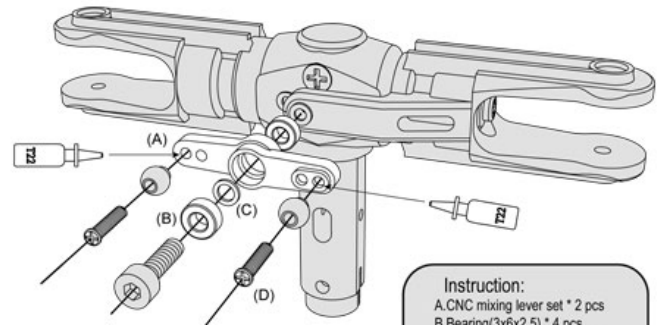


(Use Holdtite of similar material to adhere the screw and the grip arm)

Instructi

- A. CNC main grip \* 2 pcs
- B. M3x10 socket screw \* 2 pcs
- C. Adjuster \* 2 pcs
- (The spacer for adjustment)
- D. M4 socket screw \* 2 pcs
- E. N4 nylon lock nut \* 2 pcs
- F. Washer 4x8x0.5

## The CNC Mixing Lever Set-204632

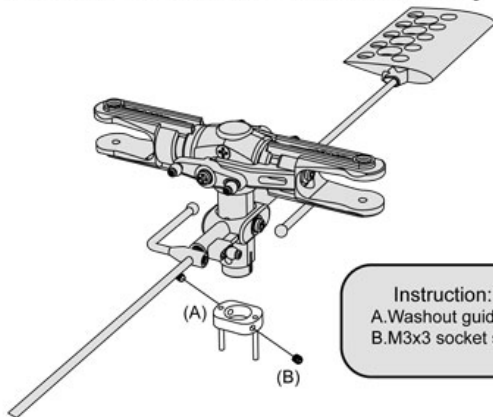


Use Holdtite to adhere every screws to the position as shown.

Instruction:

- A.CNC mixing lever set \* 2 pcs
- B.Bearing(3x6x2.5) \* 4 pcs
- C.Brass washer(3x4.5x0.5) \* 2 pcs
- B.M2x8 screw \* 4 pcs

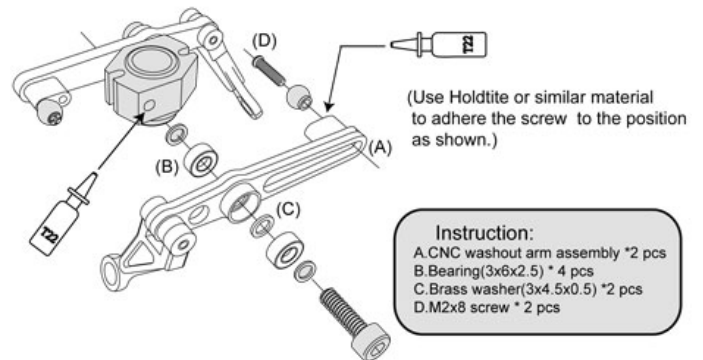
## The CNC Washout Guide Assembly-204635



Instruction:

- A.Washout guide
- B.M3x3 socket set screw \* 2 pcs

## The CNC Washout Arm Assembly-204637



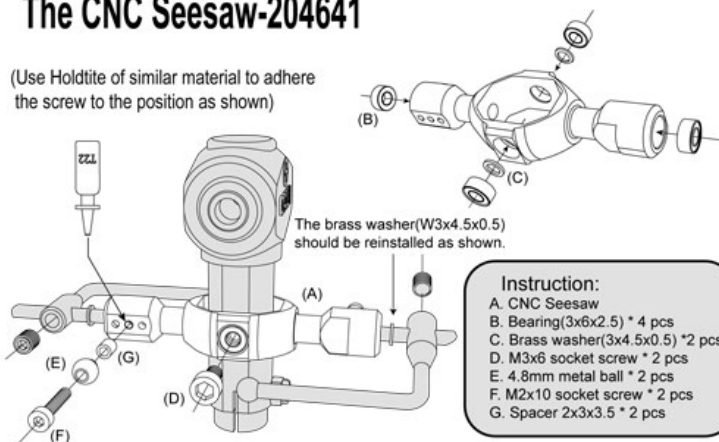
(Use Holdtite or similar material to adhere the screw to the position as shown.)

Instruction:

- A.CNC washout arm assembly \* 2 pcs
- B.Bearing(3x6x2.5) \* 4 pcs
- C.Brass washer(3x4.5x0.5) \* 2 pcs
- D.M2x8 screw \* 2 pcs

## The CNC Seesaw-204641

(Use Holdtite of similar material to adhere the screw to the position as shown)

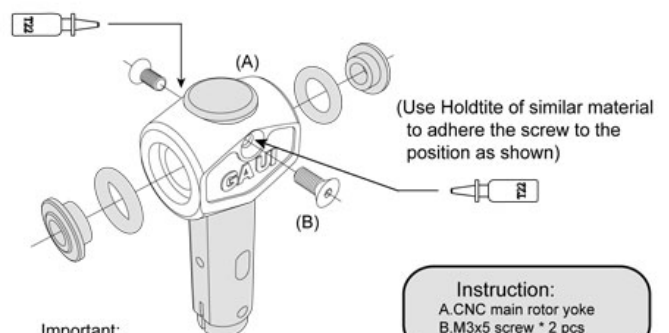


The brass washer(W3x4.5x0.5) should be reinstalled as shown.

Instruction:

- A. CNC Seesaw
- B. Bearing(3x6x2.5) \* 4 pcs
- C. Brass washer(3x4.5x0.5) \* 2 pcs
- D. M3x6 socket screw \* 2 pcs
- E. 4.8mm metal ball \* 2 pcs
- F. M2x10 socket screw \* 2 pcs
- G. Spacer 2x3x3.5 \* 2 pcs

## The CNC Main Rotor Yoke-204676



(Use Holdtite of similar material to adhere the screw to the position as shown)

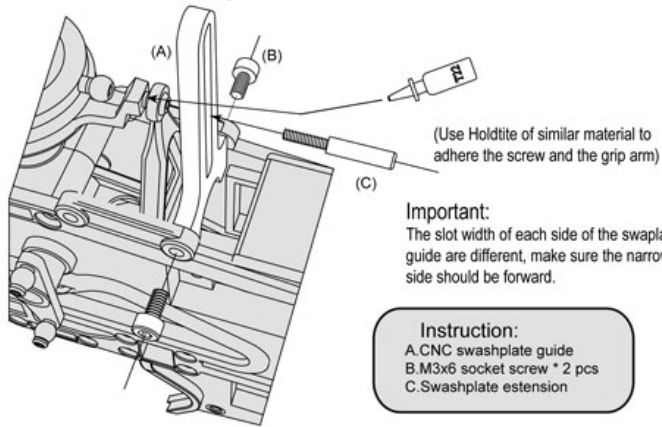
Instruction:

- A.CNC main rotor yoke
- B.M3x5 screw \* 2 pcs

Important:

The O ring and the plastic spacer should be reinstalled as shown.

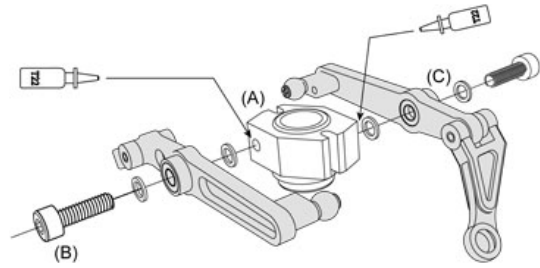
## The CNC Swashplate Guide-204677



**Important:**  
The slot width of each side of the swashplate guide are different, make sure the narrow side should be forward.

**Instruction:**  
A.CNC swashplate guide  
B.M3x6 socket screw \* 2 pcs  
C.Swashplate extension

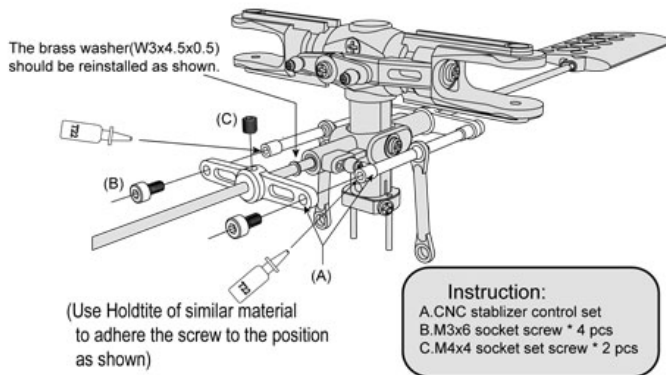
## The CNC Washout Base-204678



(Use Holdtite or similar material to adhere the screw to the position as shown.)

**Instruction:**  
A.CNC washout base  
B.M3x10 socket screw \* 2 pcs  
C.Brass washer(3x4.5x0.5) \*4 pcs

## The CNC Stabilizer Control Set-204679



























**Instruction:**  
A.CNC stabilizer control set  
B.M3x6 socket screw \* 4 pcs  
C.M4x4 socket set screw \* 2 pcs

## Replacement Parts - 1
















<p><b>Main Frame Set</b></p>  <p style="text-align: right;">204010</p>	<p><b>Brace &amp; Skid Set</b></p>  <p style="text-align: right;">204180</p>	<p><b>ESC Mount</b></p>  <p style="text-align: right;">204511</p>	<p><b>Pitch &amp; Roll Arm Set</b></p>  <p style="text-align: right;">204512</p>
<p><b>Elevator Arm (F&amp;R) Set</b></p>  <p style="text-align: right;">204513</p>	<p><b>Elevator Lever</b></p>  <p style="text-align: right;">204514</p>	<p><b>Front Main Gear</b></p>  <p style="text-align: right;">42T-204021 50T-204621 60T-204622</p>	<p><b>Rear Main Gear (61T)</b></p>  <p style="text-align: right;">204022</p>
<p><b>Front Gear Hub Set</b></p>  <p style="text-align: right;">204521</p>	<p><b>Rear Gear Hub Set</b></p>  <p style="text-align: right;">204522</p>	<p><b>Pulley shaft with Gear</b></p>  <p style="text-align: right;">204523</p>	<p><b>Front Pulley Set</b></p>  <p style="text-align: right;">204524</p>
<p><b>One Way Gear Assembly (19T)</b></p>  <p style="text-align: right;">204576</p>	<p><b>One Way Gear Shaft Set</b></p>  <p style="text-align: right;">204582</p>	<p><b>550 Brushless Motor (1000W-850KV)</b></p>  <p style="text-align: right;">855501</p>	<p><b>Motor Mount Set</b></p>  <p style="text-align: right;">204581</p>
<p><b>Main Rotor Yoke Set</b></p>  <p style="text-align: right;">204528</p>	<p><b>Main Grip Set</b></p>  <p style="text-align: right;">204529</p>	<p><b>Head Spacer &amp; Damper Set</b></p>  <p style="text-align: right;">204530</p>	<p><b>Spindle Shafts Pack</b></p>  <p style="text-align: right;">204531</p>
<p><b>Mixing Lever Set</b></p>  <p style="text-align: right;">204532</p>	<p><b>Seesaw</b></p>  <p style="text-align: right;">204041</p>	<p><b>Flybar Arms Set</b></p>  <p style="text-align: right;">204533</p>	<p><b>Flybar</b></p>  <p style="text-align: right;">204042</p>



## Replacement parts - 2

<p>Flybar Paddles Set</p>  <p style="text-align: right;">204534</p>	<p>Washout Guide Assembly</p>  <p style="text-align: right;">204535</p>	<p>Main Masts Pack</p>  <p style="text-align: right;">204536</p>	<p>Washout Base</p>  <p style="text-align: right;">204051</p>
<p>Washout Arm Assembly</p>  <p style="text-align: right;">204537</p>	<p>Double Link(L-30)</p>  <p style="text-align: right;">204538</p>	<p>Double Link(L-35)</p>  <p style="text-align: right;">204539</p>	<p>Double Link(L-45)</p>  <p style="text-align: right;">204540</p>
<p>Adjust Rods Pack</p>  <p style="text-align: right;">204541</p>	<p>Ball Links Pack</p>  <p style="text-align: right;">204542</p>	<p>Ball with Stand(4.8mm)</p>  <p style="text-align: right;">204543</p>	<p>Swash Plate Assembly</p>  <p style="text-align: right;">204544</p>
<p>Mast Collar Set</p>  <p style="text-align: right;">204545</p>	<p>Tail Gear Case Set</p>  <p style="text-align: right;">204546</p>	<p>Tail Pulley Set</p>  <p style="text-align: right;">204547</p>	<p>Tail Output Shaft</p>  <p style="text-align: right;">204123</p>
<p>Guide Wheel Assembly</p>  <p style="text-align: right;">204548</p>	<p>Tail Rotor Belt(572XL)</p>  <p style="text-align: right;">865001</p>	<p>Tail Boom</p>  <p style="text-align: right;">204191</p>	<p>Fin &amp; Stabilizer Set</p>  <p style="text-align: right;">204549</p>
<p>Tail Grips Set</p>  <p style="text-align: right;">204550</p>	<p>Tail Hub Set</p>  <p style="text-align: right;">204551</p>	<p>Tail Pitch Slider Set</p>  <p style="text-align: right;">204552</p>	<p>Tail Pitch Slider Bush</p>  <p style="text-align: right;">204141</p>

## Replacement parts - 3

<p>Tail Pitch Control Lever Set</p>  <p style="text-align: right;">204553</p>	<p>Tail Rotor Blade Set</p>  <p style="text-align: right;">204554</p>	<p>Tail Support Clamp</p>  <p style="text-align: right;">204555</p>	<p>Rudder Control Guide</p>  <p style="text-align: right;">204556</p>
<p>Tail Supporter Pipe</p>  <p style="text-align: right;">204557</p>	<p>Wooden Main Rotor Blades</p>  <p>475L-- 204301 500L-- 204302 550L-- 204303</p> <p style="text-align: right;">204558</p>	<p>Canopy &amp; Body Assembly (White)</p>  <p style="text-align: right;">204160</p>	<p>Body Retainers Pack</p>  <p style="text-align: right;">204558</p>
<p>Pinion Gear (Steel)</p>  <p>13T -- 901301 14T -- 901401 15T -- 901501 16T -- 901601</p>	<p>Ball Bearings Pack(3x6x2.5)x4</p>  <p style="text-align: right;">204560</p>	<p>Ball Bearings Pack(3x8x4)x4</p>  <p style="text-align: right;">204561</p>	<p>Ball Bearings Pack(4x7x2.5)x2</p>  <p style="text-align: right;">204562</p>
<p>Ball Bearings Pack(5x10x4)</p>  <p style="text-align: right;">805104</p>	<p>Ball Bearings Pack(5x11x4)x4</p>  <p style="text-align: right;">204563</p>	<p>Ball Bearings Pack(6x10x3)x2</p>  <p style="text-align: right;">204564</p>	<p>Ball Bearing with washer (8x12x3.5)x2</p>  <p style="text-align: right;">204578</p>
<p>Ball Bearings Pack(8x16x5)x2</p>  <p style="text-align: right;">204566</p>	<p>Thrust Bearings Pack(5x10x4)x2</p>  <p style="text-align: right;">204567</p>	<p>M3 Bolts Pack(M3x30&amp;20)</p>  <p style="text-align: right;">204569</p>	<p>M2 Bolts Pack(M2x8)x20</p>  <p style="text-align: right;">204570</p>
<p>Self Taping Screw(2x7)</p>  <p style="text-align: right;">204571</p>	<p>N2 Nut</p>  <p style="text-align: right;">204572</p>	<p>N3 Nut</p>  <p style="text-align: right;">204573</p>	<p>N3 Nylon Lock Nut</p>  <p style="text-align: right;">204574</p>

## Replacement parts - 4

<p>Tail Control Rod</p>  <p style="text-align: right;">204195</p>	<p>Brace Set</p>  <p style="text-align: right;">204188</p>	<p>Skid Set</p>  <p style="text-align: right;">204189</p>	<p>Skid Damper Rubber</p>  <p style="text-align: right;">204580</p>
<p>ESC 50A(GE-050)</p>  <p style="text-align: right;">923501</p>	<p>BEC(GB-003)</p>  <p style="text-align: right;">923502</p>	<p>Li-Po Battery (11.1v 2200mah 25C)</p>  <p style="text-align: right;">926220</p>	<p>Li-Po Battery (7.4v 800mah)</p>  <p style="text-align: right;">926080</p>
<p>Short Tail Boom (for 475L ~ 500L Blades)</p>  <p style="text-align: right;">204192</p>	<p>Tail Rotor Belt(522XL)</p>  <p style="text-align: right;">865002</p>	<p>Tail Control Rod (for short tail boom)</p>  <p style="text-align: right;">204194</p>	<p>Short Tail conversion Set Including 204192 204301 204194 865002</p>  <p style="text-align: right;">204579</p>
<p>Blade Support</p>  <p style="text-align: right;">910010</p>	<p>Assembly Instruction</p>  <p style="text-align: right;">204902</p>	<p>Bearing Washer Pack (W3x4.5x0.5)</p>  <p style="text-align: right;">204351</p>	<p>Washer Pack for Wooden Blade</p>  <p style="text-align: right;">204352</p>
<p>Decal(1)</p>  <p style="text-align: right;">204903</p>	<p>Heading Hold Gyro(NT-400)</p>  <p style="text-align: right;">924201</p>	<p>Reusable Cable Tie( Set of 4 )</p>  <p style="text-align: right;">910020</p>	

## Optional parts - 1

<p>Carbon Frame Set</p>  <p style="text-align: right;">204690</p>	<p>Carbon Frame Left</p>  <p style="text-align: right;">204691</p>	<p>Carbon Frame Right</p>  <p style="text-align: right;">204692</p>	<p>Gyro Mount ( Silver Fiber )</p>  <p style="text-align: right;">204693</p>
<p>Side Frame ( Silver Fiber )</p>  <p style="text-align: right;">204694</p>	<p>Bottom Plates ( Silver Fiber )</p>  <p style="text-align: right;">204695</p>	<p>Battery Mount ( Silver Fiber )</p>  <p style="text-align: right;">204696</p>	<p>Body Retainer Bracket</p>  <p style="text-align: right;">204697</p>
<p>Mount for Pitch &amp; Roll arm</p>  <p style="text-align: right;">204698</p>	<p>Bearing Mounts for CF Frames</p>  <p style="text-align: right;">204699</p>	<p>Boom Clamps for CF Frames</p>  <p style="text-align: right;">204700</p>	<p>Spacer &amp; Screw pack for CF Frames</p>  <p style="text-align: right;">204701</p>
<p>CNC Main Rotor Head Ass'y ( with Swashplate &amp; Guide )</p>  <p style="text-align: right;">204680</p>	<p>CNC Main Rotor Yoke Set</p>  <p style="text-align: right;">204628</p>	<p>CNC Main Rotor Yoke</p>  <p style="text-align: right;">204676</p>	<p>CNC Main Grip Set</p>  <p style="text-align: right;">204629</p>
<p>CNC Mixing Lever Set</p>  <p style="text-align: right;">204632</p>	<p>CNC Washout Guide Assembly</p>  <p style="text-align: right;">204635</p>	<p>CNC Washout Arm Assembly</p>  <p style="text-align: right;">204637</p>	<p>CNC Swashplate Guide</p>  <p style="text-align: right;">204677</p>
<p>CNC Washout Base</p>  <p style="text-align: right;">204678</p>	<p>CNC Stabilizer Control Set</p>  <p style="text-align: right;">204679</p>	<p>CNC Stop Plate</p>  <p style="text-align: right;">204675</p>	<p>CNC Pitch &amp; Roll Arm Set</p>  <p style="text-align: right;">204612</p>

## Optional parts - 2

<p>CNC Elevator Lever</p>  <p style="text-align: right;">204614</p>	<p>Pulley Shaft with Steel Gear</p>  <p style="text-align: right;">204577</p>	<p>One Way Gear Assy.(20T)</p>  <p style="text-align: right;">204583</p>	<p>CF Main Rotor Blades (500L)</p>  <p style="text-align: right;">204312</p>
<p>Light-weight Flybar Paddles Set</p>  <p style="text-align: right;">204734</p>	<p>Light-weight Tail Rotor Blade Set</p>  <p style="text-align: right;">204754</p>	<p>Brushless Motor(1500W-kv1100)</p>  <p style="text-align: right;">855502</p>	<p>ESC 75A(GE-075)</p>  <p style="text-align: right;">923751</p>
<p>Fiberglass Painted Canopy &amp; Body</p>  <p style="text-align: right;">204162</p>	<p>Decal(2)</p>  <p style="text-align: right;">204904</p>	<p>Li-Po Battery (22.2v 3300mah 22C)</p>  <p style="text-align: right;">926331</p>	<p>CF Main Rotor Blades (550L)</p>  <p style="text-align: right;">204393</p>
<p>Ultimate Performance Upgrade kit</p>  <p style="text-align: right;">204500</p>	<p>CNC Seesaw Set</p>  <p style="text-align: right;">204641</p>	<p>Tail Pushrod Conversion</p>  <p style="text-align: right;">204655</p>	<p>Tail Servo Mount</p>  <p style="text-align: right;">204710</p>
<p>Lever Spacers for CF Frames</p>  <p style="text-align: right;">204702</p>	<p>Tail Grips Set with Thrust bearings</p>  <p style="text-align: right;">204720</p>		