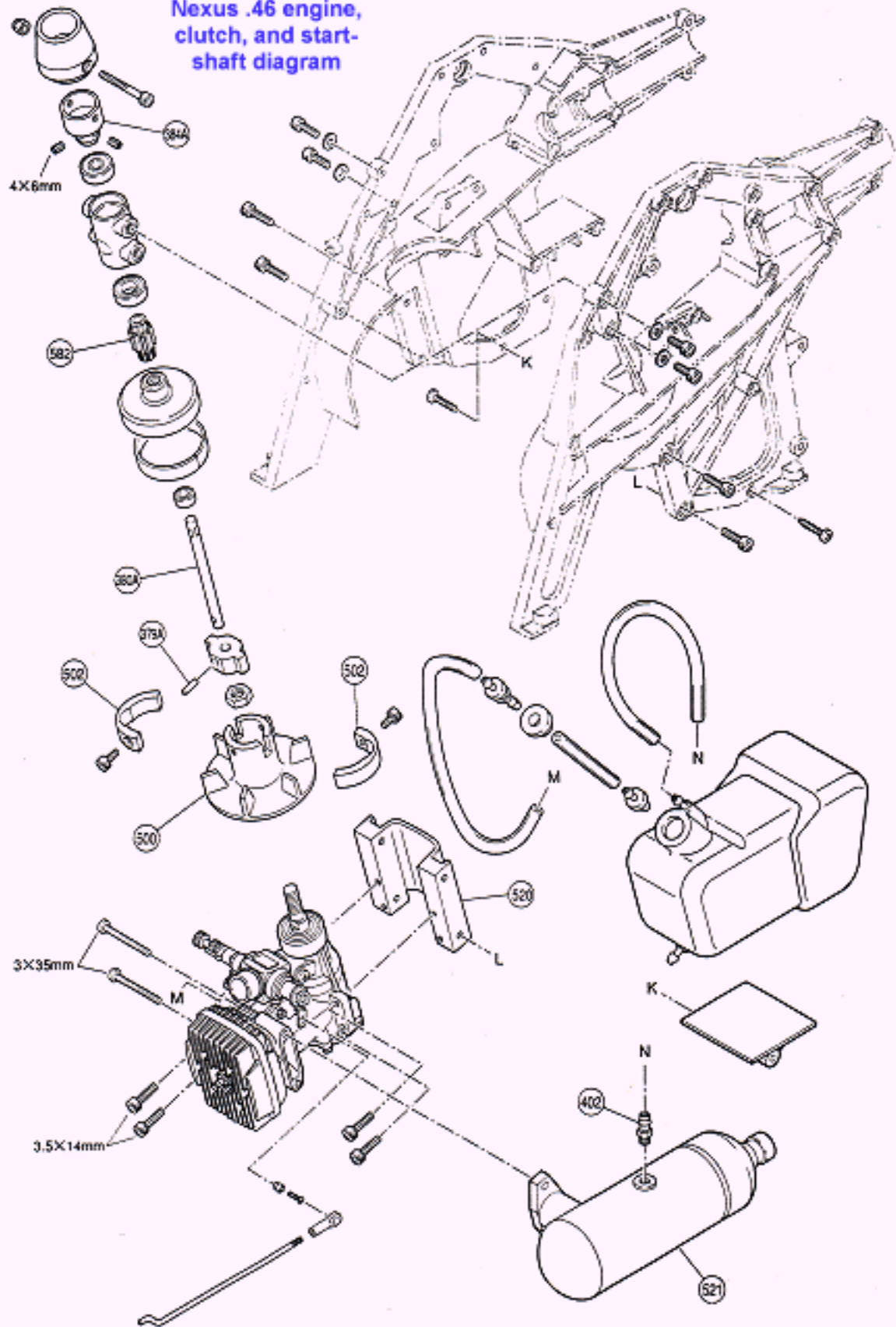
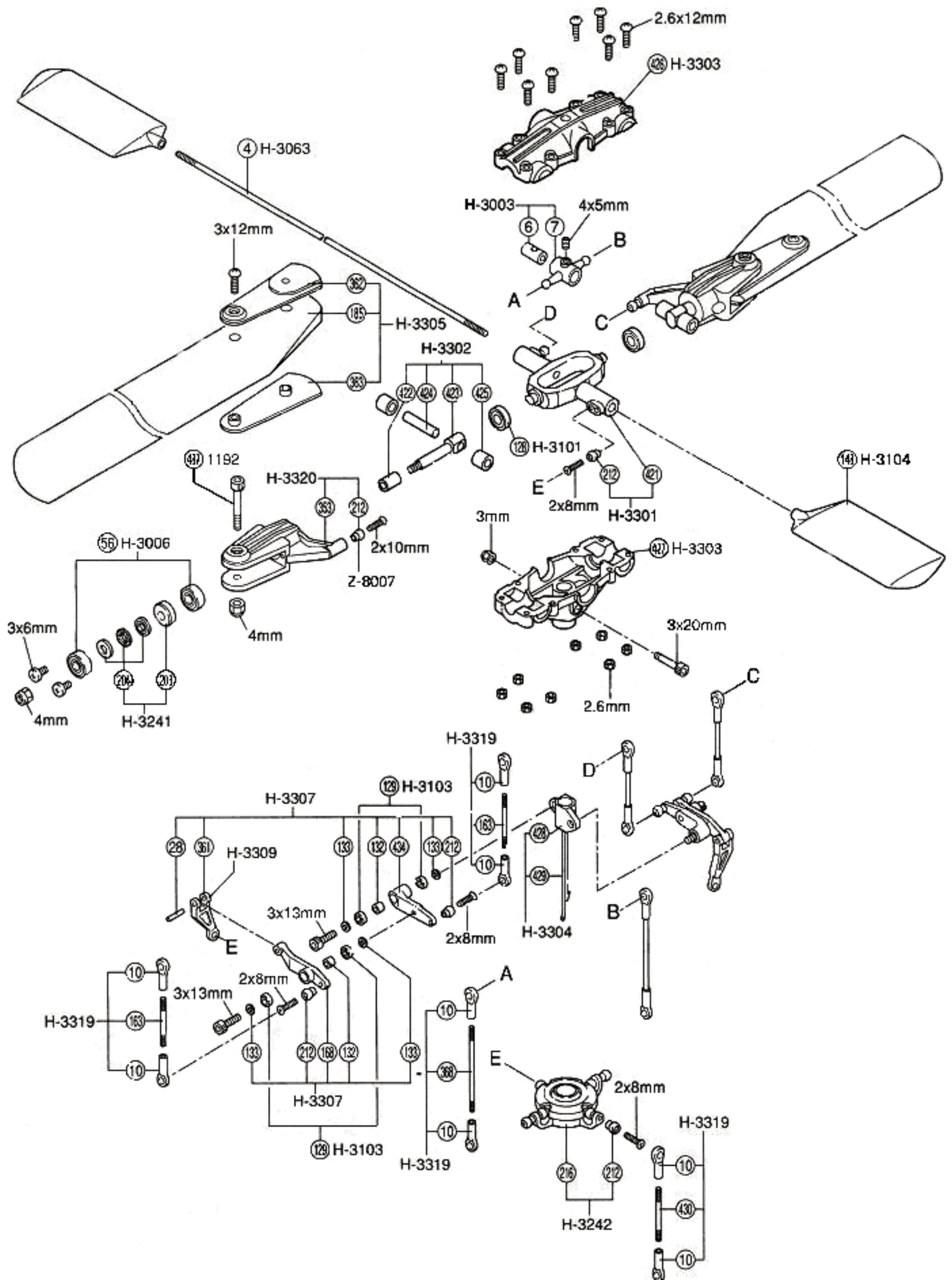


Nexus .46 engine,  
clutch, and start-  
shaft diagram



**Nexus .30 deluxe/Nexus .46/Concept .46 VR  
(Full Flapping Head)**

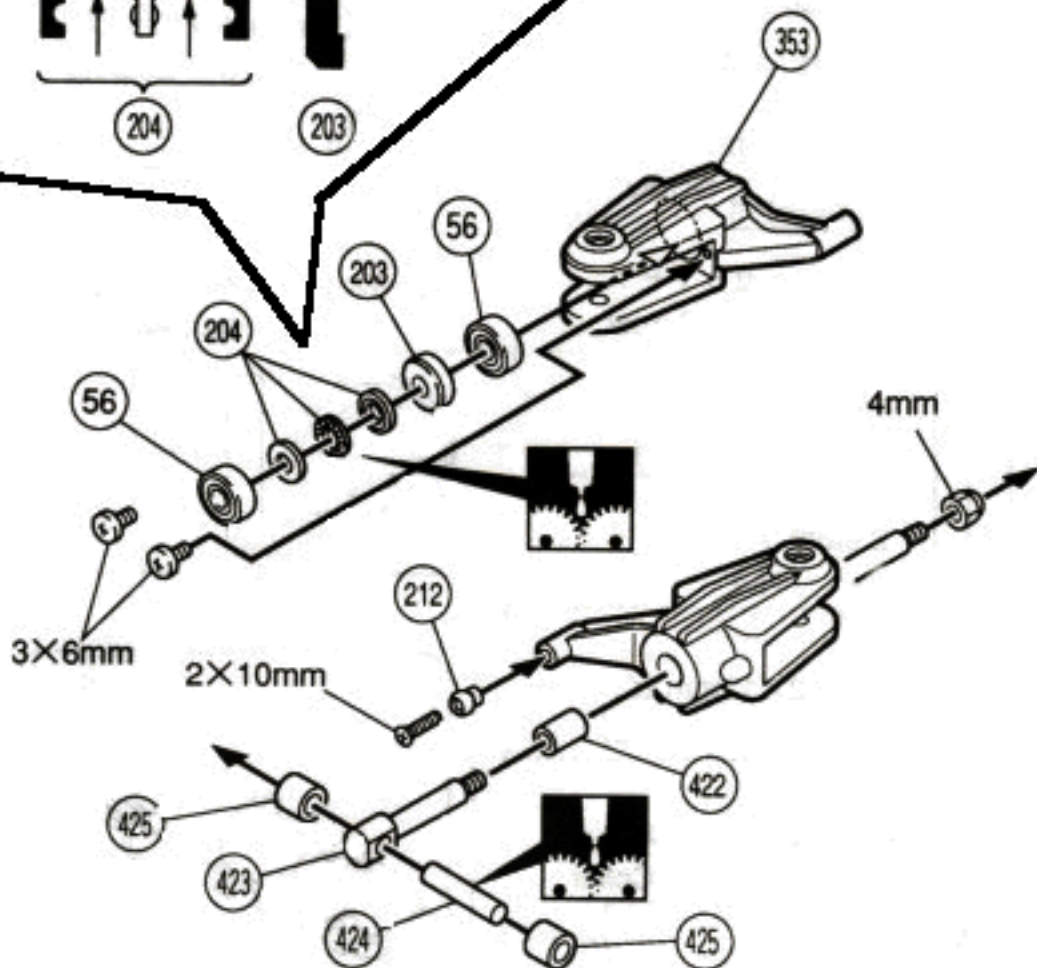
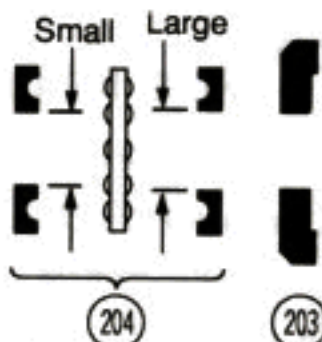


Note the direction of parts (203) and (204).

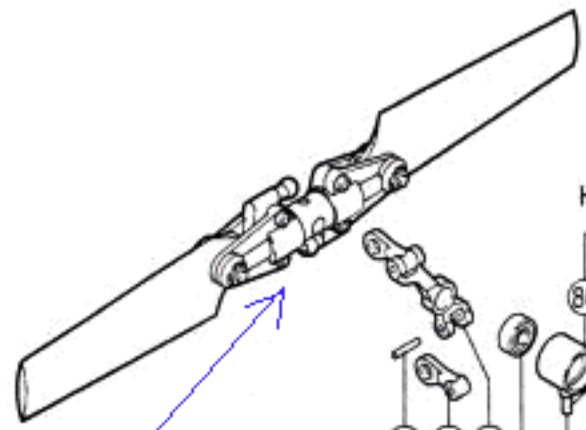
(204)

Note the different hole sizes in (204).

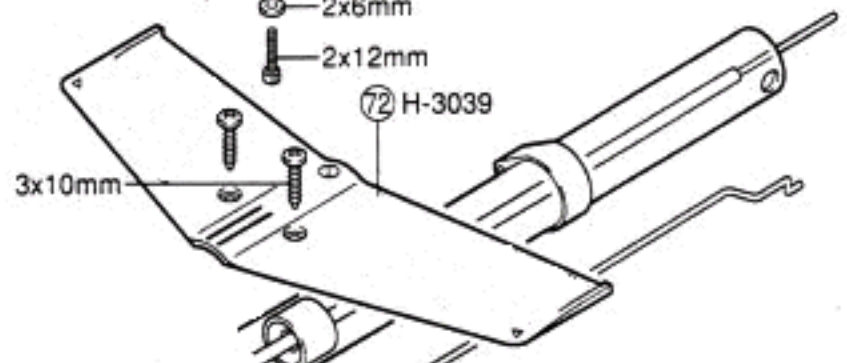
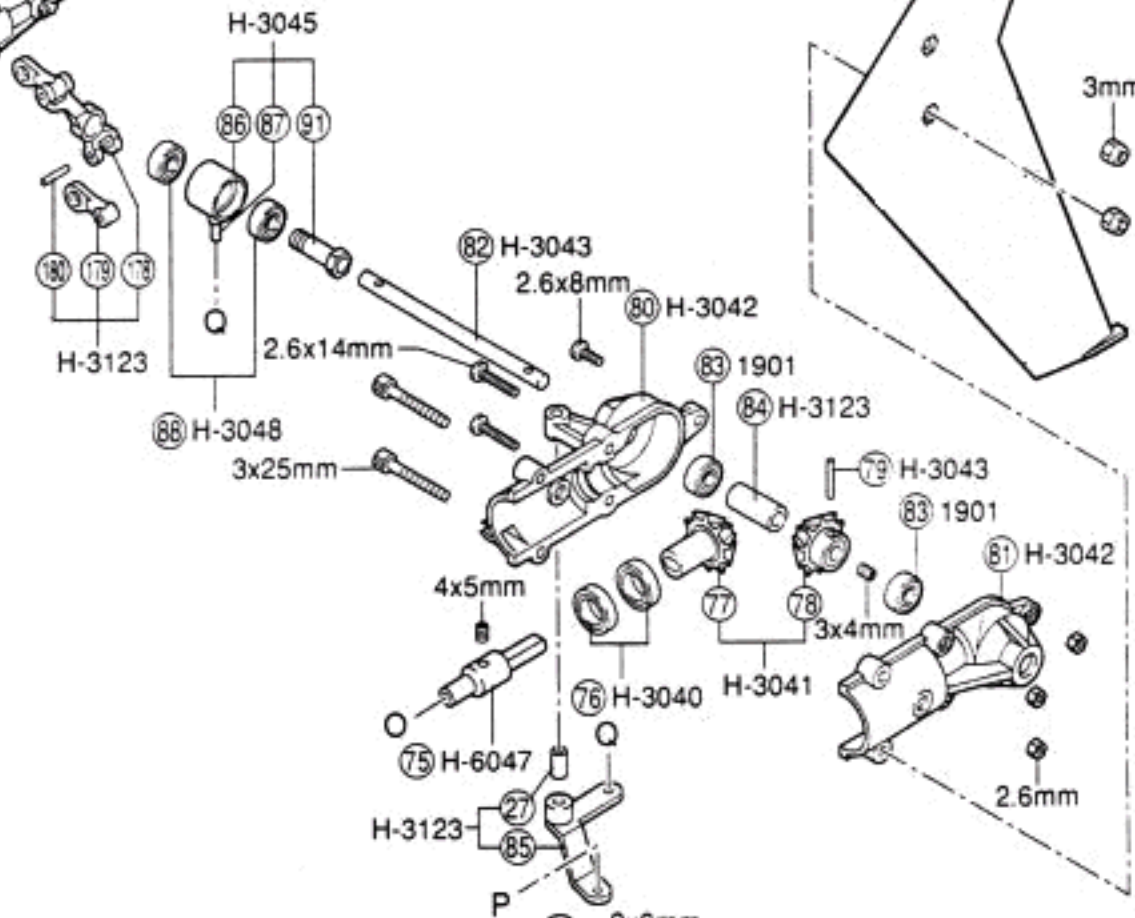
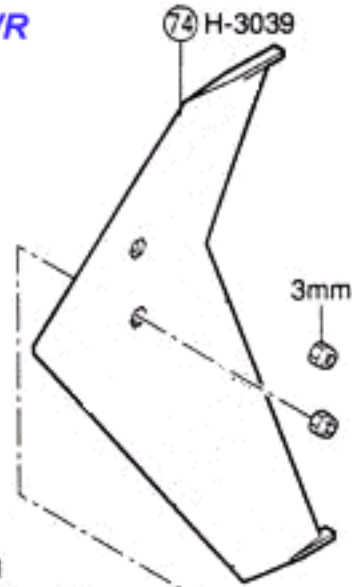
It is very important that the bearing races are assembled correctly!



**Nexus .30/.46/Concept .46 VR  
Tailrotor Gearbox Ass'y.**



*For assembly diagram, see  
Tailrotor hub/grip ass'y.*



*Nexus .30/.46/Concept .46 VR  
Tailrotor hub / Grip ass'y.*

