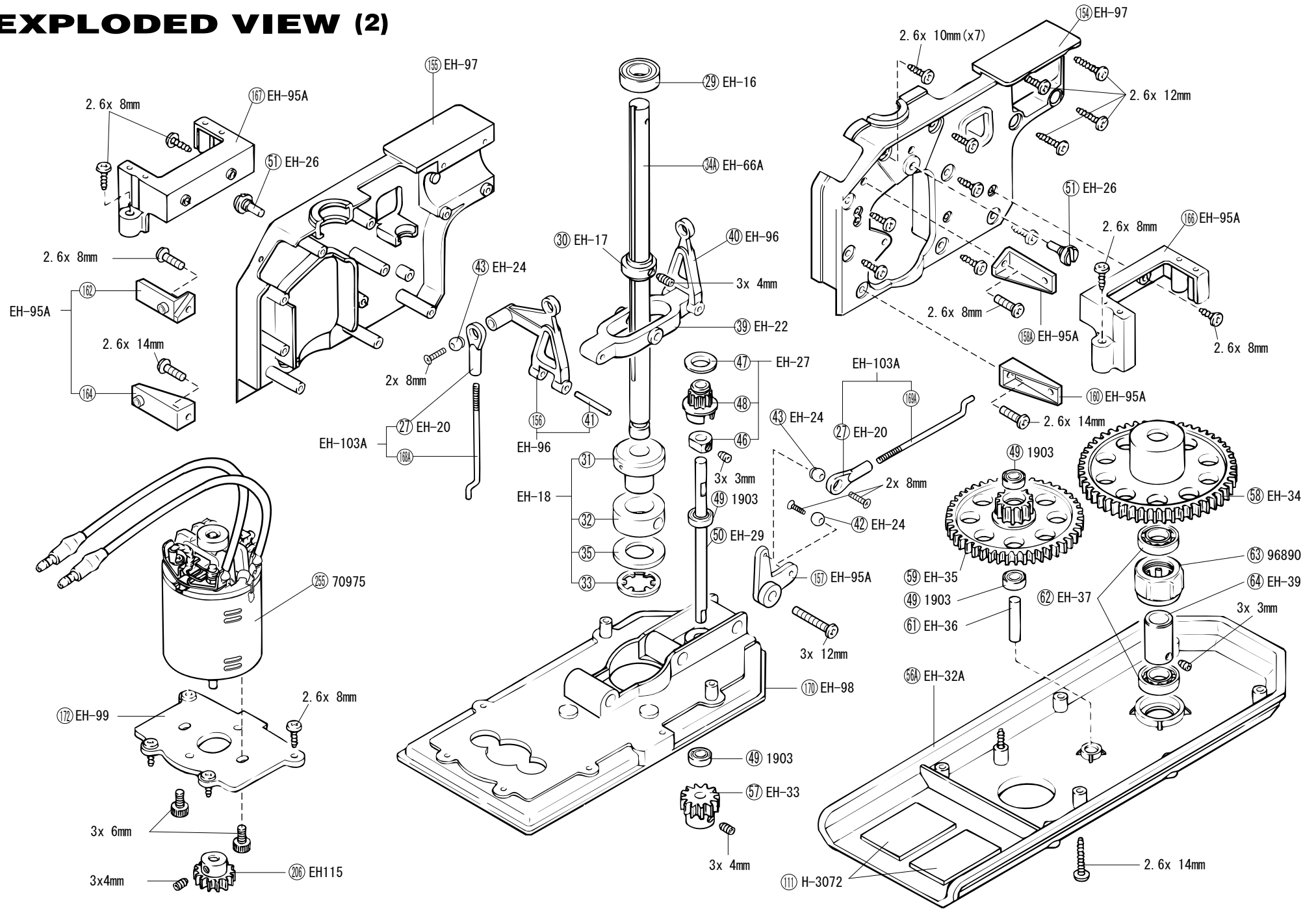




# EXPLODED VIEW (2)



# EXPLODED VIEW (3)

