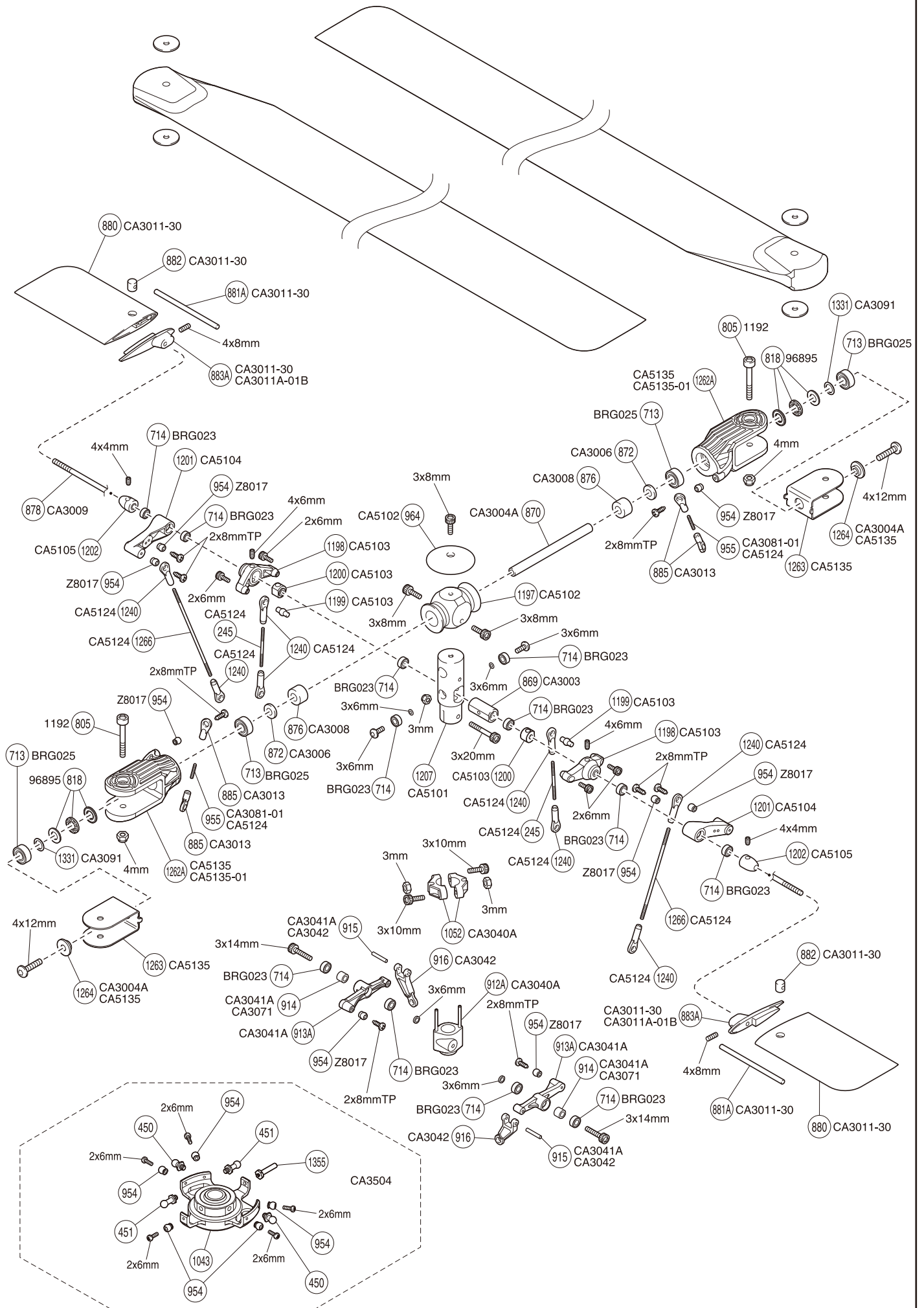
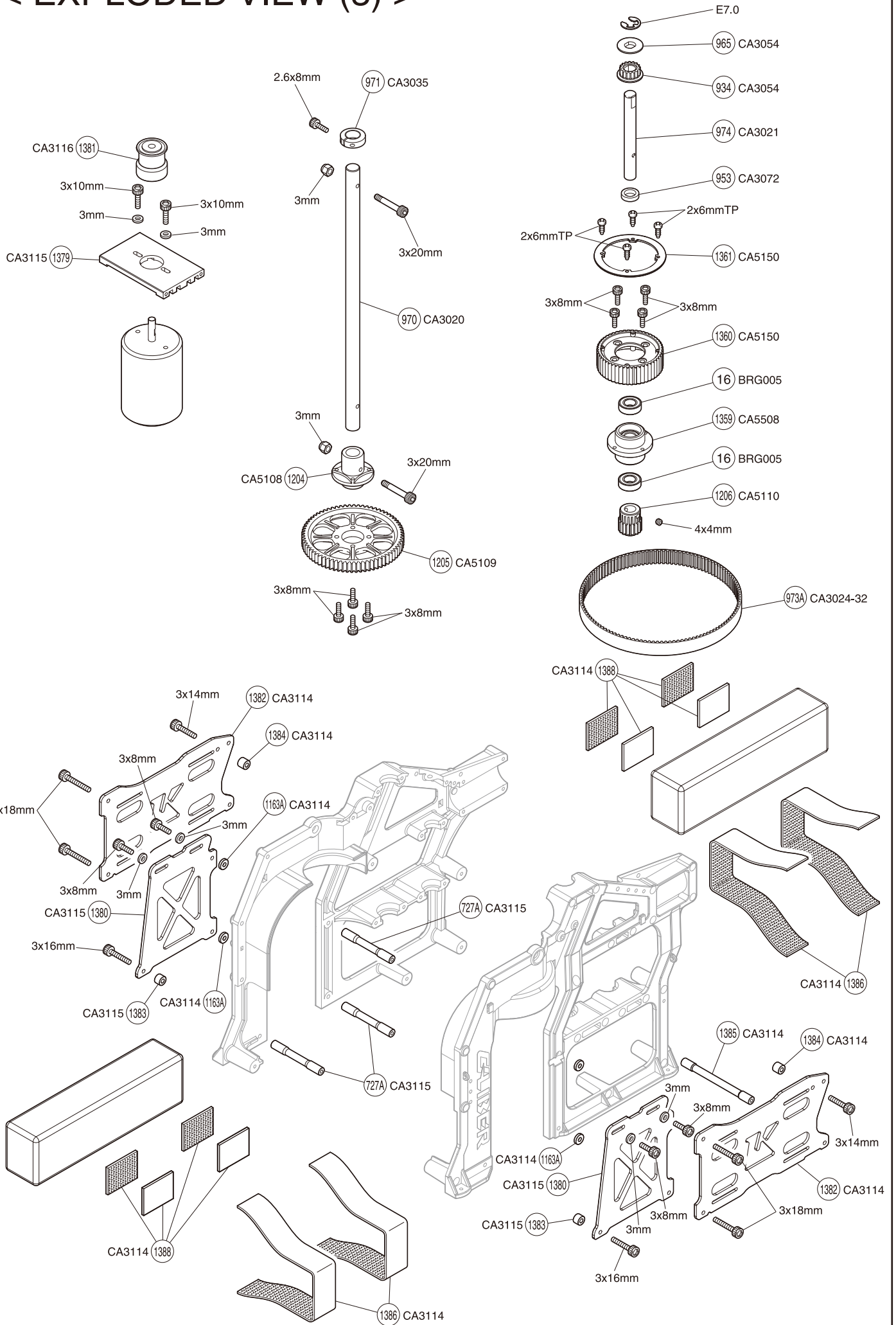


# < EXPLODED VIEW (1) >





# < EXPLODED VIEW (3) >



# < EXPLODED VIEW (4) >

