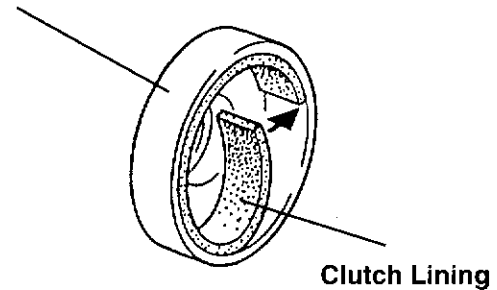


CONCEPT 60 ADDITIONAL INSTRUCTIONS

Clutch Lining

Before installing the clutch lining, first roughen the two mating surfaces (inside the bell and the outside the liner) with sandpaper. Use only slow cure epoxy or J.B. Weld found at most hardware or automotive stores.

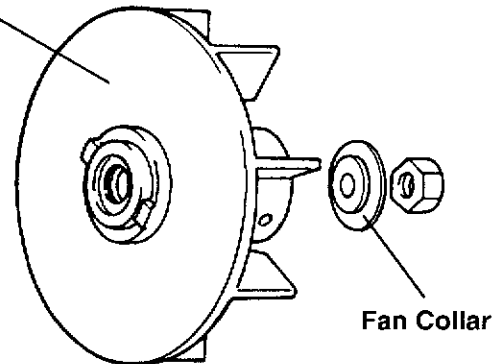
(H-6212) Clutch Drum



New Cooling Fan

To facilitate a wider variety of engines, a new fan has been developed. See the chart on the back of this page for locating the correct fan and collar for your engine. If you buy a replacement fan for your engine, you must also buy the applicable collar.

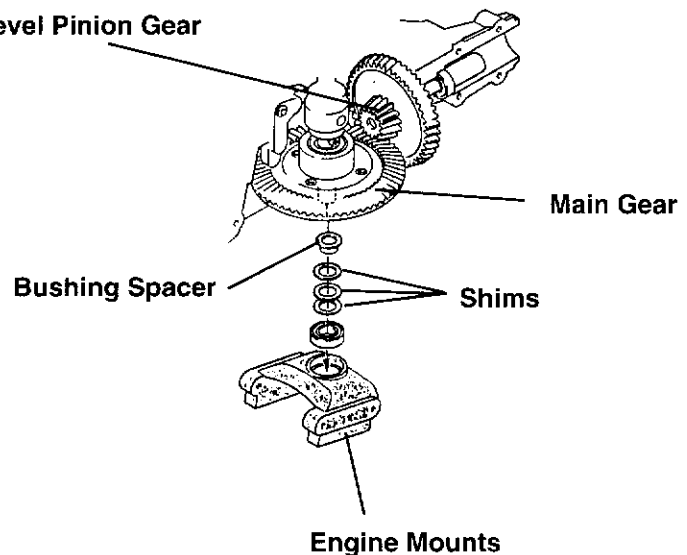
Cooling Fan



Gear Mesh

After several initial flights have been completed, check the backlash between the main gear and the bevel pinion gear. If there is excessive play, insert the shims as shown. This will ensure better performance and longer life for the gears.

Bevel Pinion Gear

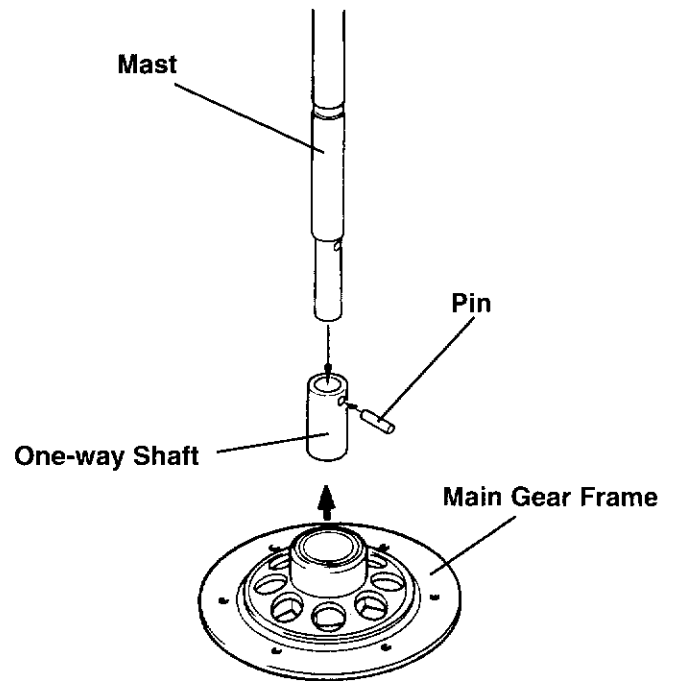


KYOSHO

®

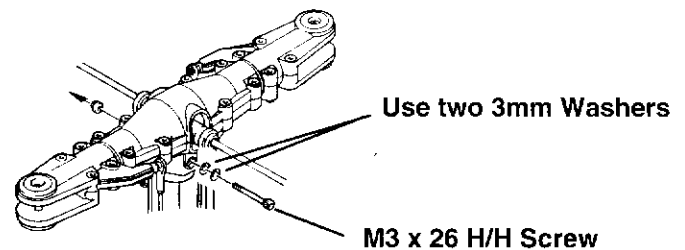
Reinstalling new type Main Mast

First, install the one-way shaft into the main gear frame. Next, install the main gear frame (with main gear) into the helicopter. Pull the one-way shaft far enough out to expose the hole that the pin goes into. Install pin only into one side of the one-way shaft so it does not enter the inside. This will hold the one-way shaft from falling back into the main gear frame but will allow the main shaft to be inserted onto the one-way shaft. Install main shaft, align hole in shaft and one-way shaft, install pin, then slide the assembly the rest of the way down into the main gear frame.



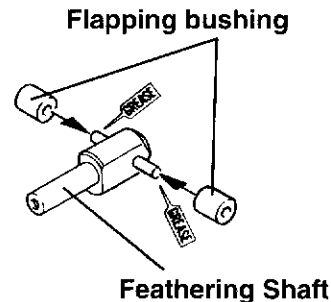
Note

Install two 3mm washers with a M3 x 26 H/H Screw to hold the rotor head onto the mast.



Note

Always be sure the flapping Bushings are greased if using heavier than stock rotor blades. Flapping Hinge Bearings are highly recommended (KYO E7550).



Stock #	Part #	Description
KYOE7191	H-6039B	Clutch - Enya
KYOE7192	H-6039C	Clutch - Y.S.
KYOE7556	H-6075	Clutch liner (2)
KYOE7201	H-6076A	Fan Collar - O.S.
KYOE7202	H-6076B	Fan Collar - Enya
KYOE7203	H-6076C	Fan Collar - Y.S.
KYOE7115	H-6078	Main Gear Frame (New)
KYOE7060	H-6079	Mast (New)
KYOE7061	H-6080	One-Way Sleeve
KYOE7062	H-6216	Main Gear Shims (10)
KYOE7532	H-6500	8 x 12mm Bearing (7pcs.)
KYOE7570	H-6215	Main Rotor Case