

HUGHES 300

- The Hughes 300 fits all Concept 30 kits
- Lightweight LSS plastic body
- Easy to assemble and allows adjustments without removal of the body
- Uses Concept 30 cone-start system — no special adapters needed



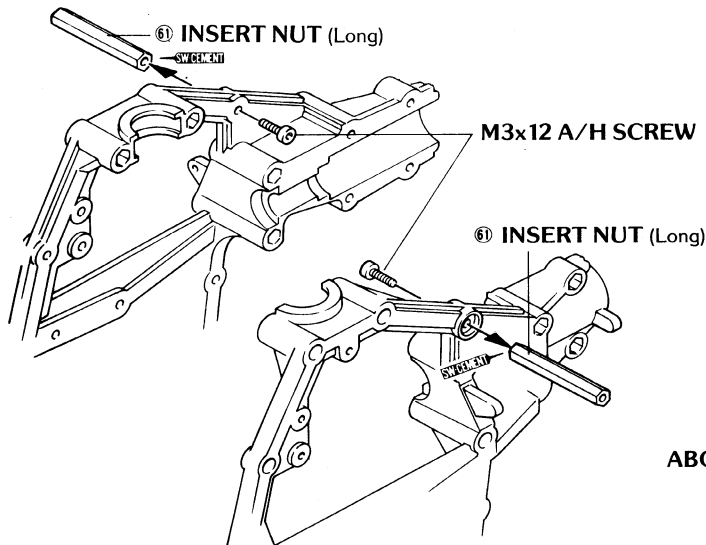
KYOSHO®

KIT NO. H-3208

ENTIRE CONTENTS © COPYRIGHT 1989 HOBBICO® INC.

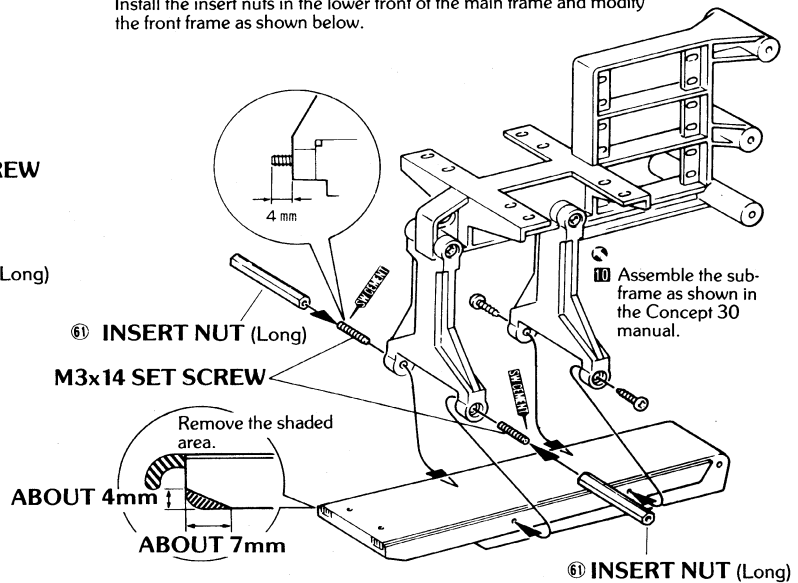
1 INSTALLATION OF BODY MOUNTS

Do not install the short body mounts included with the stock Concept 30. Install the ⑥① insert nut as shown below.



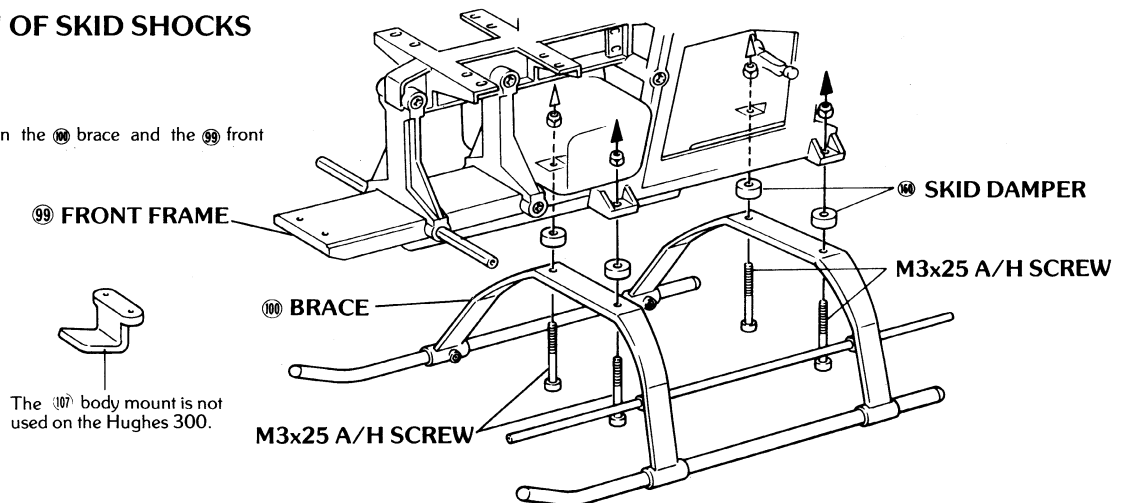
2 INSTALLATION OF FRONT FRAME

Install the insert nuts in the lower front of the main frame and modify the front frame as shown below.



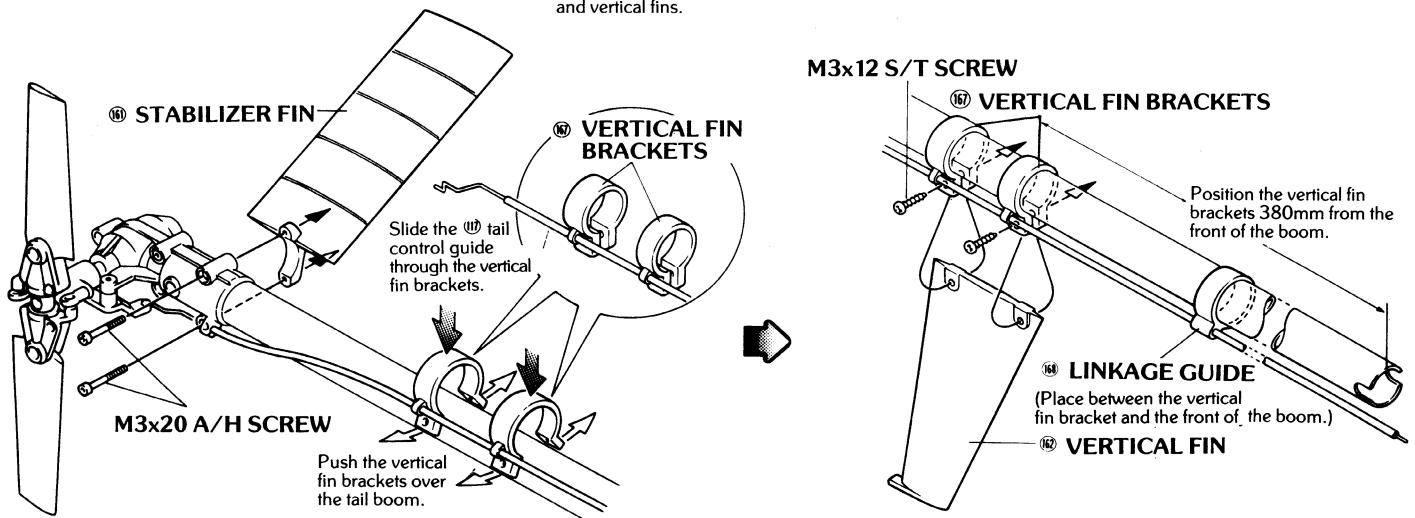
3 INSTALLATION OF SKID SHOCKS

Install the skid dampers between the ⑩⑩ brace and the ⑩⑨ front frame.



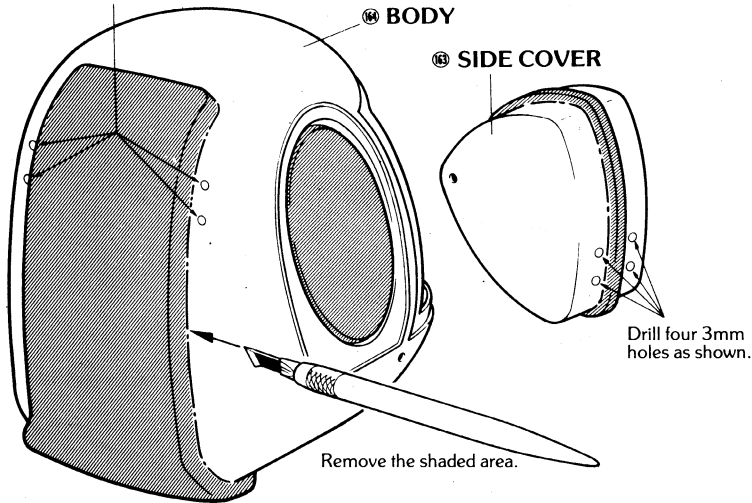
4 FIN INSTALLATION

Install the tail control guide in the Hughes 300 fin brackets and linkage guide, then install the stabilizer and vertical fins.



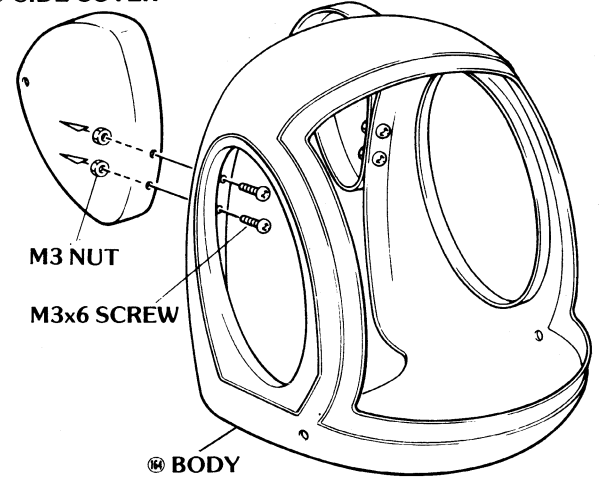
5 TRIMMING THE BODY AND SIDE COVERS

Drill four 3mm holes as shown.



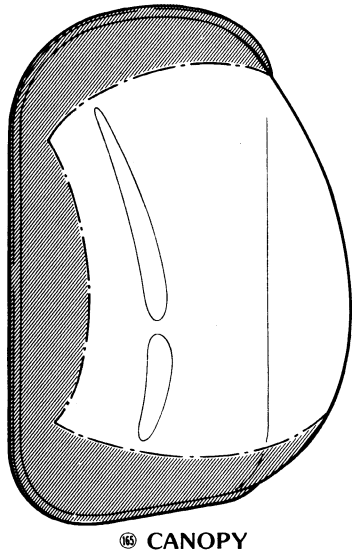
6 INSTALLATION OF SIDE COVER

⑮ SIDE COVER



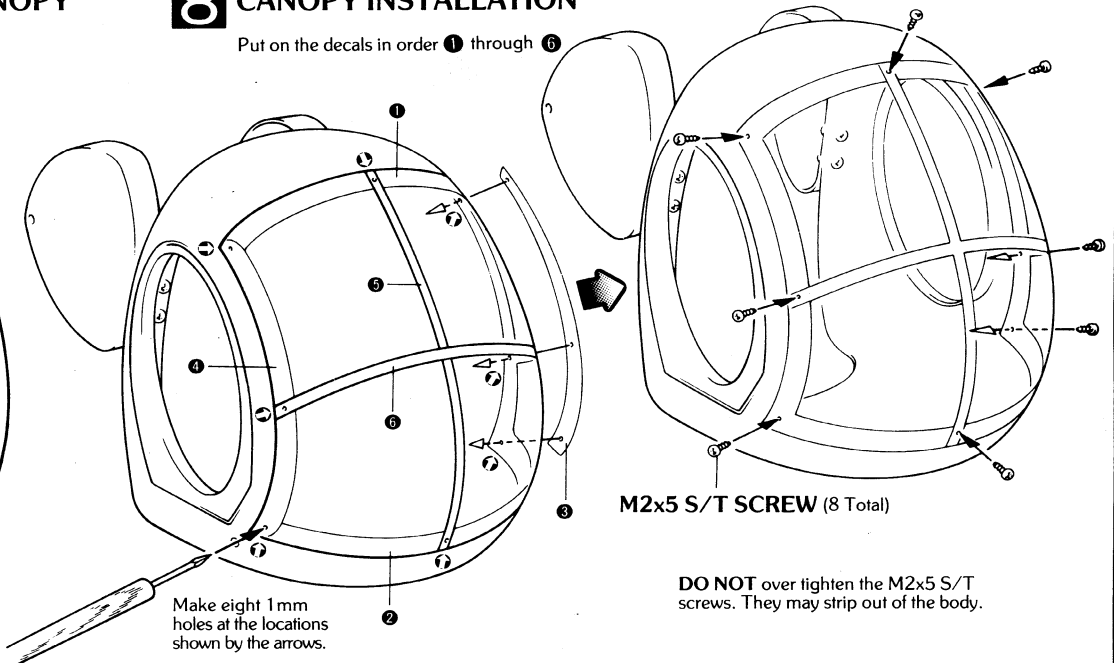
7 TRIMMING THE CANOPY

Remove the shaded area.

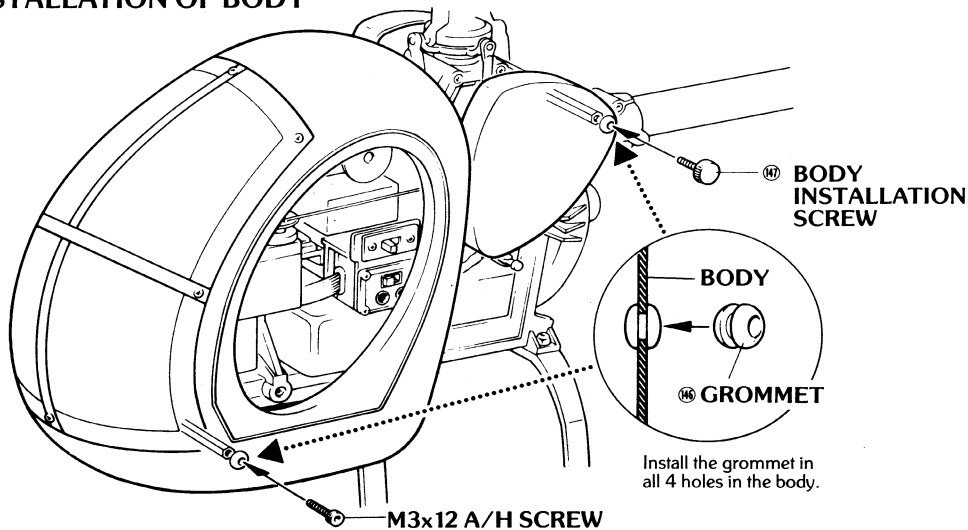


8 CANOPY INSTALLATION

Put on the decals in order ① through ⑥



9 INSTALLATION OF BODY



HUGHES 300 PARTS LIST		
Key No.	Part Name	Qty.
⑥	Insert Nut	4
⑭	Grommet	4
⑱	Skid Damper	4
⑲	Stabilizer Fin	1
⑳	Vertical Fin	1
㉑	Side Cover	2
㉒	Body	1
㉓	Canopy	1
㉔	Decal	1
㉕	Vertical Fin Bracket	2
㉖	Linkage Guide	1

REPLACEMENT PARTS			
Stock No.	Parts Pk.	Description	Contains
KYOE4120	H-3075	Skid Damper	⑱ x 4
KYOE4125	H-3076	Stabilizer Set	⑲ x 1 ⑳ x 2
KYOE4130	H-3077	Body	㉑ x 2 ㉒ x 1
KYOE4135	H-3078	Decals	㉔ x 1
KYOE4140	H-3079	Body Mounting Parts	⑥ ⑭ x 4
			SCREW SET x 1

ENTIRE CONTENTS © COPYRIGHT 1989 HOBBICO® INC.

OPTIONAL PARTS

