

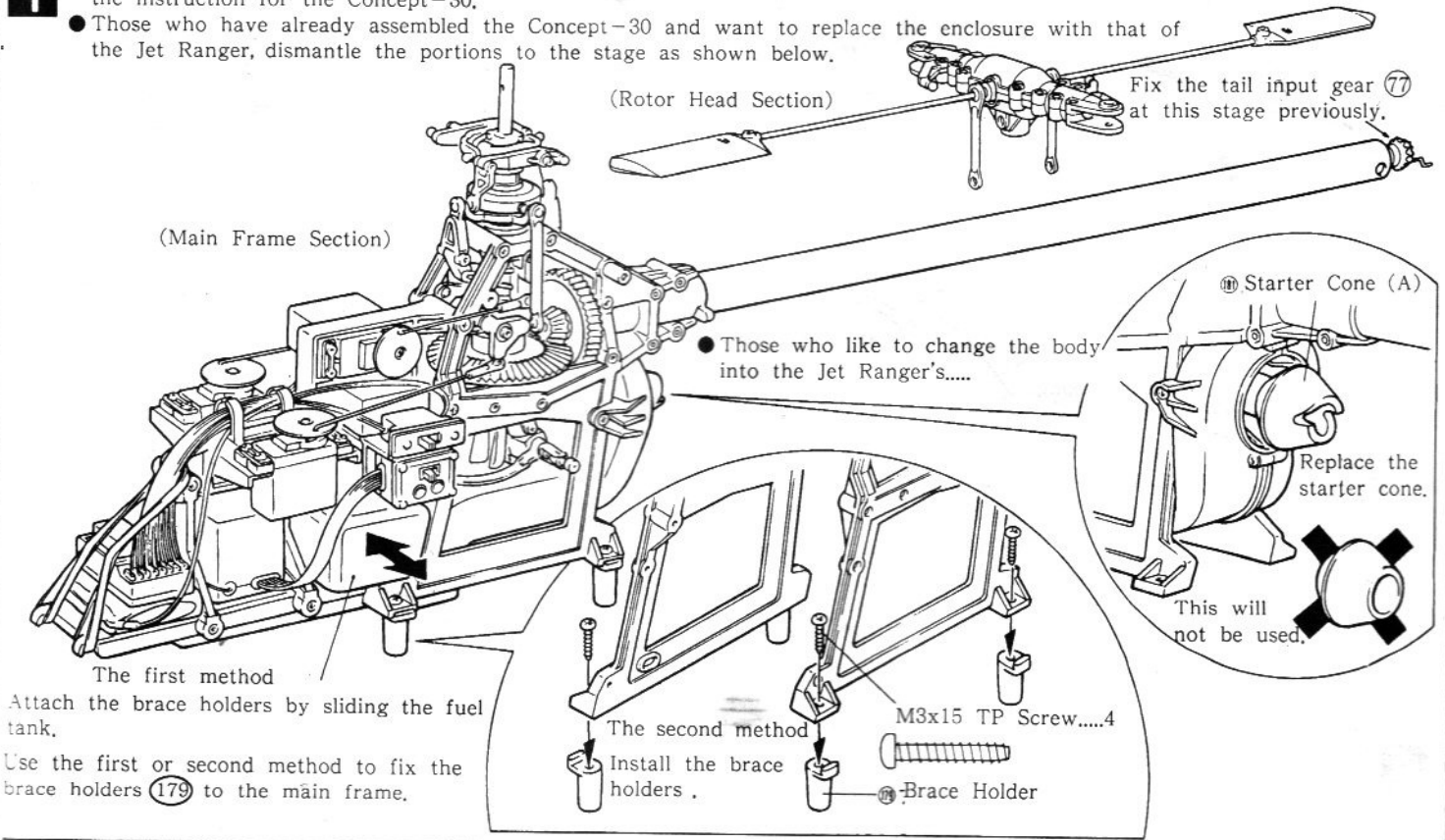
ASSEMBLY INSTRUCTION FOR NO.4095 JET RANGER KIT & NO.3213 BODY SET

NO.4095

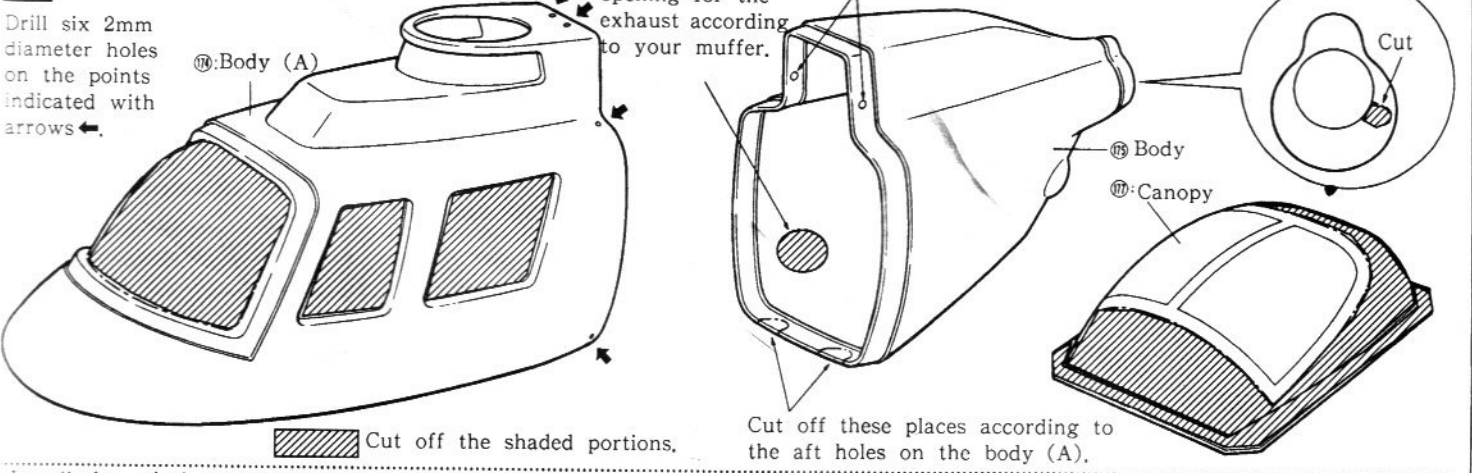
(NO.H3213)

- Assemble the major portions referring to the assembly instruction for the Concept-30.
- Follow this instruction for assembling any sections, like the enclosure, which are different from those of the Concept-30.

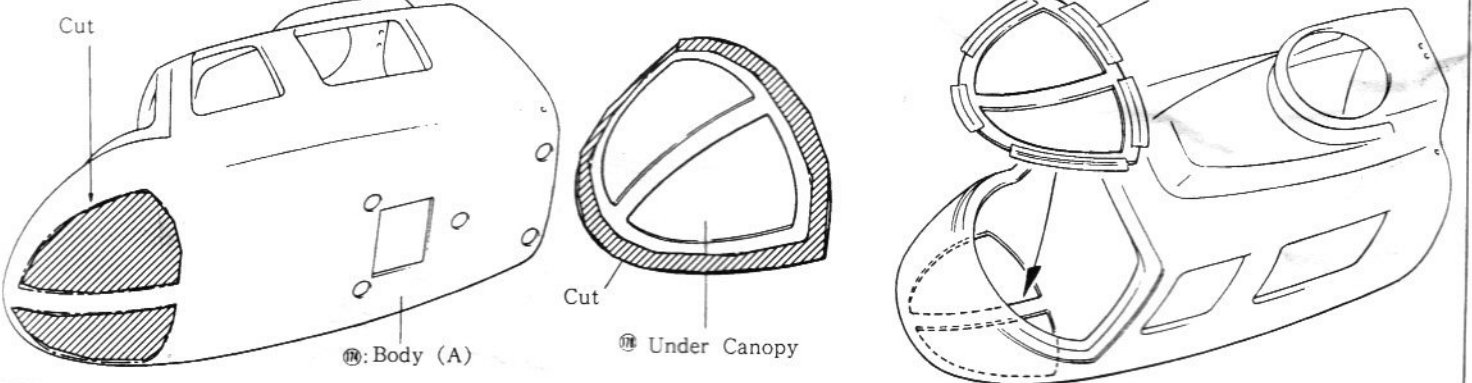
- 1**
- Those who assemble this Jet Ranger kit for the first time, assemble the kit to the stage as shown below according to the instruction for the Concept-30.
 - Those who have already assembled the Concept-30 and want to replace the enclosure with that of the Jet Ranger, dismantle the portions to the stage as shown below.



2 PREPARATION OF BODY AND CANOPY

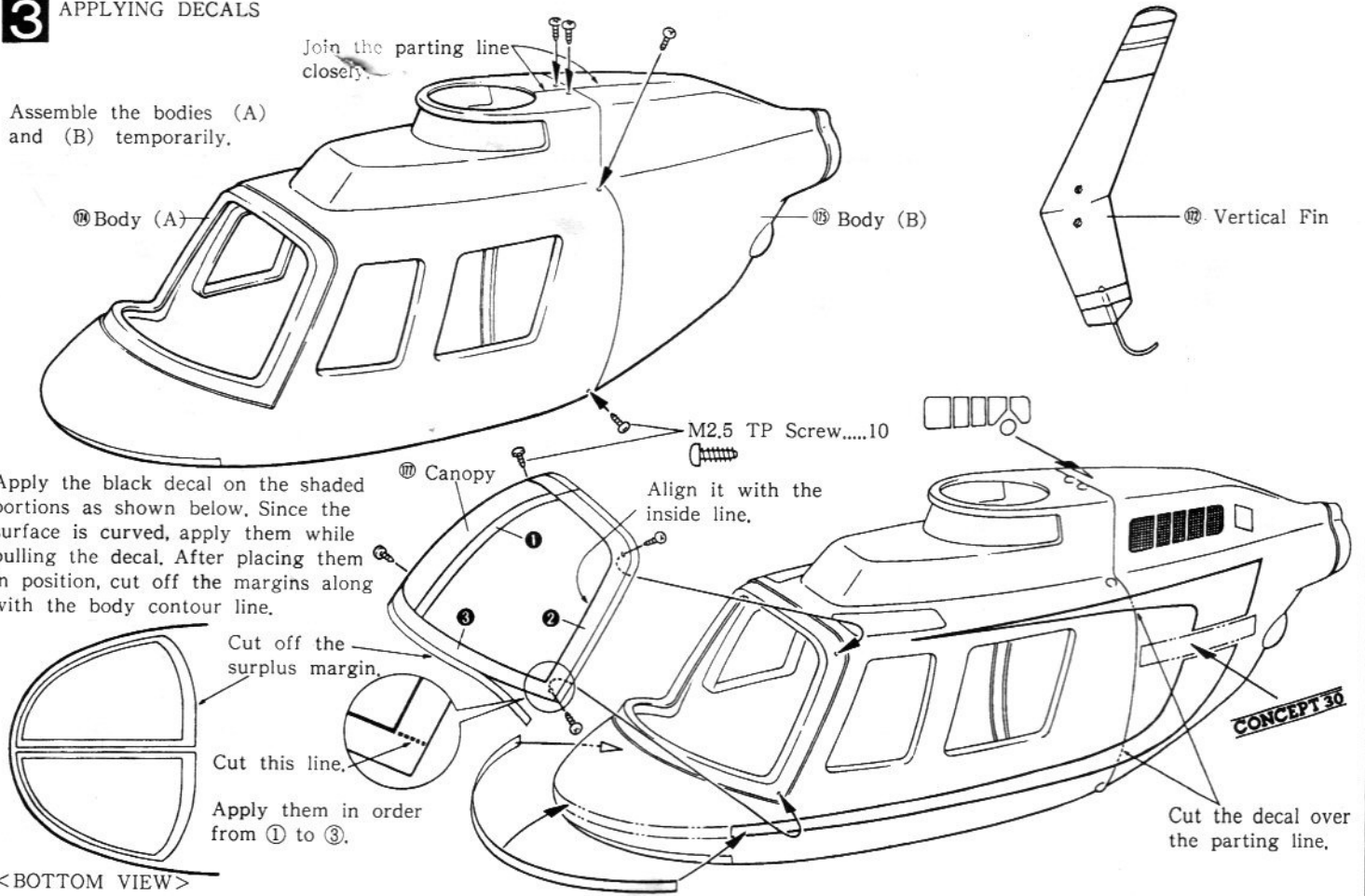


Installation of the under-canopy) The under-canopy will be applied with the decal in step 3, but for those who are eager to make it more realistic, work the body as shown below and fit it. Fit the prepared under-canopy from the inside of the body (A) and secure it with cellophane tape.



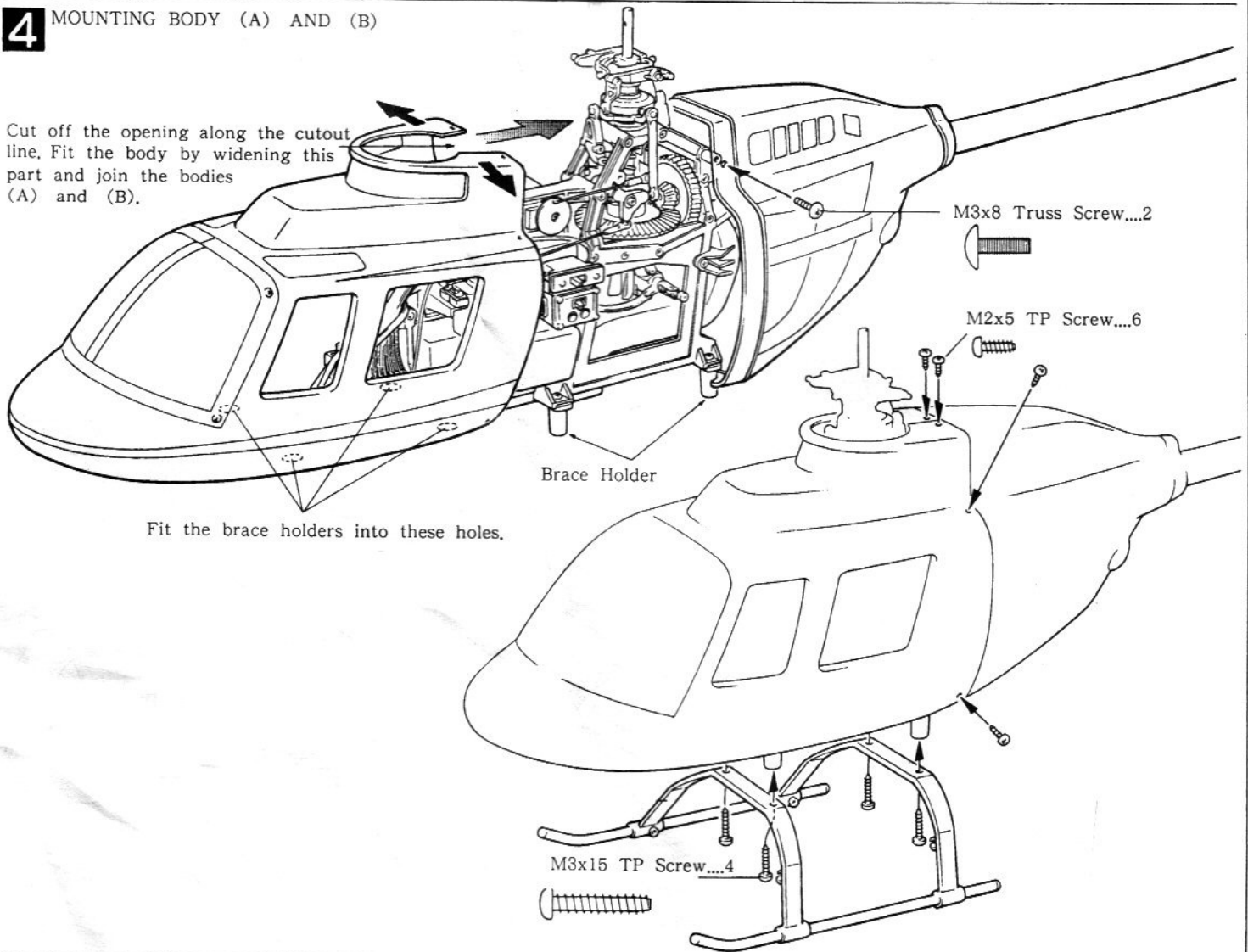
3 APPLYING DECALS

Assemble the bodies (A) and (B) temporarily.

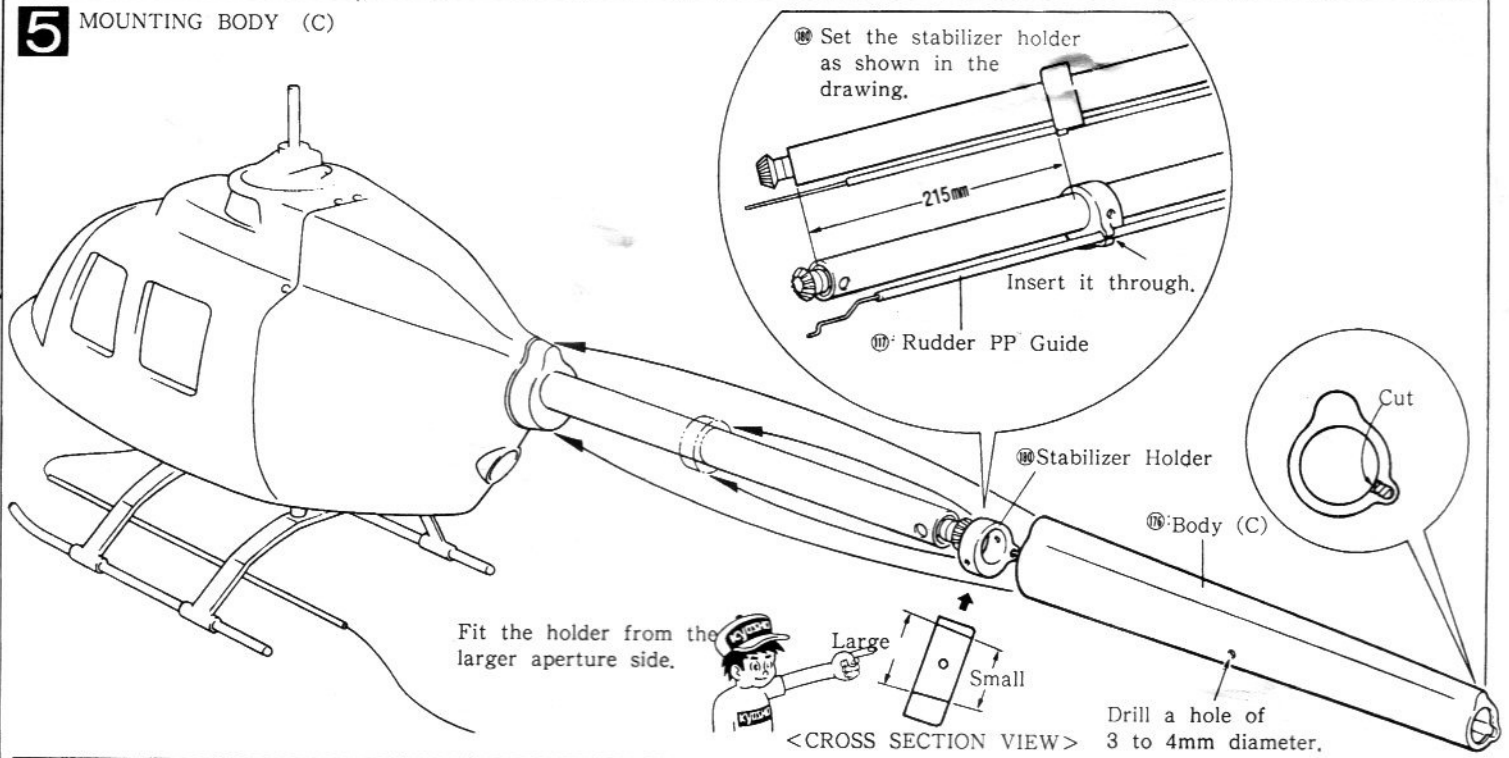


4 MOUNTING BODY (A) AND (B)

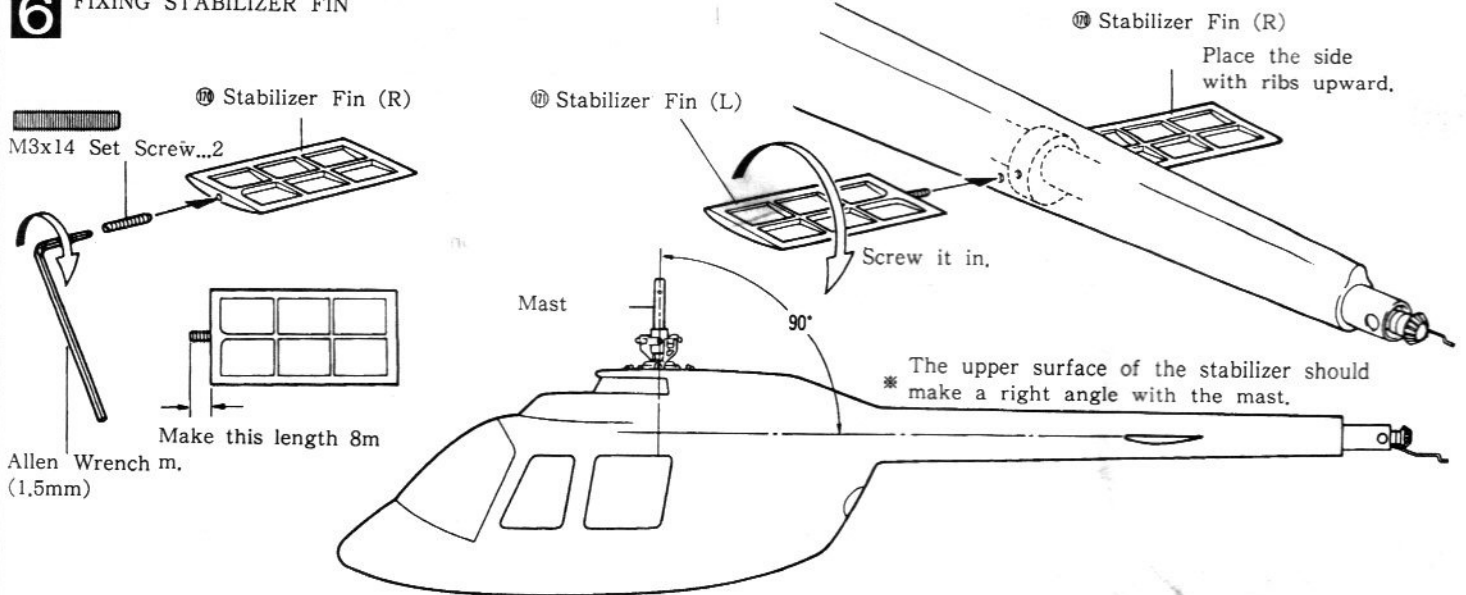
Cut off the opening along the cutout line. Fit the body by widening this part and join the bodies (A) and (B).



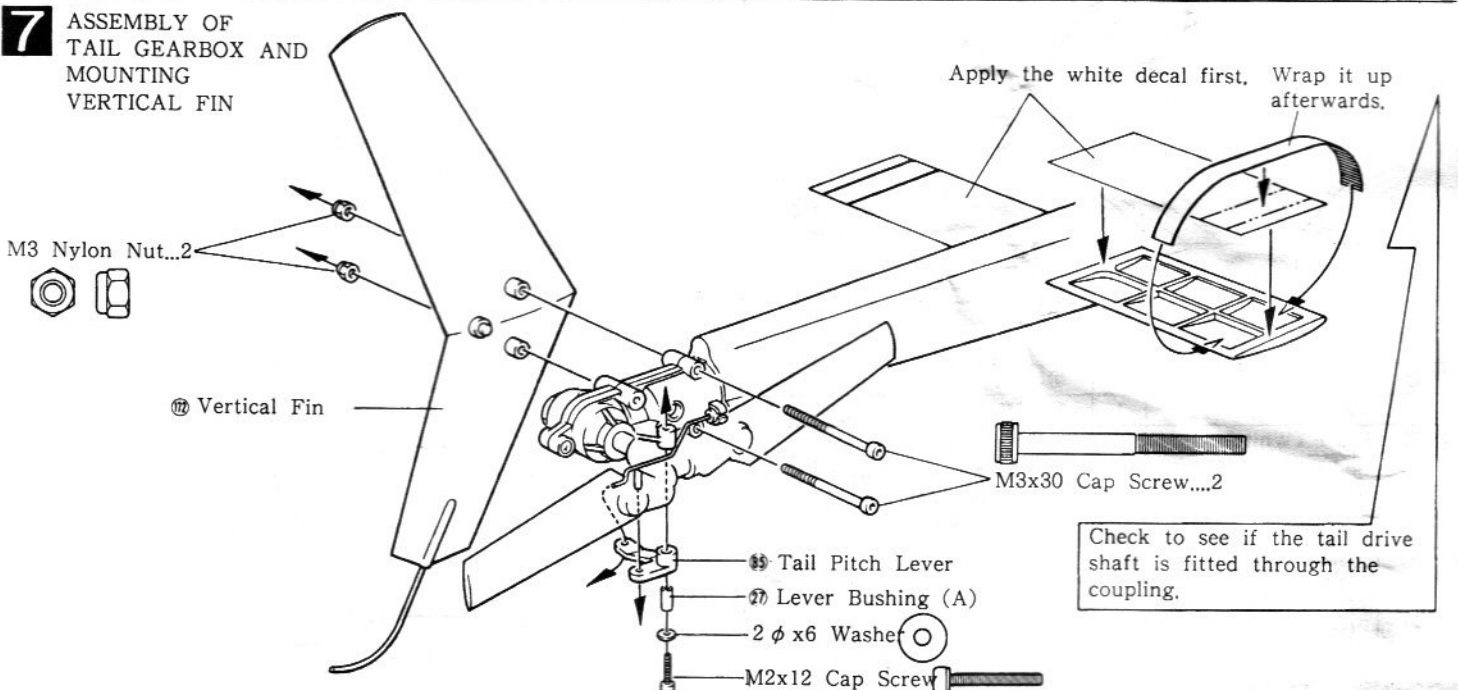
5 MOUNTING BODY (C)



6 FIXING STABILIZER FIN

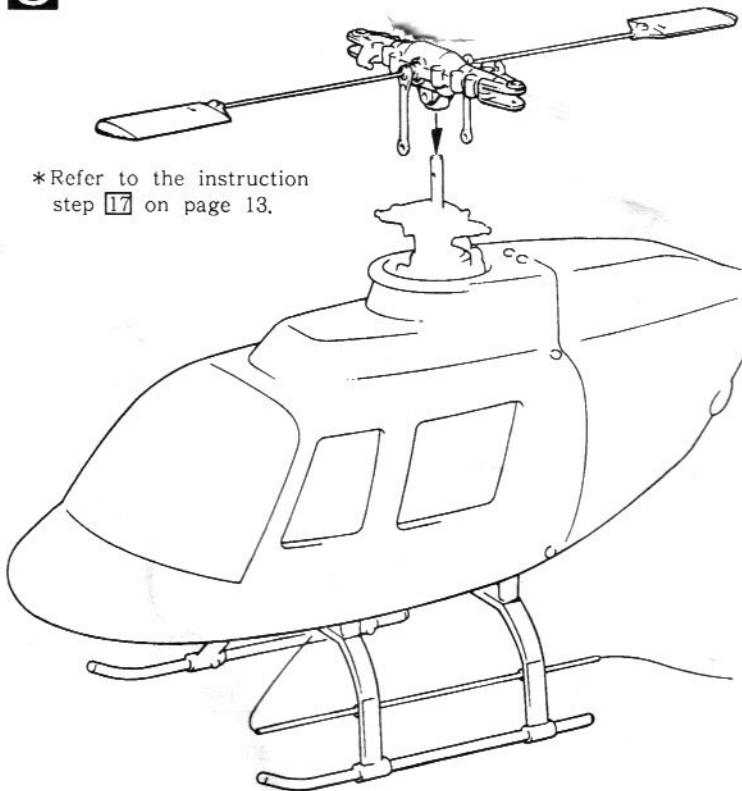


7 ASSEMBLY OF TAIL GEARBOX AND MOUNTING VERTICAL FIN

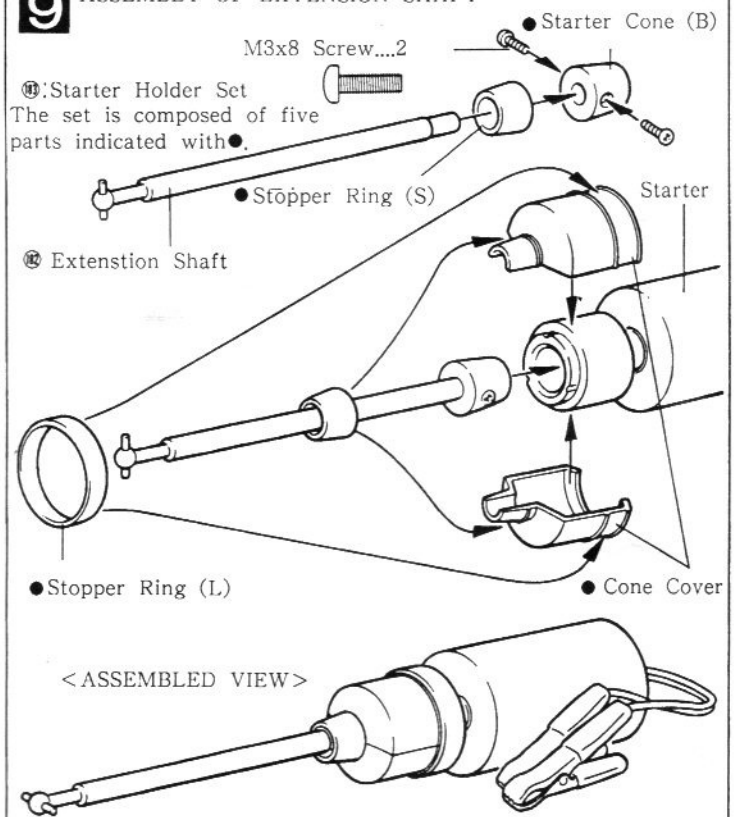


8 FIXING MAIN ROTOR HEAD PORTION

*Refer to the instruction step 17 on page 13.



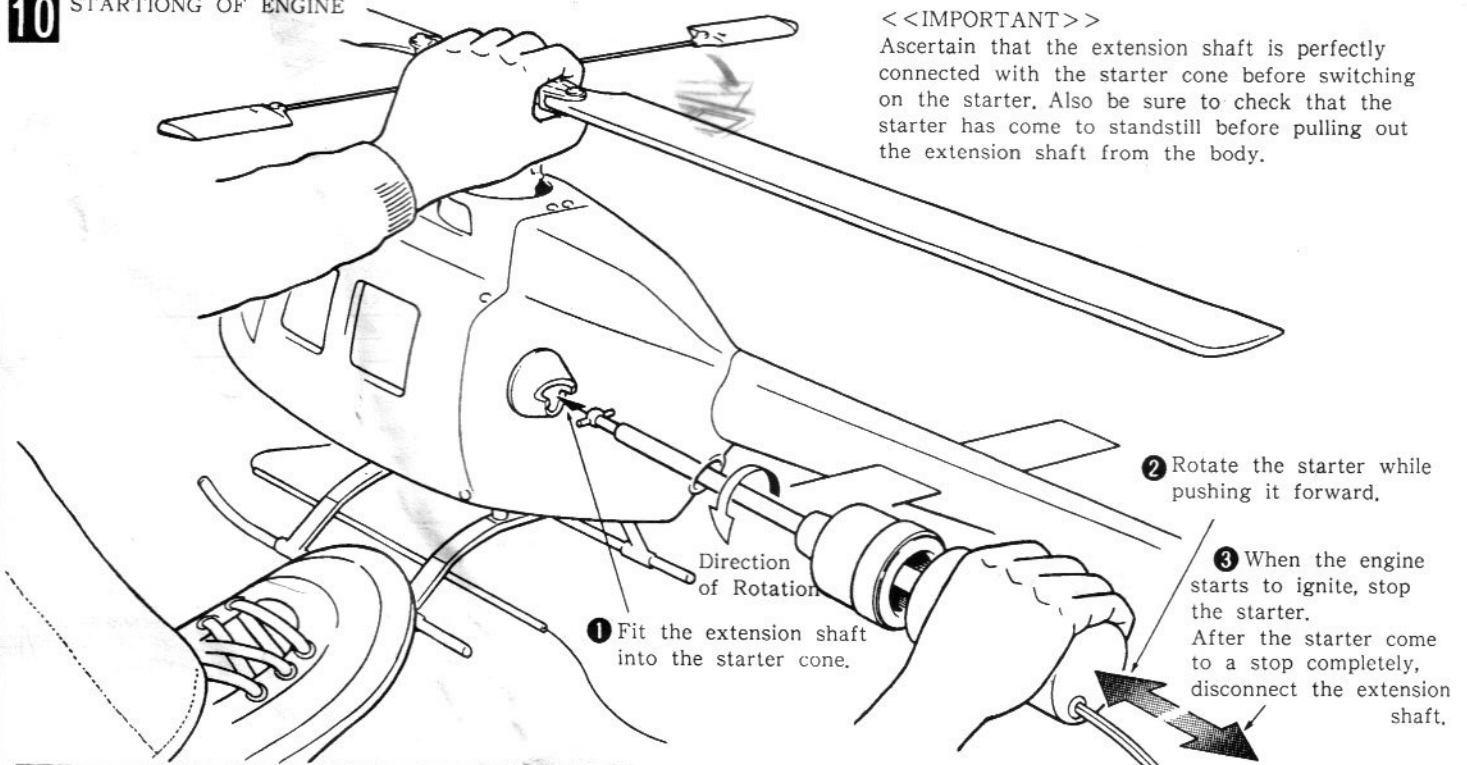
9 ASSEMBLY OF EXTENSION SHAFT



10 STARTING OF ENGINE

<<IMPORTANT>>

Ascertain that the extension shaft is perfectly connected with the starter cone before switching on the starter. Also be sure to check that the starter has come to standstill before pulling out the extension shaft from the body.



PARTS LIST

KEY	NAME	QTY	KEY	NAME	QTY
Ⓜ	Stabilizer Fin (R)	1	Ⓜ	Stabilizer Holder	1
Ⓜ	Stabilizer Fin (L)	1	Ⓜ	Starter Cone (A)	1
Ⓜ	Vertical Fin	1	Ⓜ	Extension Shaft	1
Ⓜ	Brace (White)	2	Ⓜ	Starter Holder Set	1
Ⓜ	Body (A)	1		Stopper Ring (S)	1
Ⓜ	Body (B)	1		Stopper Ring (L)	1
Ⓜ	Body (C)	1		Starter Cone (B)	1
Ⓜ	Canopy	1		Cone Cover	2
Ⓜ	Under Canopy	1	Ⓜ	Decal (A)	1
Ⓜ	Brace Holder	4	Ⓜ	• (B)	1

SPARE PARTS LIST

NO	NAME	KEY NO.
H-3065W	Brace (white)	Ⓜ×2
H-3080	Tail Wing Set	Ⓜ Ⓜ Ⓜ 1
H-3081	Body (A)	Ⓜ×1
H-3082	Body (B)	Ⓜ×1
H-3083	Body (C)	Ⓜ×1
H-3084	Canopy Set	Ⓜ Ⓜ 1
H-3085	Holder Set	Ⓜ×1 Ⓜ×4
H-3086	Decal	Ⓜ Ⓜ 1
H-3215	Extension Shaft Set	Ⓜ×1 Ⓜ×1
H-3216	Starter Cone	Ⓜ×1
H-3074	Main Rotor Kit	