

28-32 SIZED CONCEPT 30 HELICOPTER BODY SET

---

# HUGHES 500

---

- *BODY IS MADE OF SPECIAL REINFORCED LSS PLASTIC*
- *LIGHTWEIGHT AND EASY TO ASSEMBLE*
- *2-PIECE BODY FOR EASY MAINTENANCE AND REPAIR*
- *COMES WITH ATTRACTIVE DECALS FOR AUTHENTICITY AND FOR REALISTIC SCALE APPEARANCE*
- *INCLUDES EVERYTHING NEEDED FOR PROPER INSTALLATION*



#4096

**KYOSHO**®

HOBBICO HELICOPTER SUPPORT & SERVICE LINE  
217-398-2834

Our knowledgeable technical staff is available to answer all your questions through our Helicopter Support and Service Line. If you have any questions on setting up your Concept 30, or encounter problems during assembly, give us a call weekdays between 9:00 a.m. and 5:00 p.m. CST.

ENTIRE CONTENTS ©COPYRIGHT 1989, **Hobbico**®, INC.

VI.0

# HUGHES 500

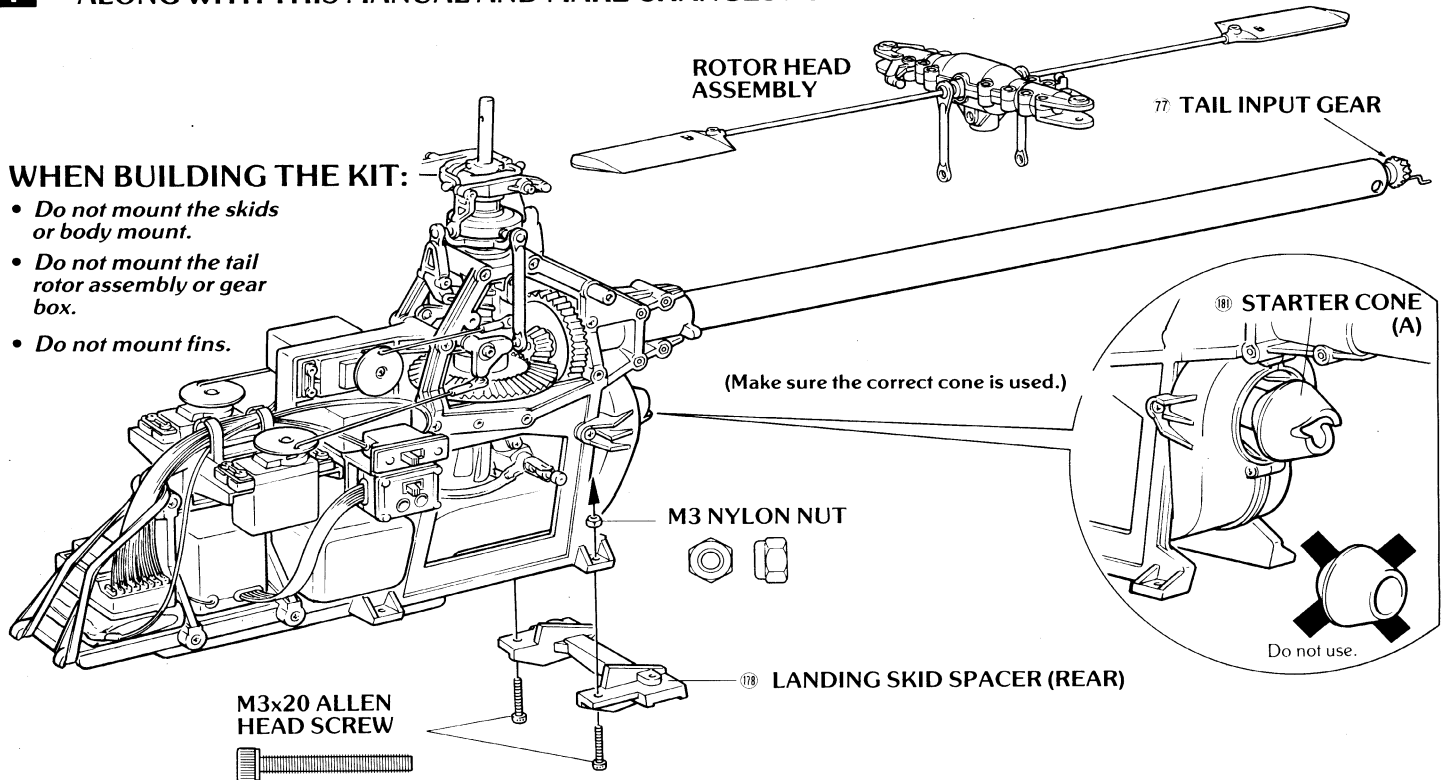
## BODY INSTALLATION INSTRUCTIONS

NO. 4096

**1** ASSEMBLE THE CONCEPT 30 ACCORDING TO THE MAIN INSTRUCTION MANUAL. BUT, FOLLOW ALONG WITH THIS MANUAL AND MAKE CHANGES AS NECESSARY.

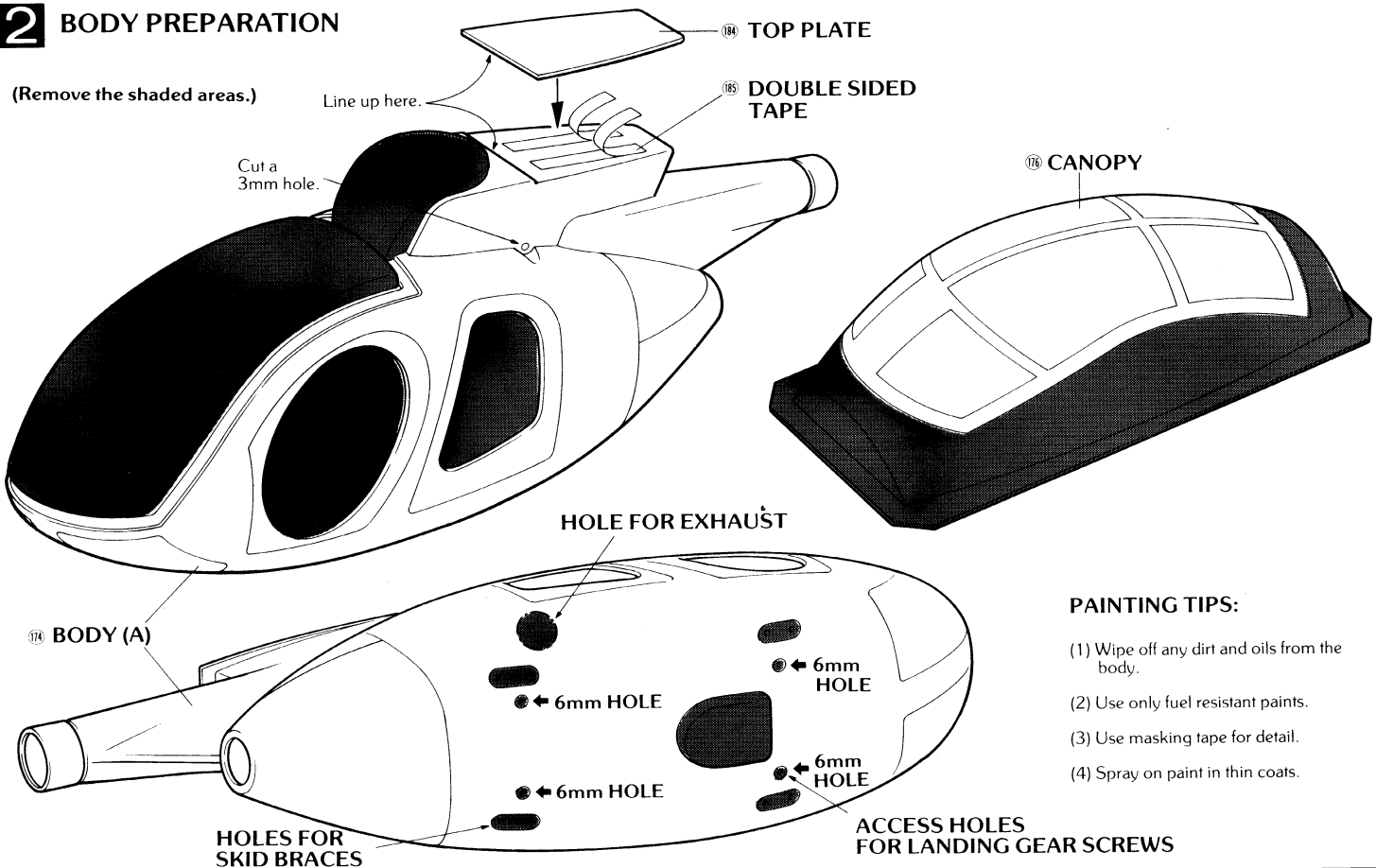
### WHEN BUILDING THE KIT:

- Do not mount the skids or body mount.
- Do not mount the tail rotor assembly or gear box.
- Do not mount fins.



## 2 BODY PREPARATION

(Remove the shaded areas.)

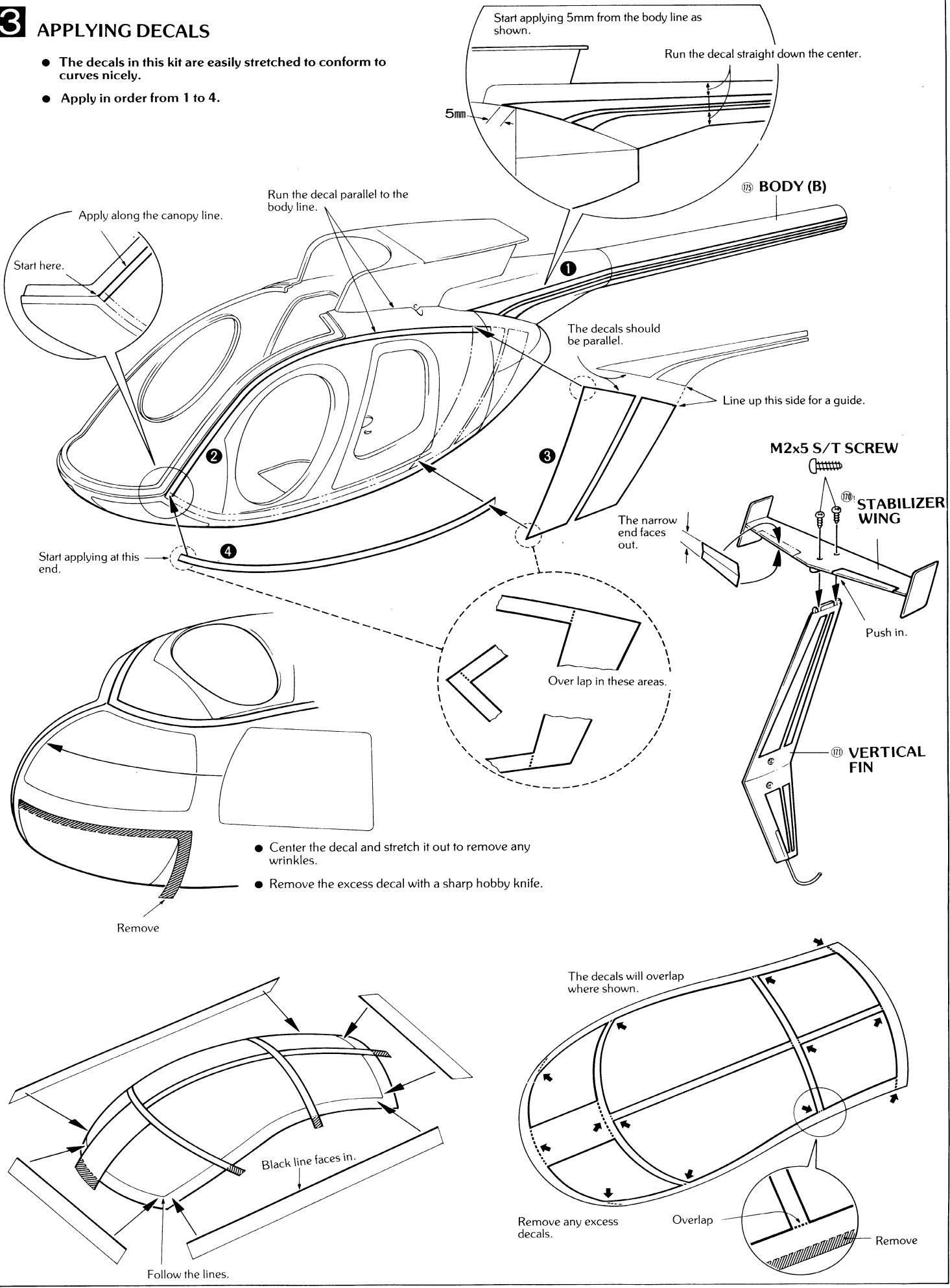


### PAINTING TIPS:

- (1) Wipe off any dirt and oils from the body.
- (2) Use only fuel resistant paints.
- (3) Use masking tape for detail.
- (4) Spray on paint in thin coats.

### 3 APPLYING DECALS

- The decals in this kit are easily stretched to conform to curves nicely.
- Apply in order from 1 to 4.



## 4 MOUNTING THE BODY

Slide the fuselage on from the back.

M3 NYLON NUT



178 BRACE (R)

M3x4 SET SCREW



177 LANDING GEAR SPACER (FRONT)

179 SKID

177 BRACE (L)

180 SKID CAPS

177 LANDING GEAR SPACER (FRONT)

178 BRACE (R)

178 BRACE (L)

- Assemble these within the fuselage.

M3x8 ALLEN HEAD SCREW



M3x20 ALLEN HEAD SCREW



175 BODY (B)

Remove the shaded area.

M2x5 S/T SCREW



Attach the canopy as shown.

## 5 TAIL ASSEMBLY

Refer to the main assembly manual for more detail.

M3 NYLON NUT



VERTICAL FIN

M3x30 ALLEN HEAD SCREWS

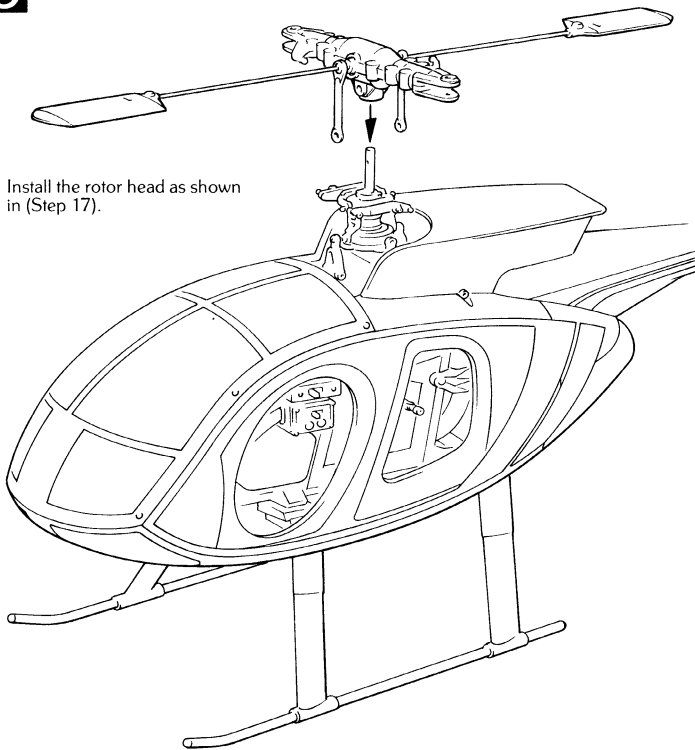
85 TAIL PITCH LEVER

27 LEVER BUSHING (A)

M2 WASHER  
M2x12 ALLEN HEAD SCREW

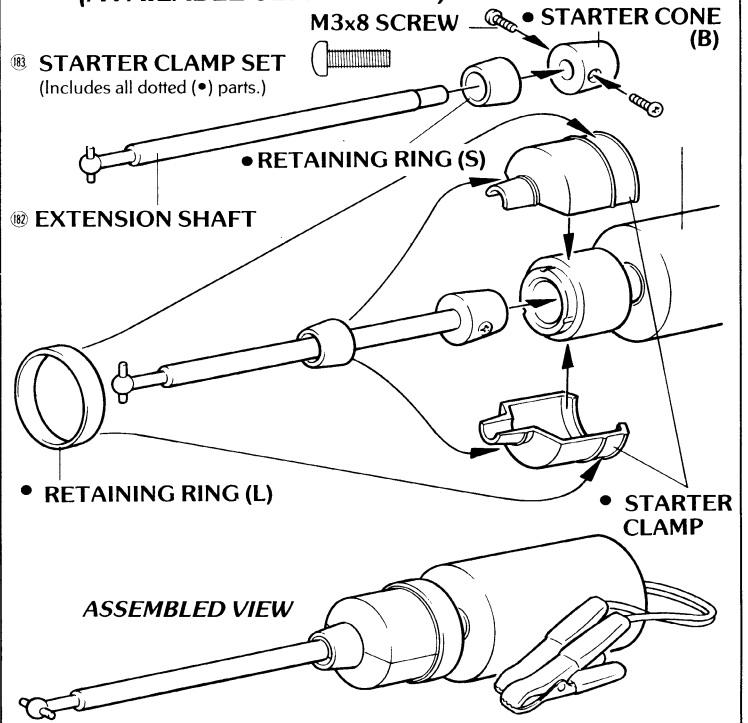
Make sure that the drive shaft is secure in the drive shaft coupling. (Step 22)

## 6 ROTOR HEAD INSTALLATION

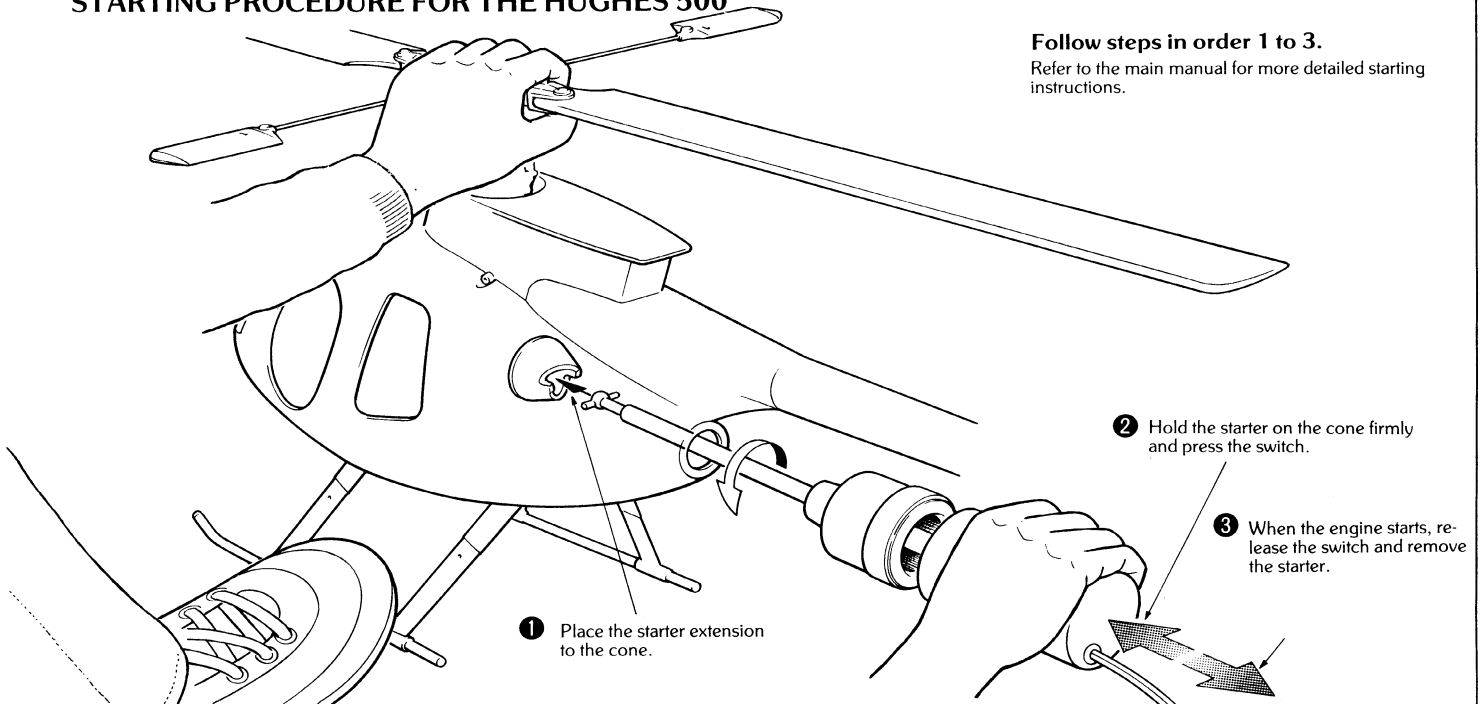


Install the rotor head as shown in (Step 17).

## STARTER EXTENSION ASSEMBLY (AVAILABLE SEPARATELY)



## STARTING PROCEDURE FOR THE HUGHES 500



Follow steps in order 1 to 3.

Refer to the main manual for more detailed starting instructions.

1 Place the starter extension to the cone.

2 Hold the starter on the cone firmly and press the switch.

3 When the engine starts, release the switch and remove the starter.

### PARTS LIST

KEY #	PART	QTY	KEY #	PART	QTY
(170)	Stabilizer Wing	1	(181)	Starter Cone (A)	1
(171)	Vertical Fir	1	(182)	Extension Shaft	1
(172)	Brace (L)	2	(183)	Starter Clamp Set	
(173)	Brace (R)	2		Starter Cone (B)	1
(174)	Body (A)	1		Retaining Ring (S)	1
(175)	Body (B)	1		Retaining Ring (L)	1
(176)	Canopy	1		Starter Clamps	2
(177)	Landing Gear Spacer (Fr)	1	(184)	Top Plate	1
(178)	Landing Gear Spacer (Rr)	1	(185)	Double Sided Tape	1
(179)	Skids	2	(186)	Decal Sheet	2
(180)	Skid Caps	4			

### PURCHASING HUGHES 500 PARTS

STOCK #	PART #	DESCRIPTION	CONTAINS
KYOE4180	H-3087	Tail Wing Set	(170) (171) x1
KYOE4185	H-3088	Body (A) Front	(174) (184) (185) x1
KYOE4190	H-3089	Body (B) Tail Boom	(175) x1
KYOE4195	H-3090	Canopy Set	(176) x1
KYOE4200	H-3091	Brace (Landing Gear)	(172) (173) x2
KYOE4205	H-3092	Brace Holder	(177) (178) x1
KYOE4210	H-3093	Skid Set	(179) x2   (180) x4
KYOE4215	H-3094	Decal Set	(186) x1
KYOE5039	H-3215	Extension Shaft Set	(181) x1   (183) x1
KYOE5040	H-3216	Starter Cone (A)	(181) x1

# CONCEPT 30 ACCESSORIES

## CONCEPT 30



The Concept 30 is available in 6 styles!

KYOE0240	4087H	Concept 30 DX Assembled
KYOE0250	4085H	Concept 30 DX Assembled w/Engine
KYOE0260	4089	Concept 30 DX Kit
KYOE0270	4090	Concept 30 SE Kit
KYOE0274	4095	Concept 30 SE Jet Ranger Kit
KYOE0278	4096	Concept 30 SE Hughes 500 Kit

## JET RANGER



KYOE0274 Concept 30 SE Jet Ranger Kit  
KYOE0300 Jet Ranger Fuselage

## HUGHES 500

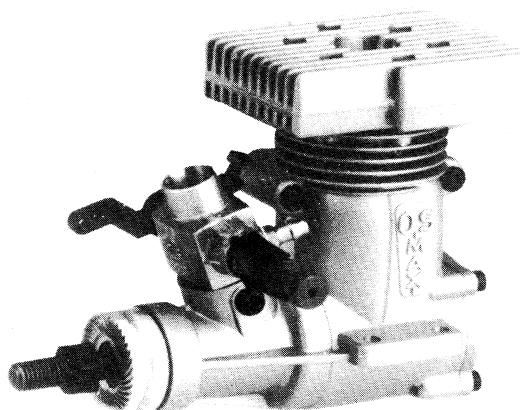


KYOE0278 Concept 30 SE Hughes 500 Kit  
KYOE0310 Hughes 500 Fuselage

## HUGHES 300



KYOE0321 Hughes 300 Fuselage



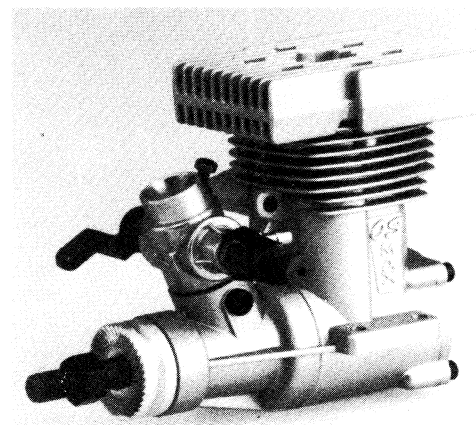
OSMG1930 28 F-H ABC

### O.S. 28 F-H ABC

The O.S. 28 F-H ABC helicopter engine is the perfect choice for the Concept 30 DX helicopter. Designed for quick and easy starting, smooth acceleration and reliable performance, the O.S. 28 F-H ABC engine is ideal for novice and intermediate fliers.

### O.S. 32 F-H

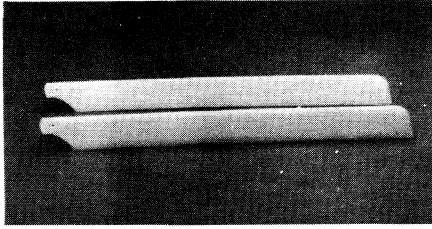
The O.S. 32 F-H helicopter engine is recommended for the Concept 30 SE. Specifically designed for the power requirements of advanced aerobatic maneuvers, experienced helicopter pilots will appreciate the high power and dependability provided by the O.S. 32 F-H engine.



OSMG1932 32 F-H

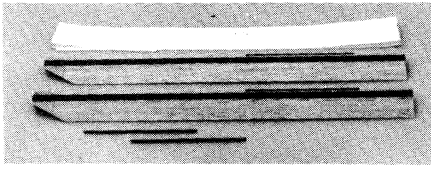
## MAIN ROTOR BLADES

The pro blades are composite fiberglass main blades that are lightweight and designed to produce less drag.



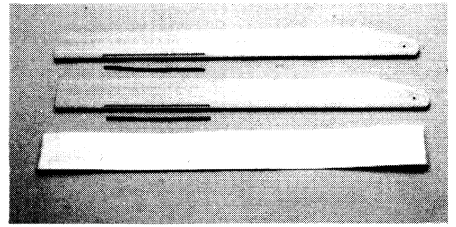
KYOE1160 Pro Blades

The expert wood blades come in two styles - weighted and non-weighted. The weighted blades are great for stability and auto rotation. The non-weighted blades allow quick RPM response for aerobatics.



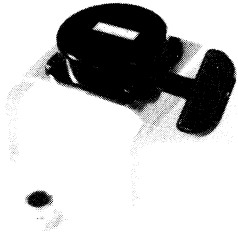
KYOE5033 Expert Wood Blades  
KYOE5032 Expert Weighted Wood Blades

The sport blades are 1-piece wood blades designed for the beginner and are economically priced.



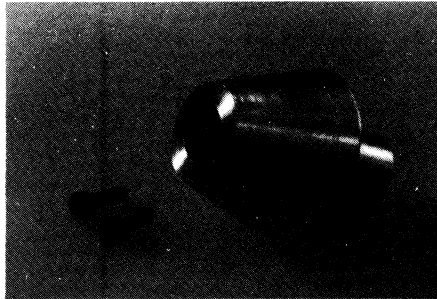
KYOE5034 Sport Blades

## STARTING ACCESSORIES

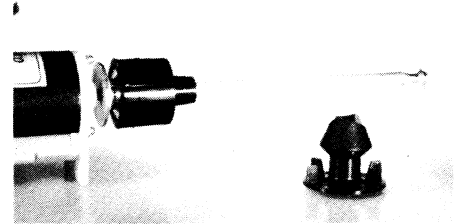


The recoil starter allows the helicopter to be started without the use of an electric starter.

KYOE5037 Recoil Starter

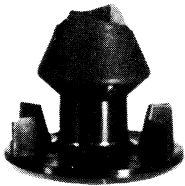


KYOE5035 Aluminum Starter Cone



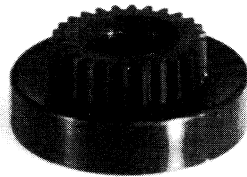
The extension shaft is for starting the Jet Ranger and Hughes 500.

KYOE5039 Extension Shaft



The starter cone is for use with the starter extension shaft.

KYOE5040 Jet Ranger/Hughes 500 Starter Cone



The drive gear allows the use of bearings reducing drag and wear.

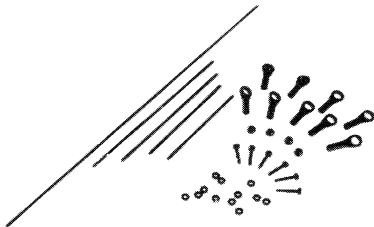
KYOE5042 Drive Gear for Bearings



The clutch bearings are for use in the drive gear.

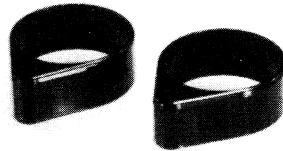
KYOE5044 Clutch Bearing

## OPTIONAL PARTS

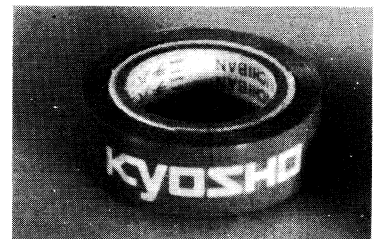


This custom ball link set eliminates the Z-bend at the servo arm.

KYOE5054 Servo Ball Link Set

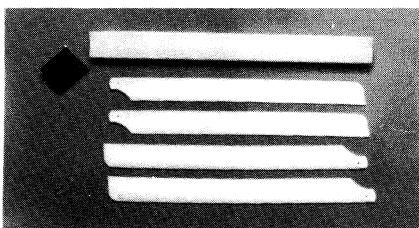


KYOE5050 Tail Linkage Guide

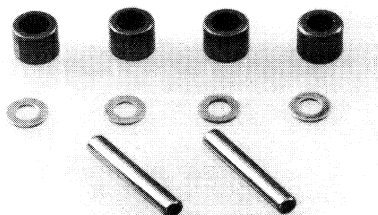


The colored tape allows the blade tips to be seen easily to adjust tracking.

KYOE5052 Tracking Tape

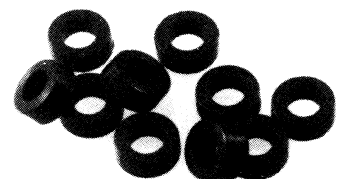


KYOE5030 Rotor Blade Case and 2 Sets of Rotor Blades



The feathering shaft bearings help reduce wear and provide smooth operation.

KYOE5010 Feathering Shaft Bearings



The hard dampers reduce the amount of flapping of the main rotor blades for improved aerobatic performance.

KYOE5015 Hard Dampers

**KYOSHO**  
**INNOVATIVE DESIGN, ADVANCED TECHNOLOGY, TOTAL SUPPORT...**



# ... WHAT A Concept!

**These Scale Fuselages Also Available**



**Hughes 500**



**Jet Ranger**

**Designed for Your Style of Flying.**

Whether you're just learning to hover or attempting your first advanced maneuvers, the Kyosho Concepts were designed to give you the quality airtime that makes R/C helicopters your choice for excitement. Novice heli pilots will marvel at the Concept 30 DX. With built-in stability provided by the advanced rotor head design and in-line stabilizer, even the new pilot will be hovering in no time. Experienced pilots will find performance levels approaching a sixty-sized machine from their full bearinged Concept SE. Not only do the Concepts fly great, they're built to last through those "not-so-soft" landings without decimating your R/C budget.

**Total Support Means Quality Airtime.**

When you fly your Concept 30, you're not flying alone. We're dedicated to making your Concept experience a success right from the start. Clear and simple instructions put you in the air in no time, and our dealer support program insures that all the spare parts will be available to keep you flight-ready. Got a question about your new Concept 30? Call us weekdays at (217) 398-2834 between 9 and 5 CST. We'll answer your Concept questions and provide technical assistance.

Whether you're just considering helicopters or have already logged a thousand flights, the Kyosho Concept 30s combine the design, technology and support that adds up to what R/C pilots want most - Quality Airtime. So get some Quality Airtime of your own. See the new Kyosho Concepts at your nearest hobby retailer.