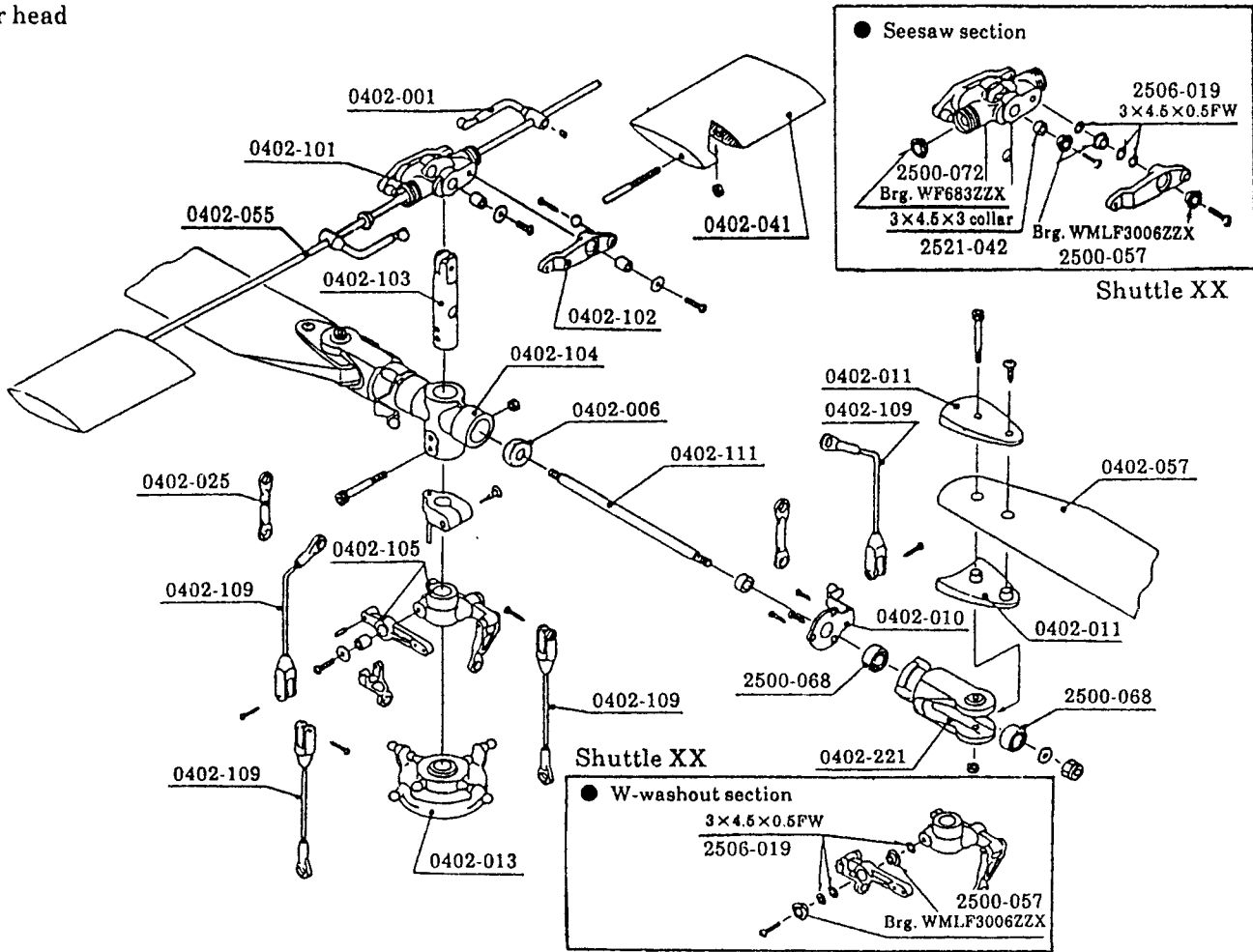
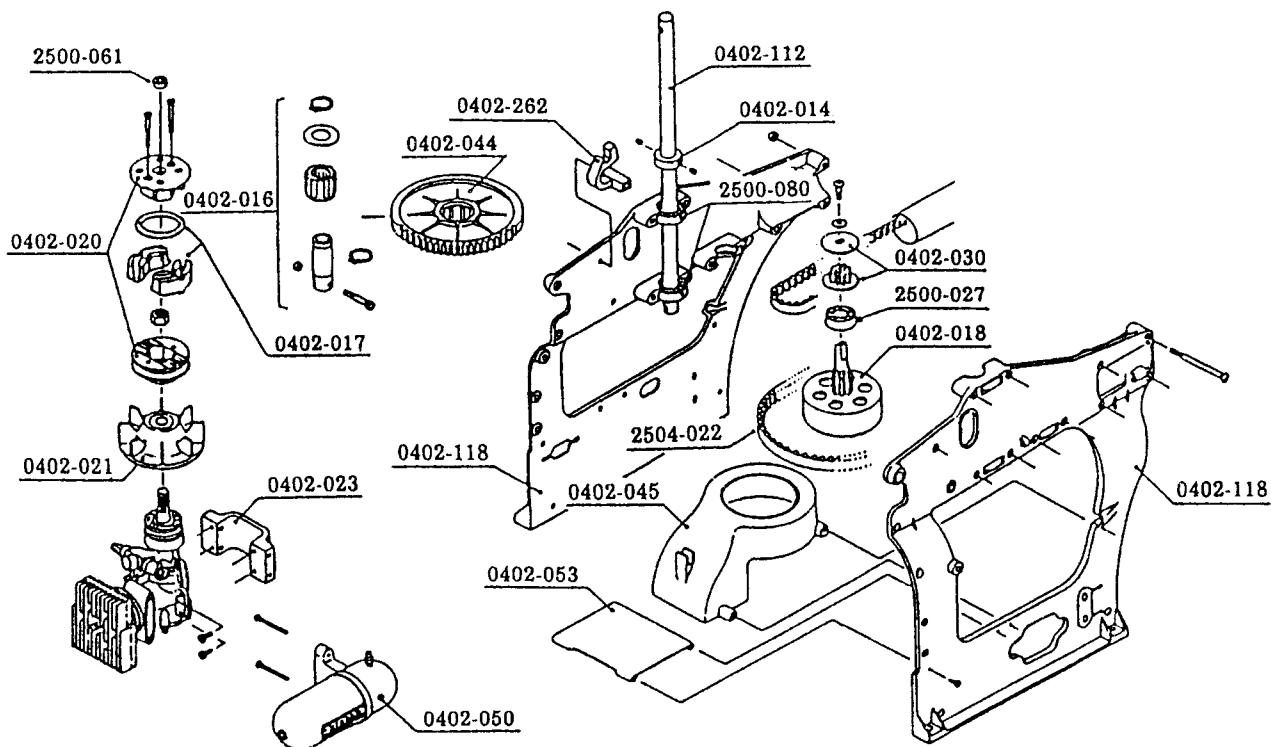


## Rotor head



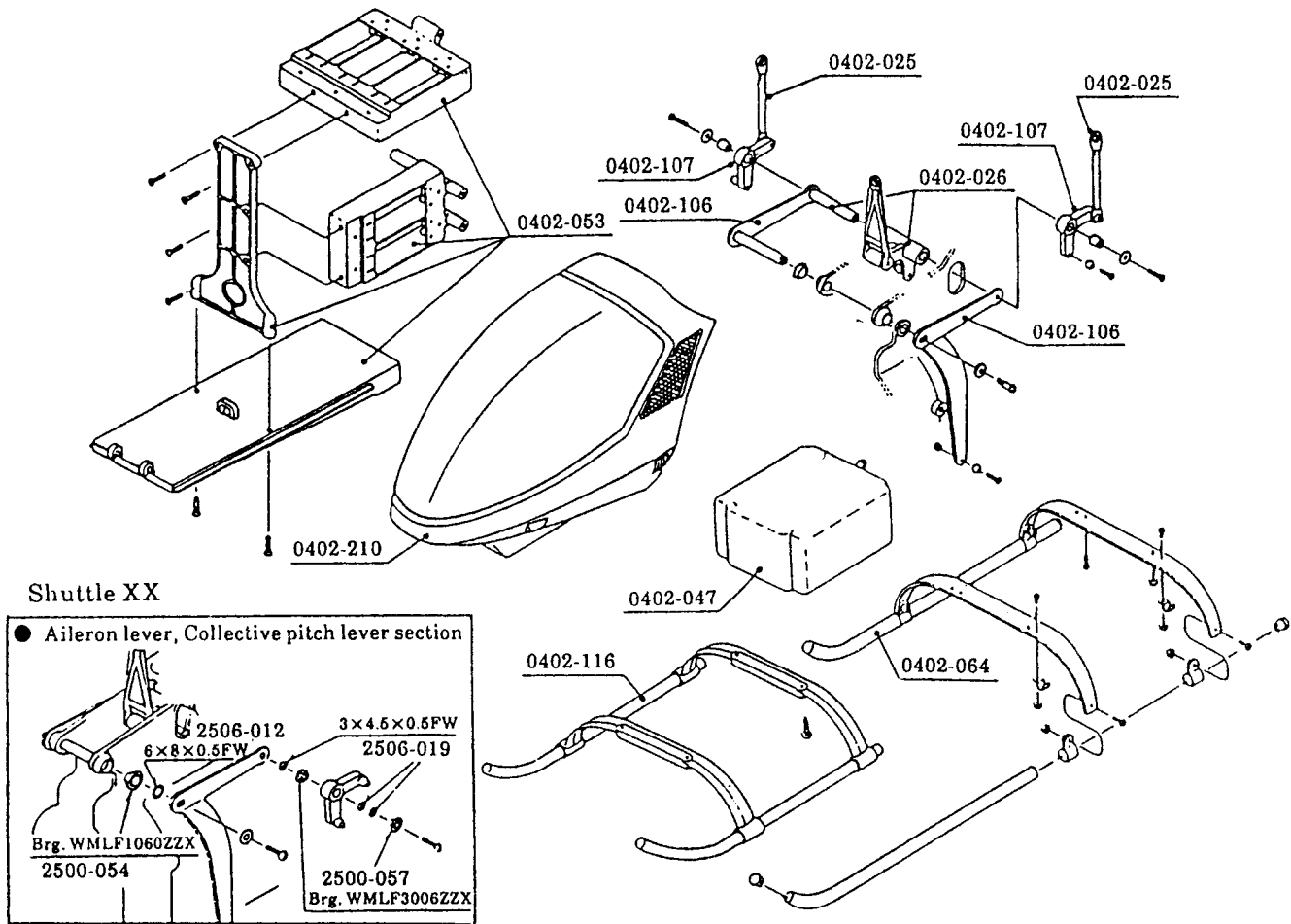
Code No.	Name of parts	Quantity	Japanese retail price (¥)	Remarks	30 Lama	NS Shuttle	Shuttle XX	Shuttle Z	Shuttle ZX
0402-001	Stabilizer control arm	2	600	With $\phi 5$ ball and screw	○	○	○	○	○
0402-006	Damper rubber	4	400		○	○	○	○	○
0402-221	Blade holder set (with pitch arm)	2	1,200		○	○	○	○	○
0402-010	Pitch arm set	2	600	With $\phi 5$ ball and screw	○	○	○	△	△
0402-011	Root end (A) (B)	2 for each	600	With screw	○	○	○	○	○
0402-013	Swash plate assembly	1	2,000		○	○	○	○	○
0402-140	$\phi 8$ coaxial swash plate (Metal made)	1	6,800		○	○	○	○	○
0402-041	Stabilizer blade	2	1,000	With M3 nut	○	○	○	○	○
0402-055	Stabilizer bar	2	800		○	○	○	○	○
0402-057	Main blade	2	2,500	Painted	△	○	○	△	△
0402-129	Main blade L=550	2	2,900	With weight Use with belt and pipe	○	△	△	○	○
0402-101	NS seesaw	1	700	With FW, screw and bushing	○	○	○		
0402-102	NS mixing arm	2	600	With $\phi 5$ ball, FW, bushing and screw	○	○	○	○	○
0402-103	NS center hub	1	700		○	○	○		
0402-104	NS yoke	1	700		○	○	○		
0402-105	NS wash-out set	1 set	1,400		○	○	○	○	○
0402-109	NS linkage set (A)	1 set	700		○	○	○		
0402-111	NS feathering spindle	1	600	With collar	○	○	○	○	○
0402-122	NS rotor head assembly	1	6,500	Without stabilizer blade and bar	○	○	○	△	△
2500-068	Bearing $\phi 5 \times \phi 13 \times 4$ ZZ	2	1,200	Support blade holder	○	○	○	○	○
2500-057	Bearing $\phi 3 \times \phi 6 \times 2.5$ F ZZ	2	1,200	Support seesaw, mixing arm and wash-out		○	○	○	○
2500-072	Bearing $\phi 3 \times \phi 7 \times 3$ F	2	1,200	Support stabilizer bar		○	○	○	○
2506-019	FW $3 \times 4.5 \times 0.5$	10	200	Mixing arm and wash-out		○	○	○	○
2521-042	Collar $3 \times 4.5 \times 3$	2	200	Support seesaw		○	○		

## Main frame



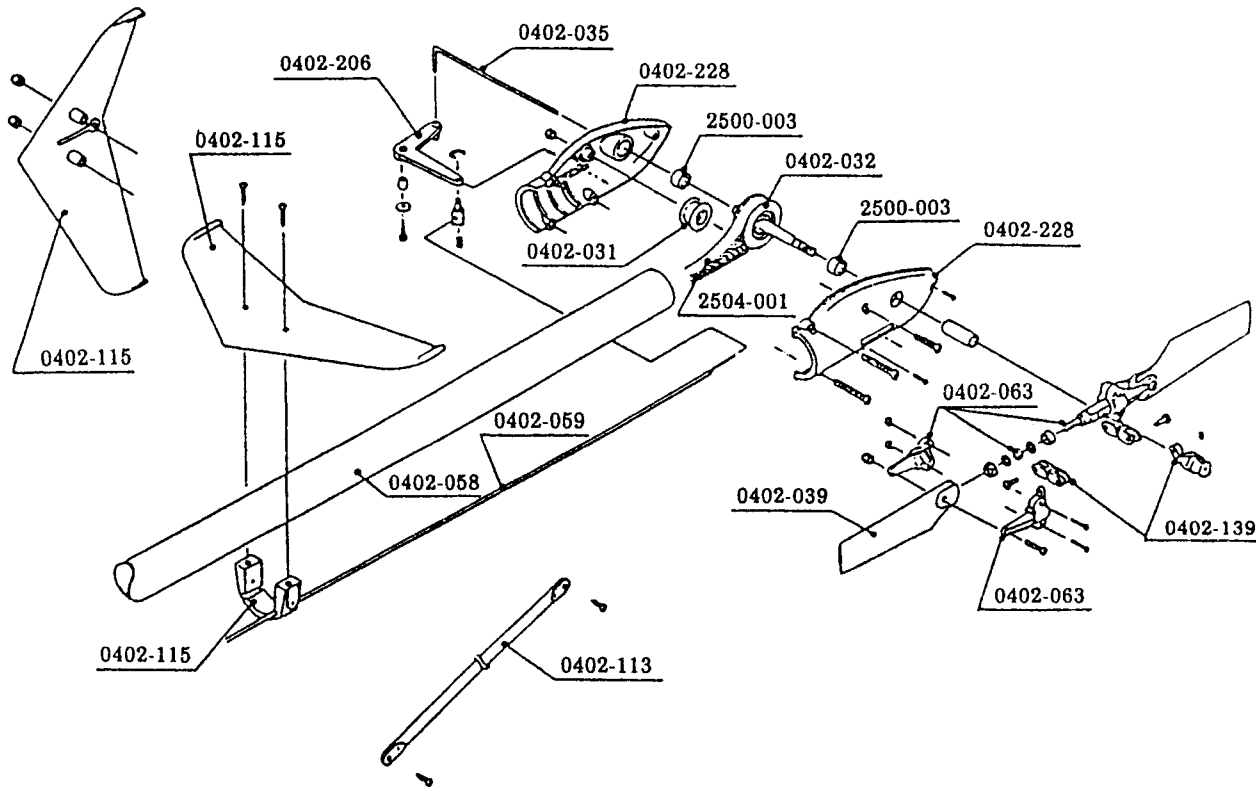
Code No.	Name of parts	Quantity	Japanese retail price (¥)	Remarks	30 Lama	NS Shuttle	Shuttle XX	Shuttle Z	Shuttle ZX
0402-014	Mast lock $\phi 8$	1	300			○	○	○	○
0402-016	Auto-rotation clutch set	1 set	3,000	With bearing, bushing, drive shaft and stop ring		○	○	○	○
0402-017	Clutch set	1 set	800	With clutch shoe, clutch spring and screw		○	○	○	
0402-126	SE clutch set	1 set	3,800	With pulley, clutch shoe and lining		○	○	○	○
0402-127	SE clutch shoe	1	2,200	Use with 0402-128		△	△	△	○
0402-128	SE starter pulley	1	1,800	Use with 0402-127		△	△	△	○
0402-018	1st shaft spar gear with bell	1	1,500			○	○	○	○
0402-230	SE clutch bell	1	3,800	Use with 0402-126		○	○	○	○
0402-020	Starter pulley	1	700	With clutch housing and screw		○	○	○	○
0402-021	Cooling fan	1	700			○	○	○	○
0402-023	28-32 engine mount	1	1,400	With FW and screw		○	○	○	○
0402-030	Timing pulley 8T	1	400	With flange, FW and screw		○	○	○	○
0402-044	Main gear	1	700			○	○	○	○
0402-243	SE Main gear	1	6,800	All shuttle		○	○	○	○
0402-045	Cooling cover	1	700			○	○	○	○
2504-022	Starting belt L = 400	1	600			○	○	○	○
0402-050	Muffler set	1	2,000	With screw		○	○	○	○
0402-248	SE muffler	1	4,800	All shuttle		○	○	○	○
0402-112	NS main mast	2	1,000			○	○		
0402-118	NS main frame set (R) (L)	1 for each	2,000	With screw		○	○	○	○
0402-245	SE main frame	1 for each	12,800	With screw use with 0402-246		○	○	○	○
0402-053	Servo mount set	1 set	2,000	With screw		○	○	○	○
0402-246	SE Servo mount assembly	1	6,000	With screw use with 0402-245		○	○	○	○
2500-027	Bearing $\phi 6 \times \phi 17 \times 6$ ZZ	2	1,200	Used in 1st shaft		○	○	○	○
2500-080	Bearing $\phi 8 \times \phi 19 \times 6$ ZZ	2	1,200	Used in main mast		○	○	○	○
2500-061	Bearing $\phi 4 \times \phi 9 \times 4$ ZZ	2	1,200	Used in clutch		○	○	○	○
0400-004	Metal made clutch bell lining	2	200	Used in Shuttle SE clutch		△	△	△	○
0402-262	Cabin lock	1	300			○	○	○	○

## Front frame



Code No.	Name of parts	Quantity	Japanese retail price (¥)	Remarks	Old Shuttle	NS Shuttle	Shuttle XX	Shuttle Z	Shuttle ZX
0402-025	Double link set	5	600	A=30×2, B=53×2, C=60×1		○	○	○	○
0402-026	Elevator lever set	1 set	600	Shaft, lever, A-type rod and needle pin		○	○	○	○
0402-047	Fuel tank set	1 set	900	230CC		○	○	○	○
0402-053	Servo mount set	1 set	2,000	A, B, front frame and gyro mount		○	○	○	○
0402-106	NS collective pitch lever (L) set	1 set	900	With lever, lever (L), shaft, FW and screw		○	○	○	○
0402-107	NS aileron lever set	2	600	With L-type crank, ø5 ball, bushing, FW and screw		○	○	○	○
0402-239	SE L-type lever	1	1,800	All shuttle		○	○	○	○
0402-110	NS linkage set (B)	1 set	900	Pitch up portion		○	○	○	○
0402-117	NS instruction manual	1	600			○	○		
0402-119	NS transcribing mark	1	800	Yellow and green		○	○		
0402-210	ZS cabin set (White)	1	3,000			○	○	○	○
0402-116	NS landing gear assembly	1	1,800	Resin (white)		○	○	○	○
0402-220	GP Landing gear assembly	1 set	2,000	Resin (black)		○	○	○	○
0402-237	SE Landing gear assembly	1 set	3,500	Aluminum made (black) Wide type		○	○	○	○
2500-057	Bearing ø3×ø6×2.5F ZZ	2	1,200	Aileron lever portion		○	○	○	○
2506-019	FW 3×4.5×0.5T	10	200	Aileron lever portion		○	○	○	○
2500-054	Bearing ø6×ø10×3	2	1,200	Collective pitch lever shaft portion		○	○	○	○
2506-012	FW 6×8×0.5T	5	500	Collective pitch lever shaft portion		○	○	○	○
2513-001	Wrench set	1 set	400	L-type wrench×2, Plug wrench×1		○	○	○	○

Tail



Code No.	Name of parts	Quantity	Japanese retail price (¥)	Remarks	30 Lama	NS Shuttle	Shuttle XX	Shuttle Z	Vertol
0402-031	Guide pulley (With bearing)	1	800			○	○	○	○
0402-235	SE guide pulley	1	1,000			○	○	○	○
0402-032	Tail drive shaft (With pulley)	1	800	With tail housing collar		○	○		
0402-206	ZS tail pitch lever set	1	400			○	○	○	○
0402-240	SE tail pitch lever	1	1,800			○	○	○	○
0402-035	Tail pitch rod	2	100			○	○		
0402-039	Tail blade	2	500			○	○	○	○
0402-048	Tail unit case (R) (L)	1 for each	700	With screw		○	○	○	○
0402-228	ZS tail unit case (R) (L)	1 for each	800	Open type		○	○	○	○
0402-058	Tail boom	1	900	For standard length tail		○	○		
0402-074	Tail boom	1	1,000	For long tail		△	△		
0402-059	Rudder control shaft set	1	400	With pipe		○	○	○	○
0402-063	Tail housing assembly	1	2,500	With bearing and blade holder		○	○		
0403-024	Tail housing	1	600			○	○		
0403-025	Tail blade holder (A) (B)	2 for each	300			○	○	○	○
0402-108	NS tail pitch plate set	Discontinued		Use with 0402-139					
0402-139	SE tail pitch plate	1	1,600	With bearing		○	○		
0402-113	NS tail boom brace	2	800			○	○	○	○
0402-238	SE tail boom brace	2	1,000			○	○	○	○
0402-115	NS stabilizer set (White)	1 set	900	With bracket and screw		○	○	○	○
2500-003	Bearing $\phi 5 \times \phi 11 \times 5$ ZZ	2	1,200	Support tail shaft		○	○	○	○
2500-062	Bearing $\phi 4 \times \phi 9 \times 4$ H thrust	2	1,200	Support tail blade holder		○	○	○	○
2504-001	Timing belt 512XL020	1	1,700	For tail drive, standard length tail		○	○		
2504-015	Timing belt 564XL020	1	1,700	For tail drive, long tail				○	○