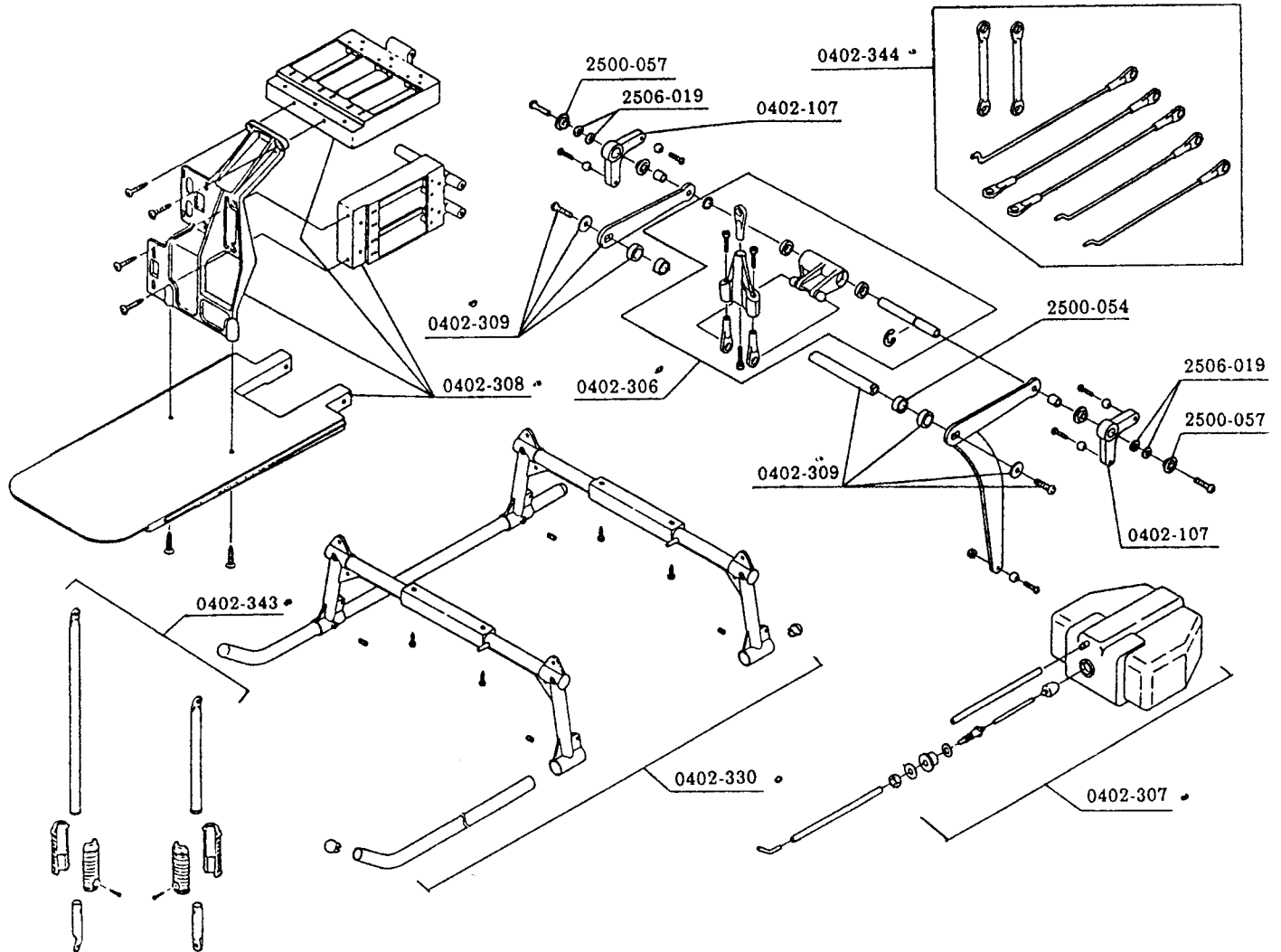
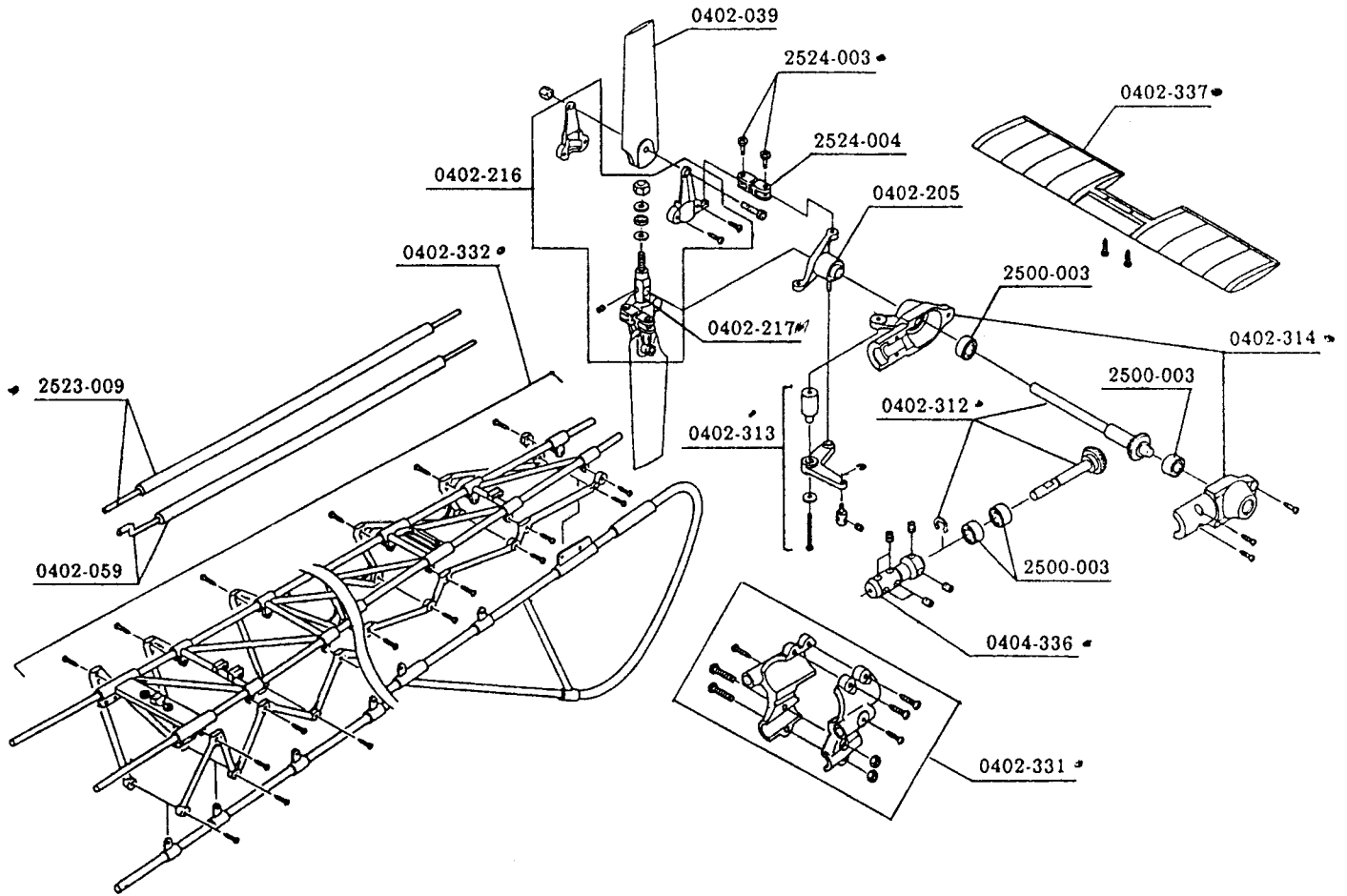


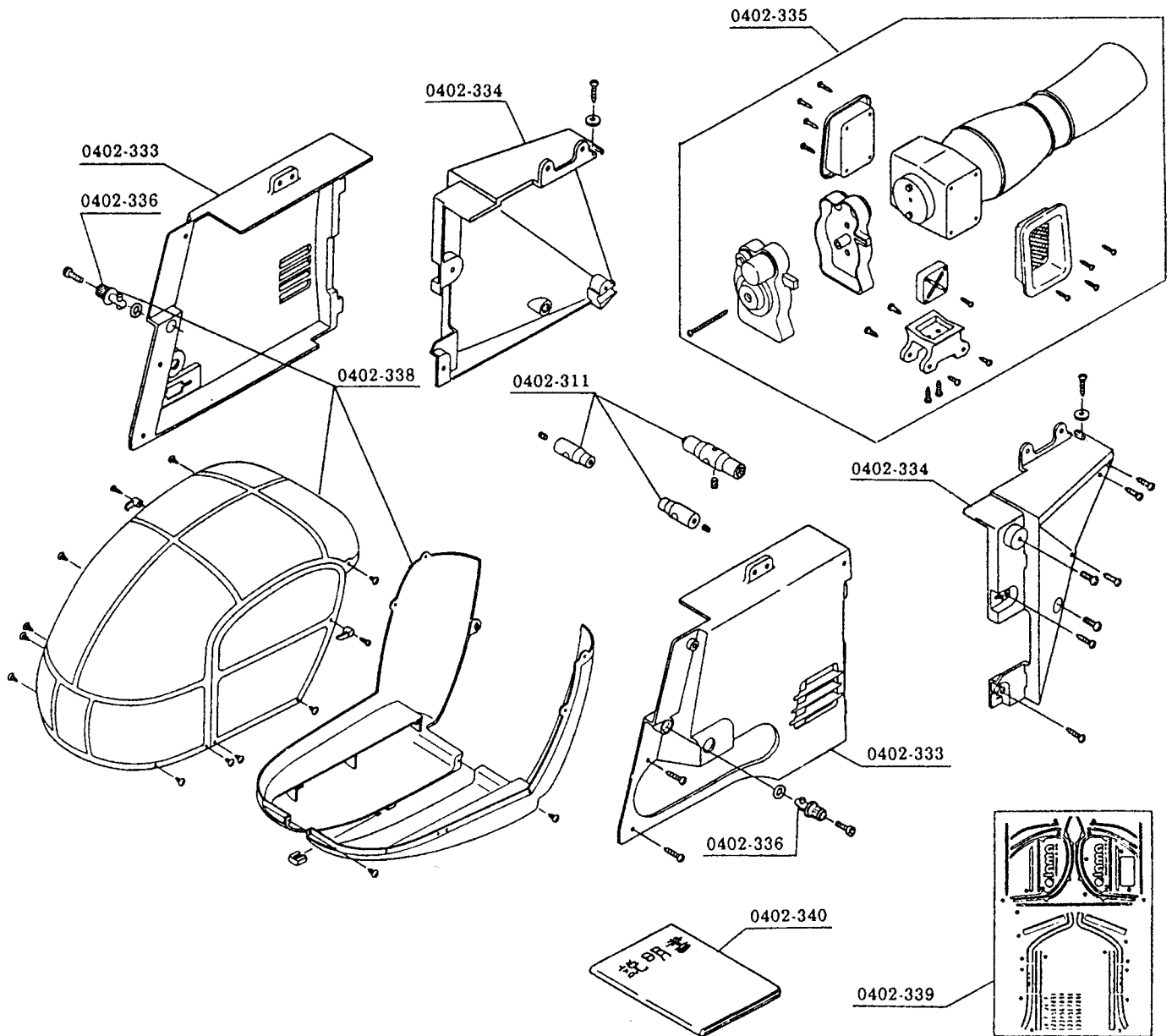
Code No.	Name of parts	Quantity	Japanese retail price (¥)	Remarks	30 Lama	NS shuttle	Shuttle XX	Shuttle Z	Shuttle ZX
0400-004	Metal made clutch bell lining	2	200		○			○	○
0402-016	J1-16 auto-rotation clutch set	1 set	3,000		○	○	○	○	○
0402-021	J1-21 cooling fan	1	700		○	○	○	○	○
0402-023	J1-23 28-32 engine mount	1	1,400		○	○	○	○	○
0402-050	J1-50 muffler set	1 set	2,000		○	○	○	○	○
0402-112	NS main mast	2	1,000		○	○	○		
0402-128	SE starter pulley	1	1,800		○	△	△	△	○
0402-227	Cooling fan with pulley (For ENYA)	1	2,000		○	○	○	○	○
0402-254	SE starter coupling	1	500		○				
0402-257	SE shaft starter clutch shoe assembly	1	3,200		○				
0402-301	S-30 clutch bell	1	2,800		○				
0402-302	S-30 engine plate	1	2,800		○				
0402-303	S-30 shaft starter set	1 set	6,800		○				
0402-304	S-30 main frame set	1 set	3,300		○				
0402-305	S-30 bevel pinion gear set	1	600		○				
0402-318	S-30 main gear	1	700		○				
0402-320	S-30 starter shaft	1	800		○				
2500-003	Bearing $\phi 5 \times \phi 11 \times 5ZZ$	2	1,200		○				
2500-027	Bearing $\phi 6 \times \phi 17 \times 6ZZ$	2	1,200		○				
2500-048	Bearing $\phi 12 \times \phi 16L$ one-way	2	1,500		○				
2500-061	Bearing $\phi 4 \times \phi 9 \times 4 ZZ$	2	1,200		○				
2500-080	Bearing $\phi 8 \times \phi 19 \times 6 ZZ$	2	1,200		○				
2500-081	Bearing $\phi 6 \times 12L$ one-way	1	1,200		○				



Code No.	Name of parts	Quantity	Japanese retail price (¥)	Remarks	30 Lama	NS shuttle	Shuttle XX	Shuttle Z	Shuttle ZX
0402-107	NS aileron lever set	1 set	600		○	○	○	○	○
0402-306	S-30 elevator lever set	1 set	1,000		○				
0402-307	S-30 300CC fuel tank	1 set	1,000		○				
0402-308	S-30 servo mount set	1 set	2,000		○				
0402-309	S-30 collective pitch lever set	1 set	900		○				
0402-330	LM landing gear assembly	1 set	2,200		○				
0402-343	LM landing brace set	1 set			○				
2500-054	Bearing $\phi 6 \times \phi 10 \times 3$ ZZ	2	1,200		○				
2500-057	Bearing $\phi 3 \times \phi 6 \times 2.5$ F ZZ	2	1,200		○				
2506-019	Flat washer $\phi 3 \times 4.5 \times 0.5$ T	10	200		○				



Code No.	Name of parts	Quantity	Japanese retail price (¥)	Remarks	30 Lama	NS shuttle	Shuttle XX	Shuttle Z	Shuttle ZX
0402-039	J1-39 tail blade	2	500		○	○	○	○	○
0402-205	ZS tail pitch plate set	1 set	1,600		○			○	○
0402-216	Tail housing assembly	1 set	2,500		○			○	○
0402-217	ZS tail housing	1	600		○			○	○
0402-312	S-30 tail gear set	1 set	1,300		○				
0402-313	S-30 tail pitch lever set	1 set	500		○				
0402-314	S-30 tail gear box set	1 set	500		○				
0402-331	LM tail holder set	1 set	500		○				
0402-332	LM tail boom truss assembly	1 set	3,000		○				
0402-337	LM horizontal stabilizer	1	800		○				
0404-336	Tail joint 2φ	1	700	Common with SST-E	○				
2500-003	Bearing φ5×φ11×5ZZ	2	1,200		○				
2523-009	Tail drive shaft set	1			○				
2524-003	Rod end pin 4×5	10	300		○	○	○	○	○
2524-004	Double link pin type	2	300		○	○	○	○	○
0402-315	S-30 rudder control shaft set	1 set	400		○	○	○	○	○



Code No.	Name of parts	Quantity	Japanese retail price (¥)	Remarks	30 Lama	NS shuttle	Shuttle XX	Shuttle Z	Shuttle ZX
0402-311	S-30 frame cross member	1 set	1,200		○				
0402-333	LM side cover set	1 set	800		○				
0402-334	LM rear frame set	1 set	800		○				
0402-335	LM dummy engine set	1 set	900		○				
0402-336	LM cam lock set	1 set	300		○				
0402-338	LM cabin set	1 set	7,500		○				
0402-339	LM decal	1	1,800		○				
0402-340	LM instruction manual	1	1,000		○				
0408-036	Starter set	1 set	1,000	Common with MH-10	○				