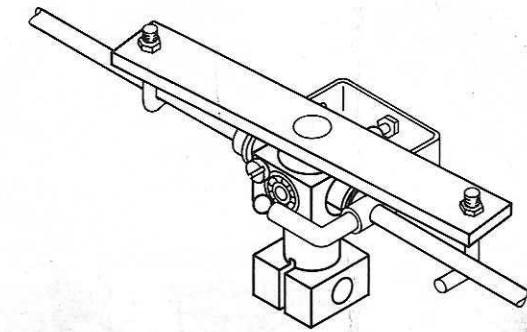
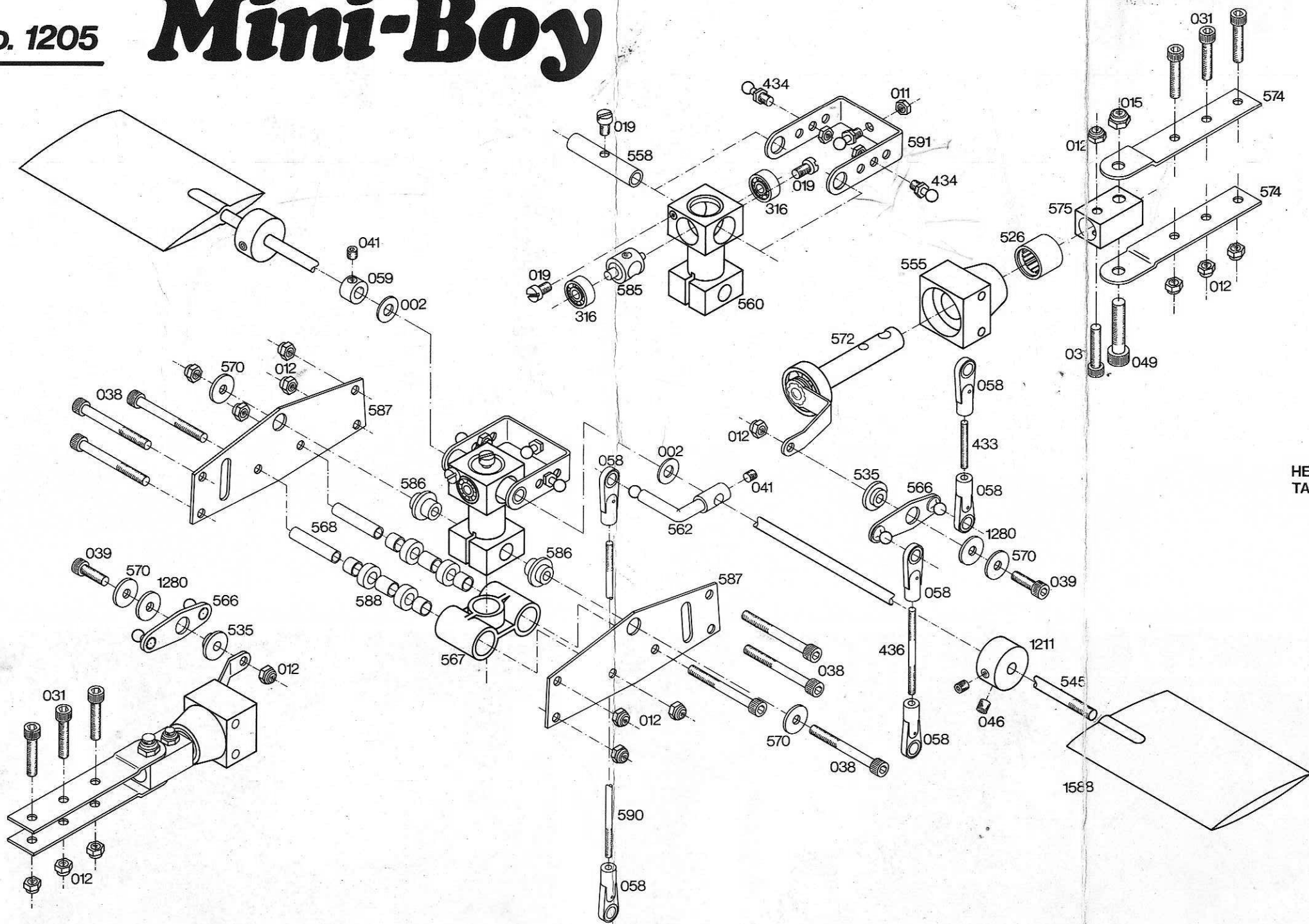


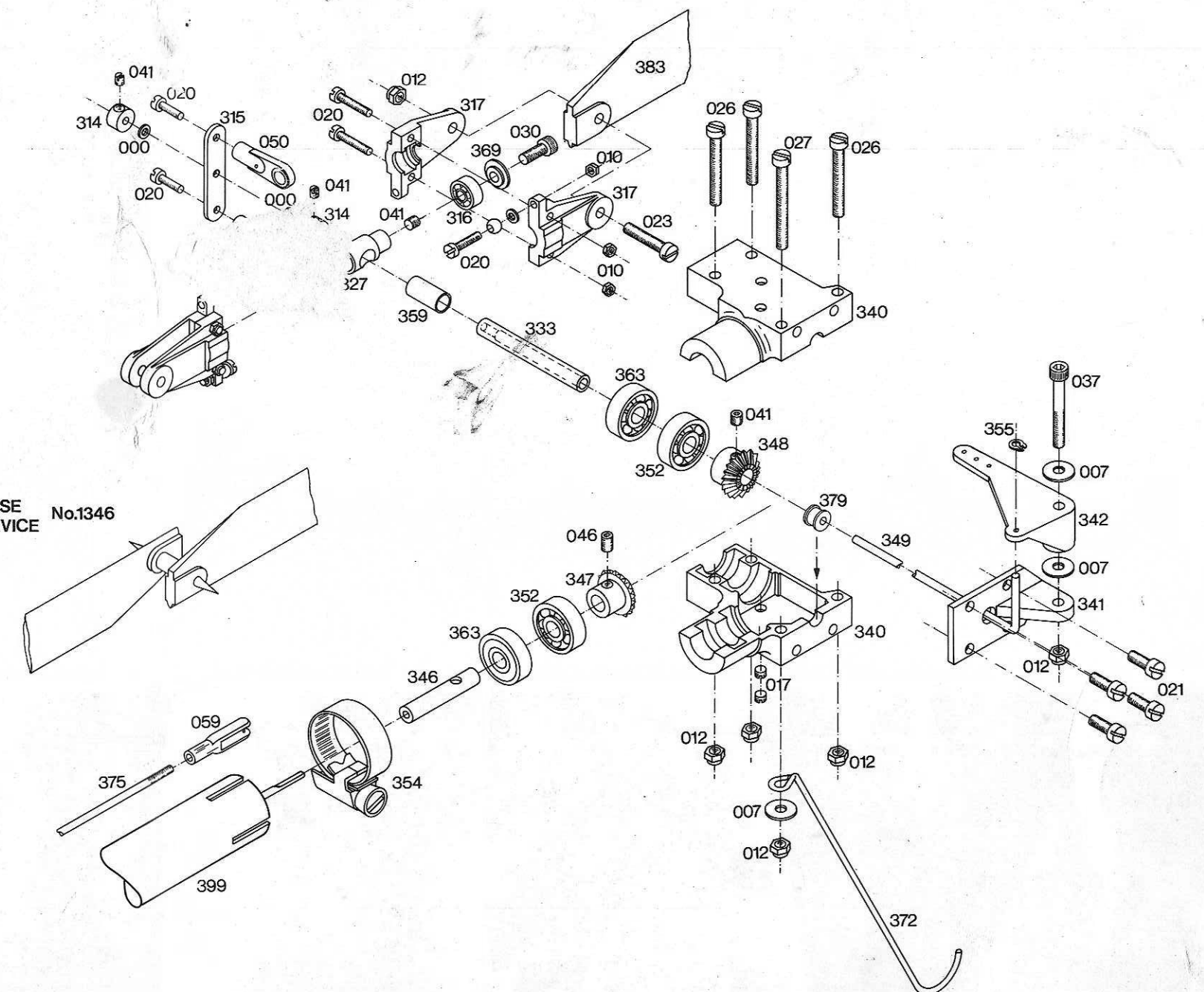
# Mini-Boy



HAUPTROTOR-EINSTELLHILFE  
FLY-BAR-LOCK No.1345



HECKROTOR BALANCE-ACHSE  
TAIL-ROTOR BALANCE-DEVICE No.1346



Copyright by Schlüter Modellbau 6052 Mühlheim/Main West Germany

Robbe Modellsport GmbH 6424 Grebenhain

