



Parts List

Knight 600E

Version 2.0/2009

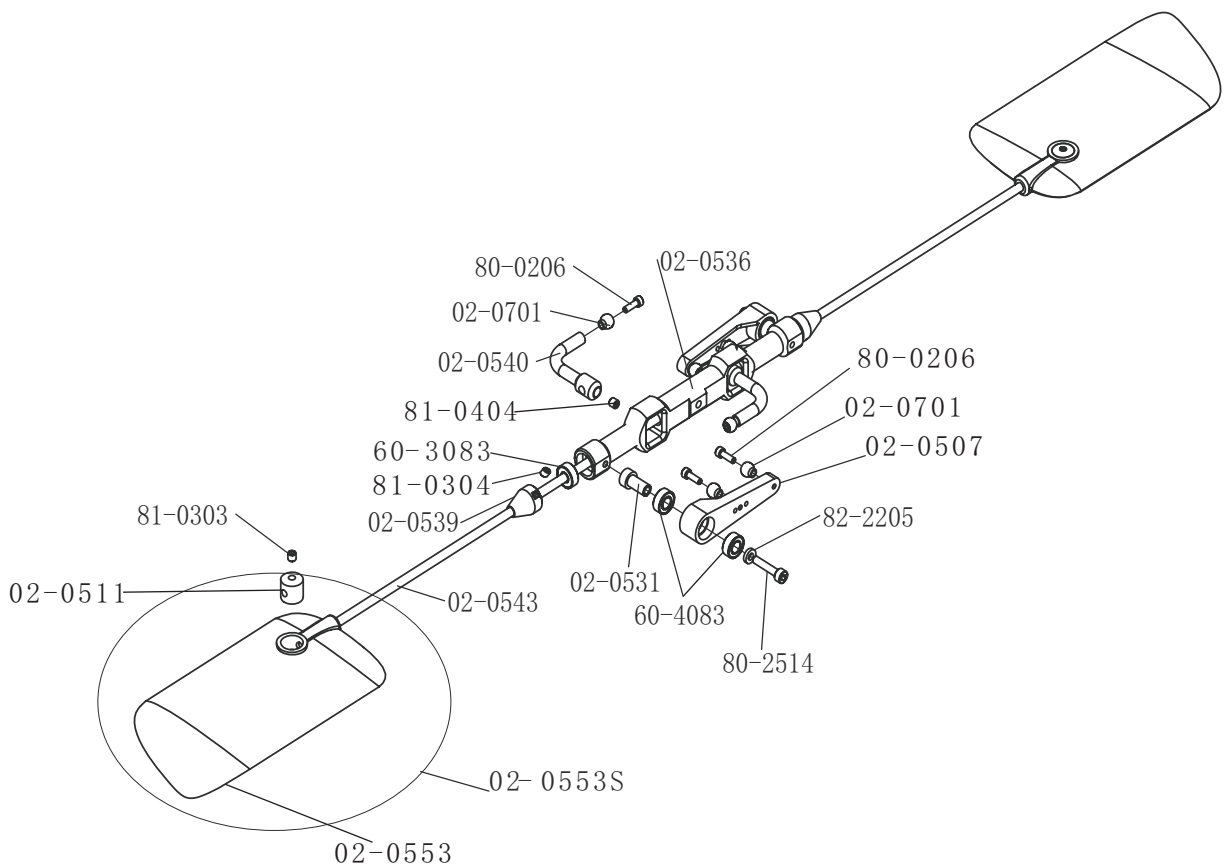
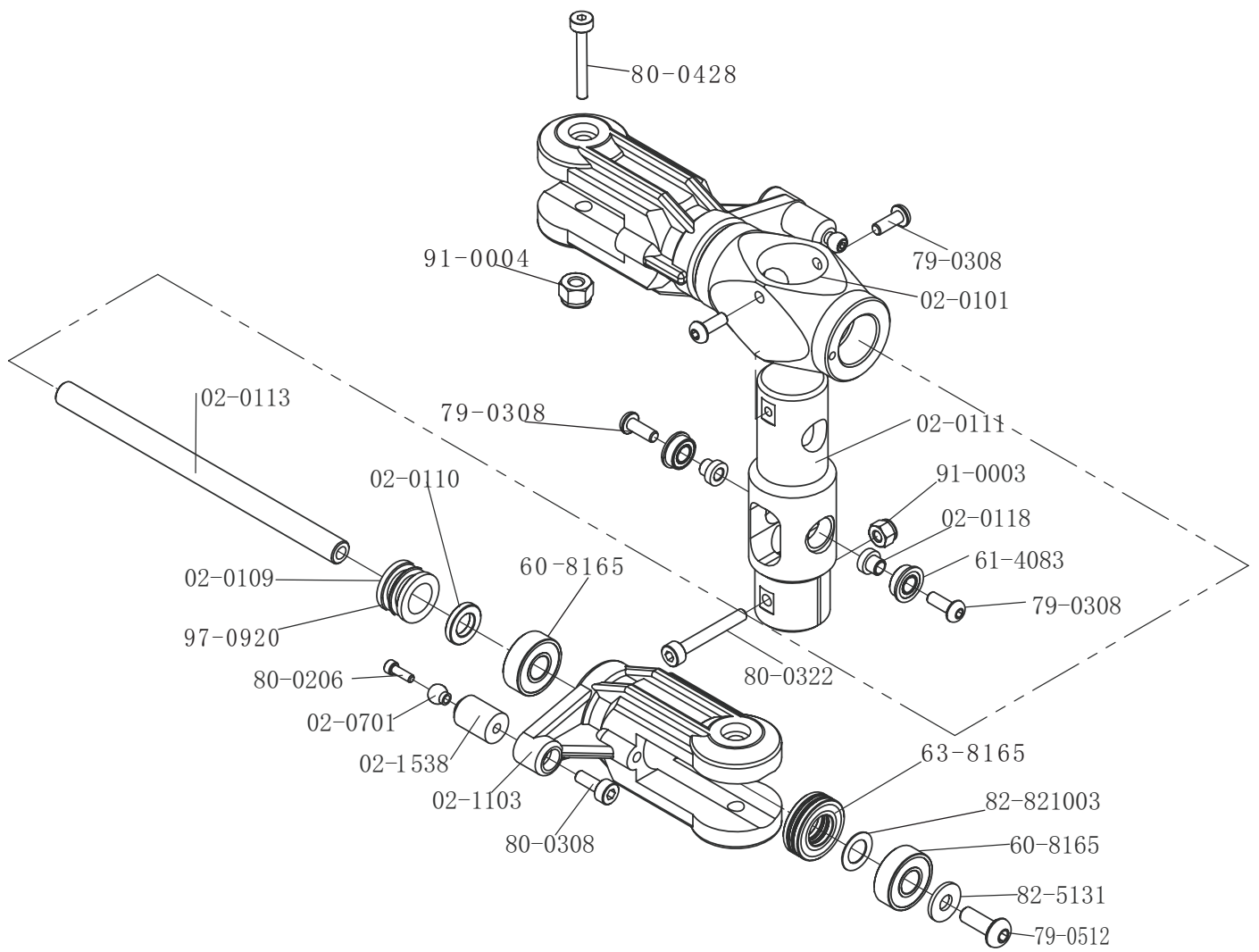


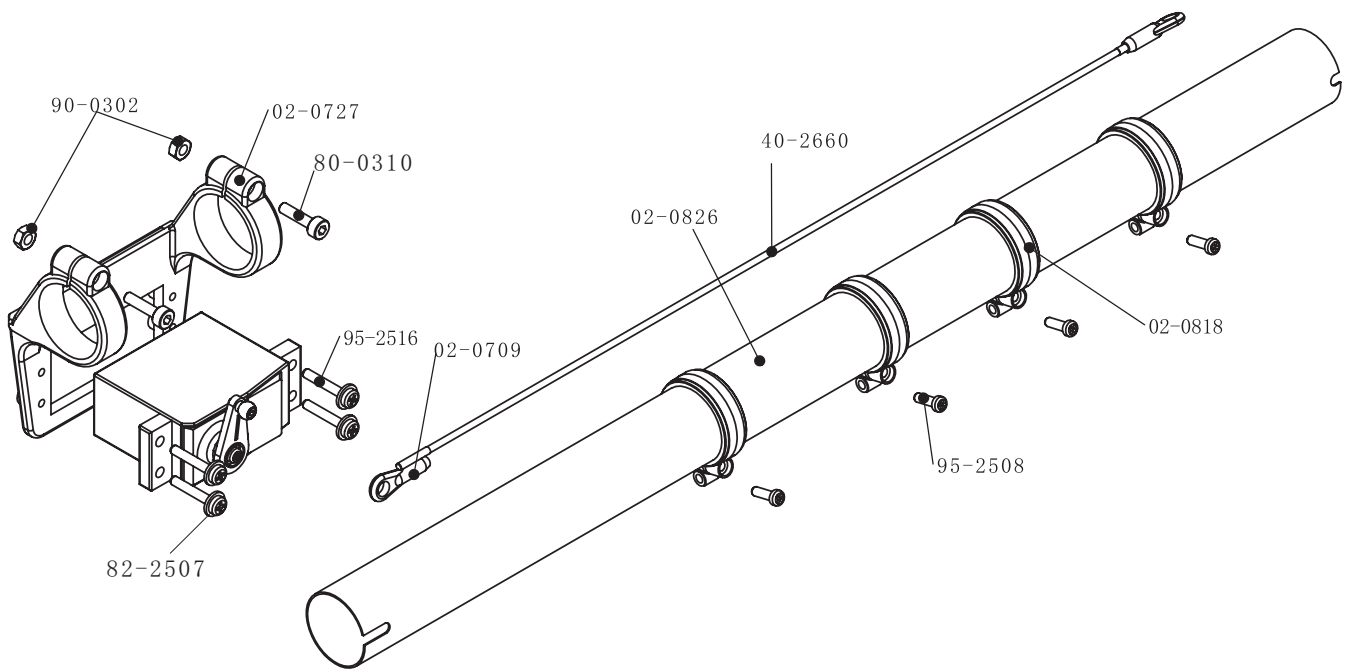
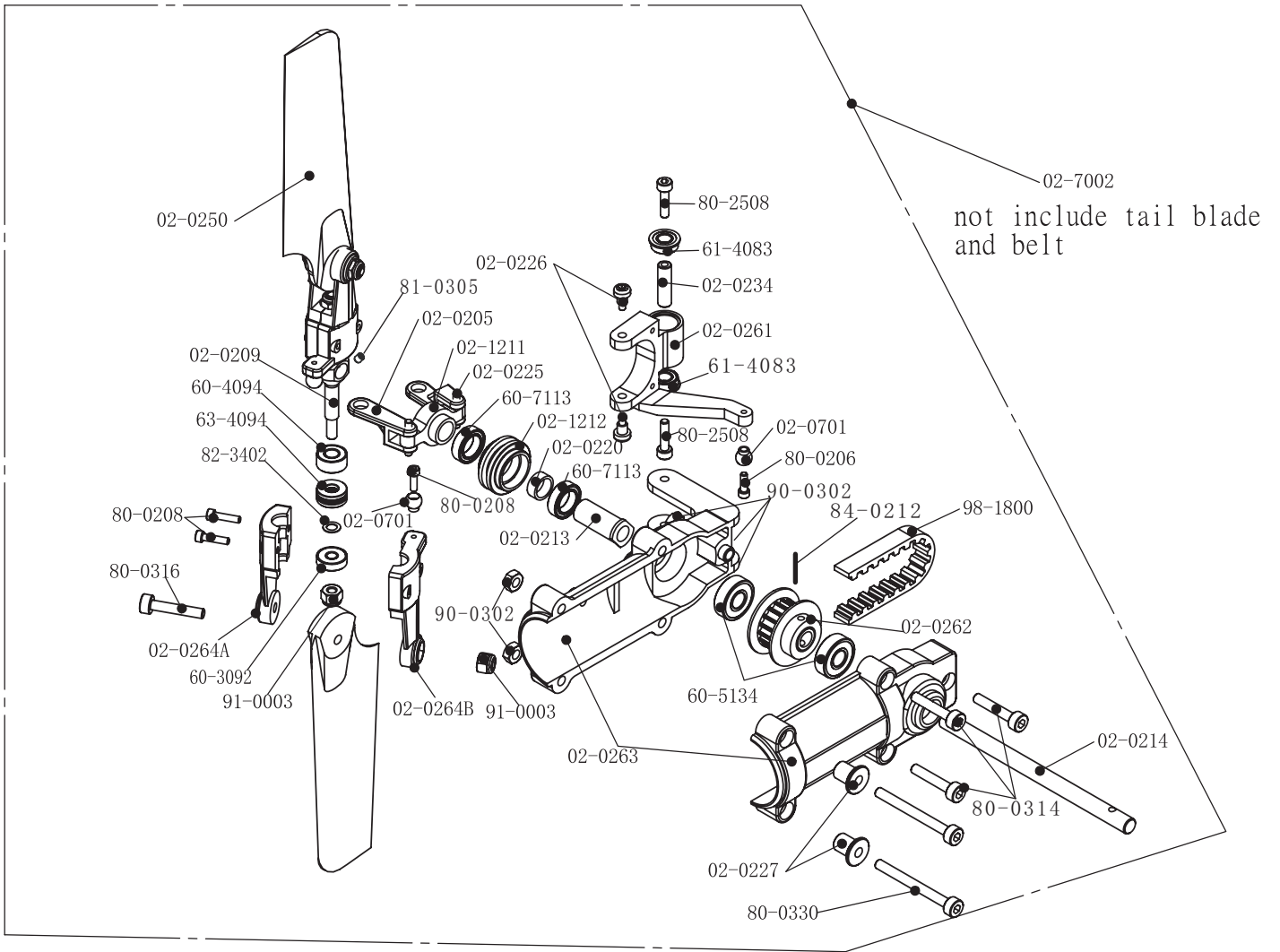
How to order your parts!

1. Check part number on the drawing
2. Use the part number to find the ORDER number on the list
3. Only use ORDER number for your parts order

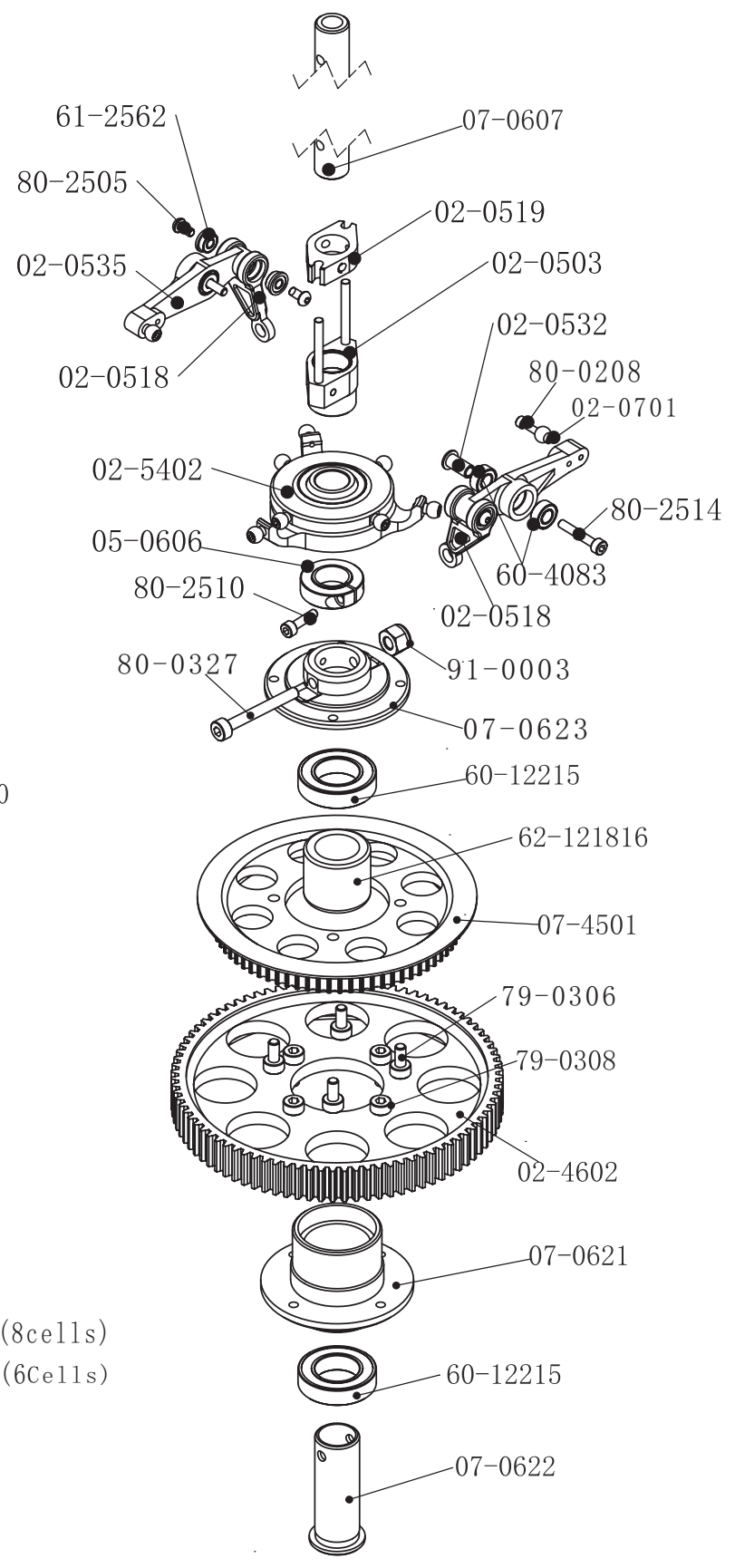
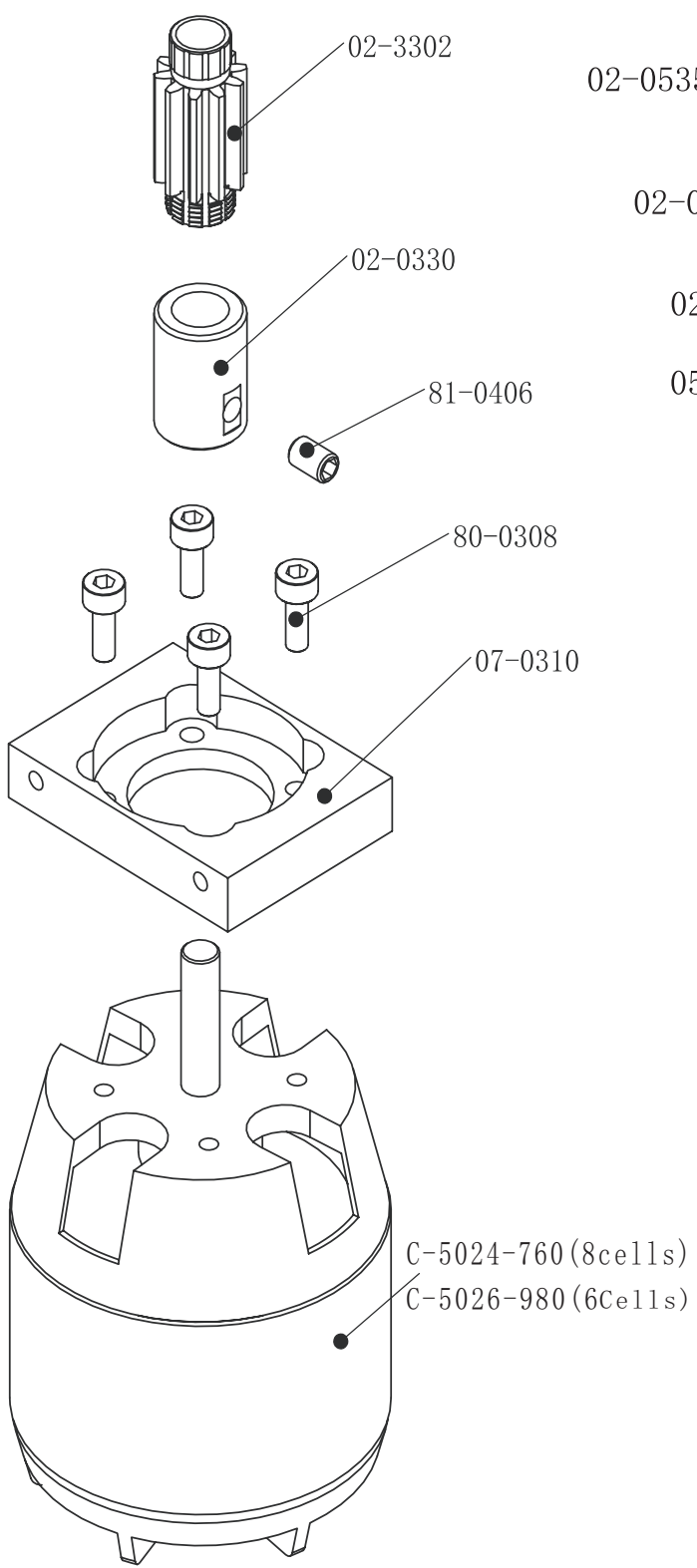
Copyright Compass Model 2008

As we continue to improve our products; this parts list may not reflect all recent product amendments.
For more information, please refer to; www.compassmodel.com

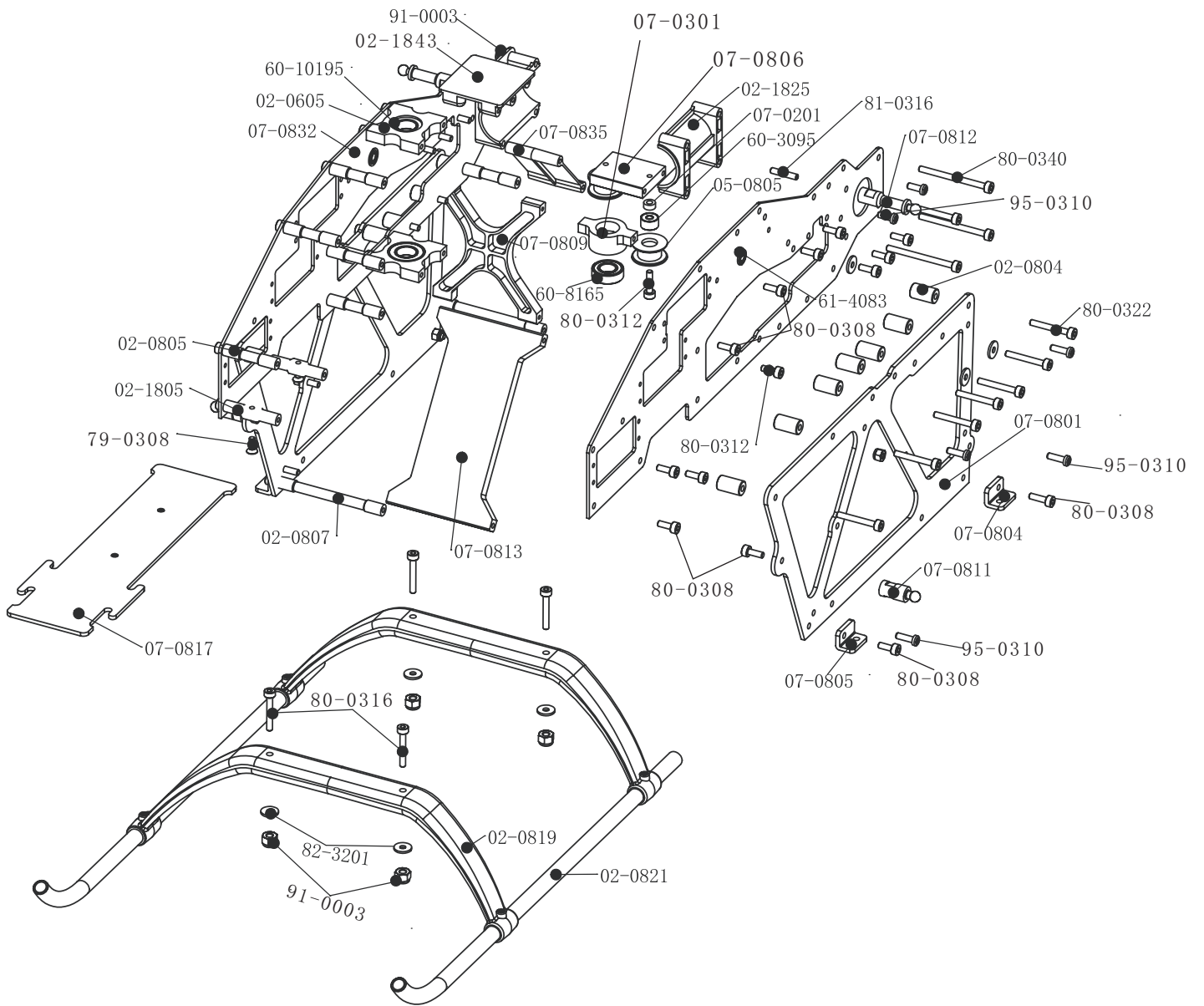




Part No.	Part Description	Order No.	内容	Order Description	Qty.
02-0205	Tail Ball link	02-0205S	尾桨接头组成	Tail blade links	2 pcs/bag
02-0209	Tail rotor hub	02-0209	尾桨芯	Tail rotor hub	1 pcs/bag
02-0213	Tail slide ring sleeve	02-0213	滑套	Tail slide ring sleeve	1 pcs/bag
02-0214	Tail shaft	02-0214	尾轴	Tail shaft	2 pcs/bag
02-0220	Tail pitch plate Collar			Provided w, 02-7002	
02-0225	Grooved parallel pin			Provided w, 02-0205S	
02-0226	Guide pin bolt			Provided w, 02-0261Z	
02-0227	Fin Bushing	02-0227	垂直尾翼座环 (黑)	Fin Bushing	2 pcs/bag
02-0234	Tail pitch lever collar			provided w, 02-0261Z	
02-0250	Tail blade	02-0250	尾桨(黑)	Tail blade	1 set/bag
02-0261	Tail pitch lever	02-0261Z	尾螺距杆组成	Tail pitch lever set w,BB,collar & bolts	1 set/bag
02-0262	Pulley wheel	02-0262S	皮带轮(长) 组成	Tail rotor pulley with spring pin	1 pcs/bag
02-0263	Tail case plastic	02-0263Z	尾齿轮箱组成	Tail case plastic w, BB & bolts	1 set/bag
02-0264AB	Tail blade holder	02-0264AB	尾桨夹组成	Tail blade holder	2 pcs/bag
02-0701	Stainless link balls	02-0701	球頭	Stainless link balls	10 pcs/bag
02-0709	Ball links	02-0709	球頭接頭	Ball links	10 pcs/bag
02-0727	Rudder servo mount	02-0727S	尾舵机架	Tail boom servo mount set plastic	1set/bag
02-0818	Tail control rod guide clamp	02-0818S	尾控制桿保持架	Tail control rod guide clamp	4pcs/bag
02-0826	Tail boom 705mm	02-0826	尾管	Tail boom 705mm	1 pcs/bag
02-1211	Tail pitch plate w, BB	02-1211	尾桨螺距杆(塑料机)	Tail pitch plate w, BB	1 pcs/bag
02-1212	Tail pitch slider	02-1212Z	尾桨螺距盘组成	Tail pitch slider assembly w, BB	1 pcs/bag
40-2660	Tail control rod 2X650	40-2660	連桿组成	Tail control rod 2X650	1 pcs/bag
60-3092	Ball bearing 3x9x2.5	60-3092	軸承	Ball bearing 3x9x2.5	4 pcs/bag
60-4094	Ball bearing 4x9x4	60-4094	軸承	Ball bearing 4x9x4	5 pcs/bag
60-5134	Ball bearing 5x13x4	60-5134	軸承	Ball bearing 5x13x4	2 pcs/bag
60-7113	Ball bearing 7x11x3	60-7113	軸承	Ball bearing 7x11x3	2 pcs/bag
61-4083	Flanged bearing 4x8x3	61-4083	有边轴承	Flanged bearing 4x8x3	4 pcs/bag
63-4094	Thrust Bearing 4x9x4	63-4094	压力轴承	Thrust Bearing 4x9x4	2 pcs/bag
80-0206	Cap Head Bolt M2x6	80-0206	特制螺丝M2*6	Cap Head Bolt M2x6	10 pcs/bag
80-0208	Cap Head Bolt M2x8	80-0208	普通螺丝M2*8	Cap Head Bolt M2x8	10 pcs/bag
80-0310	Cap head Bolt M3x10	80-0310	杯头螺丝M3*10	Cap head Bolt M3x10	10 pcs/bag
80-0314	Cap head Bolt M3x14	80-0314	杯头螺丝M3*14	Cap head Bolt M3x14	10 pcs/bag
80-0316	Cap Head Bolt M3x16	80-0316	杯头螺丝M3*16	Cap Head Bolt M3x16	10 pcs/bag
80-0330	Cap Head Bolt M3x30	80-0330	杯头螺丝M3*30	Cap Head Bolt M3x30	10 pcs/bag
80-2508	Cap Head Bolt M2.5x8	80-2508	杯头螺丝M2.5*8	Cap Head Bolt M2.5x8	10 pcs/bag
81-0305	Set Screw	81-0305	机米3*5	Set Screw	10 pcs/bag
82-2578	washer 2.7x7x0.8	82-2578	垫圈2.7*7*0.8	washer 2.7x7x0.8	10 pcs/bag
82-3402	Washer 3.3x5.2x0.3	82-3402	垫圈3.3*4.1*0.2	Washer 3.3x5.2x0.3	10 pcs/bag
84-0212	Spring Pin 2x12			Provided w, 02-0262S	
90-0302	Hexagonal Nut 3x2.5	90-0302	螺母套	Hexagonal Nut 3x2.5	10 pcs/bag
91-0003	Nylon nut M3	91-0003	螺母套2	Nylon nut M3	10 pcs/bag
95-2508	Self Tapping Bolt 2.5x8	95-2508	塑料螺丝2.5*8	Self Tapping Bolt 2.5x8	10 pcs/bag
95-2516	Self Tapping Bolt 2.5x16	95-2516	塑料螺丝2.5*16	Self Tapping Bolt 2.5x16	10 pcs/bag
98-1800	Tail belt 3M1800 Bando	98-1800	尾驱动带	Tail belt 3M1800 Bando	1 pcs/bag



Part No.	Part Description	Order No.	内容	Order Description	Remark
02-0330	Pinion adpter	02-0330S	铁齿接头	Pinion adapter	1pcs/bag
02-0503	Washout base	02-0503S	滑块组	Washout base	1pcs/bag
02-0518	Washout links	02-0518	爪形臂座	Washout links	2 pcs/bag
02-0519	Phasing control ring	02-0519S	爪块 组成	Phasing control ring	1pcs/bag
02-0532	Bushings	02-0531S	黄铜套	Bushing set (includes 3 sizes)	6 pcs/bag
02-0535	Washout control arm	02-0535	水平盘控制臂	Wash out control arm	2 pcs/bag
02-0701	Stainless link balls	02-0701	球頭	Stainless link balls	10 pcs/bag
02-3302	Drive gear	02-3302	驱动齿轮	Drive gear	1 pcs/bag
02-4602	Main gear molded	02-4602	大齿轮（注塑）	Main gear molded	1 pcs/bag
02-5402	Swash plate	02-5402	水平盘总成	Swash plate	1 set/bag
05-0606	Mast lock	05-0606S	主轴挡块组成	Mast lock w, bolt	1pcs/bag
07-0310	Motor Mount	07-0310S	电机座	Motor mount	1pcs/bag
07-0607	Main shaft (600E)	07-0607	主轴（600E）	Main shaft (600E)	1pcs/bag
07-0621	Autorotation hub	07-0621E	自旋轴壳(600E)	Autorotation hub w, one way bearing(600E)	1pcs/bag
07-0622	Autorotation sleeve	07-0622	自旋轴	Autorotation sleeve	1 pcs/bag
07-0623	Main pulley hub	07-0623	皮带轮座	Main pulley hub	1 pcs/bag
07-4501	Main pulley	07-4501	主皮带轮	Main Pulley	1 pcs/bag
60-12215	Ball bearing 12x21x5	60-12215	轴承	Ball bearing 12x21x5	2 pcs/bag
60-4083	Ball bearing 4x8x3	60-4083	轴承	Ball bearing 4x8x3	5 pcs/bag
61-2562	Flanged bearing 2.5x6x2.6	61-2562	有邊軸承	Flanged bearing 2.5x6x2.6	4 pcs/bag
62-121816	One way bearing 12x18x16	62-121816	单向轴承	One way bearing 12x18x16	1 pcs/bag
79-0306	Button head Bolt M3x6	79-0306	球头螺丝M3*6	Button head Bolt M3x6	10 pcs/bag
79-0308	Button head Bolt M3X8	79-0308	球头螺丝M3*8	Button head Bolt M3X8	10 pcs/bag
80-0208	Cap Head Bolt M2x8	80-0208	普通螺丝M2*8	Cap Head Bolt M2x8	10 pcs/bag
80-0308	Cap head bolt	80-0308	杯头螺丝M3*8	Cap head bolt	10 pcs/bag
80-0327	Cap Head Bolt M3x27 shanked	80-0327	杯头螺丝M3*27	Cap Head Bolt M3x27 shanked	2pcs/bag
80-2505	Button head Bolt M2.5X5	80-2505	杯头螺丝M2. 5*5	Button head Bolt M2.5X5	10 pcs/bag
80-2510	Cap head Bolt M2.5x10			provided with 05-0606s	1set/bag
80-2514	Cap head Bolt M2.5×14	80-2514	杯头螺丝M2. 5*14	Cap head Bolt M2.5×14	10 pcs/bag
81-0305	Set Screw	81-0305	机米3*5	Set Screw	10 pcs/bag
81-0406	Set Screw	81-0406	机米4*6	Set Screw	10 pcs/bag
91-0003	Nylon nut M3	91-0003	螺母套2	Nylon nut M3	10 pcs/bag
c-5024-760	Motor for 8s kv760	c-5024-760		Motor for 8s kv760	1pcs/bag
c-5026-980	Motor for 6s kv980	c-5026-980		Motor for 6s kv980	1pcs/bag



Part No.	Part Description	Order No.	内容	Order Description	Remark
02-0605	Bearing block	02-0605Z	轴承座组成	Bearing block w, BB (main shaft)	1set/bag
02-0804	Frame spacer 13.5mm	02-0804	接柱	Frame spacer 13.5mm	4pcs/bag
02-0805	Cross members M3x30	02-0805	接柱	Cross members M3x30	5pcs/bag
02-0807	Cross members M3x60	02-0807	接柱	Cross members M3x60	3pcs/bag
02-0819	Struts	02-0819	滑撬腿	Struts	2 pcs/bag
02-0821	Skids	02-0821	滑撬管	Skids	2 pcs/bag
02-1805	Cross member set M3x30	02-1805	接柱	Cross member set M3x30	2pcs/bag
02-1825	Tail boom mount	02-1825s	尾管夹组成	Tail boom mount w, bolts	1set/bag
02-1843	Gyro tray plastic	02-1843	陀螺架(塑料)	Gyro tray plastic	1pcs/bag
05-0805	Guide pulley set	05-0805Z	滑轮组	Guide pulley set w, BB	2pcs/bag
07-0201	Guide pulley collar	05-0805Z	滑轮组	Guide pulley set w, BB	2pcs/bag
07-0301	Pinion Bearing Block	07-0301Z	驱动齿轮轴承座	Pinion bearing block	1pcs/bag
07-0801	Lower side frame (600E)	07-0801	下架(600E)	Lower side frame (600E)	2pcs/bag
07-0804	Landing Gear mount F(600E)	07-0805S	副脚架(600E)	Landing gear mount (600E)	4pcs/bag
07-0805	Landing Gear mount B(600e)	07-0805S	副脚架(600E)	Landing gear mount (600E)	4pcs/bag
07-0806	Guide pulley mount	07-0806	压带轮座	Guide pulley mount	1pcs/bag
07-0809	X member	07-0809	X形加强筋	X member	1pcs/bag
07-0811	Canopy standoff (600E)F	07-0811S	头罩接柱(600E)	Canopy standoff (600E)	4pcs/bag
07-0812	Canopy standoff (600E)B	07-0811S	头罩接柱(600E)	Canopy standoff (600E)	4pcs/bag
07-0813	Square member (600E)	07-0813	加强筋(600E)	Square member (600E)	1pcs/bag
07-0817	Battery tray (600E)	07-0817	电池架(600E)	Battery tray (600E)	1pcs/bag
07-0832	Main frame upper set (600E)	07-0832Z	上架(600E)	Main frame upper set (600E)	2pcs/bag
07-0835	Frame spacer rear (600E)	07-0835	后加强筋(600E)	Frame spacer rear (600E)	1pcs/bag
60-10195	Ball bearing 10x19x5	60-10195	轴承	Ball bearing 10x19x5	4pcs/bag
60-3095	Ball bearing 3x9x5	60-3095	轴承	Ball bearing 3x9x5	2pcs/bag
60-8165	Ball bearing 8x16x5	60-8165	轴承	Ball bearing 8x16x5	2pcs/bag
61-4083	Flanged bearing 4x8x3	61-4083	有边轴承	Flanged bearing 4x8x3	5pcs/bag
79-0308	Button Head BoltM3x8	79-0308	球头螺丝M3*8	Button Head BoltM3x8	10pcs/bag
80-0308	Cap head Bolt M3x8	80-0308	杯头螺丝M3*8	Cap head Bolt M3x8	10pcs/bag
80-0312	Cap head Bolt M3x12	80-0312	杯头螺丝M3*12	Cap head Bolt M3x12	10pcs/bag
80-0322	Cap head Bolt M3x22	80-0322	杯头螺丝M3*22	Cap head Bolt M3x22	10pcs/bag
80-0340	Cap head Bolt M3x40	80-0340	杯头螺丝M3*40	Cap head Bolt M3x40	10pcs/bag
81-0316	Set screw3x16	81-0316	机米3*16	Set screw3x16	10pcs/bag
82-3201	Washer	82-3201	垫圈3.2*10*1.2	Washer	10pcs/bag
90-0302	Hexagonal nut3x2.5	90-0302	螺母套	Hexagonal nut3x2.5	10pcs/bag
91-0003	Nylong nutM3	91-0003	螺母套2	Nylong nutM3	10pcs/bag
95-0310	Self tapping BoltM3x10	95-0310	塑料螺丝M3*10	Self tapping BoltM3x10	10pcs/bag
80-0316	Cap head screw M3x16	80-0316	杯头螺丝M3*16	Cap head screw M3x16	10pcs/bag

