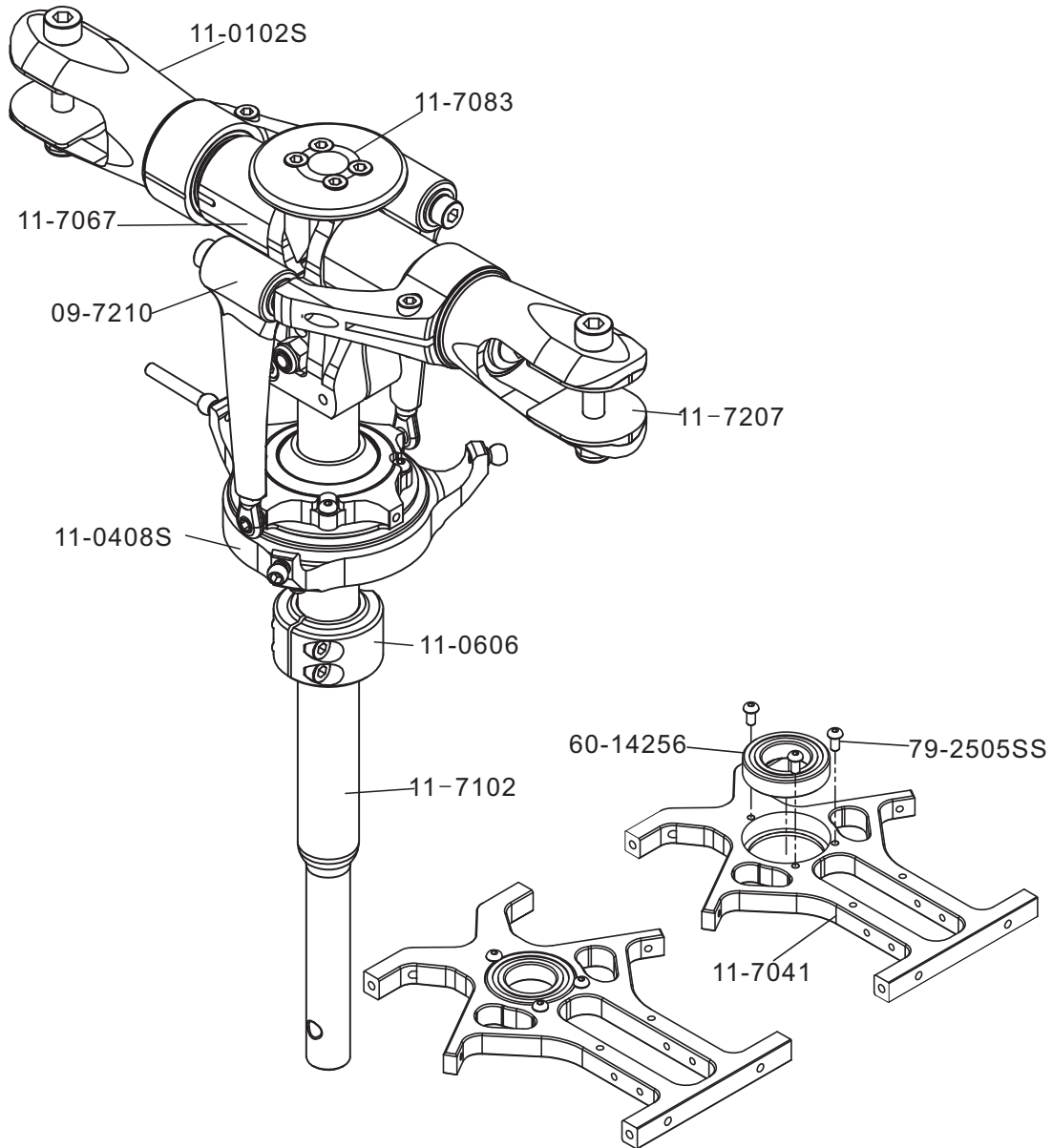
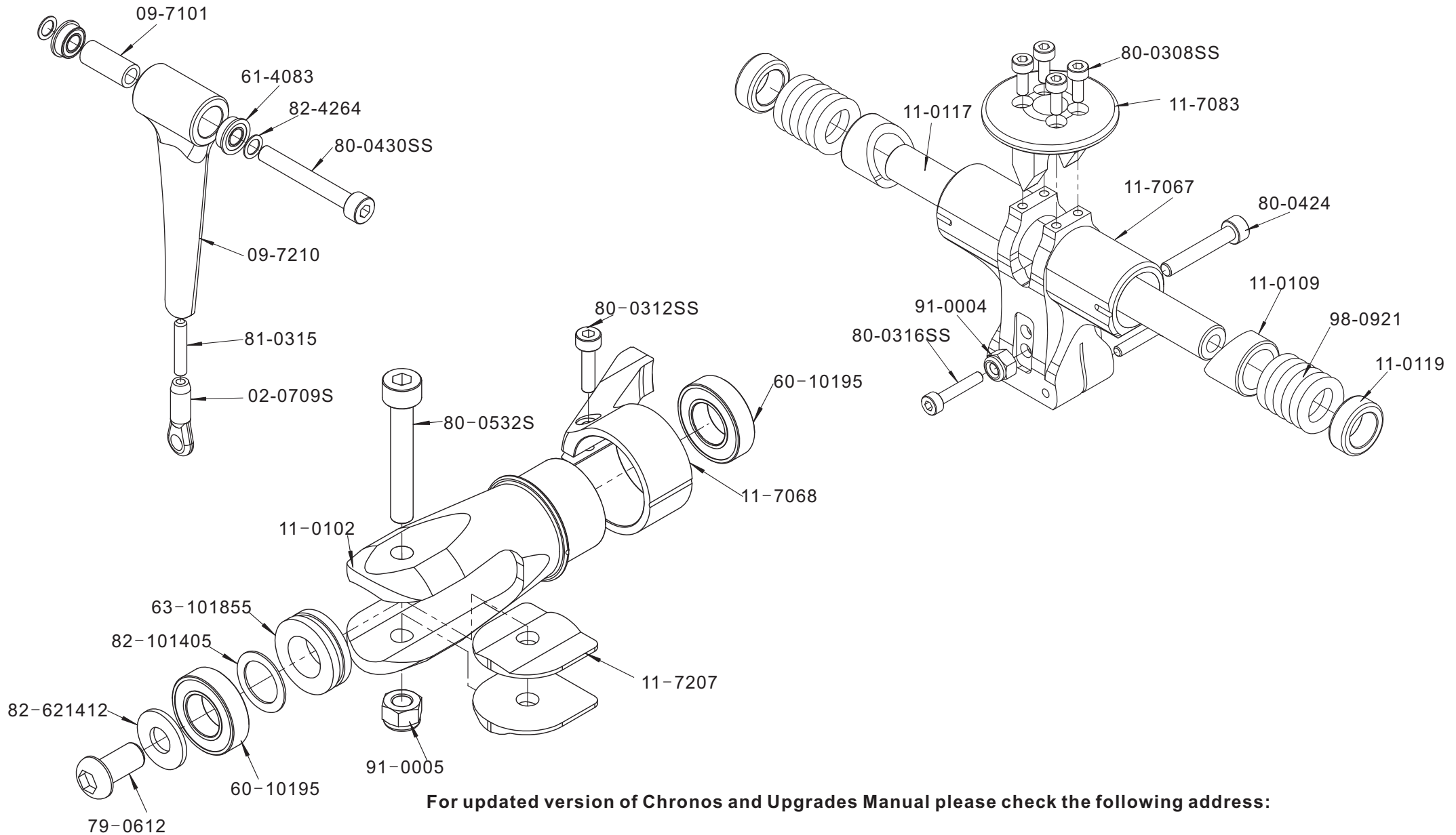


11-2000 Technical Upgrades



Part no.	Des	Quantity
02-0709S	Ball Link 2.5mm	2
09-7101	FBL Connector Collar	2
09-7210	FBL Arm Connector	2
11-0102	Blade Grip	2
11-0109	Dampner Adjuster	2
11-0117	7Chr Spindle	1
11-0119	Spindle Washer	2
11-0408S	7Chr Swashplate	1
11-0606	Main Shaft Lock	1
11-7041Z	7Chr Bearign Block	2
11-7067	7Chr Center Hub	1
11-7068	Blade Grip Arm	2
11-7083	Rotor Brake	1
11-7102	7Chr Main Shaft	1
11-7207	Blade Grip Washer	4
60-10195	Ball Bearing 10x19x5	4
60-14256	Ball bearing 14.25.4x6	2
61-4083	Flanged Bearings 4x8x3	4
63-101855	Thrust Bearing 10x18x5.5	2
79-0612	Button Head Bolt M6x12	2
79-2505SS	Button Head Stainless Bolt M2.5x5	6
80-0308SS	Cap Head Stainless Bolt M3x8	4
80-0312SS	Cap Head Stainless Bolt M3x12	4
80-0316SS	Cap Head Bolt M3x16	2
80-0424	Cap Head Bolt M4x24	1
80-0430SS	Cap Head Stainless Bolt M4x30	2
80-0532S	Shanked Bolt M5x32	2
81-0315	Set Screw M3x15	2
82-101405	Washer 10.2x14.5x0.5	2
82-4264	Washer 4x6x0.3	4
82-621412	Washer 6.2x14x1.2	2
91-0004	Nylon Nuts M4	1
91-0005	Nylon Nuts M5	2
98-0921	O Ring 16x3	12

Technical Upgrade Details



For updated version of Chronos and Upgrades Manual please check the following address:

www.compassmodel.com/download_chronos/7HV_to_Chronos_optical_upgrade.pdf
www.compassmodel.com/download_chronos/7HV_to_Chronos_technical_upgrade.pdf
www.compassmodel.com/download_chronos/Chronos_manual.pdf